

本产品手册资料由中油防爆印制，仅用于说明本系列产品的相关信息。中油随时可能因技术升级或采用更新的生产工艺而改进本手册有关内容，或对本手册印刷错误及不准确的信息进行必要的改进和更改，恕不另行通知。商家订货时请随时联系本公司，以证实有关信息。
This product manual is printed by CNPC explosion-proof, and is only used to describe the relevant information of this series of products. CNPC may improve the contents of this manual at any time due to technical upgrading or adoption of updated production process, or make mistakes in the printing of this manual. Accurate information is subject to improvement and change without prior notice. Please contact our company at any time to confirm the relevant information.

本画册采用生态纸印刷。珍惜资源，善待环境。
This album is printed on ecological paper. Cherish resources and be kind to the environment.



中油防爆电气(安徽)有限公司
ZHONG YOU EXPLOSION PROOF ELECTRICAL (ANHUI) CO., LTD.

地址：安徽省蒙城县经济开发区纬八路2号
Address: Anhui Province Mengcheng County economic development Zone Weiba Road No. 2
<http://www.zhongyou-ex.com>
Tel: 4008-606-956



© ZHONGYOU EXPLOSION-PROOF ELECTRICAL (ANHUI) CO., LTD.



中油防爆 ZHONGYOU EXPLOSION-PROOF

防爆电气选型手册 EXPLOSION-PROOF ELECTRICAL SELECTION MANUAL



防爆电气选型手册
Explosion-proof electrical selection manual



中油防爆电气(安徽)有限公司
ZHONG YOU EXPLOSION PROOF ELECTRICAL (ANHUI) CO., LTD.

目录

Directory

A 总介绍 General contents

公司介绍 Company profile

目录 Directory	01-10
公司概况 Company profile	11-12
行业应用 Industry application	13
客户群 Customer base	14
资质证书介绍 Qualification certificates	15-16
我们的销售网络 Our sales network	17-18

防爆小常识 Explosion-proof knowledge

防爆基础知识 Basic knowledge of explosion proof	19-22
防水防尘知识 Waterproof and dustproof knowledge	23-24
防爆系统安装 Explosion-proof system installation	25-26
照明知识 Lighting knowledge	27-30

B 照明灯具 Lighting fixtures

CN110-Q 系列防爆荧光灯 CN110-Q Series Explosion proof fluorescent lamp	001-006
CN110-Q LED系列防爆荧光灯 CN110-Q LED Series Explosion proof fluorescent lamp	007-012
CN110-D 系列防爆荧光灯 CN110-D Series Explosion proof fluorescent lamp	013-018
CN110 系列防爆荧光灯 CN110 Series Explosion proof fluorescent lamp	019-024
CN110-H 系列防爆环形荧光灯 CN110-H Series Explosion proof ring fluorescent lamp	025-027
CN110-G 系列防爆洁净荧光灯 CN110-G Series Explosion proof clean fluorescent lamp	028-031

目录

Directory

CN110-QT 系列井架专用防爆荧光灯 CN110-QT Series special Explosion proof fluorescent lamp for derrick	032-034
CN120 系列防爆LED照明灯 CN120 Series Explosion-proof LED lighting	035-040
CN120-I 系列防爆LED照明灯 CN120-I Series Explosion-proof LED lighting	041-044
CN120 系列防爆LED照明灯 CN120 Series Explosion-proof LED lighting	045-052
CN120-III 系列防爆LED应急灯 CN120-III Series Explosion proof LED emergency light	053-056
CN120-IV 系列防爆LED灯 CN120-IV Series Explosion-proof LED lamp	057-064
CN121 系列防爆LED灯 CN121 Series Explosion-proof LED lamps	065-068
CN122 系列防爆LED灯具 CN122 Series Explosion-proof LED lamps	069-072
CN125 系列智能型防爆LED灯具 CN125 Series of intelligent Explosion-proof LED lamps	073-076
CN151 系列防爆投光灯 CN151 Series Explosion-proof floodlights	077-084
CN152-I 系列防爆泛光灯 CN152-I Series Explosion-proof floodlight	085-092
CNAM 系列防爆路灯 CNAM Series Explosion-proof street lamp	093-094
CNAT 系列防爆高杆灯(IIB、IIC) CNAT Series Explosion-proof high pole lights (IIB、IIC)	095-100
CNAM-PV 防爆太阳能LED路灯 CNAM-PV Explosion-proof solar LED street lamp	101-102
太阳能路灯三防LED路灯 Solar street lamp Three-Proof LED Street lamp	103-104
CN160-I 防爆探照灯(手持式) CN160-I Explosion-proof searchlight (handheld)	105-106
CN160-II 防爆探照灯(手提式) CN160-II Explosion-proof searchlight (portable)	107-108
CN170 防爆行灯 CN170 Explosion-proof running lights	109-110
CN180 系列防爆应急灯 CN180 Series Explosion-proof emergency light	111-112
CN190-I 系列防爆标志 CN190-I Series Explosion-proof marker light	113-115
CN191 系列防爆视孔灯 CN191 Series Explosion-proof sight hole lamp	116-117
CN191-LED 系列防爆LED视孔灯 CN191-LED Series Explosion-proof LED sight hole lights	118-119
CN192-I 系列防爆航空障碍灯 CN192-I Series Explosion proof aviation obstruction lamp	120-122

目录

Directory

CN192-II 系列防爆航空障碍灯 CN192-II Series Explosion proof aviation obstruction lamp	123-125
CN193-I 系列防爆声光报警器 CN193-I Series Explosion proof sound and light alarm	126-127
CN193-II 系列防爆警示灯 CN193-II Series Explosion-proof warning lights	128-130

C 操作与控制 Operation and control

CN200-B 系列防爆操作柱(Ex db IIB+H2) CN200-B Series Explosion-proof operating column(Ex db IIB+H2)	01-04
CN200-S 系列防爆操作柱(GRP)工程塑料 CN200-S Series Explosion-proof operating column(GRP)engineering plastic	05-08
CN200-L 系列防爆操作柱(铝合金) CN200-L Series Explosion-proof operating column(aluminum alloy)	09-12
CN200-G 系列防爆操作柱(不锈钢) CN200-G Series Explosion-proof operating column(stainless steel)	13-16
CN200-Z 系列防爆主令控制器 CN200-Z Series Explosion-proof master controller	17-20
CN200-ZS-I 系列防爆主令控制器 CN200-ZS-I Series Explosion-proof master controller	21-24
CN200-ZS-II 系列防爆主令控制器 CN200-ZS-II Series Explosion-proof master controller	25-28
CN2010-B 系列指示灯组件 CN2010-B Series indicator light assembly	29-31
CN2010-C 系列指示灯组件 CN2010-C Series indicator light assembly	32-35
CN2020-B 系列防爆按钮 CN2020-B Series Explosion-proof button	36-39
CN2020-C 系列防爆控制按钮 CN2020-C Series Explosion-proof control button	40-43
CN2030-B 系列防爆转换开关 CN2030-B Series Explosion-proof transfer switch	44-47
CN2030-C 系列防爆转换开关 CN2030-C Series Explosion-proof transfer switch	48-49
CN2060 系列防爆电流表/电压表 CN2060 Series Explosion-proof ammeter/voltmeter	50-52
CN2070 系列防爆熔断器 CN2070 Series Explosion-proof fuse	53-54
CN2080 系列防爆电位器 CN2080 Series Explosion-proof potentiometer	55-56

目录

Directory

D 开关与负载 Switch and load

CN300-I 系列防爆照明开关 CN300-I Series Explosion-proof lighting switch	01-03
CN310 系列防爆行程开关 CN310 Series Explosion-proof travel switch	04-06
CN320 系列防爆马达保护装置(Ex db IIB) CN320 Series Explosion-proof motor protection device(Ex db IIB)	07-10
CN320 系列防爆马达保护装置(Ex db IIC) CN320 Series Explosion-proof motor protection device(Ex db IIC)	11-16
CN320-Q 系列防爆马达保护装置(Ex db IIB) CN320-Q Series Explosion-proof motor protection device(Ex db IIB)	17-20
CN320-Q 系列防爆马达保护装置(Ex db eb IIC) CN320-Q Series Explosion-proof motor protection device(Ex db eb IIC)	21-24

E 配电装置与箱体 Power distribution device and box

CN500 系列防爆照明配电装置(Ex db eb IIB) CN500 Series Explosion-proof lighting distribution device(Ex db eb IIB)	01-06
CN500 系列防爆照明配电装置(Ex db eb IIC) CN500 Series Explosion-proof lighting distribution device(Ex db eb IIC)	07-12
CN500 系列防爆照明动力配电装置(Ex db IIB+H2) CN500 Series Explosion-proof lighting power distribution device(Ex db IIB+H2)	13-20
CN510 系列防爆控制配电装置 CN510 Series Explosion-proof control power distribution device	21-26
CN510-G 系列防爆控制配电装置 CN510-G Series Explosion-proof control power distribution device	27-32
CN500-S 系列防爆照明动力配电装置(Ex db eb IIC) CN500-S Series Explosion-proof lighting power distribution device(Ex db eb IIC)	33-40
CN2081 系列防爆断路器模块 CN2081 Series Explosion-proof circuit breaker module	41-46
CN500-L 系列防爆壳体(Ex db IIB+H2)铝合金 CN500-L Series Explosion-proof housing(Ex db IIB+H2) aluminum alloy	47-50
CN500-E 系列防爆壳体(Ex eb)铝合金 CN500-E Series Explosion-proof housing(Ex eb) aluminum alloy	51-52
CN500-T 系列防爆壳体(Ex eb)不锈钢 CN500-T Series Explosion-proof housing(Ex eb) stainless steel	53-56
CN500-X 系列防爆壳体(Ex eb)工程塑料 CN500-X Series Explosion-proof housing(Ex eb) engineering plastics	57-58

目录

Directory

F 检修插接装置 Repairplug-in device

CN600 系列防爆移动配电盘 CN600 Series Explosion-proof mobile switchboard	01-04
CN610-L 系列防爆插接装置 CN610-L Series Explosion-proof plug-in device	05-10
CN610-S 系列防爆插接装置 CN610-S Series Explosion-proof plug-in device	11-18
CN610-F 系列防水防尘防腐插接装置 CN610-F Series waterproof, dustproof and anti-corrosion plug device	19-22
CN611-S 系列防爆连接器(IIC、IIIC) CN611-S Series Explosion-proof connector(IIC、IIIC)	23-26
CN611-L 系列防爆连接器(IIC、IIIC) CN611-L Series Explosion-proof connector(IIC、IIIC)	27-30

G 工业其它设备 Industrial other equipment

CN710 系列防爆正压配电柜 CN710 Series Explosion-proof positive voltage power distribution cabinet	01-06
CN720 系列防爆分析小屋 CN720 Series Explosion-proof analysis cabin	07-10
CN730 系列防爆窗式空调 CN730 Series Explosion-proof window air conditioner	11-12
CN730 系列防爆挂式空调(IIC) CN730 Series Explosion-proof hanging air conditioner(IIC)	13-15
CN730 系列防爆柜式空调 CN730 Series Explosion-proof cabinet air conditioner	16-18
CNBT 系列防爆轴流风机(IIB、IIC) CNBT Series Explosion-proof axial fan (IIB、IIC)	19-22
CNAF 系列防爆轴流风机(IIB) CNAF Series Explosion-proof axial fan(IIB)	23-24
CNFS 系列防爆壁式排风扇(IIB) CNFS Series Explosion-proof wall exhaust fan(IIB)	25-26
CNJR-□-I 系列机柜防爆加热器 CNJR-□-I Series Cabinet Explosion-proof heater	27-28
CNJR-□-II 系列机柜防爆加热器 CNJR-□-II Series Cabinet Explosion-proof heater	29-30
CN 系列仪表保温箱(不锈钢) CN Series of instrument insulation boxes(Stainless steel)	31-32
CN 系列仪表保温箱(玻璃钢) CN Series of instrument insulation boxes(Fiberglass reinforced plastic)	33-34

目录

Directory

H 电伴热配套设备 Electric heat tracing equipment

监控系统 Monitoring system

防爆计算机组件 Explosion-proof computer module	01-02
CN800-TL 软件控制 CN800-TL Software control	03-04
CN800-4G 无线防爆控制器 CN800-4G Wireless Explosion proof controller	05-06
CN800-LORA 扩频无线防爆控制器 CN800-LORA Spread spectrum wireless Explosion proof controller	07-08

配电控制 Power distribution control

CN800-Z(自控温)智能防爆温度控制配电箱 CN800-Z(Self controlled temperature)intelligent Explosion-proof temperature control distribution box	09-10
CN800-H(恒功率)智能防爆温度控制配电箱 CN800-H(Constant power)intelligent Explosion-proof temperature control distribution box	11-12
CN800-S(两路测温)智能防爆温度控制配电箱 CN800-S(Two way temperature measurement)intelligent Explosion-proof temperature control distribution box	13-14
CN800-X(一用一备)智能防爆温度控制配电箱 CN800-X(One normal one backup)intelligent Explosion-proof temperature control distribution box	15-16
CN800-Q(综合保护)智能防爆温度控制配电箱 CN800-Q(Integrated protection)intelligent Explosion-proof temperature control distribution box	17-18
CN800-PLC(编程控制)智能防爆温度控制配电箱 CN800-PLC(Programming control)intelligent Explosion-proof temperature control distribution box	19-20
CN800-MPC(多通道温度控制器)智能防爆温度控制配电箱 CN800-MPC(Multi-channel temperature controller)intelligent Explosion-proof temperature control distribution box	21-22
CN800-BT(远程控制)智能防爆温度控制配电箱 CN800-BT(Remote control)intelligent Explosion-proof temperature control distribution box	23-24
CN800-D(定时控制)智能防爆温度控制配电箱 CN800-D(Timing control)intelligent Explosion-proof temperature control distribution box	25-26
CN800-M(防爆模块)智能防爆温度控制配电箱 CN800-M(Explosion proof module)intelligent Explosion-proof temperature control distribution box	27-28
CNFX 智能型温度控制配电箱 CNFX Intelligent temperature control distribution box	29-30

目录

Directory

终端控制

Terminal control

CN8110-M(工程塑料)智能防爆温度控制器 CN8110-M(Engineering plastics) intelligent Explosion-proof temperature controller	31-32
CN8110-T(一体式)智能防爆温度控制器 CN8110-T(Integrated type) intelligent Explosion-proof temperature controller	33-34
CN810-I(铝合金)智能防爆温度控制器 CN810-I(Aluminum alloy) intelligent Explosion-proof temperature controller	35-36
CN810-II(铝合金)智能防爆温度控制器 CN810-II(Aluminum alloy) intelligent Explosion-proof temperature controller	37-38
CN8111-M(工程塑料)机械式防爆温度控制器 CN8111-M(Engineering plastic) mechanical Explosion-proof temperature controller	39-40
CN8111-NH(铝合金)机械式防爆温度控制器 CN8111-NH(Aluminum alloy) mechanical Explosion-proof temperature controller	41-42
CN810-F(铸铝)智能温度控制器 CN810-F(Cast aluminium) intelligent temperature controller	43-44
CN8111-F(铸铝)机械式温度控制器 CN8111-F(Cast aluminium) mechanical temperature controller	45-46

电伴热带

Electric heating cable

CN8100-Z 防爆自控电热带 CN8100-Z Explosion-proof automatic thermoelectric tropical zone	47-48
CN8100-H 防爆并联式恒功率电热带 CN8100-H Explosion-proof parallel constant power tropical zone	49-50
CN8100-HC 防爆串联式电热带 CN8100-HC Explosion-proof series electric tropical zone	51-52
CN8100-MI 防爆矿物绝缘加热电缆 CN8100-MI Explosion-proof mineral insulated heating cable	53-58

传感器

Sensor

CN830 系列防爆温度传感器 CN830 Series Explosion-proof temperature sensor	59
CN830-X 系列数显防爆温度传感器 CN830-X Series digital display Explosion-proof temperature sensor	60
CN830-T 系列防爆温度传感器 CN830-T Series Explosion-proof temperature sensor	61
CN830-S 系列防爆温度传感器 CN830-S Series Explosion-proof temperature sensor	62

目录

Directory

连接附件

Connecting accessories

CN850-100 系列防爆电源接线盒 CN850-100 Series Explosion-proof power box	63
CN850-120Z 系列防爆电源接线盒 CN850-120Z Series Explosion-proof power box	64
CN850-120Z 系列防爆电源接线盒 CN850-120Z Series Explosion-proof power box	65
CN850-130CT 系列防爆电源接线盒 CN850-130CT Series Explosion-proof power box	66
CN870-2 系列防爆接线盒 CN870-2 Series Explosion-proof junction box	67
CN870-3 系列防爆接线盒 CN870-3 Series Explosion-proof junction box	68
CN870-X-100 系列防爆尾端盒 CN870-X-100 Series Explosion-proof tail end box	69
CN870-X-200 系列防爆尾端盒 CN870-X-200 Series Explosion-proof tail end box	70
CN870-X 系列防爆尾端盒 CN870-X Series Explosion-proof tail end box	71
CN870-F 系列密封尾端 CN870-F Series sealing end	72
CN880-DL 系列防爆尾端装置 CN880-DL Series Explosion-proof end devices	73

智能仪表

Smart meter

CN-TL 系列智能温度控制器 CN-TL Series intelligent temperature controller	74-75
CN-TK 系列智能温度控制器 CN-TK Series intelligent temperature controller	76-77
CN1000 系列多通道智能温度控制器 CN1000 Series multi channel intelligent temperature controller	78-79
CN2000 系列PLC编程智能温度控制器 CN2000 Series PLC programming intelligent temperature controller	80-81
CN-MK 系列硅胶加热板 CN-MK Series silicone heating plate	82
CN-ML 系列机柜温度控制器 CN-ML Series cabinet temperature controller	83-84

目录

Directory

其它附件

Other accessories

CN900 防爆接线箱 CN900 Explosion-proof junction box	85
CN960 防爆挠性连接管 CN960 Explosion-proof flexible connecting pipe	86
CN970 防爆电缆引入装置 CN970 Explosion-proof cable entry device	86
CN961 防爆堵头 CN961 Explosion proof plug	87
CN962 防爆变径 CN962 Explosion-proof variable diameter	87
CN963 螺母 CN963 Nut	87
CN-HT-100 不锈钢扎带 CN-HT-100 Stainless steel tie	87
CN-TP-2869 护线套管 CN-TP-2869 Protective tube	88
CN-TLM-17589 铝箔胶带 CN-TLM-17589 Aluminum foil tape	88
CN-TR-17688 纤维胶带 CN-TR-17688 Fiber tape	88
CN-TDF-17068 电伴热标识牌 CN-TDF-17068 Electric heat signage	88
CN-XGL-8963 防水密封硅胶 CN-XGL-8963 Waterproof silicone sealant	88

安装连接设备 Install connected equipment

CN900 系列防爆接线箱(Ex db IIC) CN900 Series Explosion-proof junction box(Ex db IIC)	01-03
CN900 系列防爆防腐接线箱(Ex db IIC)不锈钢 CN900 Series Explosion-proof and anti-corrosion junction box(Ex db IIC) stainless steel	04-06
CN900 系列防爆接线箱(Ex db IIB) CN900 Series Explosion-proof junction box(Ex db IIB)	07-11
CN900 系列防爆防腐接线箱(Ex db IIB)不锈钢 CN900 Series Explosion-proof and anti-corrosion junction box(Ex db IIB) stainless steel	12-14
CN900-E 系列防爆接线箱(Ex eb IIC) CN900-E Series Explosion-proof junction box(Ex eb IIC)	15-18
CN900-S 系列防爆接线箱(Ex eb IIC) CN900-S Series Explosion-proof junction box(Ex eb IIC)	19-22

目录

Directory

CN900-T 系列防爆接线箱(Ex eb IIC) CN900-T Series Explosion-proof junction box(Ex eb IIC)	23-28
CN910 系列防爆接线盒 CN910 Series Explosion-proof junction box	29-33
CN910 系列接线盒 CN910 Series junction box	34-36
CN920 系列防爆穿线盒 CN920 Series Explosion-proof threading box	37-40
CN962 系列防爆隔离密封盒 CN962 Series Explosion-proof isolation sealed box	41-44
CN950 系列防爆接头 CN950 Series Explosion-proof joints	45-49
CN960 系列防爆挠性连接管 CN960 Series Explosion-proof flexible connecting pipe	50-53
电缆引入装置系列 Cable entry device series	54
CN970-I 系列防爆电缆引入装置(Ex eb) 工程塑料非铠装 CN970-I Series Explosion-proof cable entry device(Ex eb) engineering plastic non-armoured	55-56
CN970-I 系列防爆电缆引入装置(Ex eb IIC) 金属非铠装 CN970-I Series Explosion-proof cable entry device(Ex eb IIC) metal non-armoured	57-58
CN970-II 系列防爆电缆引入装置(Ex eb IIC) 金属铠装 CN970-II Series Explosion-proof cable entry device(Ex eb IIC) metal armor	59-62
CN970-III 系列电缆引入装置(Ex db IIC Ex eb IIC) 非铠装单密封 CN970-III Series cable entry device(Ex db IIC Ex eb IIC) non-armoured single seal	63-66
CN970-IV 系列电缆引入装置(Ex db IIC Ex eb IIC) 铠装双密封 CN970-IV Series cable entry device(Ex db IIC Ex eb IIC) armored double seal	67-70
CN970-V 系列电缆引入装置(Ex db IIC Ex eb IIC) 非铠装填料密封 CN970-V Series cable entry device(Ex db IIC Ex eb IIC) non-armoured packing seal	71-74
CN970-VI 系列电缆引入装置(Ex db IIC Ex eb IIC) 铠装填料密封 CN970-VI Series cable entry device(Ex db IIC Ex eb IIC) armored packing seal	75-78
附件 Annex	79-84



CN110-Q
系列防爆荧光灯
CN110-Q
Series Explosion proof
fluorescent lamp

IIB/IIC/Ex tb



C 产品概述 Product overview

- ◆ 防爆性能符合 -CENELEC标准 -IEC标准 -NEC标准。
- ◆ 适用于 1区和2区 21区和22区 II类, 1区和2区 II类, 2区, 气体组别 A, B, C, D。
- ◆ 本系列灯具外壳有 I型和 II型两种规格。
- ◆ 适用光源和光源功率: T8荧光灯: 18W x 1, 36W x 1, 18W x 2, 36W x 2。
- ◆ 本系列灯具外壳采用GRP材质, 透明罩为聚碳酸酯材质, 具有良好的防腐性能。
- ◆ 增安型外壳, 内装防爆元件。
- ◆ 灯具外壳与透明罩之间设置安全联锁机构, 在打开透明罩的同时, 可靠切断内部电源。
- ◆ 内装电子镇流器, 功率因素≥0.95。
- ◆ 应急装置具有过放电和过充电保护功能。
- ◆ 灯具具有“寿终整流效应保护(EOL)”功能。
- ◆ Explosion proof performance meets
- CENELEC standard - IEC standard - NEC standard
- ◆ Applicable to zone 1 and 2, zone 21 and 22, class II, zone 1 and 2, class II, zone 2, gas groups A, B, C, D.
- ◆ The shell of this series of lamps has two specifications: type I and type II.
- ◆ Applicable light source and light source power: T8 fluorescent lamp: 18wx 1, 36wx 1, 18wx 2, 36wx 2.
- ◆ The shell of this series of lamps is made of GRP, and the transparent cover is made of polycarbonate, which has good anti-corrosion performance.
- ◆ Increased safety enclosure with explosion-proof components.
- ◆ The installation interlocking mechanism is set between the lamp shell and the transparent cover to reliably cut off the internal power supply while opening the transparent cover.
- ◆ Built in electronic ballast, power factor ≥ 0.95.
- ◆ Emergency equipment has over discharge and over charge protection function.
- ◆ The lamp has the function of "end of life rectification effect protection(EOL)".

1区& 2区; 21区& 22区

zone1, zone2, zone21, zone22

CN110-Q 系列防爆荧光灯
CN110-Q Series Explosion proof fluorescent lamp

C 型号含义 Model meaning

CN110-Q □ × □ □ □
□ □ □ □ □

- 1 防爆荧光灯 Explosion proof fluorescent lamp
- 2 光源功率 Light source power(W)
- 3 光源数量 Number of light sources
- 4 安装方式 Installation method
D: 吊链式 Hanging chain type
G: 吊杆式 Boom type
L: 立杆式 Vertical pole
X: 吸顶式 Ceiling type
B: 壁式 Wall style
- 5 J: 应急照明(不装不注) Emergency lighting (no installation and no note)

C 技术参数 Technical parameter

防爆荧光灯 Explosion proof fluorescent lamp	CN110-Q□×□□	
防爆型式 Explosion proof type	Ex IIBG Ex db eb IIC T6 Gb	
气体防爆型式 Gas explosion proof type	Ex IIBD Ex tb IIC T80°C Db	
粉尘防爆型式 Dust explosion proof type		
执行标准 Executive standard	GB/T 3836.1, GB/T 3836.2, GB/T 3836.3, GB/T 3836.31; EN 60079-0, EN 60079-1, EN 60079-5, EN 60079-7, EN 60079-31, IEC 60079-0, IEC 60079-1, IEC 60079-5, IEC 60079-7, IEC 60079-31	
壳体材质 Shell material	GRP, 抗7J冲击, 耐腐蚀 GRP, 7J Impact resistance, corrosion resistance	
透明罩 Transparent cover	聚碳酸酯, 透光率达到90%, 抗7J冲击 Polycarbonate, transmittance up to 90%, anti-7J impact	
镇流器 Ballast	电子镇流器, 功率因数≥0.95, 具有短路、过载、灯管老化、灯管破损及不对称功率等保护功能。 Electronic ballast, power factor ≥ 0.95, with protection functions such as short circuit, overload, lamp aging, lamp damage and asymmetric power.	
外露紧固件 Exposed fasteners	不锈钢 Stainless steel	
联锁机构 Interlocking mechanism	CN310 防爆行程开关, 具有开盖断电功能。 CN310 Explosion-proof travel switch, with cover opening and power-off function.	
光源规格 Light source specification	T8灯管(出厂时配置灯管) T8 Lamp (Equipped with lamp tube at factory)	
光源功率 Light source power (W)	36Wx2 36Wx1	18Wx2 18Wx1
额定电压 Rated voltage	96~254V AC 50/60Hz	
防护类别 Protection category	II(防触电保护 Protection against electric shock)	
防护等级 Protection level	IP65、IP66	
周围环境温度 Ambient temperature	-20°C~+55°C	
接线端子 Terminal block	3x 1.5~4mm ² (L+N+PE)	
电缆引入口 Cable entry	4xΦ26.2 × M25 × 1.5电缆引入装置 Cable entry device (CN970-I Ex eb, 塑料Plastic), 2 × M25 × 1.5堵头Plugging	
适用电缆外径 Applicable cable outer diameter	Φ9~Φ16 (mm)	



G 技术参数 Technical parameter

防爆应急荧光灯 Explosion proof emergency fluorescent lamp	CN110-Q□×□□J
防爆型式 Explosion proof type	II2G Ex db eb IIC T6 Gb
气体防爆型式 Gas explosion proof type	II2D Ex tb IIIC T80°C Db
粉尘防爆型式 Dust explosion proof type	
执行标准 Executive standard	GB/T 3836.1, GB/T 3836.2, GB/T 3836.3, GB/T 3836.31; EN 60079-0, EN 60079-1, EN 60079-5, EN 60079-7, EN 60079-31, IEC 60079-0, IEC 60079-1, IEC 60079-5, IEC 60079-7, IEC 60079-31
壳体材质 Shell material	GRP, 抗7J冲击, 防腐 GRP, 7J Impact resistance, corrosion resistance
透明罩 Transparent cover	聚碳酸酯, 透光率达到90%, 抗7J冲击 Polycarbonate, transmittance up to 90%, anti-7J impact
镇流器 Ballast	电子镇流器, 功率因数≥0.95, 具有短路、过载、灯管老化、灯管破损及不对称功率等保护功能。 Electronic ballast, power factor ≥ 0.95, with protection functions such as short circuit, overload, lamp aging, lamp damage and asymmetric power.
外露紧固件 Exposed fasteners	不锈钢 Stainless steel
光源规格 Light source specification	T8灯管(出厂时配置灯管) T8 Lamp (Equipped with lamp tube at factory)
光源功率 Light source power (W)	36Wx2 36Wx1 18Wx2 18Wx1
应急功率 Emergency power (W)	36W x 1, 18W x 1
应急启动时间 Emergency start time	0.3s
充电时间 Charging time	24h
应急照明时间 Emergency lighting fixtures time	120min (180min可选 Optional)
额定电压 Rated voltage	96~254V AC 50/60Hz
防护类别 Protection category	II (防触电保护 Protection against electric shock)
防护等级 Protection level	IP65、IP66
周围环境温度 Ambient temperature	-20°C~+55°C
接线端子 Terminal block	3 x 1.5~4mm ² (L+N+PE)
电缆引入口 Cable entry	4 x Φ26; 2 x M25 x 1.5 电缆引入装置 Cable entry device (CN970-I), 2 x M25 x 1.5 堵头 Plugging
适用电缆外径 Applicable cable outer diameter	Φ9~Φ16 (mm)

G 选配表 Selection table

型号/订货代号 Model/Order code	光源功率(W) Light source power (W)	型号/订货代号 Model/Order code	光源功率(W) Light source power (W)
CN110-Q18 x 1LJ	18 x 1	CN110-Q18 x 2LJ	18 x 2
CN110-Q18 x 1XJ	18 x 1	CN110-Q18 x 2XJ	18 x 2
CN110-Q18 x 1BJ	18 x 1	CN110-Q18 x 2BJ	18 x 2
CN110-Q18 x 1DJ	18 x 1	CN110-Q18 x 2DJ	18 x 2
CN110-Q18 x 1GJ	18 x 1	CN110-Q18 x 2GJ	18 x 2
CN110-Q36 x 1LJ	36 x 1	CN110-Q36 x 2LJ	36 x 2
CN110-Q36 x 1XJ	36 x 1	CN110-Q36 x 2XJ	36 x 2
CN110-Q36 x 1BJ	36 x 1	CN110-Q36 x 2BJ	36 x 2
CN110-Q36 x 1DJ	36 x 1	CN110-Q36 x 2DJ	36 x 2
CN110-Q36 x 1GJ	36 x 1	CN110-Q36 x 2GJ	36 x 2

注: 上述产品包含“安装附件和备件表”。 Note: The above products include "installation accessories and spare parts list".

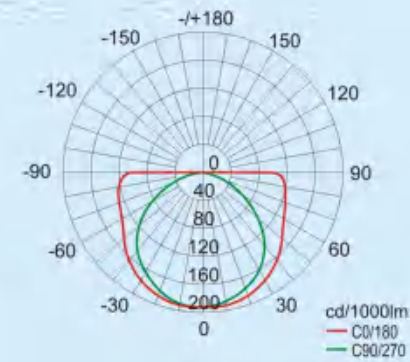
CN110-Q 系列防爆荧光灯
CN110-Q Series Explosion proof fluorescent lamp

G 配光曲线 (注: LED光通量数据来自色温为冷白光 5400~6500K的标准产品)

Light distribution curve (Note: LED luminous flux data comes from a standard product with a color temperature of 5400~6500K)

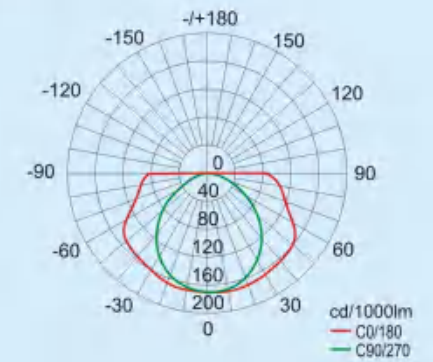
CN110-Q18x1□□

额定光通量:
Rated luminous flux:
18Wx1: 1300lm



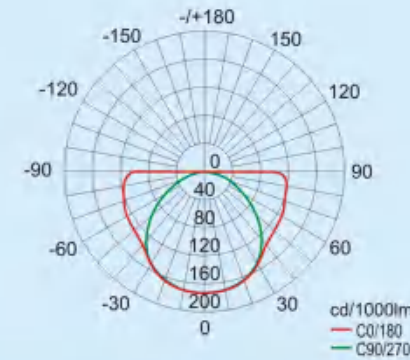
CN110-Q18x2□□

额定光通量:
Rated luminous flux:
18Wx2: 2600lm



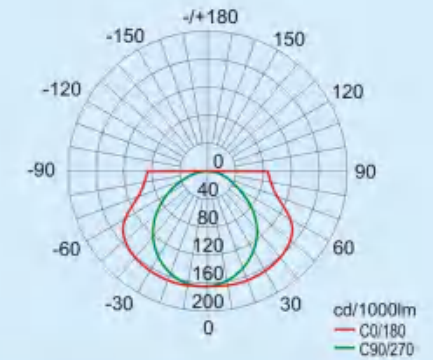
CN110-Q36x1□□

额定光通量:
Rated luminous flux:
36Wx1: 3250lm



CN110-Q36x2□□

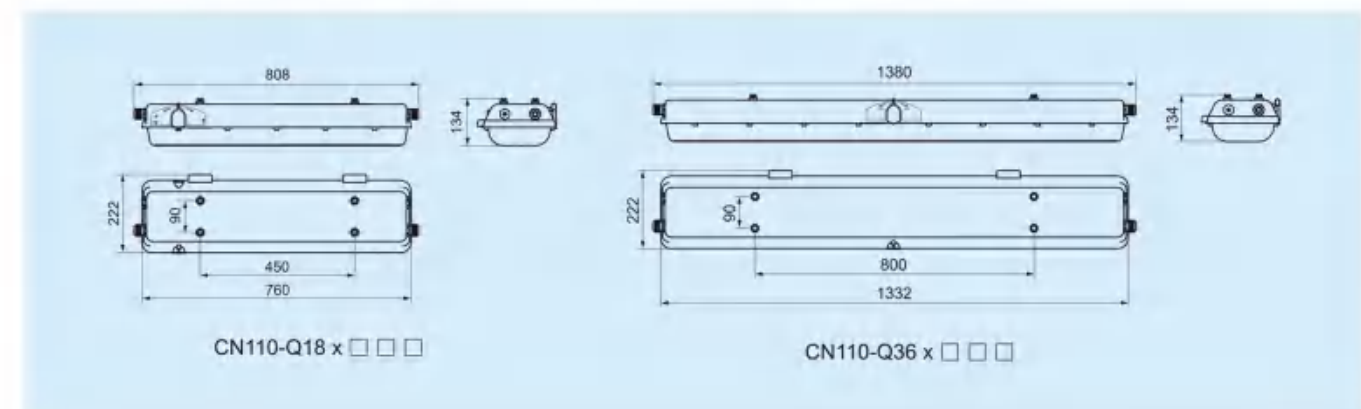
额定光通量:
Rated luminous flux:
36Wx2: 6500lm



我们可以根据用户要求, 模拟现场环境和条件, 详细计算并提供现场照明设计方案及所有照明参数。

We can simulate the site environment and conditions according to the user's requirements, calculate and provide the site Lighting fixtures design scheme and all lighting fixtures parameters in detail.

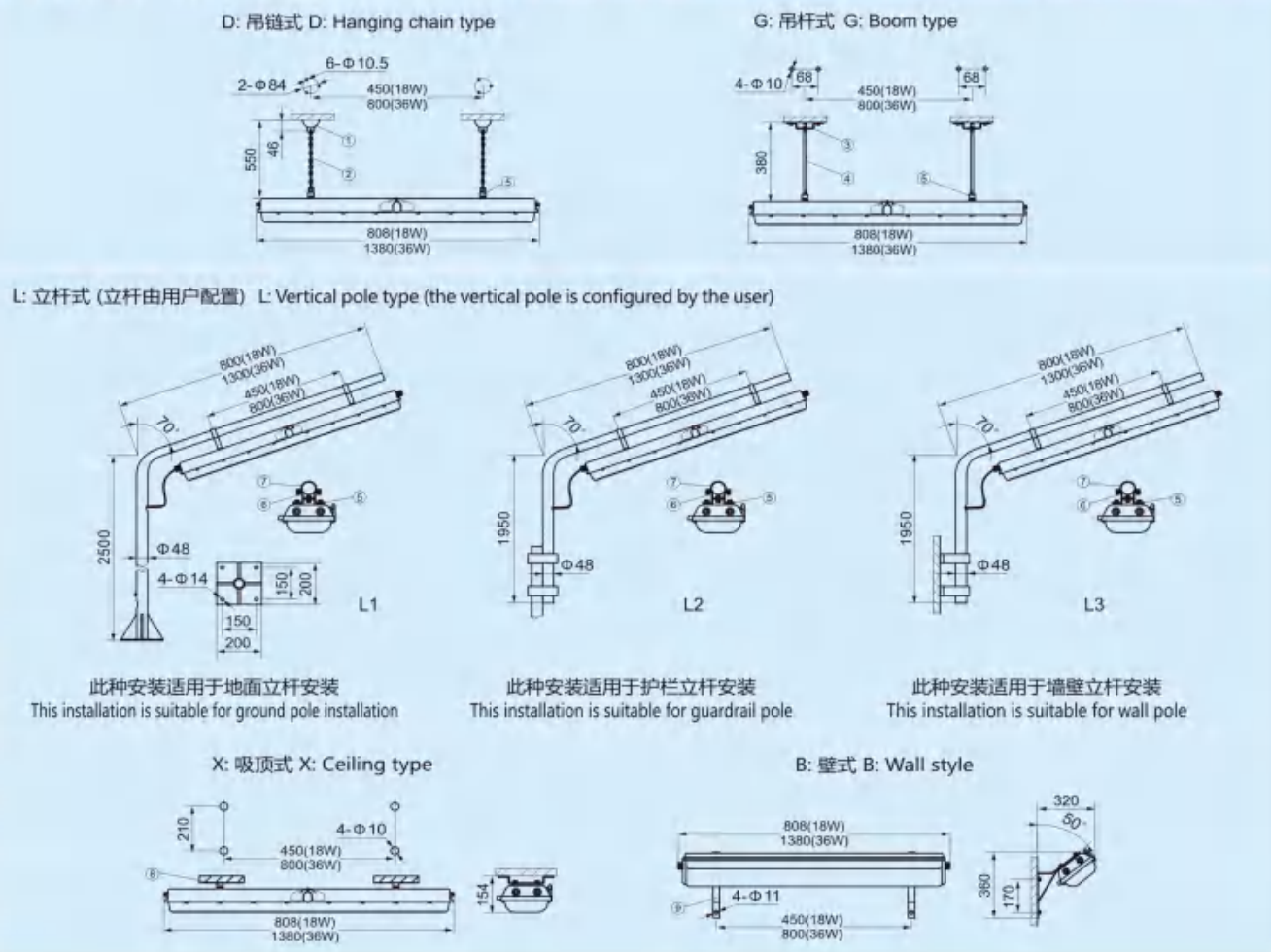
G 外形示意图(所有尺寸单位为mm)-可修改 Outline diagram(all dimensions in mm)-can be modified





G 安装方案举例(所有尺寸单位为mm)-可修改 Example of installation plan(all dimensions in mm)-can be modified

用户可参考下列安装方式并根据适用现场情况进行安装 Users can refer to the following installation methods and install according to the applicable site conditions



G 安装附件和备件表 按照用户订货选择的安装方式, 供货将提供以下安装配件

Installation accessories and spare parts table According to the installation method selected by the user, the supply will provide the following installation accessories

安装方式 Installation method	名称 Name	数量 Qty	说明 Instruction
D: 吊链式 D: Hanging chain type	①. 吸盘 ①. Suction cup	2	3-φ10.5 φ84
	②. 链条 ②. Chain	2	长度 Length: 450mm
	⑤. 支架 ⑤. Bracket	2	不锈钢, 同吊杆式安装配件 Stainless steel, same as boom-type mounting accessories
G: 吊杆式 G: Boom type	③. 支架 ③. Bracket	2	88 φ8.5 2-φ10 36 不锈钢 Stainless steel
	④. M8 螺杆 ④. M8 Screw	2	不锈钢, 长度: 350mm Stainless steel, length: 350mm
	⑤. 支架 ⑤. Bracket	2	88 φ9 2-φ10 20 不锈钢 Stainless steel

注: 表中无配置的附件, 需用户自行配置。 Note: For attachments that are not configured in the table, which need to be configured by the user.

CN110-Q 系列防爆荧光灯
CN110-Q Series Explosion proof fluorescent lamp

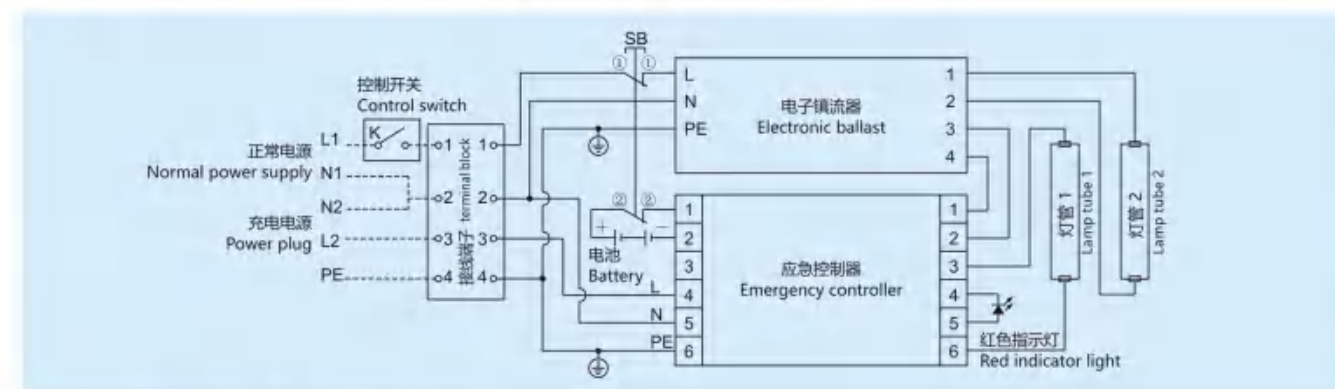
G 安装附件和备件表 按照用户订货选择的安装方式, 供货将提供以下安装配件

Installation accessories and spare parts table According to the installation method selected by the user, the supply will provide the following installation accessories

安装方式 Installation method	名称 Name	数量 Qty	说明 Instruction
L: 立杆式 L: Vertical pole	⑥. 支架 ⑥. Bracket	2	84 2-φ9 30 30 不锈钢 Stainless steel
	⑦. G1 1/2"管夹 ⑦. G1 1/2" Pipe clamp	2	R24 2-φ9 84 33 30 不锈钢 Stainless steel
X: 吸顶式 X: Ceiling type	⑤. 支架 ⑤. Bracket	2	不锈钢, 同吊杆式安装 Stainless steel, same as boom installation
	⑧. 支架 ⑧. Bracket	2	39 210 不锈钢 Stainless steel
B: 壁式 B: Wall type	⑨. 壁式支架 ⑨. Wall bracket	2	不锈钢, 钢板焊接 Stainless steel, steel plate welding

注: 表中无配置的附件, 需用户自行配置。 Note: The accessories that are not configured in the table need to be configured by the user.

G 接线图示(CN110-Q□x□□J, T8荧光灯) Wiring diagram(CN110-Q□x□□J, T8 fluorescent lamp)



注: 单管灯具无灯管2。 Note: There is no tube 2 for single-tube lamps.

G 附件 Annex

图形 Fig shapes	名称 Name
	防爆行程开关 Explosion-proof limit switch
	开锁钥匙 Unlock key
	灯座(带导线) Lamp holder (with wire)
	电子镇流器(T8/36W) Electronic Ballast (T8/36W)
	电子镇流器(T8/18W) Electronic Ballast (T8/18W)
	应急控制器(带电池)(T8/36W) Emergency controller (with battery) (T8/36W)
	应急控制器(带电池)(T8/18W) Emergency controller (with battery) (T8/18W)



CN110-Q LED 系列防爆荧光灯
CN110-Q LED Series Explosion proof fluorescent lamp

IIB/IIC/Ex tb



G 产品概述 Product overview

- ◆ 防爆性能符合 -CENELEC标准 -IEC标准 -NEC标准
- ◆ 适用于 1区和2区 21区和22区 II类, 1区和2区 II类, 2区, 气体组别 A, B, C, D.
- ◆ 本系列灯具外壳有 I型和 II型两种规格。
- ◆ 适用光源和光源功率: 内置式电源, LED光源和驱动电源一体式: 9W×1, 18W×1, 9W×2, 18W×2。外置式电源, LED光源和驱动电源分体式: 14W×1, 14W×2, 28W×1, 28W×2。
- ◆ 本系列灯具外壳采用GRP材质, 透明罩为聚碳酸酯材质, 具有良好的防腐性能。
- ◆ 增安型外壳, 内装防爆元件。
- ◆ 灯具外壳与透明罩之间设置安全连锁机构, 在打开透明罩的同时, 可靠切断内部电源。
- ◆ 内装LED驱动电源, 宽电压输入, 恒流恒压输出, 功率因素≥0.95。
- ◆ 应急装置具有过放电和过充电保护功能。
- ◆ Explosion-proof performance conforms to -CENELEC standard -IEC standard -NEC standard
- ◆ Applicable to zone 1 and zone 2 zone 21 and zone 22 class II, zone 1 and zone 2 class II, zone 2, gas group A, B, C, D.
- ◆ The housing of this series of lamps has two specifications of Type I and Type II.
- ◆ Applicable light source and light source power: built-in power supply, integrated LED light source and driving power supply: 9W×1, 18W×1, 9W×2, 18W×2. External power supply, separate LED light source and driving power supply: 14W×1, 14W×2, 28W×1, 28W×2.
- ◆ The housing of this series of lamps is made of GRP material, and the transparent cover is made of polycarbonate material, which has good anti-corrosion performance.
- ◆ Increased safety enclosure with explosion-proof components inside.
- ◆ A safety interlock mechanism is set between the lamp housing and the transparent cover, and the internal power supply can be reliably cut off when the transparent cover is opened.
- ◆ Built-in LED drive power supply, wide voltage input, constant current and constant voltage output, power factor ≥ 0.95.
- ◆ The emergency device has over-discharge and over-charge protection functions.

1区& 2区; 21区& 22区

zone1, zone2, zone21, zone22

CN110-Q LED系列防爆荧光灯
CN110-Q LED Series Explosion proof fluorescent lamp

G 型号含义 Model meaning

CN110-Q □□□ × □□□	
□	□ □ □ □ □ □ □ □
□	防爆荧光灯 Explosion proof fluorescent lamp
□	LED: 仅适用于LED光源 Only for LED light source
□	光源功率 Light source power(W)
□	光源数量 Number of light sources
□	安装方式 Installation method
D:	吊链式 Hanging chain type
G:	吊杆式 Boom type
L:	立杆式 Vertical pole
X:	吸顶式 Ceiling type
B:	壁式 Wall style
□	J: 应急照明(不装不注) Emergency lighting(no installation and no note)

G 技术参数 Technical parameter

防爆LED荧光灯 Explosion proof LED fluorescent lamp	CN110-Q LED □×□□□
防爆型式 Explosion proof type	□ II2G Ex db IIC T6 Gb
气体防爆型式 Gas explosion proof type	□ II2D Ex tb IIIC T80°C Db
粉尘防爆型式 Dust explosion proof type	
执行标准 Executive standard	GB/T 3836.1, GB/T 3836.2, GB/T 3836.31; EN 60079-0, EN 60079-1, EN 60079-5, EN 60079-7, EN 60079-28, EN 60079-31, IEC 60079-0, IEC 60079-1, IEC 60079-5, IEC 60079-7, IEC 60079-28, IEC 60079-31
壳体材质 Shell material	GRP, 抗7J冲击, 防腐 GRP, 7J Impact resistance, corrosion resistance
透明罩 Transparent cover	聚碳酸酯, 透光率达到90%, 抗7J冲击 Polycarbonate, transmittance up to 90%, anti-7J impact
LED驱动电源 Driving power supply	宽电压输入, 恒流恒压输出, 功率因数≥0.95, 具有分流、恒流、防浪涌、过电流、开路、短路、抗电磁干扰等保护功能。 Wide voltage input, constant current and constant voltage output, power factor ≥ 0.95, with shunt, constant current, anti-surge, over-current, open circuit, short circuit, anti-electromagnetic interference and other protection functions.
外露紧固件 Exposed fasteners	不锈钢 Stainless steel
光源规格 Light source specification	LED模块 (出厂时配置灯管) Module ((Equipped with lamp tube at factory)
光源功率 Light source power (W)	9W×1 18W×1 9W×2 18W×2 (LED光源和驱动电源一体式) 14W×1 28W×1 14W×2 28W×2 (LED光源和驱动电源分体式)
色温 Color temperature (CCT)	5000~5700K 注: 常规产品光源为冷白光, 如需暖白(2700~3500K)或自然白(4700~5400K)可定制, 下单时注明。 Note: Conventional product light source is cold white. If warm white (2700 ~ 3500K) or natural white (4700 ~ 5400K) is required, it can be customized. Please indicate when placing an order.
额定电压 Rated voltage	内置式电源, LED光源和驱动电源一体式 Built-in power supply, LED light source and drive power integrated: 170~264V AC 50/60Hz 外置式电源, LED光源和驱动电源分体式 External power supply, LED light source and drive power split type: 100~277V AC 50/60Hz, 200~250V DC
防护等级 Protection level	IP65, IP66
周围环境温度 Ambient temperature	-20°C ~ +55°C
接线端子 Terminal block	3 × 1.5~4mm ² (L+N+PE)
电缆引入口 Cable entry	4 × Φ26: 2 × M25 × 1.5电缆引入装置 Cable entry device (CN970-I), 2 × M25 × 1.5堵头 Plugging
适用电缆外径 Applicable cable outer diameter	Φ9~Φ16 (mm)
应急控制器 Emergency controller	专用应急控制器及电池组, 过放电和过充电保护功能。 Special emergency controller and battery pack, over discharge and over charge protection function.
应急功率 Emergency power (W)	14W × 1, 28W × 1
应急启动时间 Emergency start time	0.3s
充电时间 Charging time	24h
应急照明时间 Emergency lighting fixtures time	120min (180min可选 Optional)



C 选配表 Selection table

灯管类型 Lamp type	LED光源和驱动电源一体式 LED Light source and drive power integrated	LED光源和驱动电源分体式 LED Light source and driving power supply are separated
防爆型式 Explosion proof type	II2G Ex db IIC T6 Gb II2D Ex tb IIIC T80°C Db	II2G Ex db IIC T6 Gb II2D Ex tb IIIC T80°C Db
光源功率 (W) Light source power (W)	9W×1, 18W×1, 9W×2, 18W×2	14W x 1, 28W x 1, 14W x 2, 28W x 2

C 选配表 (内置式电源, LED光源和驱动电源一体式) Optional table (built-in power supply, integrated LED light source and drive power supply)

型号/订货代号 Model/Order code	光源功率(W) Light source power (W)	型号/订货代号 Model/Order code	光源功率(W) Light source power (W)	型号/订货代号 Model/Order code	光源功率(W) Light source power (W)	型号/订货代号 Model/Order code	光源功率(W) Light source power (W)
CN110-Q LED14 x 1L	14 x 1	CN110-Q LED14 x 1LJ	14 x 1	CN110-Q LED14 x 2L	14 x 2	CN110-Q LED14 x 2LJ	14 x 2
CN110-Q LED14 x 1X	14 x 1	CN110-Q LED14 x 1XJ	14 x 1	CN110-Q LED14 x 2X	14 x 2	CN110-Q LED14 x 2XJ	14 x 2
CN110-Q LED14 x 1B	14 x 1	CN110-Q LED14 x 1BJ	14 x 1	CN110-Q LED14 x 2B	14 x 2	CN110-Q LED14 x 2BJ	14 x 2
CN110-Q LED14 x 1D	14 x 1	CN110-Q LED14 x 1DJ	14 x 1	CN110-Q LED14 x 2D	14 x 2	CN110-Q LED14 x 2DJ	14 x 2
CN110-Q LED14 x 1G	14 x 1	CN110-Q LED14 x 1GJ	14 x 1	CN110-Q LED14 x 2G	14 x 2	CN110-Q LED14 x 2GJ	14 x 2
CN110-Q LED28 x 1L	28 x 1	CN110-Q LED28 x 1LJ	28 x 1	CN110-Q LED28 x 2L	28 x 2	CN110-Q LED28 x 2LJ	28 x 2
CN110-Q LED28 x 1X	28 x 1	CN110-Q LED28 x 1XJ	28 x 1	CN110-Q LED28 x 2X	28 x 2	CN110-Q LED28 x 2XJ	28 x 2
CN110-Q LED28 x 1B	28 x 1	CN110-Q LED28 x 1BJ	28 x 1	CN110-Q LED28 x 2B	28 x 2	CN110-Q LED28 x 2BJ	28 x 2
CN110-Q LED28 x 1D	28 x 1	CN110-Q LED28 x 1DJ	28 x 1	CN110-Q LED28 x 2D	28 x 2	CN110-Q LED28 x 2DJ	28 x 2
CN110-Q LED28 x 1G	28 x 1	CN110-Q LED28 x 1GJ	28 x 1	CN110-Q LED28 x 2G	28 x 2	CN110-Q LED28 x 2GJ	28 x 2

注: 上述产品包含“安装附件和备件表”中对应的安装附件。

Note: The above products include the corresponding installation accessories in the "installation accessories and spare parts list".

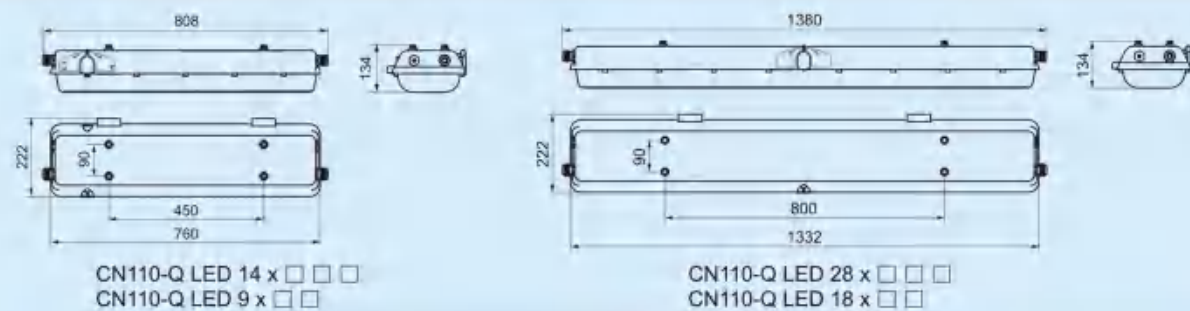
C 选配表 (外置式电源, LED光源和驱动电源分体式) Optional table (external power supply, LED light source and drive power split type)

型号/订货代号 Model/Order code	光源功率(W) Light source power (W)	型号/订货代号 Model/Order code	光源功率(W) Light source power (W)
CN110-Q LED9 x 1L	9 x 1	CN110-Q LED9 x 2L	9 x 2
CN110-Q LED9 x 1X	9 x 1	CN110-Q LED9 x 2X	9 x 2
CN110-Q LED9 x 1B	9 x 1	CN110-Q LED9 x 2B	9 x 2
CN110-Q LED9 x 1D	9 x 1	CN110-Q LED9 x 2D	9 x 2
CN110-Q LED9 x 1G	9 x 1	CN110-Q LED9 x 2G	9 x 2
CN110-Q LED18 x 1L	18 x 1	CN110-Q LED18 x 2L	18 x 2
CN110-Q LED18 x 1X	18 x 1	CN110-Q LED18 x 2X	18 x 2
CN110-Q LED18 x 1B	18 x 1	CN110-Q LED18 x 2B	18 x 2
CN110-Q LED18 x 1D	18 x 1	CN110-Q LED18 x 2D	18 x 2
CN110-Q LED18 x 1G	18 x 1	CN110-Q LED18 x 2G	18 x 2

注: 上述产品包含“安装附件和备件表”中对应的安装附件。

Note: The above products include the corresponding installation accessories in the "installation accessories and spare parts list".

C 外形示意图 (所有尺寸单位为mm) - 可修改 Outline diagram (all dimensions in mm)-can be modified



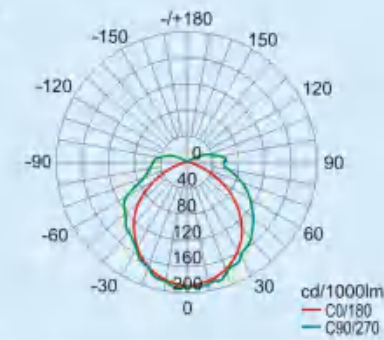
CN110-Q LED系列防爆荧光灯
CN110-Q LED Series Explosion proof fluorescent lamp

C 配光曲线(注: LED光通量数据来自色温为冷白光 5000~5700K的标准产品)

Light distribution curve (Note: LED luminous flux data comes from standard products with a color temperature of 5000~5700K)

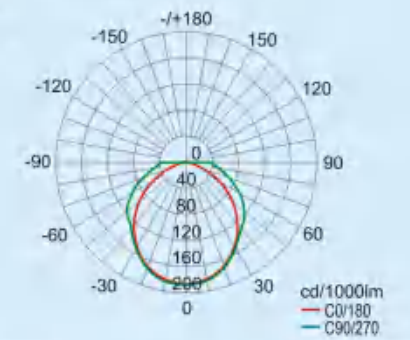
CN110-Q LED 14x1 □ □

额定光通量:
Rated luminous flux:
LED 14Wx1: 1890lm



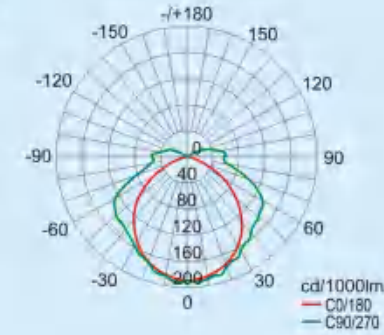
CN110-Q LED 28x1 □ □

额定光通量:
Rated luminous flux:
LED 28Wx1: 3780lm



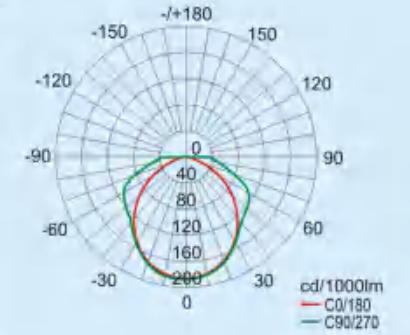
CN110-Q LED 14x2 □ □

额定光通量:
Rated luminous flux:
LED 14Wx2: 3780lm



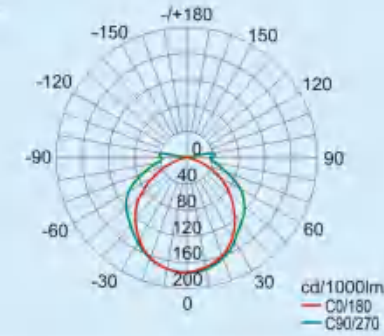
CN110-Q LED 28x2 □ □

额定光通量:
Rated luminous flux:
LED 28Wx2: 7560lm



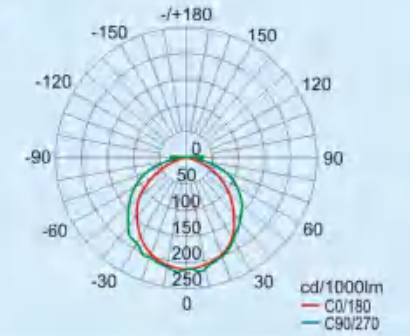
CN110-Q LED 9x1 □

额定光通量:
Rated luminous flux:
LED 9Wx1: 1080lm



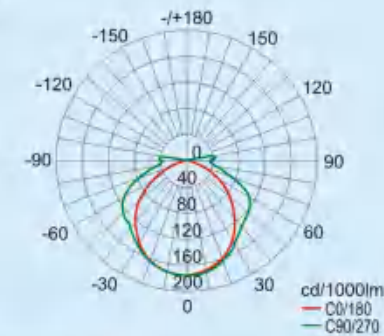
CN110-Q LED 18x1 □

额定光通量:
Rated luminous flux:
LED 18Wx1: 2160lm



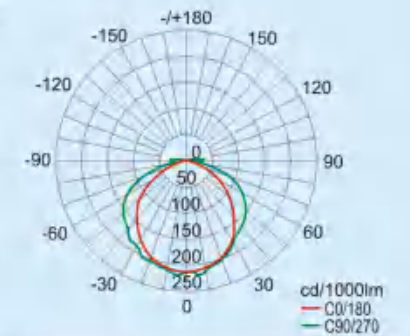
CN110-Q LED 9x2 □

额定光通量:
Rated luminous flux:
LED 9Wx2: 2160lm



CN110-Q LED 18x2 □

额定光通量:
Rated luminous flux:
LED 18Wx2: 4320lm



我们可以根据用户要求, 模拟现场环境和条件, 详细计算并提供现场照明设计方案及所有照明参数。

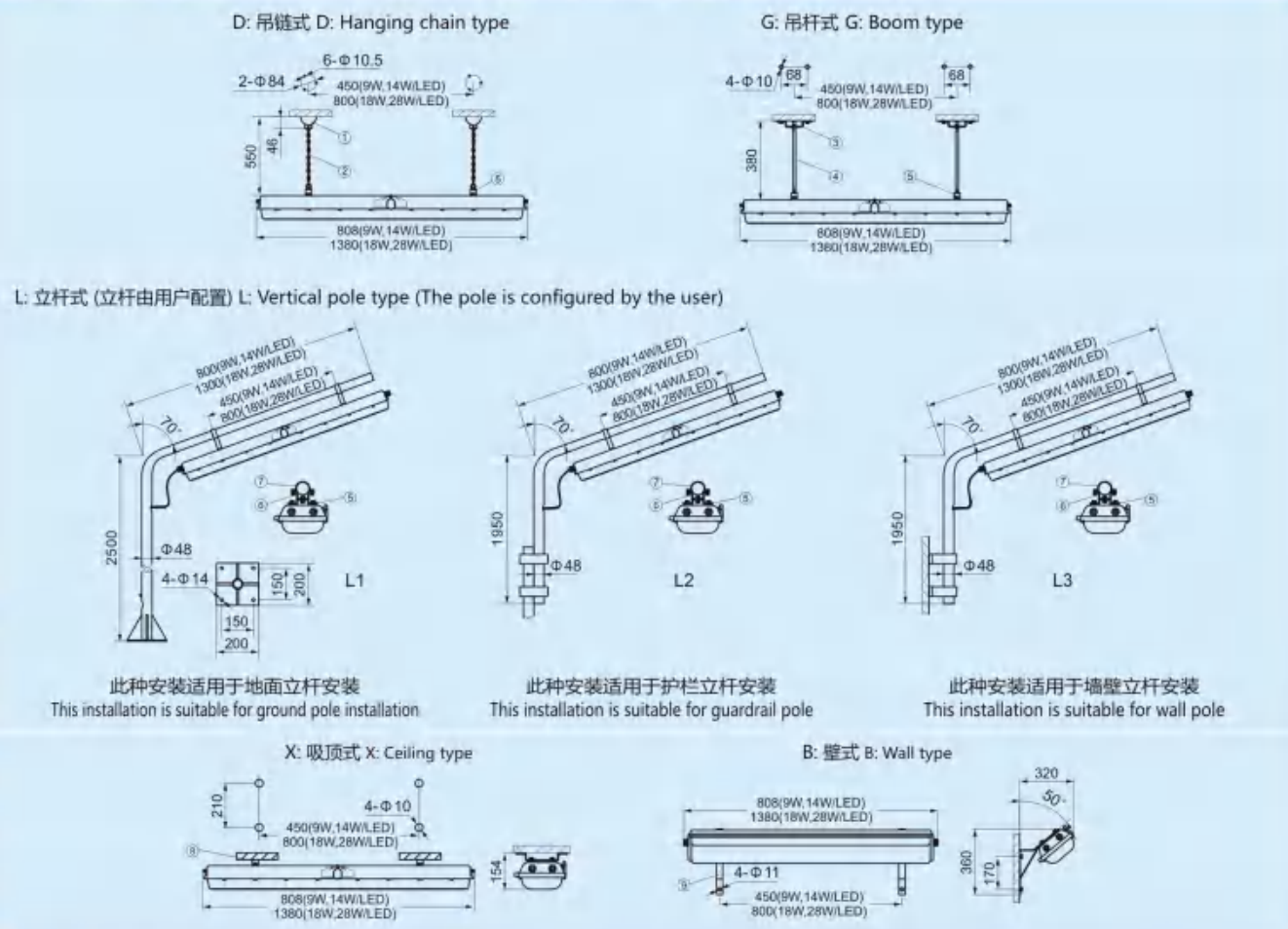
We can simulate the on-site environment and conditions according to user requirements, calculate in detail and provide on-site lighting design plans and all lighting parameters.



C 安装方案举例 (所有尺寸单位为mm) - 可修改 Example of installation plan (all dimensions in mm)-can be modified

用户可参考下列安装方式并根据适用现场情况进行安装

Users can refer to the following installation methods and install according to the applicable site conditions



C 安装附件和备件表 Mounting accessories and spare parts list

按照用户订货选择的安装方式, 供货将提供以下安装配件

According to the installation method selected by the user, the supply will provide the following installation accessories

安装方式 Installation method	附件 Annex		
	名称 Name	数量 Qty	说明 Instruction
D: 吊链式 D: Hanging chain type	①. 吸盘 ①. Suction cup	2	3-φ10.5 φ84
	②. 链条 ②. Chain	2	长度 Length: 450mm
	⑤. 支架 ⑤. Bracket	2	不锈钢, 同吊杆式安装配件 Stainless steel, same as boom mounting accessories
G: 吊杆式 G: Boom type	③. 支架 ③. Bracket	2	φ8.5 2-φ10 36 不锈钢 Stainless steel
	④. M8 螺杆 ④. M8 Screw	2	不锈钢, 长度: 350mm Stainless steel, length: 350mm
	⑤. 支架 ⑤. Bracket	2	φ9 2-φ10 20 不锈钢 Stainless steel

注: 表中无配置的附件, 需用户自行配置。Note: The accessories that are not configured in the table need to be configured by the user.

C 安装附件和备件表 Mounting accessories and spare parts list

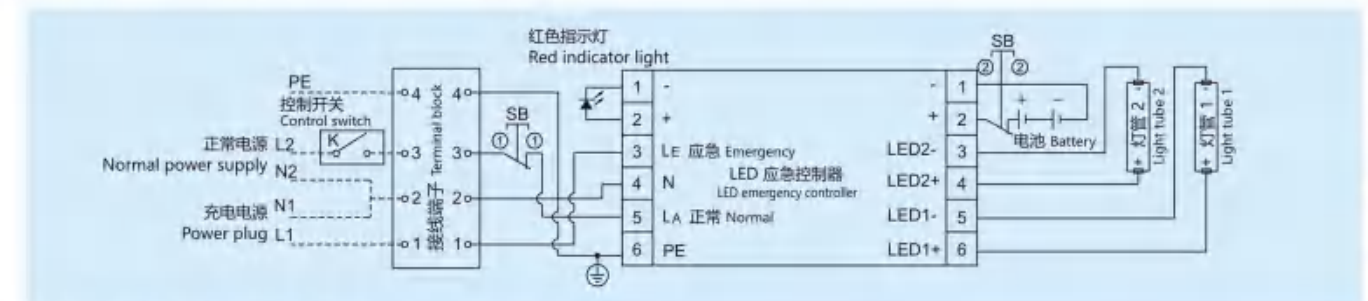
按照用户订货选择的安装方式, 供货将提供以下安装配件

According to the installation method selected by the user, the supply will provide the following installation accessories

安装方式 Installation method	附件 Annex		
	名称 Name	数量 Qty	说明 Instruction
L: 立杆式 L: Vertical pole	⑥. 支架 ⑥. Bracket	2	B4 2-φ9 30 30 不锈钢 Stainless steel
	⑦. G1 1/2"管夹 ⑦. G1 1/2" Pipe clamp	2	R24 2-φ9 84 33 30 不锈钢 Stainless steel
X: 吸顶式 X: Ceiling type	⑤. 支架 ⑤. Bracket	2	不锈钢, 同吊杆式安装 Stainless steel, same as boom installation
	⑧. 支架 ⑧. Bracket	2	30 210 10 不锈钢 Stainless steel
B: 壁式 B: Wall type	⑨. 壁式支架 ⑨. Wall bracket	2	不锈钢, 钢板焊接 Stainless steel, steel plate welding

注: 表中无配置的附件, 需用户自行配置。Note: The accessories that are not configured in the table need to be configured by the user.

C 接线图示 (CN110-Q LED□x□□J, LED灯) Wiring diagram (CN110-Q LED□x□□J, LED light)



注: 单管灯具无灯管2。Note: There is no tube 2 for single-tube lamps.

C 附件 Annex

名称 Name
LED 驱动电源 (LED/14W) LED drive power (LED/14W)
LED 驱动电源 (LED/28W) LED drive power (LED/28W)
LED 应急控制器 (LED/14W) LED emergency controller (LED/14W)
LED 应急控制器 (LED/28W) LED emergency controller (LED/28W)
防爆LED灯管 (LED/9W) Explosion-proof LED tube (LED/9W)
防爆LED灯管 (LED/18W) Explosion-proof LED tube (LED/18W)
防爆LED灯管 (LED/14W) Explosion-proof LED tube (LED/14W)
防爆LED灯管 (LED/28W) Explosion-proof LED tube (LED/28W)



CN110-D
系列防爆荧光灯
CN110-D
Series Explosion proof
fluorescent lamp

II B/II C/Ex tb



C 产品概述 Product overview

- ◆ 防爆性能符合 -CENELEC标准 -IEC标准 -NEC标准
- ◆ 适用于 1区和2区 21区和22区 II类, 1区和2区 II类, 1区, 气体组别 B, C, D
- ◆ 本系列灯具具有 I, II, III 3种壳体类型, 适配光源如下:
I型: T8 18W x 2; T5 14W x 2; LED 9W x 2.
II型: T8 36W x 2; T5 28W x 2; LED 18W x 2.
III型: T8 58W x 2; T5 35W x 2; LED 28W x 2.
- ◆ 玻璃管抗4J冲击。
- ◆ 无铜铝外壳, 表面喷塑。
- ◆ 内装电子镇流器, 宽电压输入, 启动快, 性能稳定, 功率因数≥0.95。
- ◆ 内装LED驱动电源, 宽电压输入, 恒流恒压输出, 功率因素≥0.95。
- ◆ 灯具具有“寿终整流效应保护(EOL)”功能。
- ◆ 可根据要求配带应急功能。
- ◆ Explosion-proof performance complies with -CENELEC standard -IEC standard -NEC standard
- ◆ Suitable for zone 1 and zone 2 zone 21 and zone 22 class II, zone 1 and zone 2 class II, zone 1, gas group B, C, D
- ◆ This series of lamps has three shell types: I, II, and III, and the suitable light sources are as follows:
Type I: T8 18W x 2; T5 14W x 2; LED 9W x 2.
Type II: T8 36W x 2; T5 28W x 2; LED 18W x 2.
Type III: T8 58W x 2; T5 35W x 2; LED 28W x 2.
- ◆ The glass tube is resistant to 4J impact.
- ◆ Copper-free aluminum shell, plastic sprayed surface.
- ◆ Built-in electronic ballast, wide voltage input, fast starting, stable performance, power factor ≥ 0.95.
- ◆ Built-in LED drive power supply, wide voltage input, constant current and constant voltage output, power factor ≥ 0.95.
- ◆ The lamp has the function of "end of life rectification effect protection (EOL)".
- ◆ It can be equipped with emergency function according to requirements.

1区& 2区; 21区& 22区

zone1, zone2, zone21, zone22

CN110-D 系列防爆荧光灯
CN110-D Series Explosion proof fluorescent lamp

C 型号含义 Model meaning

CN110-D □□ x □□
□ □ □ □ □ □

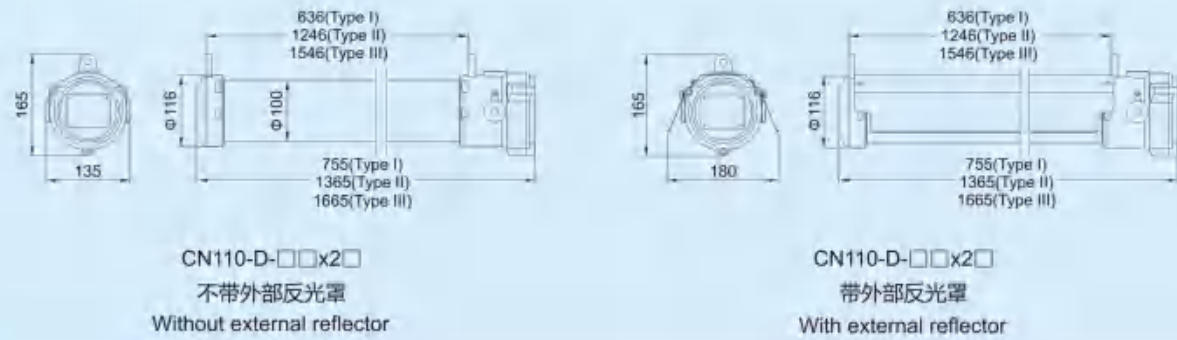
- 防爆荧光灯 Explosion proof fluorescent lamp
- LED: 仅适用于LED光源 Only for LED light source
- 光源功率 Light source power (W)
- 光源数量 Number of light sources
- 安装方式 Installation method
X: 吸顶式 Ceiling type
L: 立杆式 Vertical pole
G1: 吊杆式1 Boom type1
G2: 吊杆式2 Boom type2

C 技术参数 Technical parameter

防爆荧光灯 Explosion proof fluorescent lamp	CN110-D□x□□
防爆型式 Explosion proof type 气体防爆型式 Gas explosion proof type 粉尘防爆型式 Dust explosion proof type	II2G Ex db eb IIC T6 Gb II2D Ex tb IIIC T80°C Db
执行标准 Executive standard	GB/T 3836.1, GB/T 3836.2, GB/T 3836.3, GB/T 3836.31; EN 60079-0, EN 60079-1, EN 60079-31; IEC 60079-0, IEC 60079-1, IEC 60079-31
壳体材质 Shell material	无铜铝, 表面喷塑 Copper-free aluminum, surface sprayed
玻璃管 Glass tube	钢化玻璃, 抗4J冲击 Tempered glass, resistant to 4J impact
镇流器 Ballast	电子镇流器 Electronic ballast
LED驱动电源 Drive power	宽电压输入, 恒流恒压输出, 功率因数≥0.95, 具有分流、恒流、防浪涌、过电流、开路、短路、抗电磁干扰等保护功能。 Wide voltage input, constant current and constant voltage output, power factor ≥0.95, with shunt, constant current, anti-surge, overcurrent, Protection functions such as open circuit, short circuit, and anti-electromagnetic interference.
保护网(可选) Protection net(optional)	碳钢、镀锌、喷塑(白色)或不锈钢 Carbon steel, galvanized, plastic sprayed(white) or stainless steel
外反光板(可选) External reflector(optional)	纯铝喷塑(白色) Pure aluminum spray(white)
外露紧固件 Exposed fasteners	不锈钢 Stainless steel
光源规格 Light source specifications	T8荧光灯(出厂时配置) T8 Fluorescent lamp(configured at the factory) T5荧光灯(出厂时配置) T5 Fluorescent lamp(configured at the factory) LED模块(出厂时配置灯管) LED Module(equipped with lamp tube at factory)
光源功率 Light source power (W)	T8: 18Wx2, 36Wx2, 58Wx2 T5: 14Wx2, 28Wx2, 35Wx2 LED: 9Wx2, 18Wx2, 28Wx2
LED色温 Color temperature (CCT)	5000~5700K 注: 常规产品光源为冷白光, 如需暖白(2700~3500K)或自然白(4700~5400K)可定制, 下单时注明。 Note: The light source of conventional products is cold white light. If you need warm white (2700~3500K) or natural white (4700~5400K), it can be customized. Please specify when ordering.
额定电压 Rated voltage	T8/T5: 220~240V AC 50/60Hz; 100~300V AC 50/60Hz; LED: 110~265V AC 50/60Hz
接地保护 Ground protection	M5(灯具壳内外均配置接地螺钉) Grounding screws are equipped inside and outside the lamp housing)
防护等级 Protection level	IP65、IP66
接线端子 Terminal block	3×1.5~4mm ² (L+N+PE)
电缆引入口 Cable entry	2×M25×1.5堵头 Plugging
电缆引入装置(可选) Cable entry device(optional)	推荐使用 Recommend to use CN970-II(Ex db)或or CN970-III(Ex db)



G 外形示意图 (所有尺寸单位为mm) - 可修改 Outline diagram (all dimensions in mm) - can be modified



G 技术参数 Technical parameter

防爆荧光灯 The explosion-proof fluorescent lamp	CN110-D-□□×□□
防爆型式 Explosion proof type	II2G Ex db eb IIC T6 Gb
气体防爆型式 Gas explosion proof type	II2D Ex tb IIIC T80°C Db
粉尘防爆型式 Dust explosion proof type	
执行标准 Executive standard	GB/T 3836.1, GB/T 3836.2, GB/T 3836.3, GB/T 3836.31 EN 60079-0, EN 60079-1, EN 60079-31, IEC 60079-0, IEC 60079-1, IEC 60079-31
壳体材质 Shell material	无铜铝, 表面喷塑 Copper-free aluminum, surface sprayed
玻璃管 Glass tube	钢化玻璃, 抗4J冲击 Tempered glass, resistant to 4J impact
镇流器 Ballast	电子镇流器 Electronic ballast
LED驱动电源 Drive power	宽电压输入, 恒流恒压输出, 功率因数≥0.95, 具有分流、恒流、防浪涌、过电流、开路、短路、抗电磁干扰等保护功能。Wide voltage input, constant current and constant voltage output, power factor ≥0.95, with shunt, constant current, anti-surge, overcurrent, Protection functions such as open circuit, short circuit, and anti-electromagnetic interference.
保护网(可选) Protection net (optional)	碳钢、镀锌、喷塑(白色)或不锈钢 Carbon steel, galvanized, plastic sprayed(white) or stainless steel
外反光板(可选) External reflector (optional)	纯铝喷塑(白色) Pure aluminum spray(white)
外露紧固件 Exposed fasteners	不锈钢 Stainless steel
光源规格 Light source specifications	T8荧光灯(出厂时配置) T8 Fluorescent lamp(configured at the factory) T5荧光灯(出厂时配置) T5 Fluorescent lamp(configured at the factory) LED模块(出厂时配置灯管) LED Module(equipped with lamp tube at factory)
光源功率 Light source power (W)	T8: 18Wx2, 36Wx2, 58Wx2 T5: 14Wx2, 28Wx2, 35Wx2 LED: 9Wx2, 18Wx2, 28Wx2
LED色温 Color temperature (CCT)	5000~5700K 注: 常规产品光源为冷白光, 如需暖白(2700~3500K)或自然白(4700~5400K)可定制, 下单时注明。 Note: The light source of conventional products is cold white light. If you need warm white (2700~3500K) or natural white (4700~5400K), it can be customized. Please specify when ordering.
额定电压 Rated voltage	T8/T5: 220~240V AC 50/60Hz; 100~300V AC 50/60Hz; LED: 110~265V AC 50/60Hz
接地保护 Ground protection	M5(灯具壳内外均配置接地螺钉) Grounding screws are equipped inside and outside the lamp housing)
防护等级 Protection level	IP65、IP66
接线端子 Terminal block	3 x 1.5~4mm ² (L+N+PE)
电缆引入口 Cable entry	2 x M25 x 1.5 堵头 Plugging
电缆引入装置(可选) Cable entry device(optional)	推荐使用 Recommend to use CN970-II(Ex db)或CN970-III(Ex db).

CN110-D 系列防爆荧光灯
CN110-D Series Explosion proof fluorescent lamp

G 选配表 Selection table

型号/订货代号 Model/Order code	光源功率(W) Light source power (W)	型号/订货代号 Model/Order code	光源功率(W) Light source power (W)	型号/订货代号 Model/Order code	光源功率(W) Light source power (W)
CN110-D-18 x 2G1	18×2	CN110-D-LED 9 x 2G1	9×2	CN110-D-14 x 2G1	14×2
CN110-D-18 x 2G2	18×2	CN110-D-LED 9 x 2G2	9×2	CN110-D-14 x 2G2	14×2
CN110-D-18 x 2X	18×2	CN110-D-LED 9 x 2X	9×2	CN110-D-14 x 2X	14×2
CN110-D-18 x 2L	18×2	CN110-D-LED 9 x 2L	9×2	CN110-D-14 x 2L	14×2
CN110-D-36 x 2G1	36×2	CN110-D-LED 18 x 2G1	18×2	CN110-D-28 x 2G1	28×2
CN110-D-36 x 2G2	36×2	CN110-D-LED 18 x 2G2	18×2	CN110-D-28 x 2G2	28×2
CN110-D-36 x 2X	36×2	CN110-D-LED 18 x 2X	18×2	CN110-D-28 x 2X	28×2
CN110-D-36 x 2L	36×2	CN110-D-LED 18 x 2L	18×2	CN110-D-28 x 2L	28×2
CN110-D-58 x 2G1	58×2	CN110-D-LED 28 x 2G1	28×2	CN110-D-35 x 2G1	35×2
CN110-D-58 x 2G2	58×2	CN110-D-LED 28 x 2G2	28×2	CN110-D-35 x 2G2	35×2
CN110-D-58 x 2X	58×2	CN110-D-LED 28 x 2X	28×2	CN110-D-35 x 2X	35×2
CN110-D-58 x 2L	58×2	CN110-D-LED 28 x 2L	28×2	CN110-D-35 x 2L	35×2

注: 1. 上述产品包含“安装附件和备件表”中对应的安装附件。

2. 常规灯具出厂不配置保护网和外部反光罩, 如有需要, 订货时请注明。

Note: 1. The above products include the corresponding installation accessories in the "installation accessories and spare parts list".

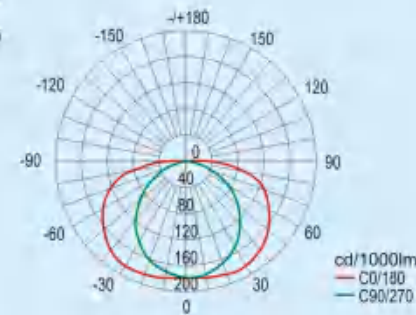
2. Conventional lamps are not equipped with protective nets and external reflectors at the factory. If necessary, please specify when ordering.

G 配光曲线(注: LED光通量数据来自色温为冷白光 5000~5700K 的标准产品)

Light distribution curve (Note: LED luminous flux data comes from standard products with a color temperature of 5000~5700K)

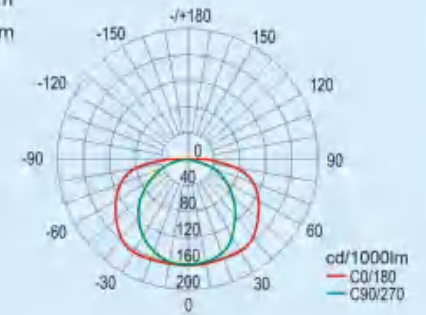
CN110-D-18x2□(不带外部反光罩) (Without external reflector)
CN110-D-14x2□(不带外部反光罩) (Without external reflector)
CN110-D-LED 9x2□(不带外部反光罩) (Without external reflector)

额定光通量:
Rated luminous flux:
T8: 18Wx2: 2600lm
T5: 14Wx2: 2500lm
LED: 9Wx2: 2160lm



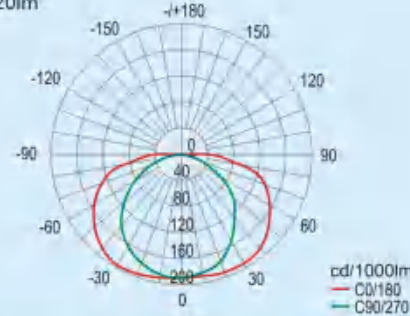
CN110-D-18x2□(带外部反光罩) (With external reflector)
CN110-D-14x2□(带外部反光罩) (With external reflector)
CN110-D-LED 9x2□(带外部反光罩) (With external reflector)

额定光通量:
Rated luminous flux:
T8: 18Wx2: 2600lm
T5: 14Wx2: 2500lm
LED: 9Wx2: 2160lm



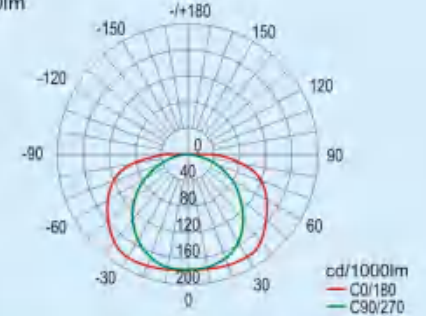
CN110-D-36x2□(不带外部反光罩) (Without external reflector)
CN110-D-28x2□(不带外部反光罩) (Without external reflector)
CN110-D-LED 18x2□(不带外部反光罩) (Without external reflector)

额定光通量:
Rated luminous flux:
T8: 36Wx2: 6500lm
T5: 28Wx2: 5400lm
LED: 18Wx2: 4320lm



CN110-D-36x2□(带外部反光罩) (With external reflector)
CN110-D-28x2□(带外部反光罩) (With external reflector)
CN110-D-LED 18x2□(带外部反光罩) (With external reflector)

额定光通量:
Rated luminous flux:
T8: 36Wx2: 6500lm
T5: 28Wx2: 5400lm
LED: 18Wx2: 4320lm



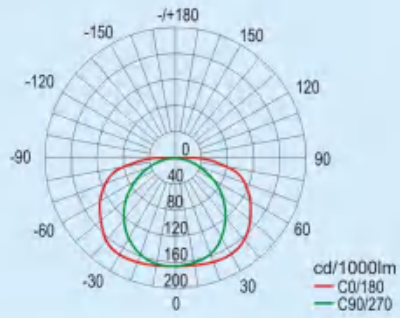
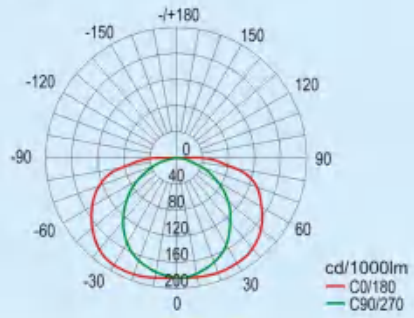


G 配光曲线(注: LED光通量数据来自色温为冷白光 5000~5700K 的标准产品)

Light distribution curve(Note: LED luminous flux data comes from standard products with a color temperature of 5000~5700K)

CN110-D-58x2□(不带外部反光罩) (Without external reflector)
CN110-D-35x2□(不带外部反光罩) (Without external reflector)
CN110-D-LED 28x2□(不带外部反光罩) (Without external reflector)
额定光通量:
Rated luminous flux:
T8: 58Wx2: 10000lm
T5: 35Wx2: 6800lm
LED: 28Wx2: 6720lm

CN110-D-58x2□(带外部反光罩) (With external reflector)
CN110-D-35x2□(带外部反光罩) (With external reflector)
CN110-D-LED 28x2□(带外部反光罩) (With external reflector)
额定光通量:
Rated luminous flux:
T8: 58Wx2: 10000lm
T5: 35Wx2: 6800lm
LED: 28Wx2: 6720lm



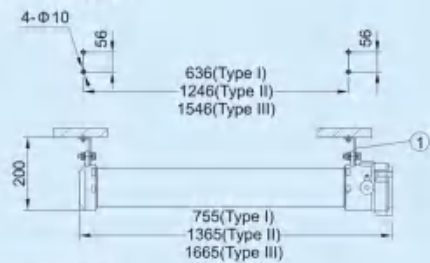
我们可以根据用户要求, 模拟现场环境和条件, 详细计算并提供现场照明设计方案及所有照明参数。
We can simulate the on-site environment and conditions according to user requirements, calculate in detail and provide on-site lighting design plans and all lighting parameters.

G 双管荧光灯安装方案举例(所有尺寸单位为mm)-可修改

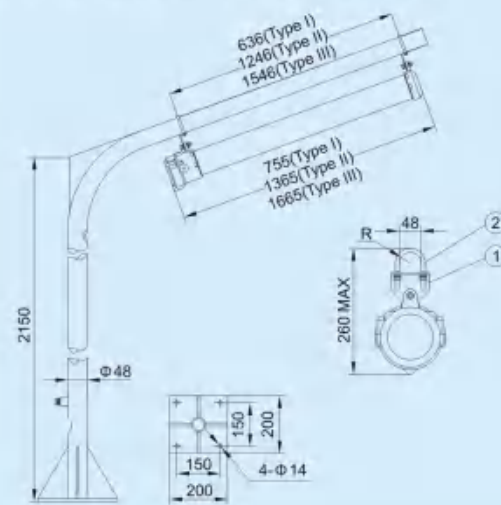
Example of installation scheme for double tube fluorescent lamps(all dimensions in mm)-can be modified

用户可参考下列安装方式并根据适用现场情况进行安装
Users can refer to the following installation methods and install according to the applicable site conditions

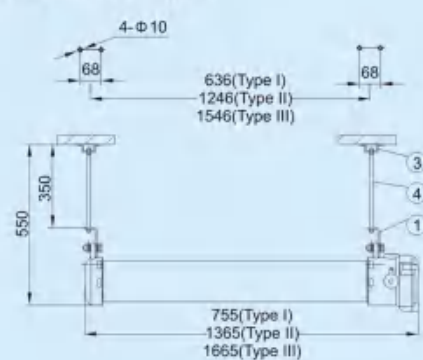
X: 吸顶式 X: Ceiling type



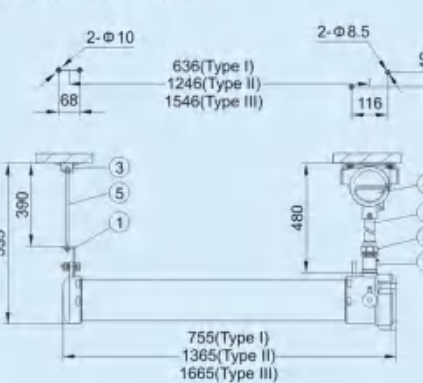
L: 立杆式(立杆由用户配置)
L: Vertical pole type (the pole is configured by the user)



G1: 吊杆式1 G1: Boom type 1



G2: 吊杆式2 G2: Boom type 2



G 安装附件和备件表 (双管荧光灯) Mounting accessories and spare parts list (double tube fluorescent lamp)

按照用户订货选择的安装方式, 供货将提供以下安装配件
According to the installation method selected by the user, the supply will provide the following installation accessories

安装方式 Installation method	附件 Annex		
	名称 Name	数量 Qty	说明 Instruction
X: 吸顶式 X: Ceiling type	①. 安装板 ①. Mounting plate	2	不锈钢 Stainless steel
L: 立杆式 L: Vertical pole	①. 安装板 ①. Mounting plate	2	不锈钢 Stainless steel
	②. U型管夹 ②. U-shaped pipe clamp	2	不锈钢 Stainless steel
G1: 吊杆式1 G1: Boom type 1	①. 安装板 ①. Mounting plate	2	不锈钢 Stainless steel
	③. 安装架 ③. Mounting frame	2	不锈钢 Stainless steel
	④. M8螺栓 ④. M8 screw	2	不锈钢, 长:350mm Stainless steel, length: 350mm
	①. 安装板 ①. Mounting plate	2	不锈钢 Stainless steel
G2: 吊杆式2 G2: Boom type 2	③. 安装架 ③. Mounting frame	1	不锈钢 Stainless steel
	⑤. M8 螺杆 ⑤. M8 screw	1	不锈钢, 长:390mm Stainless steel, length: 390mm
	⑥. 防爆接线盒 ⑥. Explosion-proof junction box	1	无铜铝(Ex db IIC) Copper-free aluminum (Ex db IIC)
	⑦. 直管(M25×1.5) ⑦. Straight pipe (M25×1.5)	1	长Length:300mm
	⑧. 防爆活接头 ⑧. Explosion-proof union	1	M25×1.5(内)/M25×1.5(外), 不锈钢 M25×1.5(inside)/M25×1.5(outside), stainless steel
	⑨. 防爆接头 ⑨. Explosion-proof connector	1	M25×1.5(内)/M25×1.5(外), 不锈钢 M25×1.5(inside)/M25×1.5(outside), stainless steel

注: 表中无配置的附件, 需用户自行配置。
Note: The accessories that are not configured in the table need to be configured by the user.



CN110
系列防爆荧光灯
CN110
Series Explosion proof
fluorescent lamp

IIB/IIC/Ex tb



C 产品概述 Product overview

- ◆ 防爆性能符合
 - CENELEC标准
 - IEC标准
 - NEC标准
- ◆ 适用于 1区和2区 21区和22区。
- ◆ 适用光源功率:
 - T8荧光灯: 18W x 1, 36W x 1, 18W x 2, 36W x 2
 - LED灯: 9W x 1, 18W x 1, 9W x 2, 18W x 2
- ◆ T8荧光灯具标准产品内装电感镇流器(电子镇流器可选, 下单需注明)。
- ◆ LED灯具内装LED驱动电源, 宽电压输入, 恒流恒压输出, 功率因素≥0.95。
- ◆ 无铜铝外壳, 表面喷塑。
- ◆ Explosion-proof performance complies with
 - CENELEC standard
 - IEC standard
 - NEC standard
- ◆ Suitable for zone 1 and zone 2 zone 21 and zone 22
- ◆ Applicable light source power:
 - T8 fluorescent lamp: 18W x 1, 36W x 1, 18W x 2, 36W x 2
 - LED lights: 9W x 1, 18W x 1, 9W x 2, 18W x 2
- ◆ The standard products of T8 fluorescent lamps are equipped with inductive ballasts (electronic ballast is optional, please specify when ordering).
- ◆ Built-in LED drive power for LED lamps, wide voltage input, constant current and constant voltage output, power factor ≥ 0.95.
- ◆ Copper-free aluminum shell, plastic sprayed surface.

1区& 2区; 21区& 22区

zone1, zone2, zone21, zone22

CN110 系列防爆荧光灯
CN110 Series Explosion proof fluorescent lamp

C 型号含义 Model meaning

CN110- □ □ X □ □
① ② ③ ④ ⑤

- ① 防爆荧光灯 Explosion proof fluorescent lamp
- ② LED: 仅适用于LED光源 Only for LED light source
- ③ 光源功率 Light source power (W)
- ④ 光源数量 Number of light sources
- ⑤ 安装方式 Installation method
 - X: 吸顶式 Ceiling type
 - D: 吊链式 Hanging chain type
 - G: 吊杆式 Boom type
 - L: 立杆式 Vertical pole
 - B: 壁式 Wall type

C 选配表 Selection table

型号/订货代号 Model/Order code	光源功率(W) Light source power(W)	型号/订货代号 Model/Order code	光源功率(W) Light source power(W)	型号/订货代号 Model/Order code	光源功率(W) Light source power(W)
CN110-18 x 1X	18 x 1	CN110-36 x 2X	36 x 2	CN110-LED 9 x 2X	9 x 2
CN110-18 x 1L	18 x 1	CN110-36 x 2L	36 x 2	CN110-LED 9 x 2L	9 x 2
CN110-18 x 1D	18 x 1	CN110-36 x 2G	36 x 2	CN110-LED 9 x 2D	9 x 2
CN110-18 x 1G	18 x 1	CN110-36 x 2B	36 x 2	CN110-LED 9 x 2G	9 x 2
CN110-36 x 1X	36 x 1	CN110-LED 9 x 1X	9 x 1	CN110-LED 18 x 2X	18 x 2
CN110-36 x 1L	36 x 1	CN110-LED 9 x 1L	9 x 1	CN110-LED 18 x 2L	18 x 2
CN110-36 x 1D	36 x 1	CN110-LED 9 x 1D	9 x 1	CN110-LED 18 x 2D	18 x 2
CN110-36 x 1G	36 x 1	CN110-LED 9 x 1G	9 x 1	CN110-LED 18 x 2G	18 x 2
CN110-18 x 2X	18 x 2	CN110-LED 18 x 1X	18 x 1		
CN110-18 x 2L	18 x 2	CN110-LED 18 x 1L	18 x 1		
CN110-18 x 2G	18 x 2	CN110-LED 18 x 1D	18 x 1		
CN110-18 x 2B	18 x 2	CN110-LED 18 x 1G	18 x 1		

- 注: 1. 上述产品包含“安装附件和备件表”中对应的安装附件。
2. 仅双管灯具具有壁式安装方式。
3. 吊链式安装方式仅适用于单管灯具。

Note: 1. The above products include the corresponding installation accessories in the "installation accessories and spare parts list".
2. Only dual-tube lamps have a wall-mounting method.
3. The hanging chain installation method is only suitable for single-tube lamps.

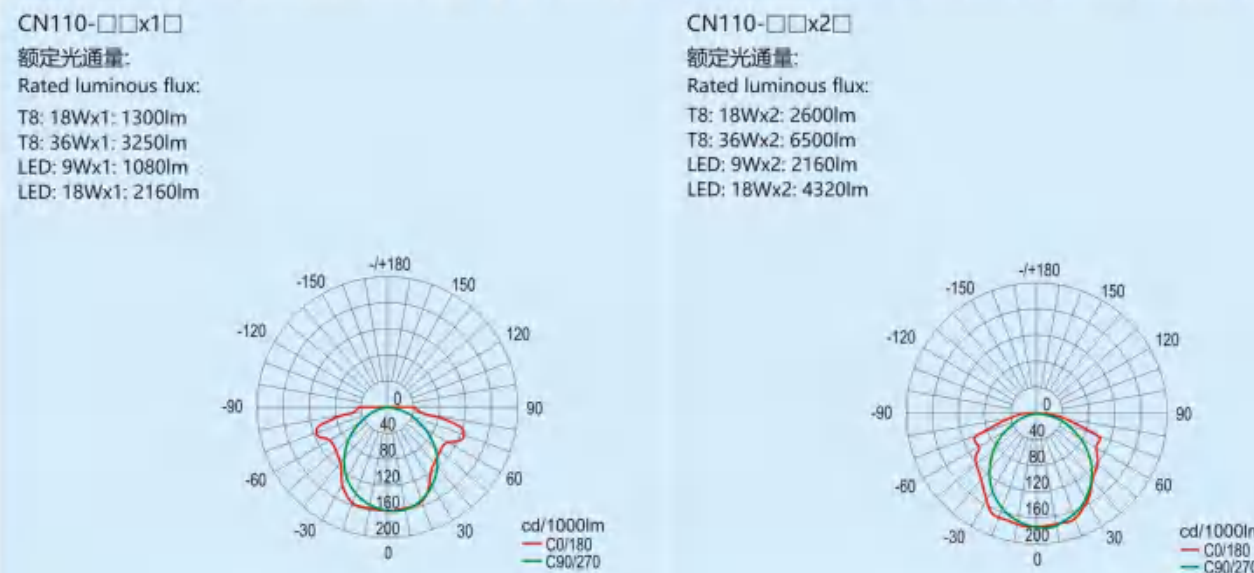


G 技术参数 Technical parameter

防爆荧光灯 Explosion proof fluorescent lamp	CN110-□□×□□
防爆型式 Explosion proof type	II2G Ex db eb IIC T6 Gb
气体防爆型式 Gas explosion proof type	II2D Ex tb IIC T80°C Db
粉尘防爆型式 Dust explosion proof type	
执行标准 Executive standard	GB/T 3836.1, GB/T 3836.2, GB/T 3836.3, GB/T 3836.31 IEC 60079-0, IEC 60079-1, IEC 61241-0, IEC 61241-1
壳体材质 Shell material	无铜铝, 表面喷塑 Copper-free aluminum, plastic sprayed surface
镇流器 Ballast	电感镇流器(电子镇流器可选) Inductive ballast (electronic ballast is optional)
外反光板 Outer reflector	纯铝喷塑(白色) Pure aluminum spray (white)
外露紧固件 Exposed fasteners	不锈钢 Stainless steel
LED驱动电源 Drive power	宽电压输入, 恒流恒压输出, 功率因数≥0.95, 具有分流、恒流、防浪涌、过电流、开路、短路、抗电磁干扰等保护功能。 Wide voltage input, constant current and constant voltage output, power factor ≥0.95, with shunt, constant current, anti-surge, overcurrent, Protection functions such as open circuit, short circuit, and anti-electromagnetic interference.
光源规格 Light source specifications	T8荧光灯(出厂时配置) T8 Fluorescent lamp (configured at the factory) LED模块(出厂时配置灯管) LED Module (equipped with lamp tube at factory)
光源功率 Light source power (W)	T8: 18Wx1, 36Wx1, 18Wx2, 36Wx2 LED: 9Wx1, 18Wx1, 9Wx2, 18Wx2
LED色温 Color temperature (CCT)	5000~5700K 注: 常规产品光源为冷白光, 如需暖白(2700~3500K)或自然白(4700~5400K)可定制, 下单时注明。 Note: The light source of conventional products is cold white light. If you need warm white (2700~3500K) or natural white (4700~5400K), it can be customized. Please specify when ordering.
额定电压 Rated voltage	T8: 220~240V AC 50Hz (60Hz可选)(配电感镇流器) T8: 220~240V AC 50Hz (60Hz Optional) (With magnetic ballast) T8: 220~240V AC 50/60Hz (配电子镇流器) T8: 220~240V AC 50/60Hz (With electronic ballast) LED: 110~265V AC 50/60Hz
接地保护 Ground protection	M5(灯具壳内外均配置接地螺钉) Grounding screws are equipped inside and outside the lamp housing)
防护等级 Protection level	IP65、IP66
周围环境温度 Ambient temperature	-20°C~+55°C
接线端子 Terminal block	3 x 1.5~2.5mm ² (L+N+PE)
电缆引入入口 Cable entry	1 x G3/4" (双管立杆式为1 x M25 x 1.5; 其它为M25 x 1.5或M20 x 1.5规格加变径接头) 1 x G3/4" (1 x M25 x 1.5 for double-pipe riser; others are M25 x 1.5 or M20 x 1.5 plus reducer)
电缆引入装置 Cable entry device	见安装附件和备件表 See installation accessories and spare parts table
适用电缆外径 Applicable cable outer diameter	Φ10~Φ14 (mm)

G 配光曲线(注: LED光通量数据来自色温为冷白光 5000~5700K的标准产品)

Light distribution curve (Note: LED luminous flux data comes from standard products with a color temperature of 5000~5700K)

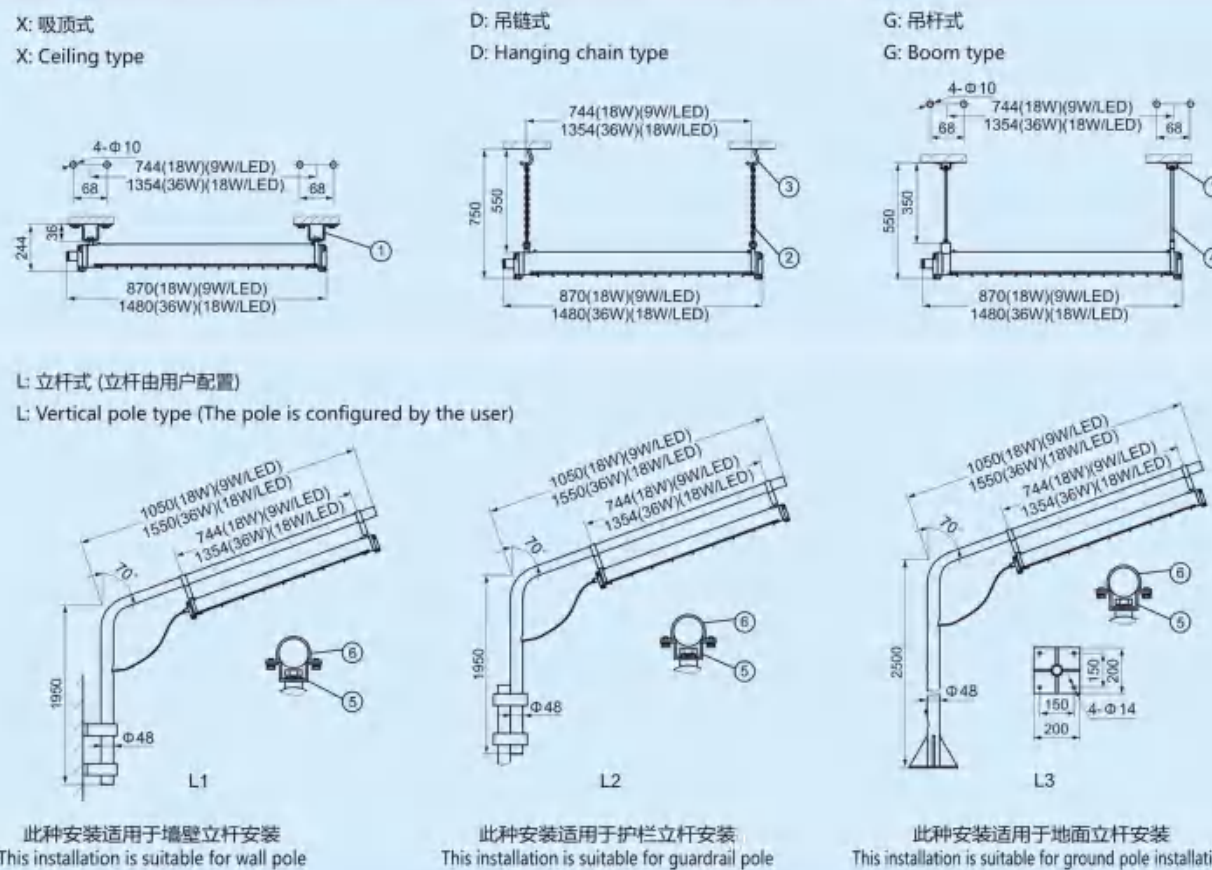


我们可以根据用户要求, 模拟现场环境和条件, 详细计算并提供现场照明设计方案及所有照明参数。
We can simulate the on-site environment and conditions according to user requirements, calculate in detail and provide on-site lighting design plans and all lighting parameters.

G 单管荧光灯安装方案举例 (所有尺寸单位为mm) - 可修改

Examples of installation schemes for single-tube fluorescent lamps (all dimensions in mm) - can be modified

用户可参考下列安装方式并根据适用现场情况进行安装
Users can refer to the following installation methods and install according to the applicable site conditions

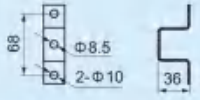
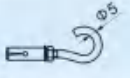
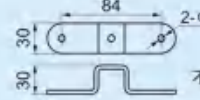
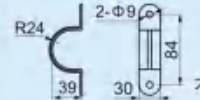




C 安装附件和备件表 (单管荧光灯) Mounting accessories and spare parts list (single tube fluorescent lamp)

按照用户订货选择的安装方式, 供货将提供以下安装配件

According to the installation method selected by the user, the supply will provide the following installation accessories

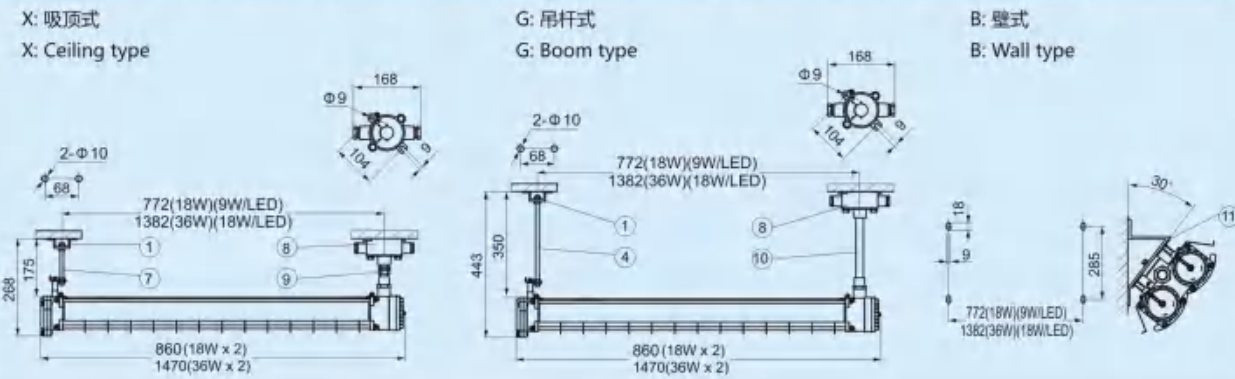
安装方式 Installation method	附件 Annex		
	名称 Name	数量 Qty	说明 Instruction
X: 吸顶式 X: Ceiling type	①. 支架 ①. Bracket	2	 不锈钢 Stainless steel
D: 吊链式 D: Hanging chain type	②. 链条 ②. Chain	2	长度: 450mm Length: 450mm
	③. 挂钩式膨胀螺钉 ③. Hook type expansion screw	2	
G: 吊杆式 G: Boom type	①. 支架 ①. Bracket	2	不锈钢, 同吸顶式安装配件 Stainless steel, same as ceiling mounting accessories
	④. M8 螺杆 ④. M8 Screw	2	不锈钢, 长度: 350mm Stainless steel, length: 350mm
L: 立杆式 L: Vertical pole	⑤. 支架 ⑤. Bracket	2	 不锈钢 Stainless steel
	⑥. G1 1/2"管夹 ⑥. G1 1/2"Pipe clamp	2	 不锈钢 Stainless steel

注: 表中无配置的附件, 需用户自行配置。Note: The accessories that are not configured in the table need to be configured by the user.

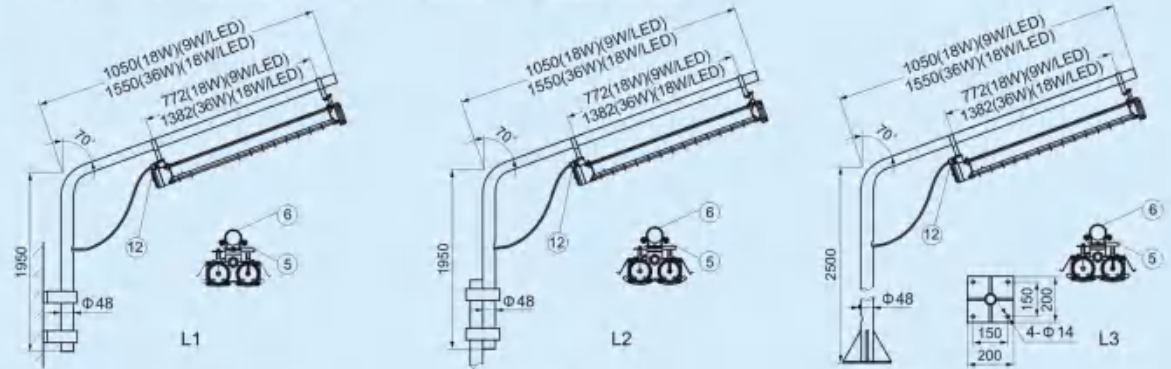
C 双管荧光灯安装方案举例 (所有尺寸单位为mm) - 可修改

Examples of installation schemes for double-tube fluorescent lamps (all dimensions in mm)-can be modified

用户可参考下列安装方式并根据适用现场情况进行安装 Users can refer to the following installation methods and install according to the applicable site conditions



L: 立杆式 (立杆由用户配置) L: Vertical pole type (The pole is configured by the user)



此种安装适用于墙壁立杆安装
This installation is suitable for wall pole

此种安装适用于护栏立杆安装
This installation is suitable for guardrail pole

此种安装适用于地面立杆安装
This installation is suitable for ground pole installation

CN110 系列防爆荧光灯
CN110 Series Explosion proof fluorescent lamp

C 安装附件和备件表 (双管荧光灯) Mounting accessories and spare parts list (double tube fluorescent lamp)

按照用户订货选择的安装方式, 供货将提供以下安装配件

According to the installation method selected by the user, the supply will provide the following installation accessories

安装方式 Installation method	附件 Annex		
	名称 Name	数量 Qty	说明 Instruction
X: 吸顶式 X: Ceiling type	①. 支架 ①. Bracket	1	不锈钢, 同单管安装配件 Stainless steel, same as single pipe installation accessories
	⑦. M8 螺杆 ⑦. M8 Screw	1	不锈钢, 长度: 150mm Stainless steel, length: 150mm
G: 吊杆式 G: Boom type	⑧. 防爆接线盒 ⑧. Explosion-proof junction box	1	G3/4"(Ex eb)
	⑨. 防爆活接头 ⑨. Explosion-proof union	1	不锈钢, G3/4"(M)/G3/4"(M) Stainless steel, G3/4"(M)/G3/4"(M)
B: 壁式 B: Wall type	①. 支架 ①. Bracket	1	不锈钢, 同单管安装配件 Stainless steel, same as single pipe installation accessories
	④. M8 螺杆 ④. M8 Screw	1	不锈钢, 长度: 350mm Stainless steel, length: 350mm
L: 立杆式 L: Vertical pole	⑧. 防爆接线盒 ⑧. Explosion-proof junction box	1	G3/4"(Ex eb)
	⑩. 直管 (G3/4") ⑩. Straight pipe (G3/4")	1	长度: 250mm Length: 250mm
L: 立杆式 L: Vertical pole	⑪. 壁式支架 ⑪. Wall bracket	2	不锈钢, 钢板焊接 Stainless steel, steel plate welding
	⑤. 支架 ⑤. Bracket	2	不锈钢, 同单管安装配件 Stainless steel, same as single pipe installation accessories
L: 立杆式 L: Vertical pole	⑥. G1 1/2"管夹 ⑥. G1 1/2"Pipe clamp	2	不锈钢, 同单管安装配件 Stainless steel, same as single pipe installation accessories
	⑬. 防爆电缆引入装置 ⑬. Explosion-proof cable entry device	1	M25 x 1.5

注: 表中无配置的附件, 需用户自行配置。

Note: The accessories that are not configured in the table need to be configured by the user.



CN110-H
系列防爆环形荧光灯
CN110-H
Series Explosion proof ring
fluorescent lamp

IIB/IIC/Ex tb



C 产品概述 Product overview

- ◆ 防爆性能符合
 - CENELEC标准
 - IEC标准
 - NEC标准
- ◆ 适用于 1区和2区 21区和22区 II类, 1区和2区 II类, 1区, 气体组别 C, D.
- ◆ 光源功率: 21W x 1, 21W x 2.
- ◆ 无铜铝外壳, 表面喷塑。
- ◆ 保护网镀锌后喷塑, 白色。
- ◆ 钢化玻璃罩, 抗热剧变。
- ◆ Explosion-proof performance complies with
 - CENELEC standard
 - IEC standard
 - NEC standard
- ◆ Suitable for zone 1 and zone 2 zone 21 and zone 22 class II, zone 1 and zone 2 class II, zone 1, gas group C, D.
- ◆ Light source power: 21W x 1, 21W x 2.
- ◆ Copper-free aluminum shell, plastic sprayed surface.
- ◆ The protective net is galvanized and sprayed, white.
- ◆ Toughened glass cover, resistant to drastic changes in heat.

1区& 2区; 21区& 22区

zone1, zone2, zone21, zone22

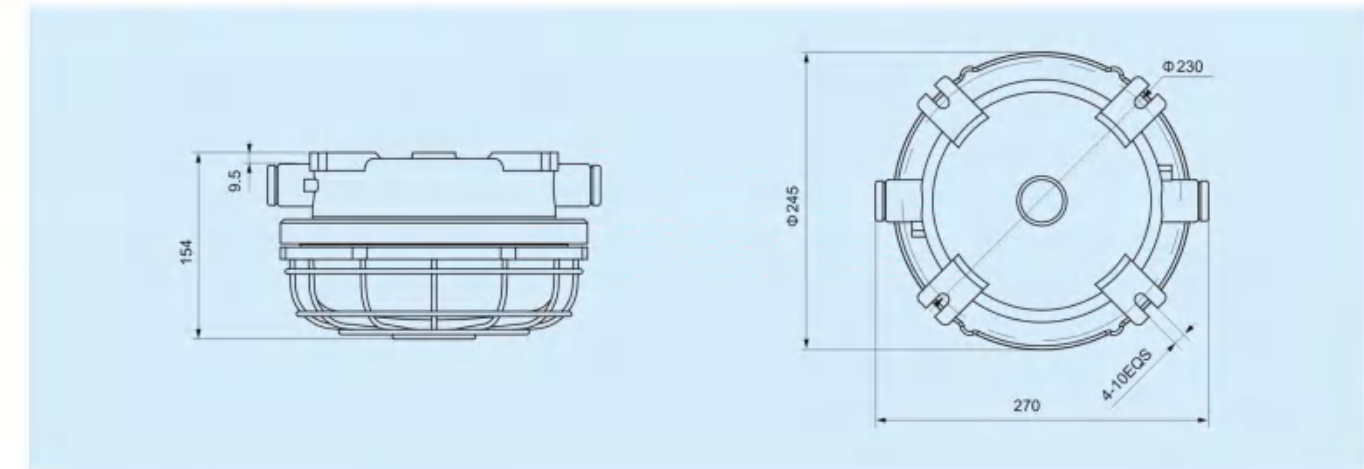
CN110-H 系列防爆环形荧光灯
CN110-H Series Explosion proof ring fluorescent lamp

C 型号含义 Model meaning

CN110- H □ X □
□ □ □

- 防爆环形荧光灯 Explosion proof ring fluorescent lamp
- 光源功率 Light source power (W)
- 光源数量 Number of light sources

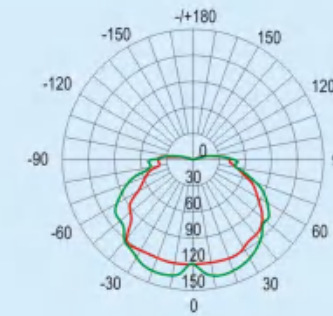
C 外形示意图 (所有尺寸单位为mm) - 可修改 Outline diagram (all dimensions in mm)-can be modified



C 配光曲线 Light distribution curve

CN110-H 21x1

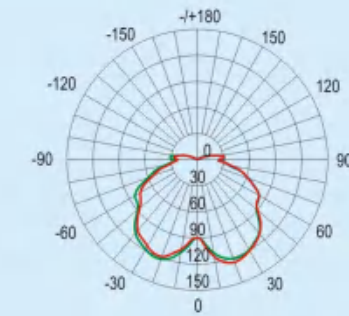
额定光通量:
Rated luminous flux:
21Wx1: 1000lm



cd/1000lm
— C0/180
— C90/270

CN110-H 21x2

额定光通量:
Rated luminous flux:
21Wx2: 2000lm



cd/1000lm
— C0/180
— C90/270

我们可以根据用户要求, 模拟现场环境和条件, 采用德国专业照明计算软件DIALUX, 详细计算并提供现场照明设计方案及所有照明参数。

We can simulate the on-site environment and conditions according to user requirements, and use the German professional lighting calculation software DIALUX to calculate in detail and provide on-site lighting design plans and all lighting parameters.



G 技术参数 Technical parameter

防爆环形荧光灯 Explosion proof ring fluorescent lamp	CN110-H□×□
防爆型式 Explosion proof type 气体防爆型式 Gas explosion proof type 粉尘防爆型式 Dust explosion proof type	II2G Ex db IIC T6 Gb II2D Ex tb IIIC T80°C Db
执行标准 Executive standard	GB/T 3836.1, GB/T 3836.2, GB/T 3836.31 EN 60079-0, EN 60079-1, IEC 60079-0, IEC 60079-1, IEC 60241-0, IEC 60241-1
壳体材质 Shell material	无铜铝, 表面喷塑 Copper-free aluminum, plastic sprayed surface
保护网 Protection net	喷塑, 碳钢, 白色 Plastic spray, carbon steel, white
透明罩 Transparent cover	钢化玻璃, 抗4J冲击 Tempered glass, resistant to 4J impact
镇流器 Ballast	电子镇流器, 功率因数≥0.95 Electronic ballast, power factor ≥0.95
内部反光罩 Internal reflector	高纯铝 High purity aluminum
外露紧固件 Exposed fasteners	不锈钢 Stainless steel
光源规格 Light source specifications	Biax 2D-4脚 (Ge品牌) Biax 2D-4 feet (Ge Brand)
光源功率 Light source power (W)	21W x 1, 21W x 2
灯座 Lamp holder	GR-10q
额定电压 Rated voltage	220~240V AC 50/60Hz
接地保护 Ground protection	M5(灯具壳内外均配置接地螺钉 Grounding screws are equipped inside and outside the lamp housing)
防护等级 Protection level	IP65、IP66
周围环境温度 Ambient temperature	-20°C~+55°C
接线端子 Terminal block	3 x 1.5~2.5mm ² (L+N+PE)
电缆引入入口 Cable entry	2 x M25x1.5 堵头 Plugging
电缆引入装置(可选) Cable entry device (optional)	推荐使用 Recommend to use CN970-II(Ex db)或 or CN970-III(Ex db)

G 选配表 Selection table

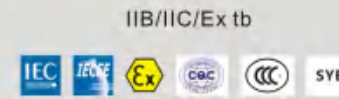
型号/订货代号 Model/Order code	光源功率(W) Light source power (W)	型号/订货代号 Model/Order code	光源功率(W) Light source power (W)
CN110-H-21 x 1	21 x 1	CN110-H-21 x 2	21 x 2

注: 本系列灯具出厂时已配置光源。

Note: This series of lamps has been equipped with a light source before leaving the factory.

CN110-G 系列防爆洁净荧光灯
CN110-G Series Explosion proof clean fluorescent lamp

CN110-G
系列防爆洁净荧光灯
CN110-G
Series Explosion proof clean
fluorescent lamp



G 产品概述 Product overview

- 防爆性能符合
-CENELEC标准
-IEC标准
-NEC标准
- 适用于 1区和2区 21区和22区 II类, 1区和2区 A, B, C, D。
- "Ex eb qb" 和 "Ex nA" 两种防爆型式, "Ex eb qb" 有2种壳体类型, "Ex nA" 有6种壳体类型。
- LED灯具无 "Ex eb qb" 防爆型式。
- 钢化玻璃透明罩, 高透光率, 抗高能量冲击, 抗热聚变。
- 外壳采用不锈钢成型。
- 内装电子镇流器, 功率因数≥0.95。
- LED驱动, 宽电压输入, 恒流恒压输出, 功率因数≥0.95。
- 灯具具有 "寿终整流效应保护(EOL)" 功能。
- 可根据要求配带应急功能。
- Explosion-proof performance conforms to
-CENELEC standard -IEC standard -NEC standard
- Applicable to zone 1 and zone 2 zone 21 and zone 22 class II, zone 1 and zone 2 A, B, C, D
- "Ex eb qb" and "Ex nA" two explosion-proof types, "Ex eb qb" has 2 types of enclosures, and "Ex nA" has 6 types of enclosures.
- LED lamps have no "Ex eb qb" explosion-proof type.
- Tempered glass transparent cover, high light transmittance, high energy impact resistance, thermal fusion resistance.
- The shell is made of stainless steel.
- Built-in electronic ballast, power factor ≥ 0.95.
- LED driver, wide voltage input, constant current and constant voltage output, power factor ≥ 0.95.
- The lamp has the function of "end of life rectification effect protection (EOL)".
- It can be equipped with emergency function as required.

1区& 2区; 21区& 22区
zone1, zone2, zone21, zone22



G 型号含义 Model meaning

CN110-G □□ x □□ □
□ □ □ □ □ □ □ □

- 防爆洁净荧光灯 Explosion proof clean fluorescent lamp
- LED: 仅适用于LED光源 Only suitable for LED light source
- 光源功率 Light source power (W)
- 光源数量 Number of light sources
- 安装方式 Installation method
 - D: 吊链式 Hanging chain type
 - G: 吊杆式 Boom type
 - X: 吸顶式 Ceiling type
 - B: 壁式 Wall type
 - L: 立杆式 Vertical pole
- J: 应急照明(不带不注) Emergency lighting (no installation and no note)

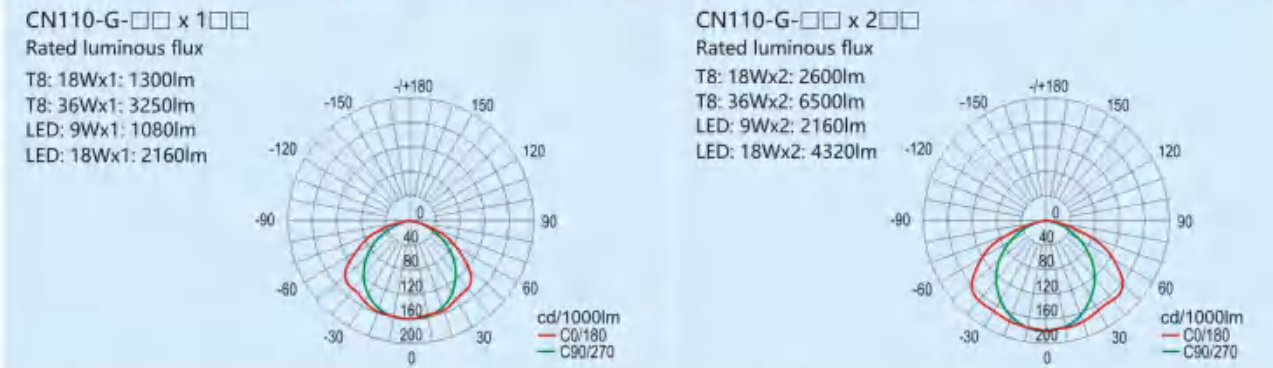
G 技术参数 Technical parameter

防爆洁净荧光灯 Explosion proof clean fluorescent lamp	CN110-G-□□ x □□□
防爆型式 Explosion proof type	Ex II3G Ex nA IIC T6 Gc
气体防爆型式 Gas explosion proof type	Ex II2D Ex tb IIIC T80°C Db
粉尘防爆型式 Dust explosion proof type	
执行标准 Executive standard	EN 60079-0, EN 60079-15, EN 60079-31 IEC 60079-0, IEC 60079-15, IEC 60079-31
壳体材质 Shell material	不锈钢 Stainless steel
透明罩 Transparent cover	钢化玻璃, 抗4J冲击 Tempered glass, resistant to 4J impact
镇流器 Ballast	电子镇流器, 功率因素≥0.95 Electronic ballast, power factor≥0.95
LED驱动电源 Drive power	宽电压输入, 恒流恒压输出, 功率因素≥0.95。 Wide voltage input, constant current and constant voltage output, power factor ≥ 0.95.
外露紧固件 Exposed fasteners	不锈钢 Stainless steel
光源规格 Light source specifications	T8 Fluorescent lamp (supplied with the light fittings) LED Module (supplied with the light fittings)
光源功率 Light source power (W)	T8: 18Wx1, 36Wx1, 18Wx2, 36Wx2 LED: 9Wx1, 18Wx1, 9Wx2, 18Wx2 5000~5700K 注: 常规产品光源为冷白光, 如需暖白(2700~3500K)或自然白(4700~5400K)可定制, 下单时注明。 Note: The light source of conventional products is cold white light. If you need warm white (2700~3500K) or natural white (4700~5400K), it can be customized. Please specify when ordering.
LED色温 Color temperature (CCT)	
额定电压 Rated voltage	T8: 100~300V AC 50/60Hz LED: 110~265V AC 50/60Hz
防护等级 Protection level	P65, IP66
周围环境温度 Ambient temperature	-40°C~+55°C
接线端子 Terminal block	3 x 1.5~4mm ² (L+N+PE)
电缆引入口 Cable entry	2 x Φ21; 2 x M20 x 1.5 电缆引入装置 Cable entry device (CN970-I Ex eb, 塑料Plastic)
适用电缆外径 Applicable cable outer diameter	Φ6~Φ12 (mm)
应急装置 Emergency device	内装专用应急控制器及镍氢电池组, 过放电和过充电保护功能 Built-in special emergency controller and Ni-MH battery pack, over-discharge and over-charge protection function
应急功率 Emergency power (W)	T8: 18W x 1, 36W x 1; LED: 9W x 1, 18W x 1
应急启动时间 Emergency start time	0.3s
充电时间 Charging time	24h
应急照明时间 Emergency lighting time	120min (180min 可选 Optional)

CN110-G 系列防爆洁净荧光灯
CN110-G Series Explosion proof clean fluorescent lamp

G 配光曲线(注: LED光通量数据来自色温为冷白光 5000~5700K的标准产品)

Light distribution curve (Note: LED luminous flux data comes from standard products with a color temperature of 5000~5700K)



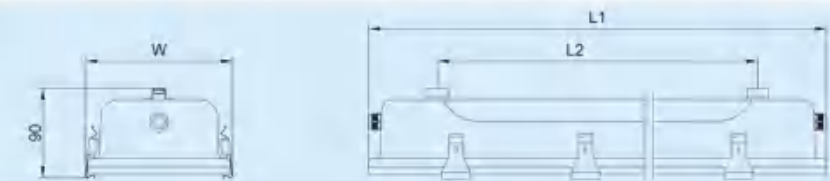
我们可以根据用户要求, 模拟现场环境和条件, 详细计算并提供现场照明设计方案及所有照明参数。
We can simulate the on-site environment and conditions according to user requirements, calculate in detail and provide on-site lighting design plans and all lighting parameters.

G 选配表 Selection table

型号/订货代号 Model/Order code	光源功率(W) Light source power (W)	型号/订货代号 Model/Order code	光源功率(W) Light source power (W)
CN110-G-18 x 1X	18x1	CN110-G-36 x 1X	36x1
CN110-G-18 x 1G	18x1	CN110-G-36 x 1G	36x1
CN110-G-18 x 1D	18x1	CN110-G-36 x 1D	36x1
CN110-G-18 x 1B	18x1	CN110-G-36 x 1B	36x1
CN110-G-18 x 1L	18x1	CN110-G-36 x 1L	36x1
CN110-G-18 x 2X	18x2	CN110-G-36 x 2X	36x2
CN110-G-18 x 2G	18x2	CN110-G-36 x 2G	36x2
CN110-G-18 x 2D	18x2	CN110-G-36 x 2D	36x2
CN110-G-18 x 2B	18x2	CN110-G-36 x 2B	36x2
CN110-G-18 x 2L	18x2	CN110-G-36 x 2L	36x2
CN110-G-LED 9 x 1X	9x1	CN110-G-LED 18 x 1X	18x1
CN110-G-LED 9 x 1G	9x1	CN110-G-LED 18 x 1G	18x1
CN110-G-LED 9 x 1D	9x1	CN110-G-LED 18 x 1D	18x1
CN110-G-LED 9 x 1B	9x1	CN110-G-LED 18 x 1B	18x1
CN110-G-LED 9 x 1L	9x1	CN110-G-LED 18 x 1L	18x1
CN110-G-LED 9 x 2X	9x2	CN110-G-LED 18 x 2X	18x2
CN110-G-LED 9 x 2G	9x2	CN110-G-LED 18 x 2G	18x2
CN110-G-LED 9 x 2D	9x2	CN110-G-LED 18 x 2D	18x2
CN110-G-LED 9 x 2B	9x2	CN110-G-LED 18 x 2B	18x2
CN110-G-LED 9 x 2L	9x2	CN110-G-LED 18 x 2L	18x2

注: 上述产品包含“安装附件和备件表”中对应的安装附件。
Note: The above products include the corresponding installation accessories in the "installation accessories and spare parts list".

G 外形示意图 (所有尺寸单位为mm) - 可修改 Outline diagram (all dimensions in mm) - can be modified



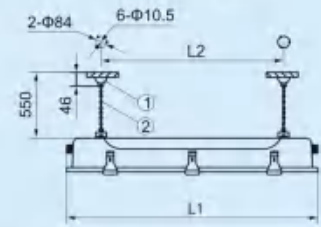
型号/订货代号 Model/Order code	L1	L2	W
CN110-G-18x1□, CN110-G-LED 9x1□	700	500	140
CN110-G-18x2□, CN110-G-LED 9x2□	700	500	190
CN110-G-36x1□, CN110-G-LED 18x1□	1300	1100	140
CN110-G-36x2□, CN110-G-LED 18x2□	1300	1100	190



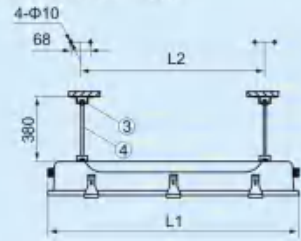
G 安装方案举例 (所有尺寸单位为mm) - 可修改 Example of installation plan (all dimensions in mm)-can be modified

用户可参考下列安装方式并根据适用现场情况进行安装
Users can refer to the following installation methods and install according to the applicable site conditions

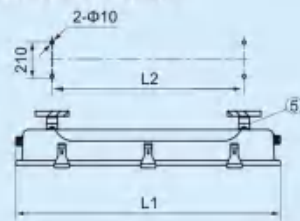
D: 吊链式 D: Hanging chain type



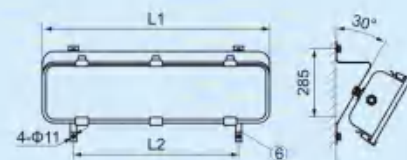
G: 吊杆式 G: Boom type



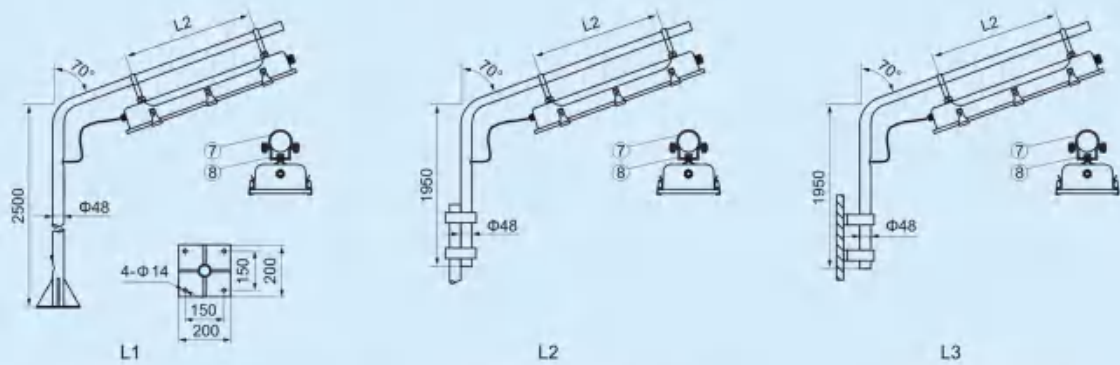
X: 吸顶式 X: Ceiling type



B: 壁式 B: Wall type



L: 立杆式 (立杆由用户配置) L: Vertical pole type (The pole is configured by the user)



此种安装适用于地面立杆安装
This installation is suitable for ground pole installation

此种安装适用于护栏立杆安装
This installation is suitable for guardrail pole

此种安装适用于墙壁立杆安装
This installation is suitable for wall pole

G 安装附件和备件表 Mounting accessories and spare parts list

按照用户订货选择的安装方式, 供货将提供以下安装配件
According to the installation method selected by the user, the supply will provide the following installation accessories

安装方式 Installation method	附件 Annex		
	名称 Name	数量 Qty	说明 Instruction
D: 吊链式 D: Hanging chain type	①.吸盘 ①. Suction cup	2	
	②.链条 ②. Chain	2	长度: 450mm Length: 450mm
G: 吊杆式 G: Boom type	③.安装支架 ③. Mounting bracket	2	不锈钢 Stainless steel
	④.M8螺杆 ④. M8 screw	2	不锈钢, 长度: 350mm Stainless steel, length: 350mm
X: 吸顶式 X: Ceiling type	⑤.安装支架 ⑤. Installation bracket	2	不锈钢 Stainless steel
B: 壁式 B: Wall type	⑥.壁式支架 ⑥. Wall bracket	2	不锈钢, 钢板焊接 Stainless steel, steel plate welding
L: 立杆式 L: Vertical pole	⑦.G1 1/2"管夹 ⑦. G1 1/2" pipe clamp	2	不锈钢 Stainless steel
	⑧.安装支架 ⑧. Mounting bracket	2	不锈钢 Stainless steel

注: 表中无配置的附件, 需用户自行配置。
Note: The accessories that are not configured in the table need to be configured by the user.

CN110-QT 系列井架专用防爆荧光灯
CN110-QT Series special Explosion proof fluorescent lamp for derrick

CN110-QT
系列井架专用防爆荧光灯
CN110-QT
Series special Explosion proof
fluorescent lamp for derrick

IIB/IIC/Ex tb



C 产品概述 Product overview

- 防爆性能符合
 - CENELEC标准
 - IEC标准
 - NEC标准
- 适用于 1区和2区 21区和22区 II类, 1区和2区 II类, 2区, 气体组别 A, B, C, D
- 聚碳酸酯透明罩, 高透光率, 承受强撞击。
- 主壳体为无铜铝挤出成型工艺, 表面阳极氧化处理, 两端壳体为无铜铝压铸成型, 表面喷塑。
- 内装电子镇流器, 功率因数≥0.95。
- 特制的安装支架, 可根据要求调整照射角度。
- 可根据要求配带应急功能。
- 灯具具有“寿终整流效应保护(EOL)”功能。
- Explosion-proof performance conforms to
 - CENELEC standard -IEC standard -NEC standard
- Suitable for zone 1 and zone 2 zone 21 and zone 22 class II, zone 1 and zone 2 class II, zone 2, gas group A, B, C, D.
- Polycarbonate transparent cover, high light transmittance, withstand strong impact.
- The main shell is made of copper-free aluminum extrusion molding process, and the surface is anodized. The shells at both ends are formed by copper-free aluminum die-casting sprayed.
- Built-in electronic ballast, power factor ≥ 0.95.
- The special mounting bracket can adjust the irradiation angle according to the requirements.
- It can be equipped with emergency function as required.
- The lamp has the function of "end of life rectification effect protection (EOL)".

1区&2区; 21区&22区

zone1, zone2, zone21, zone22

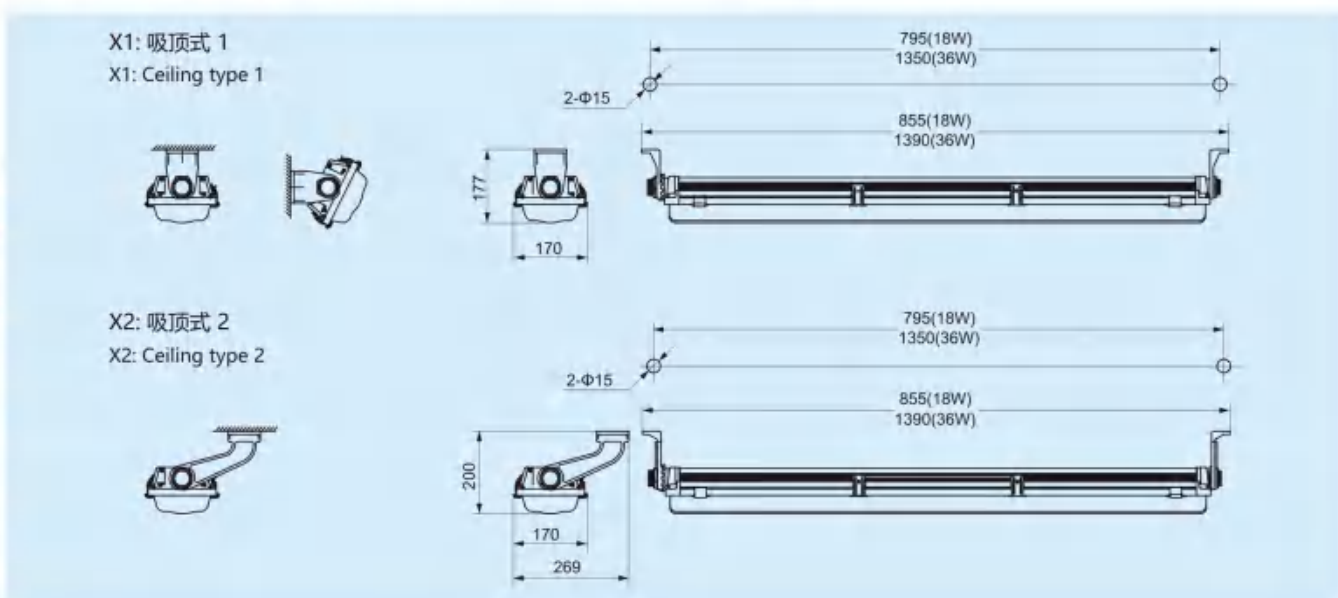


C 型号含义 Model meaning

CN110-QT 36 X 2 □ □
□ □ □ □ □ □

- 井架专用防爆荧光灯 Special explosion proof fluorescent lamp for derrick
- 光源功率 Light source power (W)
- 光源数量 Number of light sources
- 安装方式 Installation method
X1: 吸顶式1 Ceiling type 1
X2: 吸顶式2 Ceiling type 2
- J: 应急照明(不带注) Emergency lighting(no installation and no note)

C 安装方案举例 (所有尺寸单位为mm) - 可修改 Example of installation plan (all dimensions in mm)-can be modified

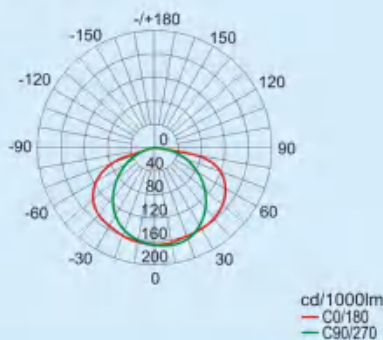


C 配光曲线 Light distribution curve

CN110-QT 18W x 2

额定光通量: 2600lm

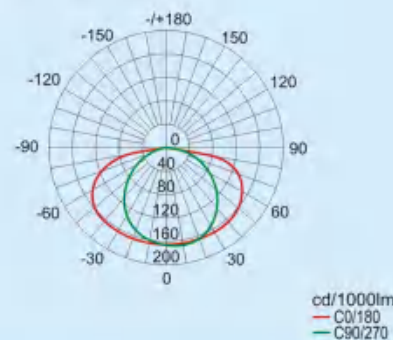
Rated luminous flux: 2600lm



CN110-QT 36W x 2

额定光通量: 6500lm

Rated luminous flux: 2600lm



我们可以根据用户要求, 模拟现场环境和条件, 详细计算并提供现场照明设计方案及所有照明参数。

We can simulate the on-site environment and conditions according to user requirements, calculate in detail and provide on-site lighting design plans and all lighting parameters.

CN110-QT 系列井架专用防爆荧光灯

CN110-QT Series special Explosion proof fluorescent lamp for derrick

C 技术参数 Technical parameter

井架专用防爆荧光灯 Special explosion proof fluorescent lamp for derrick	CN110-QT36x2□□
防爆型式 Explosion proof type	Ex II2G Ex db eb IIC T6 Gb
气体防爆型式 Gas explosion proof type	Ex II2D Ex tb IIC T80°C Db
粉尘防爆型式 Dust explosion proof type	
执行标准 Executive standard	GB/T 3836.1, GB/T 3836.2, GB/T 3836.3, GB/T 3836.31; EN 60079-0, EN 60079-1, EN 60079-5, EN 60079-7, EN 60079-31, IEC 60079-0, IEC 60079-1, IEC 60079-5, IEC 60079-7, IEC 60079-31
主壳体材质 Main shell material	无铜铝, 表面阳极氧化处理 Copper-free aluminum, surface anodized
两端壳体 Shell at both ends	无铜铝, 表面喷塑 Copper-free aluminum, surface sprayed
透明罩 Transparent cover	聚碳酸酯, 透光率达到90%, 抗7J冲击 Polycarbonate, light transmittance reaches 90%, 7J impact resistance
镇流器 Ballast	电子镇流器, 功率因素≥0.95 Electronic ballast, power factor ≥0.95
外露紧固件 Exposed fasteners	不锈钢 Stainless steel
光源规格 Light source specifications	T8灯管 (出厂时配置灯管) T8 Lamps (Equipped with lamp tube at factory)
光源功率 Light source power (W)	18W x 2, 36W x 2
应急功率 Emergency power (W)	18W x 1, 36W x 1
额定电压 Rated voltage	96~254V AC 50/60Hz
防护等级 Protection level	IP65、IP66
周围环境温度 Ambient temperature	-40°C~+55°C
接线端子 Terminal block	3 x 1.5~4mm ² (L+N+PE)
电缆引入口 Cable entry	1 x G3/4"
电缆引入装置 Cable entry device	出厂时配置密封垫和压紧装置, 电缆引入装置可根据要求配置 It is equipped with sealing gasket and pressing device when leaving the factory, and the cable entry device can be configured according to requirements
适用电缆外径 Applicable cable outer diameter	Φ10~Φ14 (mm)
应急启动时间 Emergency start time	0.3s
充电时间 Charging time	24h
应急照明时间 Emergency lighting time	120min (180min可选 Optional)

C 选配表 Selection table

型号/订货代号 Model/Order code	光源功率(W) Light source power (W)	型号/订货代号 Model/Order code	光源功率(W) Light source power (W)
CN110-QT-18 x 2□	18 x 2	CN110-QT-18 x 2□J	18 x 2
CN110-QT-36 x 2□	36 x 2	CN110-QT-36 x 2□J	36 x 2

注: 常规产品不配置应急功能, 如需要, 请注明。

Note: Conventional products are not equipped with emergency functions, please specify if necessary.



CN120
系列防爆LED照明灯
CN120
Series Explosion-proof LED
lighting

IIB/IIC/Ex tb



C 产品概述 Product overview

- ◆ 防爆性能符合
 - CENELEC标准
 - IEC标准
 - NEC标准
- ◆ 适用于 1区和2区 21区和22区 II类, 1区和2区 II类, 1区, 气体组别 A, B, C, D.
- ◆ 本系列灯具外壳规格有30、70、120三种。
- ◆ 适用光源和光源功率 (Max. 120W) LED: 20W, 30W, 50W, 70W, 100W, 120W。
- ◆ 独立LED光源腔、恒流恒压电源控制器腔、接线腔隔离不相通, 采用空气对流的散热结构。
- ◆ 长达50,000小时的工作寿命, 少量维护保养。
- ◆ Explosion-proof performance complies with
 - CENELEC standard
 - IEC standard
 - NEC standard
- ◆ Suitable for zone 1 and zone 2 zone 21 and zone 22 class II, zone 1 and zone 2 class II, zone 1, gas group A, B, C, D.
- ◆ This series of lamps and lanterns have three shell specifications of 30, 70 and 120.
- ◆ Applicable light source and light source power (Max. 120W) LED: 20W, 30W, 50W, 70W, 100W, 120W.
- ◆ Independent LED light source cavity, constant current and constant voltage power supply controller cavity, and wiring cavity are isolated and not connected, using air convection for heat dissipation structure.
- ◆ Up to 50,000 hours of working life, little maintenance.

1区& 2区; 21区& 22区

zone1, zone2, zone21, zone22

CN120 系列防爆LED照明灯
CN120 Series Explosion-proof LED lighting

C 型号含义 Model meaning

CN120 - □ □ □
□ □ □ □

- 防爆LED照明灯 Explosion-proof LED lighting
- 壳体规格 Shell specifications: 30、70、120
- 光源功率 Light source power (W)
- 安装方式 Installation method
 - A. 吸顶式 Ceiling type
 - B1. 管吊式 Pipe hanging type
 - C1. 吸壁式 Wall suction type
 - C2. 吸壁式 Wall suction type
 - A2. 吸顶式 Ceiling type
 - C3. 吸壁式 Wall suction type
 - D. 护栏立杆式 Railing type
 - E. 法栏立杆式 French railings

C 选配表 Selection table

型号/订货代号 Model/Order code	额定功率(W) Rated power (W)	防爆标志 Explosion-proof mark	光源功率(W) Light source power (W)
CN120-20□□	20	Ex db IIC T6 Gb/Ex tb IIIC T80°C Db	I
CN120-30□□	30		
CN120-50□□	50		
CN120-70□□	70	Ex db IIC T6 Gb/Ex tb IIIC T80°C Db	II
CN120-100□□	100		
CN120-120□□	120		

- 注: 1. 上述产品包含“安装附件和备件表”中对应的安装附件。
2. 按本表“型号/订货代号”供货, 含安装附件。

Note: 1. The above products include the corresponding installation accessories in the "installation accessories and spare parts list".

2. According to the "model/ordering code" of this table, it is supplied with installation accessories.



G 技术参数 Technical parameter

防爆LED照明灯 Explosion-proof LED lighting	CN120-□-□□
防爆型式 Explosion proof type 气体防爆型式 Gas explosion proof type 粉尘防爆型式 Dust explosion proof type	Ex db IIC T6/T5 Gb Ex db IIC T6 Gb/Ex tb IIIC T80°C Db Ex db IIC T6 Gb/Ex tb IIIC T80°C Db
执行标准 Executive standard	GB/T 3836.1, GB/T 3836.2, GB/T 3836.31 EN 60079-0, EN 60079-1, EN 60079-31, IEC 60079-0, IEC 60079-1, IEC 60079-31
壳体材质 Shell material	无铜铝, 表面喷塑 Copper-free aluminum, plastic sprayed surface
透明罩 Transparent cover	钢化玻璃(PC材料), 抗4J冲击 Tempered glass(PC material), resistant to 4J impact
LED驱动电源 Drive power	宽电压输入, 恒流恒压输出, 功率因数≥0.95, 具有分流、恒流、防浪涌、过电流、开路、短路、抗电磁干扰等保护功能。 Wide voltage input, constant current and constant voltage output, power factor ≥0.95, with protection functions such as shunting, constant current, anti-surge, overcurrent, open circuit, short circuit, and anti-electromagnetic interference.
外露紧固件 Exposed fasteners	不锈钢 Stainless steel
光源规格 Light source specifications	LED模块 Module
光源功率 Light source power (W)	20W, 30W, 50W, 70W, 100W, 120W
色温 Color temperature (CCT)	冷白光 Cool white light: 5400~6500K 注: 常规产品光源为冷白光, 如需暖白(2700~3500K)或自然白(4700~5400K)可定制, 下单时注明。 Note: The light source of conventional products is cold white light. If you need warm white (2700~3500K) or natural white (4700~5400K), it can be customized. Please specify when ordering.
额定电压 Rated voltage	220V AC 50/60Hz
接地保护 Ground protection	M5(灯具壳内外均配置接地螺钉)Grounding screws are equipped inside and outside the lamp housing.
防护等级 Protection level	IP65、IP66
周围环境温度 Ambient temperature	T5/T95°C for Tamb: -40°C~+55°C; T6/T80°C for Tamb: -40°C~+40°C
接线端子 Terminal block	3 x 1.5~4mm ² (L+N+PE)
安装方式 Installation method	吸顶式、立杆式、吊杆式、壁式、挂钩式 Ceiling type, pole type, boom type, wall type, hook type
电缆引入入口 Cable entry	30型: G3/4" (如需要NPT3/4或M25 x 1.5规格则加变径接头) 30 type: G3/4" (If NPT3/4 or M25 x 1.5 Specifications are required, add a reducer)
电缆引入装置 Cable entry device	70/120型Type: 1 x G3/4" (吊杆式和挂钩式 Boom type and hook type); 4 x M25x1.5(壁式和吸顶式 Wall type and ceiling type); 1 x G1" (立杆式 Pole type) 见安装附件和备件表 See table of installation accessories and spare parts
适用电缆外径 Applicable cable outer diameter	Φ10~Φ14(mm)




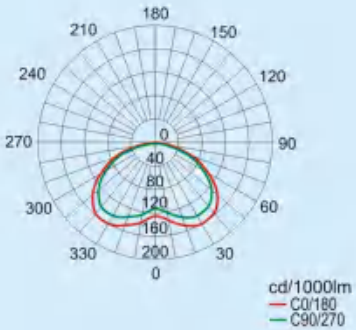
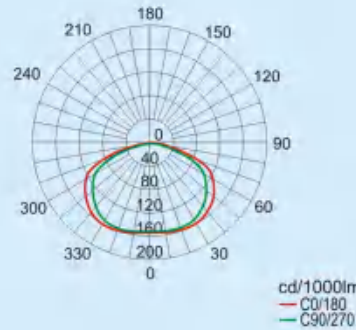
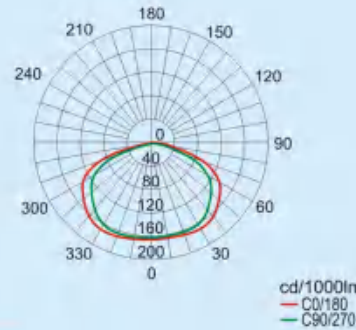
CN120 系列防爆LED照明灯
CN120 Series Explosion-proof LED lighting

G 外形示意图 (所有尺寸单位为mm) - 可修改 Outline diagram (all dimensions in mm) - can be modified



G 配光曲线 (注: LED光通量数据来自色温为冷白光 5400~6500K的标准产品)

Light distribution curve (Note: LED luminous flux data comes from a standard product with a color temperature of 5400~6500K)

 CN120-30-□□ 额定光通量: Rated luminous flux: 20W LED: 1800lm 30W LED: 2700lm 光效: 90lm/W	 CN120-70-□□ 额定光通量: Rated luminous flux: 50W LED: 4500lm 70W LED: 6300lm 光效: 90lm/W	 CN120-120-□□ 额定光通量: Rated luminous flux: 100W LED: 9000lm 120W LED: 10800lm 光效: 90lm/W
		

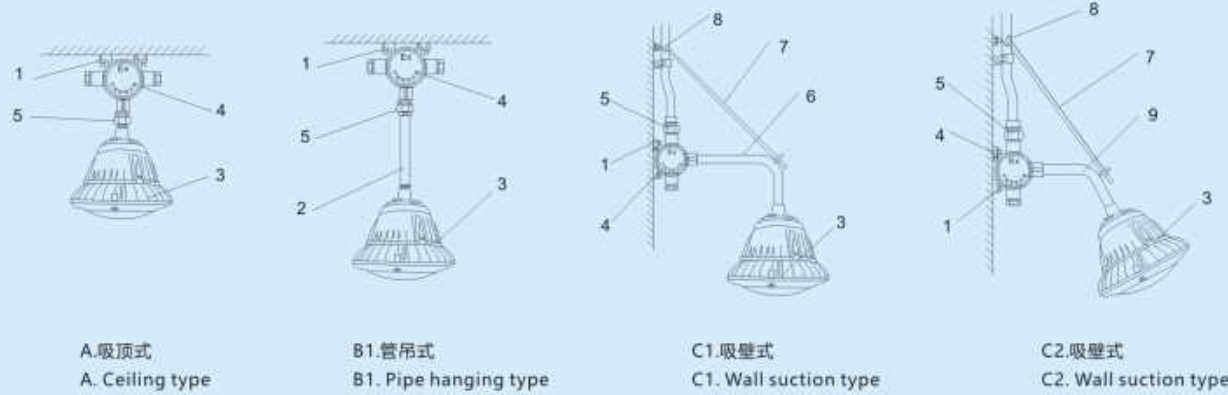
我们可以根据用户要求, 模拟现场环境和条件, 详细计算并提供现场照明设计方案及所有照明参数。

We can simulate the on-site environment and conditions according to user requirements, calculate in detail and provide on-site lighting design plans and all lighting parameters.



C 安装方案举例 (CN120-70型, CN120-120型) (所有尺寸单位为mm) - 可修改

Example of installation plan (CN120-70 type, CN120-120 type) (all dimensions in mm) - can be modified



A. 吸顶式
A. Ceiling type

B1. 管吊式
B1. Pipe hanging type

C1. 吸壁式
C1. Wall suction type

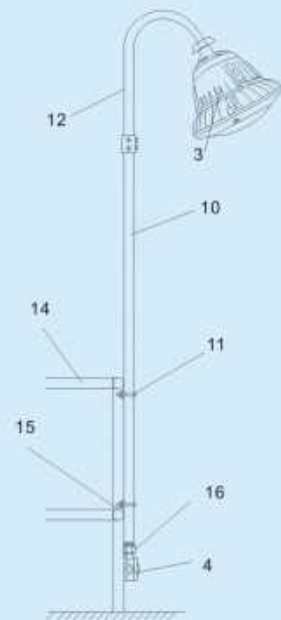
C2. 吸壁式
C2. Wall suction type



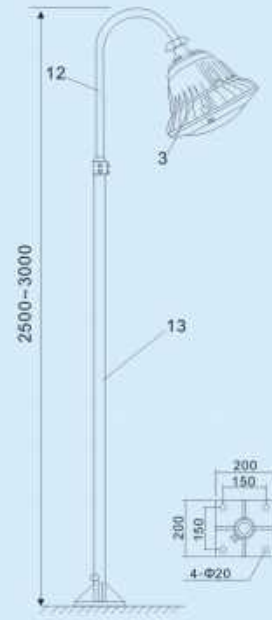
A2. 吸顶式
A2. Ceiling type



C3. 吸壁式
C3. Wall suction type



D. 护栏立杆式
D. Railing type



E. 法兰立杆式
E. French railings

CN120 系列防爆LED照明灯
CN120 Series Explosion-proof LED lighting

C 安装附件和备件表(CN120-30型) Mounting accessories and spare parts list (CN120-30 type)

按照用户订货选择的安装方式, 供货将提供以下安装配件

According to the installation method selected by the user, the supply will provide the following installation accessories

序号 Serial number	名称 Name
1	(膨胀)螺栓(用户自备) (Expansion) bolt (user-supplied)
2	G3/4"吊杆 G3/4" Hanging pipe
3	灯具 Lamps
4	防爆接线盒(用户另购) Explosion-proof junction box (user purchase separately)
5	防爆活接头(用户另购) Explosion-proof union (user purchase separately)
6	90°弯杆 90° Elbow
7	拉杆及螺母 Tie rod and nut
8	钩钉 Hook nail
9	120°弯杆 120° Elbow
10	1 1/4"护栏立杆 1 1/4" Guardrail pole
11	管卡 Pipe clamp
12	1 1/4"弯杆 1 1/4" Elbow
13	1 1/2"法兰立杆 1 1/2" Flange pole
14	护栏(用户自制) Guardrail (user-made)
15	固定支架(用户自制) Fixed bracket (user-made)
16	G3/4"防爆连通节 G3/4" Explosion-proof connection joint

注: 1. 表中无配置的附件, 需用户自行配置。

2. 立杆出厂时不配置, 如有需要, 订货时请注明。

Note: 1. The accessories that are not configured in the table need to be configured by the user.

2. The pole is not configured when leaving the factory. If necessary, please specify when ordering.



CN120-I
系列防爆LED照明灯
CN120 - I
Series Explosion-proof LED
lighting

IIB/IIC/Ex tb



C 产品概述 Product overview

- ◆ 防爆性能符合
 - CENELEC标准
 - IEC标准
 - NEC标准
- ◆ 适用于 1区和2区 21区和22区 II类, 1区和2区 II类, 1区, 气体组别 A, B, C, D.
- ◆ 本系列灯具外壳规格有50、100二种。
- ◆ 适用光源和光源功率 (max. 100W) LED: 20W, 30W, 40W, 50W。
- ◆ 独立LED光源腔、恒流恒压电源控制器腔、接线腔隔离不相通, 采用空气对流的散热结构。
- ◆ 长达100,000小时的工作寿命, 少量维护保养。
- ◆ Explosion-proof performance complies with
 - CENELEC standard
 - IEC standard
 - NEC standard
- ◆ Suitable for zone 1 and zone 2 zone 21 and zone 22 class II, zone 1 and zone 2 class II, zone 1, gas group A, B, C, D.
- ◆ There are 50 and 100 two kinds of lamp shell specifications in this series.
- ◆ Applicable light source and light source power (max. 100W) LED: 20W, 30W, 40W, 50W.
- ◆ Independent LED light source cavity, constant current and constant voltage power supply controller cavity, and wiring cavity are isolated and not connected, using air convection for heat dissipation structure.
- ◆ Long working life of 100,000 hours, little maintenance.

1区& 2区; 21区& 22区

zone1, zone2, zone21, zone22

CN120-I 系列防爆LED照明灯
CN120 -I Series Explosion-proof LED lighting

C 型号含义 Model meaning

CN120-I □-□□
□ □ □ □

- 防爆LED照明灯 Explosion-proof LED lighting
- 壳体规格 Shell specifications: I
- 光源功率 Light source power (W)
20, 30, 40, 50
- 安装方式 Installation method
G: 吊杆式 Boom type
D: 挂钩式 Hook type
X: 吸顶式 Ceiling type
B: 壁式 Wall type
L: 立杆式 Vertical pole

C 技术参数 Technical parameter

防爆LED照明灯 Explosion-proof LED lighting	CN120-I □-□□
防爆型式 Explosion proof type 气体防爆型式 Gas explosion proof type 粉尘防爆型式 Dust explosion proof type	Ex IIBG Ex db IIC T6/T5 Gb Ex IIBD Ex tb IIIC T80°C/T95°C Db
执行标准 Executive standard	GB/T 3836.1, GB/T 3836.2, GB/T 3836.31; EN 60079-0, EN 60079-1, EN 60079-28, EN 60079-31, IEC 60079-0, IEC 60079-1, IEC 60079-28, IEC 60079-31
壳体材质 Shell material	无铜铝, 表面喷塑 Copper-free aluminum, plastic sprayed surface
透明罩 Transparent cover	钢化玻璃, 抗4J冲击 Tempered glass, resistant to 4J impact
外露紧固件 Exposed fasteners	不锈钢 Stainless steel
LED驱动电源 Drive power	宽电压输入, 恒流恒压输出, 功率因数≥0.95, 具有分流、恒流、防浪涌、过电流、开路、短路、抗电磁干扰等保护功能。Wide voltage input, constant current and constant voltage output, power factor ≥0.95, with protection functions such as shunting, constant current, anti-surge, overcurrent, open circuit, short circuit, and anti-electromagnetic interference.
光源规格 Light source specifications	LED模块, 多颗排布 Module, multiple arrangement
光源功率 Light source power (W)	20W, 30W, 40W, 50W
色温 Color temperature (CCT)	5000±300K 注: 常规产品光源为冷白光, 如需暖白(2700~3500K)或自然白(4700~5400K)可定制, 下单时注明。 Note: The light source of conventional products is cold white light. If you need warm white (2700~3500K) or natural white (4700~5400K), it can be customized. Please specify when ordering.
额定电压 Rated voltage	AC220V、DC240V、DC36V 50/60Hz
接地保护 Ground protection	M5(灯具壳内外均配置接地螺钉)Grounding screws are equipped inside and outside the lamp housing)
防护等级 Protection level	IP65、IP66
周围环境温度 Ambient temperature	T6/T80°C for Tamb: -40°C~+45°C / T5/T95°C for Tamb: -40°C~+55°C
接线端子 Terminal block	3 x 1.5~4mm ² (L+N+PE)
安装方式 Installation method	吸顶式、立杆式、吊杆式、壁式、挂钩式 Ceiling type, pole type, boom type, wall type, hook type
电缆引入入口 Cable entry	M25 x 1.5
电缆引入装置 Cable entry device	见安装附件和备件表 See table of installation accessories and spare parts
适用电缆外径 Applicable cable outer diameter	Φ10~Φ14(mm)

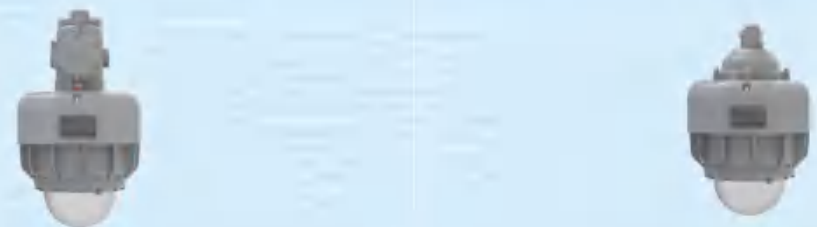


G 外形示意图 (所有尺寸单位为mm) - 可修改 Outline diagram (all dimensions in mm)-can be modified



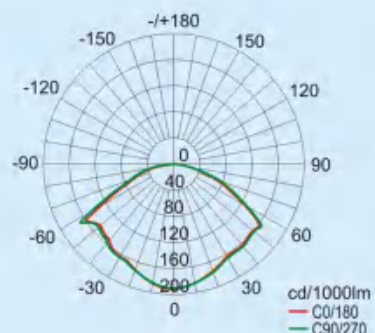
G 配光曲线 (注: LED光通量数据来自色温为冷白光 5000~300K的标准产品)

Light distribution curve (Note: LED luminous flux data comes from standard products with a color temperature of 5000~300K)



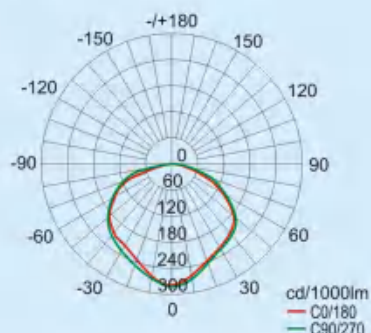
CN120-20-□

额定光通量:
Rated luminous flux:
30W LED: 3000lm
光效: 100lm/W



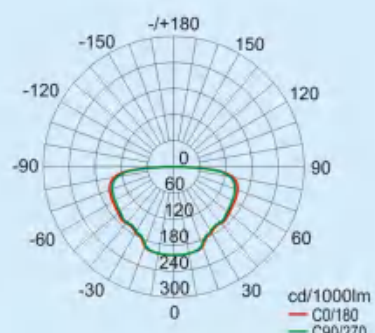
CN120-30-□

额定光通量:
Rated luminous flux:
70W LED: 7000lm
光效: 100lm/W



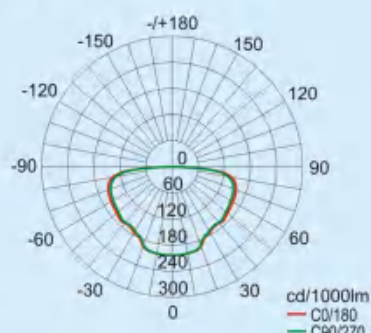
CN120-40-□

额定光通量:
Rated luminous flux:
50W LED: 5000lm
光效: 100lm/W



CN120-50-□

额定光通量:
Rated luminous flux:
100W LED: 10000lm
光效: 100lm/W



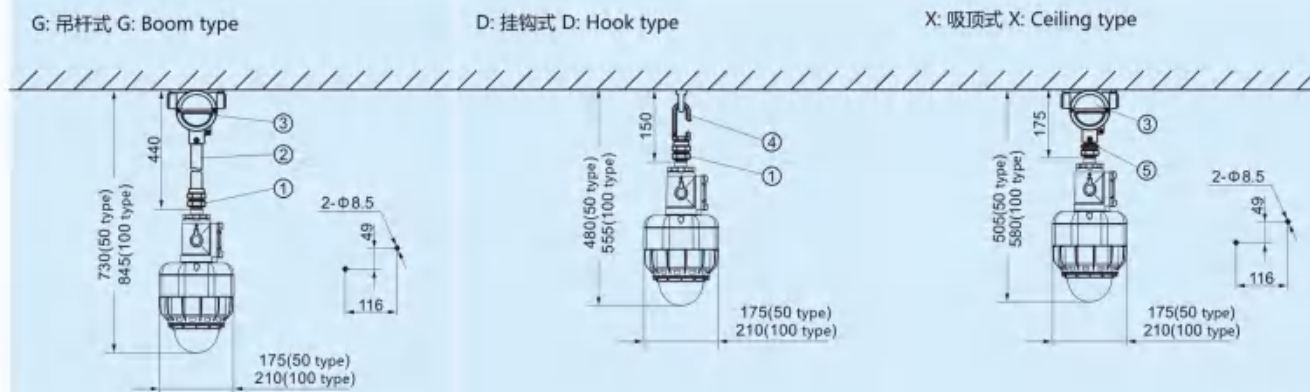
我们可以根据用户要求, 模拟现场环境和条件, 详细计算并提供现场照明设计方案及所有照明参数。

We can simulate the on-site environment and conditions according to user requirements, calculate in detail and provide on-site lighting design plans and all lighting parameters.



CN120-I 系列防爆LED照明灯
CN120 -I Series Explosion-proof LED lighting

G 安装方案举例 (所有尺寸单位为mm) - 可修改 Example of installation plan (all dimensions in mm)-can be modified



出厂配置如下:

- ① 防爆活接头 G3/4"(M)/M25 x 1.5(F), 碳钢。
- ② 直管(M25 x 1.5), 300mm。
- ③ Ex db IIC, 无铜铝。

The factory configuration is as follows:

- ① Explosion-proof union G3/4"(M)/M25 x 1.5(F), carbon steel.
- ② Straight pipe (M25 x 1.5), 300mm.
- ③ Ex db IIC, no copper and aluminum.

出厂配置如下:

- ① 防爆活接头 G3/4"(M)/M25 x 1.5(F), 碳钢。
- ④ 挂钩碳钢。

The factory configuration is as follows:

- ① Explosion-proof union G3/4"(M)/M25 x 1.5(F), carbon steel.
- ④ Hook carbon steel.

配件和灯具一起提供:

- ③ (Ex db IIC, 无铜铝)。
- ⑤ 防爆活接头 G3/4"(M)/M25 x 1.5(F), 碳钢。

Accessories and lamps are provided together:

- ③ (Ex db IIC, no copper and aluminum).
- ⑤ Explosion-proof union G3/4"(M)/M25 x 1.5(F), carbon steel.

B: 壁式 B: Wall type

出厂配置如下:

The factory configuration is as follows:

- ① 防爆活接头 G3/4"(M)/M25 x 1.5(F), 碳钢。
- ① Explosion-proof union G3/4"(M)/M25 x 1.5(F), carbon steel.
- ③ (Ex db IIC, 无铜铝)。
- ③ (Ex db IIC, no copper and aluminum).
- ⑥ 立杆由用户配置
- ⑥ The pole is configured by the user
- ⑦ 链条(450 mm)
- ⑦ Chain (450 mm)
- ⑧ 弯管 90°(M25 x 1.5)(400mm)
- ⑧ Elbow 90°(M25 x 1.5)(400mm)

出厂配置如下:

The factory configuration is as follows:

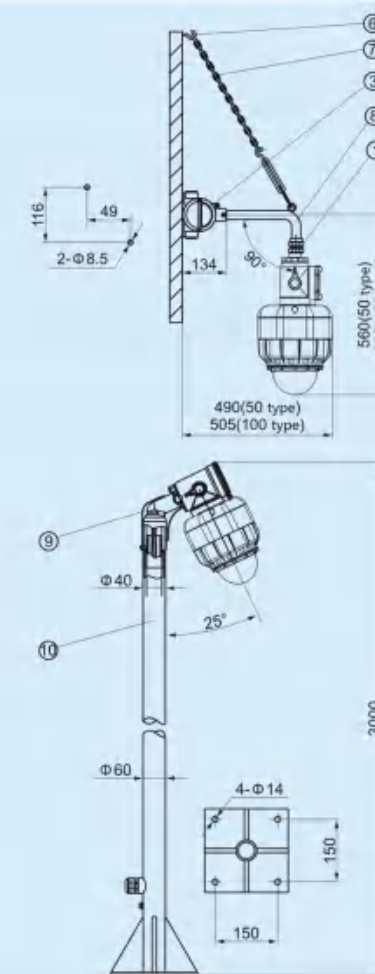
- ⑥ 立杆由用户配置。
- ⑥ The pole is configured by the user.
- ⑦ 锁紧螺钉, 1个。
- ⑦ Locking screw, 1 pc.
- ⑧ 垫圈, 2个。
- ⑧ Washers, 2 pcs.
- ⑨ 密封圈, 1个。
- ⑨ Sealing ring, one piece.

L: 立杆式 L: Vertical pole

出厂配置如下:

The factory configuration is as follows:

- ⑨ 立杆式接头
- ⑨ Vertical joint
- ⑩ 立杆 (由用户提供)
- ⑩ Pole (provided by the user)





CN120
系列防爆LED照明灯
CN120
Series Explosion-proof LED
lighting

IIB/IIC/Ex tb



C 产品概述 Product overview

- ◆ 防爆性能符合
 - CENELEC标准
 - IEC标准
 - NEC标准
- ◆ 适用于1区和2区 21区和22区 II类, 1区和2区 II类, 2区, 气体组别 A, B, C, D
- ◆ 3种壳体类型: I、II、III。
- ◆ 适用光源和光源功率: LED: 20W,30W,40W,50W,60W,70W,80W,100W,120W,130W,150W。
- ◆ 独立LED光源腔, 恒流恒压电源控制器腔, 接线腔隔离不相通, 采用空气对流的散热结构。
- ◆ 国际品牌白光LED, 多颗LED合理安排, 高光效, 长寿命。
- ◆ 两种类型的灯分布: 聚光灯和泛光灯可以根据要求挑选。
- ◆ 长达100,000小时的工作寿命, 少量维护保养。
- ◆ Explosion-proof performance complies with
 - CENELEC standard -IEC standard -NEC standard
- ◆ Suitable for zone 1 and zone 2 zone 21 and zone 22 class II, zone 1 and zone 2 class II, zone 2, gas group A, B, C, D
- ◆ 3 shell types: I、II、III.
- ◆ Applicable light source and light source power: LED: 20W,30W,40W,50W,60W,70W,80W,100W,120W,130W,150W.
- ◆ Independent LED light source cavity, constant current and constant voltage power supply controller cavity, wiring cavity is isolated and not connected, air convection is used for heat dissipation structure.
- ◆ International brand white LED, reasonable arrangement of multiple LEDs, high luminous efficiency and long life.
- ◆ Two types of light distribution: spotlights and floodlights can be selected according to requirements.
- ◆ Long working life of 100,000 hours, little maintenance.

1区& 2区; 21区& 22区

zone1, zone2, zone21, zone22

CN120 系列防爆LED照明灯
CN120 Series Explosion-proof LED lighting

G 型号含义 Model meaning

CN120 - □ - □ - □
□ □ □ □

- 防爆LED照明灯 Explosion-proof LED lighting
- 壳体规格 Shell specifications: I、II、III
- 光源功率 Light source power (W)
20、30、40、50、60、70、80、100、120、130、150
- 安装方式 Installation method
 - K: 支架式 Bracket type
 - X: 吸顶式 Ceiling type
 - B: 壁式 Wall type
 - H: 护栏立杆式 Guardrail pole type
 - D: 吊杆式 Boom type
 - G: 挂钩式 Hook type
 - L: 立杆式 Vertical pole

G 选配表 Selection table

型号/订货代号 Model/Order code	光源功率(W) Light source power(W)	型号/订货代号 Model/Order code	光源功率(W) Light source power(W)
CN120-□I□□	20	CN120-□II□□	80
CN120-□II□□	30	CN120-□III□□	100
CN120-□III□□	40	CN120-□III□□	120
CN120-□III□□	50	CN120-□III□□	130
CN120-□III□□	60	CN120-□III□□	150
CN120-□III□□	70		

注: 1. 按本表“型号/订货代号”供货, 含安装附件;

2. 本灯具有聚光和泛光两种配光, 标准产品为不带透镜泛光配光效果, 如须带透镜, 下单请注明。

Note: 1. Supply according to the "model/order code" of this table, including installation accessories;

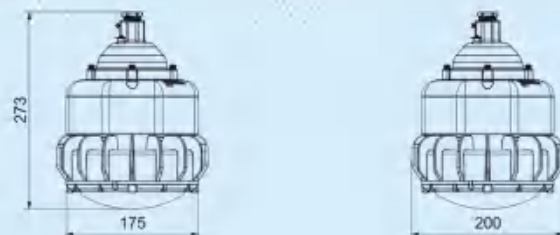
2. This lamp has two kinds of light distribution: condensing and flooding. The standard product has no lens and flood light distribution effect. If you need to bring a lens, please specify when placing an order.



G 技术参数 Technical parameter

防爆LED照明灯 Explosion-proof LED lighting	CN120-I
防爆型式 Explosion proof type 气体防爆型式 Gas explosion proof type 粉尘防爆型式 Dust explosion proof type	II2G Ex db IIC T6 Gb II2D Ex tb IIIC T80°C Db
执行标准 Executive standard	GB/T 3836.1, GB/T 3836.2, GB/T 3836.31; EN 60079-0, EN 60079-1, EN 60079-28, EN 60079-31, IEC 60079-0, IEC 60079-1, IEC 60079-28, IEC 60079-31
壳体材质 Shell material	无铜铝, 表面喷塑 Copper-free aluminum, plastic sprayed surface
玻璃罩 Glass cover	钢化玻璃, 抗4J冲击 Tempered glass, 4J impact resistance
外露紧固件 Exposed fasteners	不锈钢 Stainless steel
LED驱动电源 Drive power	宽电压输入, 恒流恒压输出, 功率因数 ≥ 0.95 , 具有分流、恒流、防浪涌、过电流、开路、短路、抗电磁干扰等保护功能。 Wide voltage input, constant current and constant voltage output, power factor ≥ 0.95 , with protection functions such as shunting, constant current, anti-surge, over current, open circuit, short circuit, and anti-electromagnetic interference.
光源规格 Light source specifications	LED模块, 多颗排布 Module, multiple arrangement
光源功率 Light source power (W)	20、30、40、50
LED色温 Color temperature (CCT)	冷白光 Cool white light: 5400~6500K 注: 常规产品光源为冷白光, 如需暖白(2700~3500K)或自然白(4700~5400K)可定制, 下单时注明。 Note: The light source of conventional products is cold white light. If you need warm white (2700~3500K) or natural white (4700~5400K), it can be customized. Please specify when ordering.
额定电压 Rated voltage	AC220V、DC24V、DC36V
接地保护 Ground protection	M4(灯具壳内外均配置接地螺钉) Grounding screws are equipped inside and outside the lamp housing)
防护等级 Protection level	IP65、IP66
周围环境温度 Ambient temperature	-40°C~+55°C
接线端子 Terminal block	3 x 1.5~4mm ² (L+N+PE)
安装方式 Installation method	支架式, 挂钩式, 立杆式, 吊杆式, 壁式, 吸顶式 Bracket type, hook type, pole type, boom type, wall type, ceiling type
电缆引入入口 Cable entry	1 x M25 x 1.5 (挂钩式, 立杆式, 吊杆式 Hook type, pole type, boom type) 2 x M25 x 1.5 (支架式 Bracket type) 4 x M25 x 1.5 (壁式, 吸顶式 Wall type, ceiling type)
电缆引入装置 Cable entry device	推荐使用 Recommend to use CN970-II(Ex db)或CN970-III(Ex db)

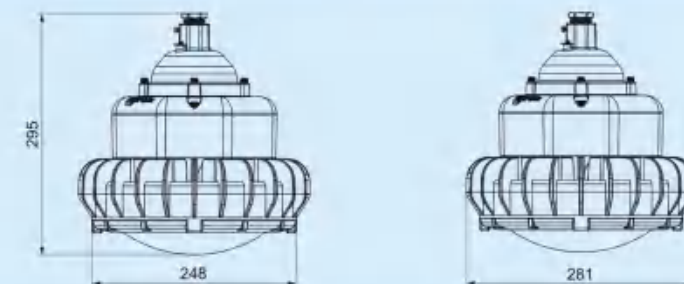
G 外形示意图 (所有尺寸单位为mm) - 可修改 Outline diagram (all dimensions in mm) - can be modified



G 技术参数 Technical parameter

防爆LED照明灯 Explosion-proof LED lighting	CN120-II
防爆型式 Explosion proof type 气体防爆型式 Gas explosion proof type 粉尘防爆型式 Dust explosion proof type	II2G Ex db IIC T6 Gb II2D Ex tb IIIC T80°C Db
执行标准 Executive standard	GB/T 3836.1, GB/T 3836.2, GB/T 3836.31; EN 60079-0, EN 60079-1, EN 60079-28, EN 60079-31, IEC 60079-0, IEC 60079-1, IEC 60079-28, IEC 60079-31
壳体材质 Shell material	无铜铝, 表面喷塑 Copper-free aluminum, plastic sprayed surface
玻璃罩 Glass cover	钢化玻璃, 抗4J冲击 Tempered glass, 4J impact resistance
外露紧固件 Exposed fasteners	不锈钢 Stainless steel
LED驱动电源 Drive power	宽电压输入, 恒流恒压输出, 功率因数 ≥ 0.95 , 具有分流、恒流、防浪涌、过电流、开路、短路、抗电磁干扰等保护功能。 Wide voltage input, constant current and constant voltage output, power factor ≥ 0.95 , with protection functions such as shunting, constant current, anti-surge, over current, open circuit, short circuit, and anti-electromagnetic interference.
光源规格 Light source specifications	LED模块, 多颗排布 Module, multiple arrangement
光源功率 Light source power (W)	60、70、80、100
LED色温 Color temperature (CCT)	冷白光 Cool white light: 5400~6500K 注: 常规产品光源为冷白光, 如需暖白(2700~3500K)或自然白(4700~5400K)可定制, 下单时注明。 Note: The light source of conventional products is cold white light. If you need warm white (2700~3500K) or natural white (4700~5400K), it can be customized. Please specify when ordering.
额定电压 Rated voltage	AC220V、DC24V、DC36V
接地保护 Ground protection	M4(灯具壳内外均配置接地螺钉) Grounding screws are equipped inside and outside the lamp housing)
防护等级 Protection level	IP65、IP66
周围环境温度 Ambient temperature	-40°C~+55°C
接线端子 Terminal block	3 x 1.5~4mm ² (L+N+PE)
安装方式 Installation method	支架式, 挂钩式, 立杆式, 吊杆式, 壁式, 吸顶式 Bracket type, hook type, pole type, boom type, wall type, ceiling type
电缆引入入口 Cable entry	1 x M25 x 1.5 (挂钩式, 立杆式, 吊杆式 Hook type, pole type, boom type) 2 x M25 x 1.5 (支架式 Bracket type) 4 x M25 x 1.5 (壁式, 吸顶式 Wall type, ceiling type)
电缆引入装置 Cable entry device	推荐使用 Recommend to use CN970-II(Ex db)或CN970-III(Ex db)

G 外形示意图 (所有尺寸单位为mm) - 可修改 Outline diagram (all dimensions in mm) - can be modified

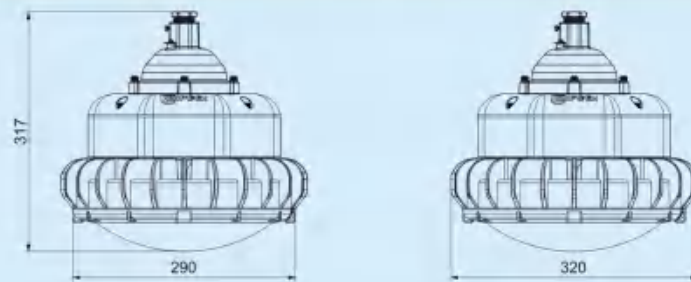




C 技术参数 Technical parameter

防爆LED照明灯 Explosion-proof LED lighting	CN120-III
防爆型式 Explosion proof type 气体防爆型式 Gas explosion proof type 粉尘防爆型式 Dust explosion proof type	II2G Ex db IIC T6 Gb II2D Ex tb IIIC T80°C Db
执行标准 Executive standard	GB/T 3836.1, GB/T 3836.2, GB/T 3836.31; EN 60079-0, EN 60079-1, EN 60079-28, EN 60079-31, IEC 60079-0, IEC 60079-1, IEC 60079-28, IEC 60079-31
壳体材质 Shell material	无铜铝, 表面喷塑 Copper-free aluminum, plastic sprayed surface
玻璃罩 Glass cover	钢化玻璃, 抗4J冲击 Tempered glass, 4J impact resistance
外露紧固件 Exposed fasteners	不锈钢 Stainless steel
LED驱动电源 Drive power	宽电压输入, 恒流恒压输出, 功率因数≥0.95, 具有分流、恒流、防浪涌、过电流、开路、短路、抗电磁干扰等保护功能。Wide voltage input, constant current and constant voltage output, power factor ≥0.95, with protection functions such as shunting, constant current, anti-surge, over current, open circuit, short circuit, and anti-electromagnetic interference.
光源规格 Light source specifications	LED模块, 多颗排布 Module, multiple arrangement
光源功率 Light source power (W)	120, 130, 150
LED色温 Color temperature (CCT)	冷白光 Cool white light: 5400~6500K 注: 常规产品光源为冷白光, 如需暖白(2700~3500K)或自然白(4700~5400K)可定制, 下单时注明。 Note: The light source of conventional products is cold white light. If you need warm white (2700~3500K) or natural white (4700~5400K), it can be customized. Please specify when ordering.
额定电压 Rated voltage	AC220V, DC24V, DC36V
接地保护 Ground protection	M4(灯具壳内外均配置接地螺钉) Grounding screws are equipped inside and outside the lamp housing)
防护等级 Protection level	IP65, IP66
周围环境温度 Ambient temperature	-40°C~+55°C
接线端子 Terminal block	3 x 1.5~4mm ² (L+N+PE)
安装方式 Installation method	支架式, 壁式, 吸顶式 Bracket type, wall type, ceiling type
电缆引入入口 Cable entry	2 x M25 x 1.5 (支架式 Bracket type) 4 x M25 x 1.5 (壁式, 吸顶式 Wall type, ceiling type)
电缆引入装置 Cable entry device	推荐使用 Recommend to use CN970-II(Ex db)或CN970-III(Ex db)

C 外形示意图 (所有尺寸单位为mm) - 可修改 Outline diagram (all dimensions in mm) - can be modified



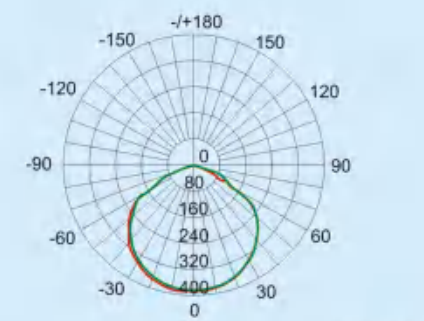
CN120 系列防爆LED照明灯
CN120 Series Explosion-proof LED lighting

C 配光曲线(注: LED光通量数据来自色温为冷白光5400~6500K的标准产品)

Light distribution curve (Note: LED luminous flux data comes from a standard product with a color temperature of 5400~6500K)

CN120-50-□□(标准无透镜)
CN120-50-□□(Standard without lens)

额定光通量:
Rated luminous flux:
60W LED: 6730lm
90W LED: 10120lm
光效: 112lm/W
Light efficiency: 112lm/W

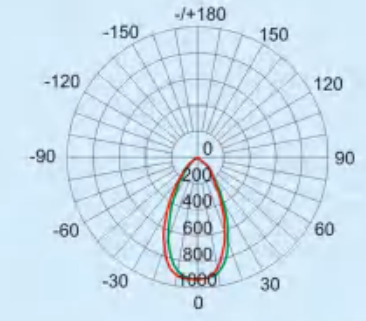


cd/1000lm
— C0/180
— C90/270

CN120-50-□□(带60°透镜)
CN120-50-□□(with 60° lens)

额定光通量:
Rated luminous flux:
60W LED: 6730lm
90W LED: 10120lm
光效: 112lm/W
Light efficiency: 112lm/W

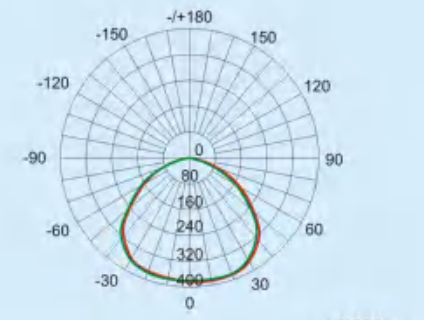
注: 可根据用户要求配置40°, 25°透镜
Note: 40°, 25° lens can be configured according to user requirements



cd/1000lm
— C0/180
— C90/270

CN120-100-□□(标准无透镜)
CN120-100-□□(Standard without lens)

额定光通量:
Rated luminous flux:
120W LED: 13420lm
160W LED: 17930lm
光效: 112lm/W
Light efficiency: 112lm/W

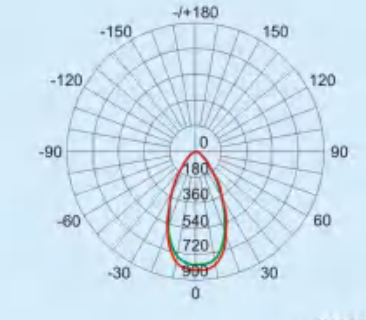


cd/1000lm
— C0/180
— C90/270

CN120-100-□□(带60°透镜)
CN120-100-□□(with 60° lens)

额定光通量:
Rated luminous flux:
120W LED: 13420lm
160W LED: 17930lm
光效: 112lm/W
Light efficiency: 112lm/W

注: 可根据用户要求配置40°, 25°透镜
Note: 40°, 25° lens can be configured according to user requirements



cd/1000lm
— C0/180
— C90/270



C 配光曲线(注: LED光通量数据来自色温为冷白光5400~6500K的标准产品)

Light distribution curve (Note: LED luminous flux data comes from a standard product with a color temperature of 5400~6500K)

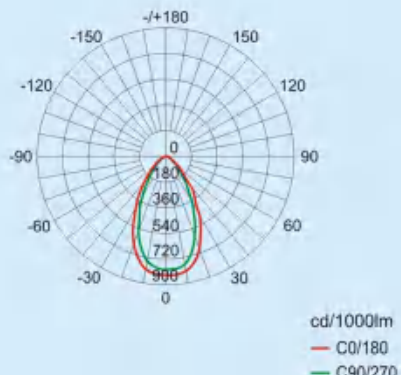
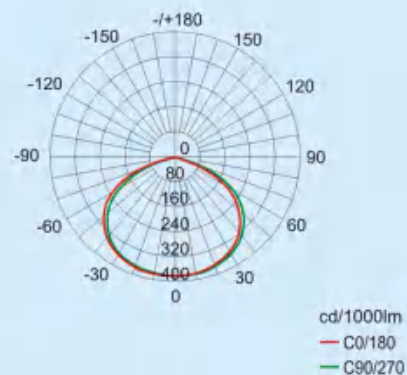
CN120-150-□□(标准无透镜)
CN120-150-□□(Standard without lens)

额定光通量:
Rated luminous flux:
200W LED: 24000lm
240W LED: 28800lm
光效: 120lm/W
Light efficiency: 120lm/W

CN120-150-□□(带60°透镜)
CN120-150-□□(with 60° lens)

额定光通量:
Rated luminous flux:
200W LED: 24000lm
240W LED: 28800lm
光效: 120lm/W
Light efficiency: 120lm/W

注: 可根据用户要求配置40°, 25°透镜
Note: 40°, 25° lens can be configured according to user requirements

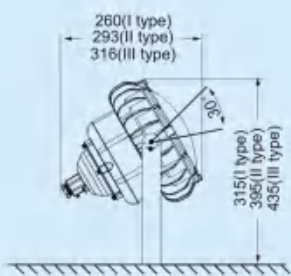
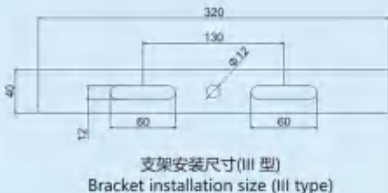
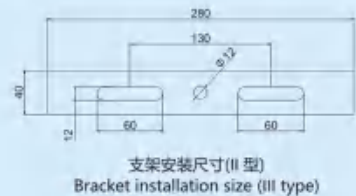
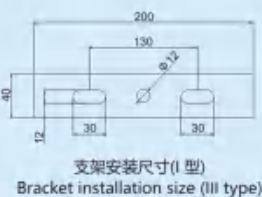
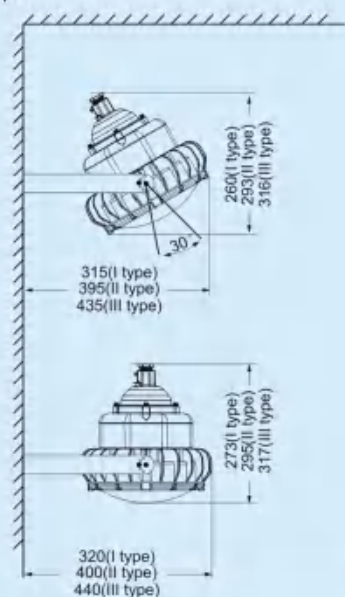


我们可以根据用户要求, 模拟现场环境和条件, 详细计算并提供现场照明设计方案及所有照明参数。

We can simulate the on-site environment and conditions according to user requirements, calculate in detail and provide on-site lighting design plans and all lighting parameters.

C 安装方案举例(所有尺寸单位为mm) - 可修改 Example of installation plan (all dimensions in mm)-can be modified

K: 支架式
K: Bracket type

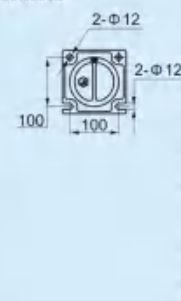
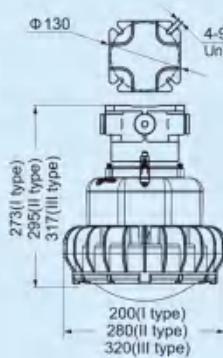


C 安装方案举例(所有尺寸单位为mm) - 可修改 Example of installation plan (all dimensions in mm)-can be modified

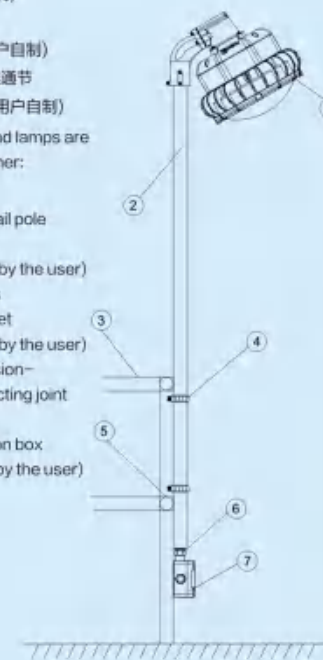
X: 吸顶式
X: Ceiling type

B: 壁式
B: Wall type

H: 护栏立杆式
H: Guardrail pole type



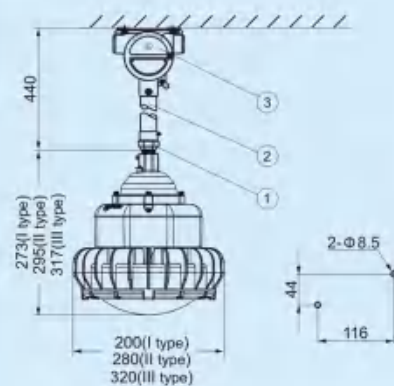
配件和灯具一起提供:
①. 灯具
②. 11/4"护栏立杆
③. 护栏(用户自制)
④. 管卡
⑤. 固定支架(用户自制)
⑥. G3/4"防爆连接节
⑦. 防爆接线盒(用户自制)
Accessories and lamps are provided together:
①. Lamps
②. 11/4" guardrail pole
③. Guardrail (self-made by the user)
④. Pipe clamps
⑤. Fixed bracket (self-made by the user)
⑥. G3/4" explosion-proof connecting joint
⑦. Explosion-proof junction box (self-made by the user)



D: 吊杆式
D: Boom type

配件和灯具一起提供:

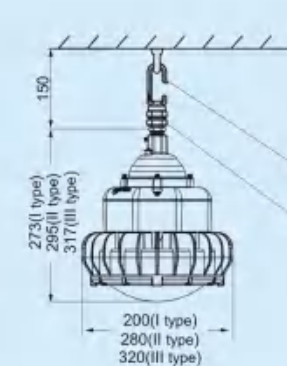
- ①. 防爆接头M25×1.5(M)/M25×1.5(F), 碳钢。
 - ②. 直管(M25×1.5), 长度:300mm。
 - ③. (用于I型和II型:无铜铝; 用于III型:铸铁)。
- Accessories and lamps are provided together:
①. Explosionproof connector M25×1.5(M)/M25×1.5(F), carbon steel.
②. Straight pipe (M25×1.5), length: 300mm.
③. (For I type and II type: copper-free aluminum; for III type: cast iron).



G: 挂钩式
G: Hook type

配件和灯具一起提供:

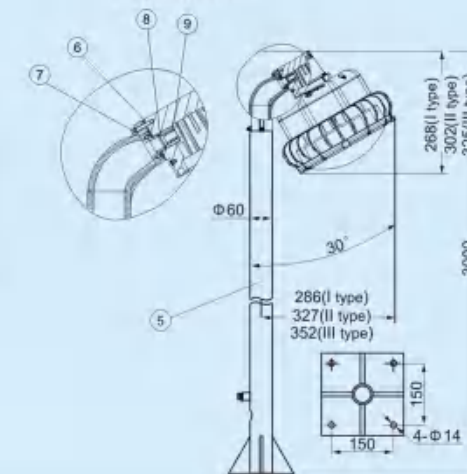
- ①. 防爆接头M25×1.5(M)/M25×1.5(F), 碳钢。
 - ④. 挂钩(碳钢)。
- Accessories and lamps are provided together:
①. Explosion-proof connector M25×1.5(M)/M25×1.5(F), carbon steel.
④. Hook (carbon steel).



L: 立杆式
L: Vertical pole

配件和灯具一起提供:

- ⑤. 立杆(由用户提供)
 - ⑥. 密封垫
 - ⑦. 锁紧螺钉
 - ⑧. 垫圈
 - ⑨. 密封橡皮
- Accessories and lamps are provided together:
⑤. Pole (provided by the user)
⑥. Sealing gasket
⑦. Locking screw
⑧. Washer
⑨. Sealing rubber





CN120-III
系列防爆LED应急灯
CN120-III
Series Explosion proof LED
emergency light

IIB/IIC/Ex tb



C 产品概述 Product overview

- ◆ 防爆性能符合
 - CENELEC标准
 - IEC标准
 - NEC标准
- ◆ 适用于 1区和2区 21区和22区 II类, 1区和2区 II类, 2区, 气体组别 A, B, C, D.
- ◆ 独立LED光源腔, 恒流恒压电源控制器腔, 接线腔隔离不相通, 采用空气对流的散热结构。
- ◆ 国际品牌白光LED, 多颗LED合理排布, 高光效, 长寿命。
- ◆ 应急设备配备电池, 自动充电, 当电源断开时, 应急设备开始工作, 具有过充和过放电保护。
- ◆ 钢化玻璃罩, 抗热剧变。
- ◆ 长达10,000小时的工作寿命, 少量维护保养。
- ◆ Explosion-proof performance complies with
 - CENELEC standard -IEC standard -NEC standard
- ◆ Suitable for zone 1 and zone 2 zone 21 and zone 22 class II, zone 1 and zone 2 class II, zone 2, gas group A, B, C, D.
- ◆ Independent LED light source cavity, constant current and constant voltage power supply controller cavity, wiring cavity is isolated and not connected, air convection is used for heat dissipation structure.
- ◆ International brand white LED, reasonable arrangement of multiple LEDs, high luminous efficiency and long life.
- ◆ The emergency equipment is equipped with batteries, which are automatically charged. When the power supply is disconnected, the emergency equipment starts to work, with overcharge and over discharge protect.
- ◆ Toughened glass cover, resistant to drastic changes in heat.
- ◆ Long working life of 10,000 hours, little maintenance.

1区& 2区; 21区& 22区

zone1, zone2, zone21, zone22

CN120-III 系列防爆LED应急灯
CN120-III Series Explosion proof LED emergency light

C 型号含义 Model meaning

CN120-III □ - □
□ □ □

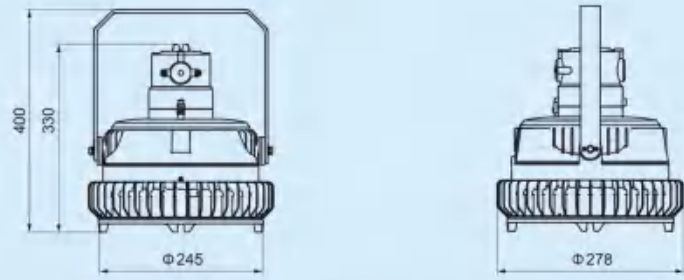
- 防爆LED应急灯 Explosion proof LED emergency light
- 光源功率 Light source power (W)
- 安装方式 Installation method
K: 支架式 Bracket type

C 技术参数 Technical parameter

防爆LED应急灯 Explosion proof LED emergency light	CN120-III-J-30□
防爆型式 Explosion proof type	Ex IIBG Ex db IIC T6 Gb
气体防爆型式 Gas explosion proof type	Ex IIBD Ex tb IIC T80°C Db
粉尘防爆型式 Dust explosion proof type	
执行标准 Executive standard	GB/T 3836.1, GB/T 3836.2, GB/T 3836.31; EN 60079-0, EN 60079-1, EN 60079-28, EN 60079-31, IEC 60079-0, IEC 60079-1, IEC 60079-28, IEC 60079-31
壳体材质 Shell material	无铜铝, 表面喷塑 Copper-free aluminum, plastic sprayed surface
玻璃罩 Glass cover	钢化玻璃, 抗4J冲击 Tempered glass, 4J impact resistance
外露紧固件 Exposed fasteners	不锈钢 Stainless steel
LED驱动电源 Drive power	宽电压输入, 恒流恒压输出, 功率因数≥0.95, 具有分流、恒流、防浪涌、过电流、开路、短路、抗电磁干扰等保护功能。Wide voltage input, constant current and constant voltage output, power factor ≥0.95, with protection functions such as shunting, constant current, anti-surge, over current, open circuit, short circuit, and anti-electromagnetic interference.
应急控制器 Emergency controller	内置专用应急控制器及电池, 具有过充电和过放电保护功能 Built-in special emergency controller and battery, with over-charge and over-discharge protection functions
光源规格 Light source specifications	LED模块, 多颗排布 Module, multiple arrangement
光源功率 Light source power (W)	30W
应急光源 Emergency light source (W)	20W
LED色温 Color temperature (CCT)	冷白光 Cold white light: 5400~6500K 注: 常规产品光源为冷白光, 如需暖白(2700~3500K)或自然白(4700~5400K)可定制, 下单时注明。 Note: The light source of conventional products is cold white light. If you need warm white (2700~3500K) or natural white (4700~5400K), it can be customized. Please specify when ordering.
额定电压 Rated voltage	100~277V AC 50/60Hz
充电时间 Charging time	24h
应急时间 Emergency time	90min(120min 可选 Optional)
接地保护 Ground protection	M5(灯具壳内外均配置接地螺钉Grounding screws are equipped inside and outside the lamp housing)
防护等级 Protection level	IP65, IP66
周围环境温度 Ambient temperature	-40°C~+55°C
接线端子 Terminal block	5 x 1.5~4mm ²
安装方式 Installation method	支架式 Bracket type
电缆引入口 Cable entry	2 x M25 x 1.5 (支架式 Bracket type)
电缆引入装置 Cable entry device	推荐使用 Recommend to use CN970-II(Ex db)或or CN970-III(Ex db)



G 外形示意图 (所有尺寸单位为mm) - 可修改 Outline diagram (all dimensions in mm)-can be modified



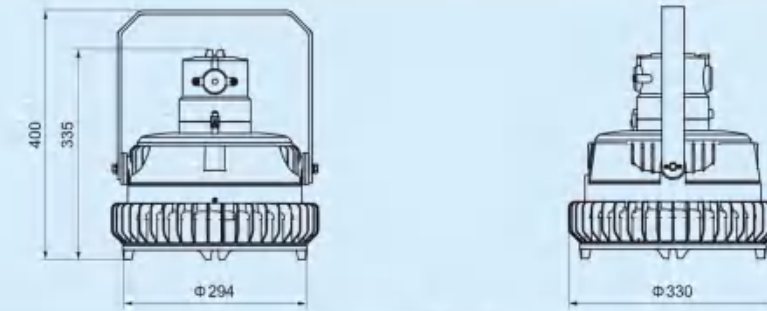
CN120-III-J-30-□

G 技术参数 Technical parameter

防爆LED应急灯 Explosion proof LED emergency light	CN120-III-J-60□
防爆型式 Explosion proof type	Ex II2G Ex db IIC T6 Gb
气体防爆型式 Gas explosion proof type	Ex II2D Ex tb IIIC T80°C Db
粉尘防爆型式 Dust explosion proof type	
执行标准 Executive standard	GB/T 3836.1, GB/T 3836.2, GB/T 3836.31; EN 60079-0, EN 60079-1, EN 60079-28, EN 60079-31, IEC 60079-0, IEC 60079-1, IEC 60079-28, IEC 60079-31
壳体材质 Shell material	无铜铝, 表面喷塑 Copper-free aluminum, plastic sprayed surface
玻璃罩 Glass cover	钢化玻璃, 抗4J冲击 Tempered glass, 4J impact resistance
外露紧固件 Exposed fasteners	不锈钢 Stainless steel
LED驱动电源 Drive power	宽电压输入, 恒流恒压输出, 功率因数≥0.95, 具有分流、恒流、防浪涌、过电流、开路、短路、抗电磁干扰等保护功能。Wide voltage input, constant current and constant voltage output, power factor ≥0.95, with protection functions such as shunting, constant current, anti-surge, over current, open circuit, short circuit, and anti-electromagnetic interference.
应急控制器 Emergency controller	内置专用应急控制器及电池, 具有过充电和过放电保护功能 Built-in special emergency controller and battery, with over-charge and over-discharge protection functions
光源规格 Light source specifications	LED模块, 多颗排布 Module, multiple arrangement
光源功率 Light source power (W)	60W
应急光源 Emergency light source (W)	40W
LED色温 Color temperature (CCT)	冷白光 Cool white light: 5400~6500K 注: 常规产品光源为冷白光, 如需暖白(2700~3500K)或自然白(4700~5400K)可定制, 下单时注明。 Note: The light source of conventional products is cold white light. If you need warm white (2700~3500K) or natural white (4700~5400K), it can be customized. Please specify when ordering.
额定电压 Rated voltage	100~277V AC 50/60Hz
充电时间 Charging time	24h
应急时间 Emergency time	90min
接地保护 Ground protection	M5(灯具壳内外均配置接地螺钉)Grounding screws are equipped inside and outside the lamp housing)
防护等级 Protection level	IP65、IP66
周围环境温度 Ambient temperature	-40°C~+55°C
接线端子 Terminal block	5 x 1.5~4mm ²
安装方式 Installation method	支架式 Bracket type
电缆引入入口 Cable entry	2 x M25 x 1.5 (支架式 Bracket type)
电缆引入装置 Cable entry device	推荐使用 Recommend to use CN970-II(Ex db)或or CN970-III(Ex db)

CN120-III 系列防爆LED应急灯
CN120-III Series Explosion proof LED emergency light

G 外形示意图 (所有尺寸单位为mm) - 可修改 Outline diagram (all dimensions in mm)-can be modified



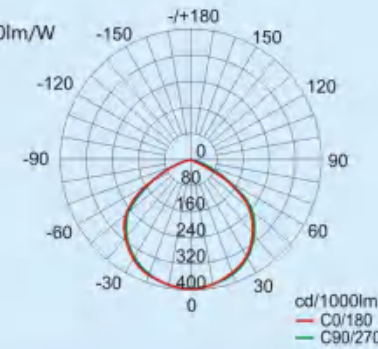
CN120-III-J-60-□

G 配光曲线 (注: LED光通量数据来自色温为冷白光 5400~6500K的标准产品)

Light distribution curve (Note: LED luminous flux data comes from a standard product with a color temperature of 5400~6500K)

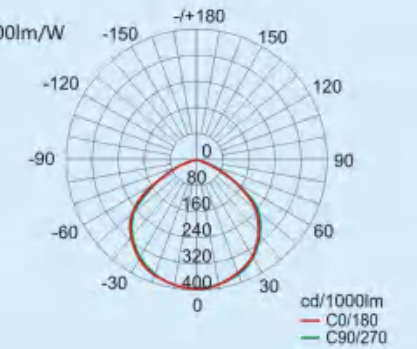
CN120-III-J-30-□(标准无透镜)
CN120-III-J-30-□(Standard without lens)

额定光通量:
30W LED: 3000lm
光效: 100lm/W
Light efficiency: 100lm/W



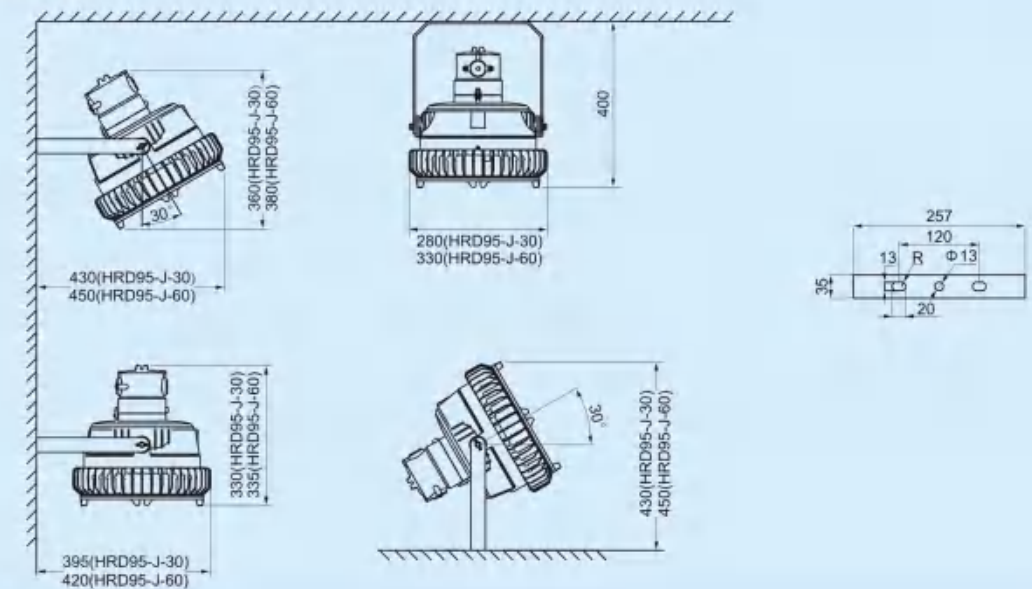
CN120-III-J-60-□(标准无透镜)
CN120-III-J-60-□(Standard without lens)

额定光通量:
60W LED: 6000lm
光效: 100lm/W
Light efficiency: 100lm/W



G 安装方案举例(所有尺寸单位为mm) - 可修改 Example of installation plan (all dimensions in mm)-can be modified

K: 支架式 K: Bracket type





CN120-IV
系列防爆LED灯
CN120-IV
Series Explosion-proof LED
lamp

IIB/IIC/Ex tb



C 产品概述 Product overview

- ◆ 防爆性能符合 -CENELEC标准 -IEC标准 -NEC标准
- ◆ 适用于 1区和2区 21区和22区 II类, 1区和2区 II类, 2区, 气体组别 A, B, C, D.
- ◆ 2种壳体类型: 90, 160.
- ◆ 适用光源和光源功率 (max.160W): LED: 60W, 90W, 120W, 160W.
- ◆ 独立LED光源腔, 恒流恒压电源控制器腔, 接线腔隔离不相通, 采用空气对流的散热结构.
- ◆ 采用新型COB技术大功率白光LED阵列, 单颗功率可达20W~40W, 高光效, 长寿命.
- ◆ 有聚光和泛光两种配光效果, 用户可根据需要选择照明方式做照明灯或投光灯使用.
- ◆ 160型灯具可实现两灯组合成一体, 整机功率为2x120W, 2X160W.
- ◆ 长达100,000小时的工作寿命, 少量维护保养.
- ◆ Explosion-proof performance complies with
-CENELEC standard -IEC standard -NEC standard
- ◆ Suitable for zone 1 and zone 2 zone 21 and zone 22 class II, zone 1 and zone 2 class II, zone 2, gas group A, B, C, D.
- ◆ 2 shell types: 90, 160.
- ◆ Applicable light source and light source power (max.160W): LED: 60W, 90W, 120W, 160W.
- ◆ Independent LED light source cavity, constant current and constant voltage power supply controller cavity, wiring cavity is isolated and not connected, using air convection heat dissipation structure.
- ◆ Adopt new COB technology high-power white LED array, single power can reach 20W~40W, high luminous efficiency, long life.
- ◆ There are two kinds of light distribution effects: spotlight and floodlight. Users can choose the lighting method to use as illuminating lamp or floodlight according to their needs.
- ◆ Type 160 lamps can combine two lamps into one, and the power of the whole machine is 2x120W, 2X160W.
- ◆ Up to 100,000 hours of working life, small amount of maintenance.

1区& 2区; 21区& 22区

zone1, zone2, zone21, zone22

CN120-IV 系列防爆LED灯
CN120-IV Series Explosion-proof LED lamp

C 型号含义 Model meaning

CN120-IV - □ - □ □
□ □ □ □

- 防爆LED灯 Explosion-proof LED lamp
- 壳体类型 Enclosure type: 90、160
- 光源功率 Light source power (W)
- 安装方式 Installation method
- K: 支架式 Bracket type
- D: 挂钩式 Hook type
- L: 立杆式 Vertical pole
- 支架式 Bracket type
- 马路灯式 Street lamp

C 选配表 Selection table

型号/订货代号 Model/Order code	光源功率(W) Light source power(W)	型号/订货代号 Model/Order code	光源功率(W) Light source power(W)	型号/订货代号 Model/Order code	光源功率(W) Light source power(W)
CN120-IV-90-60K	60	CN120-IV-90-60D	60	CN120-IV-90-60L	60
CN120-IV-90-90K	90	CN120-IV-90-90D	90	CN120-IV-90-90L	90
CN120-IV-160-120K	120	CN120-IV-160-120D	120	CN120-IV-160-120L	120
CN120-IV-160-160K	160	CN120-IV-160-160D	160	CN120-IV-160-160L	160

注: 1. 按本表 "型号/订货代号" 供货, 含安装附件;

2. 本灯具有聚光和泛光两种配光, 标准产品为不带透镜泛光配光效果, 如须带透镜, 下单请注明。

Note: 1. Supply according to the "model/order code" of this table, including installation accessories;

2. This lamp has two kinds of light distribution: condensing and flooding. The standard product is the flooding light distribution effect without lens. If you need to bring a lens, please specify when placing an order.



C 技术参数 Technical parameter

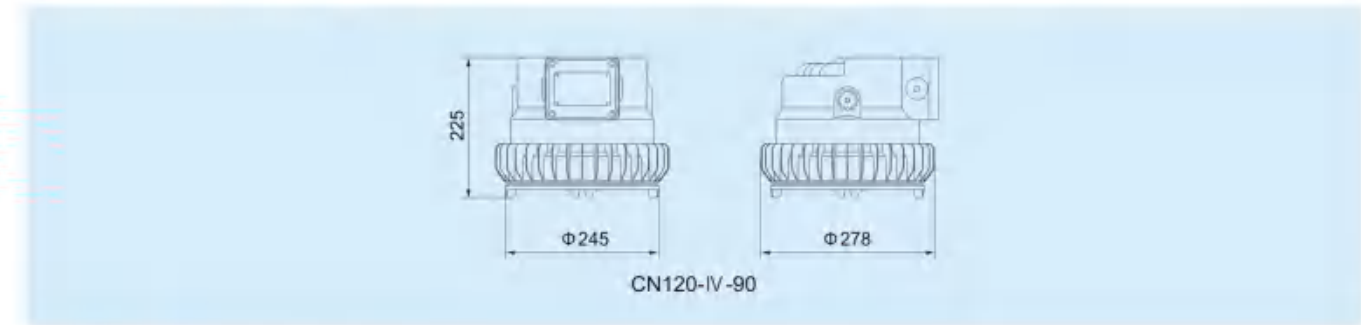
防爆LED灯 Explosion proof LED lamp	CN120-IV-90-□□
防爆型式 Explosion proof type	Ex II2G Ex db IIC T6 Gb
气体防爆型式 Gas explosion proof type	Ex II2D Ex tb IIIC T80°C Db
粉尘防爆型式 Dust explosion proof type	
执行标准 Executive standard	GB/T 3836.1, GB/T 3836.2, GB/T 3836.31 EN 60079-0, EN 60079-1, EN 60079-7, EN 60079-31 IEC 60079-0, IEC 60079-1, IEC 60079-7, IEC 60079-31 CSA C22.2 NO.137-M1981; UL 844; UL 8750; UL 1598 CSA C22.2 NO.250.0-08; CSA C22.2 NO.250.13-14
壳体材质 Shell material	无铜铝, 表面喷塑 Copper-free aluminum, plastic sprayed surface
玻璃罩 Glass cover	钢化玻璃, 抗4J冲击 Tempered glass, anti-4J impact
外露紧固件 Exposed fasteners	不锈钢 Stainless steel
LED驱动电源 Drive power	宽电压输入, 恒流恒压输出, 功率因数≥0.95, 具有分流、恒流、防浪涌、过电流、开路、短路、抗电磁干扰等保护功能。 Wide voltage input, constant current and constant voltage output, power factor ≥0.95, with protection functions such as shunting, constant current, anti-surge, over current, open circuit, short circuit, and anti-electromagnetic interference.
光源规格 Light source specifications	集成式LED, 多颗排布 Integrated LED, multiple arrangement
光源功率 Light source power (W)	60W, 90W
LED色温 Color temperature (CCT)	冷白光 Cool white light: 5400~6500K 注: 常规产品光源为冷白光, 如需暖白(2700~3500K)或自然白(4700~5400K)可定制, 下单时注明。 Note: The light source of conventional products is cold white light. If you need warm white (2700~3500K) or natural white (4700~5400K), it can be customized. Please specify when ordering.
额定电压 Rated voltage	100~300V AC 50/60Hz
接地保护 Ground protection	M5(灯具壳内外均配置接地螺钉)Grounding screws are equipped inside and outside the lamp housing)
防护等级 Protection level	IP65、IP66
周围环境温度 Ambient temperature	-40°C~+55°C
接线端子 Terminal block	3 x 1.5~4mm ² (L+N+PE)
安装方式 Installation method	支架式、挂钩式、立杆式 Bracket type, hook type, pole type
电缆引入入口 Cable entry	2 x M25 x 1.5 堵头 Plugging
电缆引入装置 Cable entry device	推荐使用 Recommend to use CN970-I(Ex db)

C 选配表 Selection table

额定功率(W) Rated power(W)	温度组别 Temperature group			
	-40°C ≤ Ta ≤ +40°C		-40°C ≤ Ta ≤ +55°C	
	气体 Gas	粉尘 Dust	气体 Gas	粉尘 Dust
60	67°C (T5)	62°C	82°C (T5)	77°C
90	87°C (T4)	82°C	102°C (T4)	97°C

CN120-IV 系列防爆LED灯
CN120-IV Series Explosion-proof LED lamp

C 外形示意图 (所有尺寸单位为mm) - 可修改 Outline diagram (all dimensions in mm)-can be modified



C 技术参数 Technical parameter

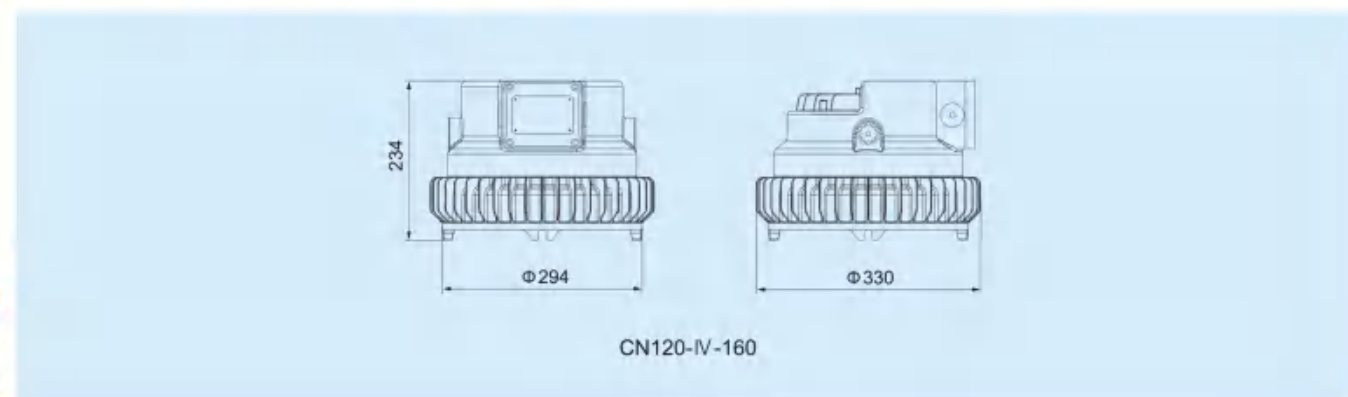
防爆LED灯 Explosion proof LED lamp	CN120-IV-160-□□
防爆型式 Explosion proof type	Ex II2G Ex db IIC T6 Gb
气体防爆型式 Gas explosion proof type	Ex II2D Ex tb IIIC T80°C Db
粉尘防爆型式 Dust explosion proof type	
执行标准 Executive standard	GB/T 3836.1, GB/T 3836.2, GB/T 3836.31 EN 60079-0, EN 60079-1, EN 60079-7, EN 60079-31 IEC 60079-0, IEC 60079-1, IEC 60079-7, IEC 60079-31 CSA C22.2 NO.137-M1981; UL 844; UL 8750; UL 1598 CSA C22.2 NO.250.0-08; CSA C22.2 NO.250.13-14
壳体材质 Shell material	无铜铝, 表面喷塑 Copper-free aluminum, plastic sprayed surface
玻璃罩 Glass cover	钢化玻璃, 抗4J冲击 Tempered glass, 4J impact resistance
外露紧固件 Exposed fasteners	不锈钢 Stainless steel
LED驱动电源 Drive power	宽电压输入, 恒流恒压输出, 功率因数≥0.95, 具有分流、恒流、防浪涌、过电流、开路、短路、抗电磁干扰等保护功能。 Wide voltage input, constant current and constant voltage output, power factor ≥0.95, with protection functions such as shunting, constant current, anti-surge, over current, open circuit, short circuit, and anti-electromagnetic interference.
光源规格 Light source specifications	集成式LED, 多颗排布 Integrated LED, multiple arrangement
光源功率 Light source power (W)	120W, 160W
LED色温 Color temperature (CCT)	冷白光 Cold white light: 5400~6500K 注: 常规产品光源为冷白光, 如需暖白(2700~3500K)或自然白(4700~5400K)可定制, 下单时注明。 Note: The light source of conventional products is cold white light. If you need warm white (2700~3500K) or natural white (4700~5400K), it can be customized. Please specify when ordering.
额定电压 Rated voltage	100~300V AC 50/60Hz
接地保护 Ground protection	M5(灯具壳内外均配置接地螺钉)Grounding screws are equipped inside and outside the lamp housing)
防护等级 Protection level	IP65、IP66
周围环境温度 Ambient temperature	-40°C~+55°C
接线端子 Terminal block	3 x 1.5~4mm ² (L+N+PE)
安装方式 Installation method	支架式、挂钩式、立杆式 Bracket type, hook type, pole type
电缆引入入口 Cable entry	2 x M25 x 1.5 堵头 Plugging
电缆引入装置 Cable entry device	推荐使用 Recommend to use CN970-I(Ex db)。



C 选配表 Selection table

额定功率(W) Rated power(W)	温度组别 Temperature group			
	-40°C ≤ Ta ≤ +40°C		-40°C ≤ Ta ≤ +55°C	
	气体 Gas	粉尘 Dust	气体 Gas	粉尘 Dust
120	72°C (T5)	67°C	87°C (T5)	82°C
160	92°C (T4)	87°C	107°C (T4)	102°C

C 外形示意图 (所有尺寸单位为mm) - 可修改 Outline diagram (all dimensions in mm) - can be modified

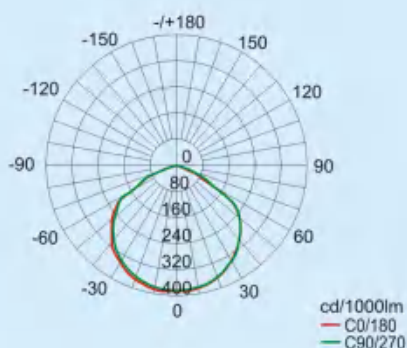


C 配光曲线 (注: LED光通量数据来自色温为冷白光 5400~6500K的标准产品)

Light distribution curve (Note: LED luminous flux data comes from a standard product with a color temperature of 5400~6500K)

CN120-IV-90-□□(标准无透镜)
CN120-IV-90-□□(Standard without lens)

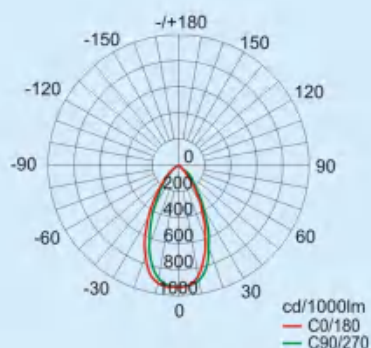
额定光通量:
Rated luminous flux:
60W LED: 6730lm
90W LED: 10120lm
光效: 112lm/W
Light efficiency: 112lm/W



CN120-IV-90-□□(带60°透镜)
CN120-IV-90-□□(with 60° lens)

额定光通量:
Rated luminous flux:
60W LED: 6730lm
90W LED: 10120lm
光效: 112lm/W
Light efficiency: 112lm/W

注: 可根据用户要求配置45°, 30°透镜
Note: You can configure the 45°, 30° lens according to user requirements

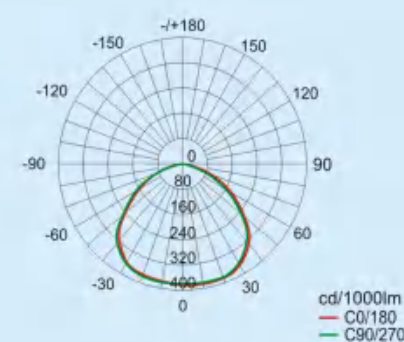


C 配光曲线 (注: LED光通量数据来自色温为冷白光 5400~6500K的标准产品)

Light distribution curve (Note: LED luminous flux data comes from a standard product with a color temperature of 5400~6500K)

CN120-IV-160-□□(标准无透镜)
CN120-IV-160-□□(Standard without lens)

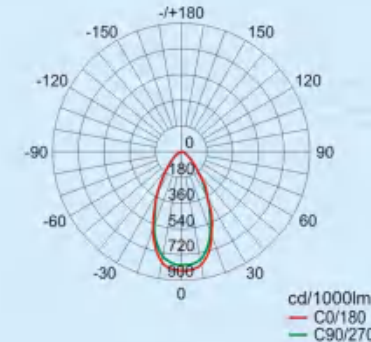
额定光通量:
Rated luminous flux:
120W LED: 13420lm
160W LED: 17930lm
光效: 112lm/W
Light efficiency: 112lm/W



CN120-IV-160-□□(带60°透镜)
CN120-IV-160-□□(with 60° lens)

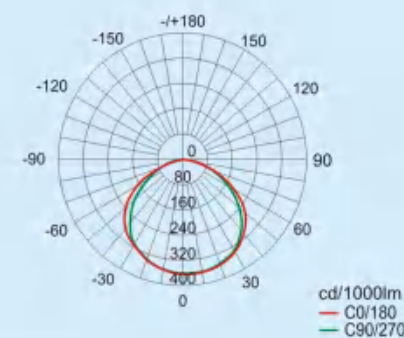
额定光通量:
Rated luminous flux:
120W LED: 13420lm
160W LED: 17930lm
光效: 112lm/W
Light efficiency: 112lm/W

注: 可根据用户要求配置45°, 30°透镜
Note: You can configure the 45°, 30° lens according to user requirements



CN120-IV-160-□□(标准无透镜)
CN120-IV-160-□□(Standard without lens)

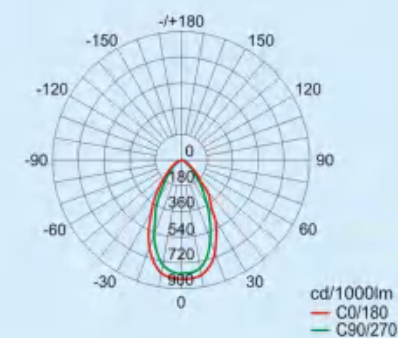
注: 2灯合1组合成一体测试参数
Note: 2 lights in 1 combined into one test parameter
额定光通量:
Rated luminous flux:
2×120W LED: 26880lm
2×160W LED: 35860lm
光效: 112lm/W
Light efficiency: 112lm/W



CN120-IV-160-□□(带60°透镜)
CN120-IV-160-□□(with 60° lens)

注: 2灯合1组合成一体测试参数
Note: 2 lights in 1 combined into one test parameter
额定光通量:
Rated luminous flux:
2×120W LED: 26880lm
2×160W LED: 35860lm
光效: 112lm/W
Light efficiency: 112lm/W

注: 可根据用户要求配置45°, 30°透镜
Note: You can configure the 45°, 30° lens according to user requirements



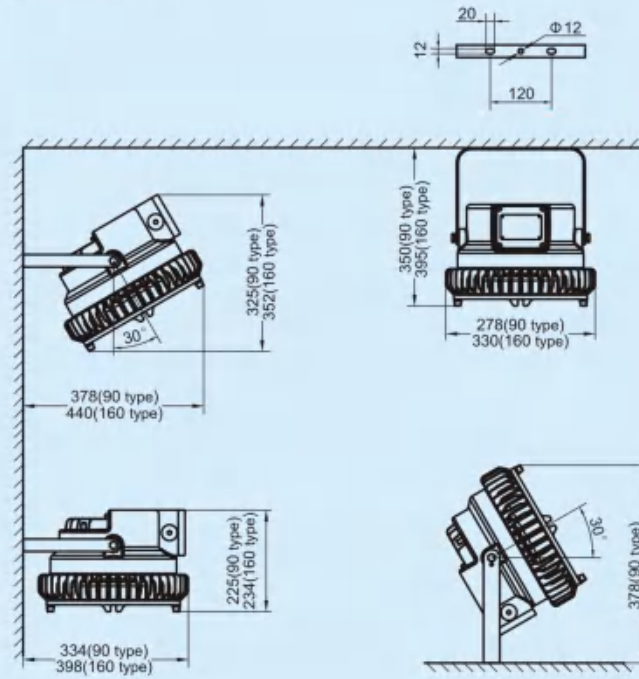
我们可以根据用户要求, 模拟现场环境和条件, 详细计算并提供现场照明设计方案及所有照明参数。

We can simulate the on-site environment and conditions according to user requirements, calculate in detail and provide on-site lighting design plans and all lighting parameters.

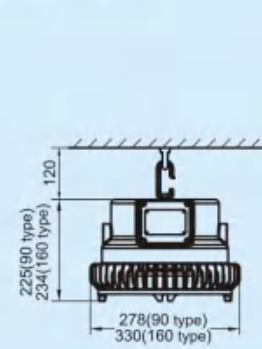


G 安装方案举例 (所有尺寸单位为mm) - 可修改 Example of installation plan (all dimensions in mm)-can be modified

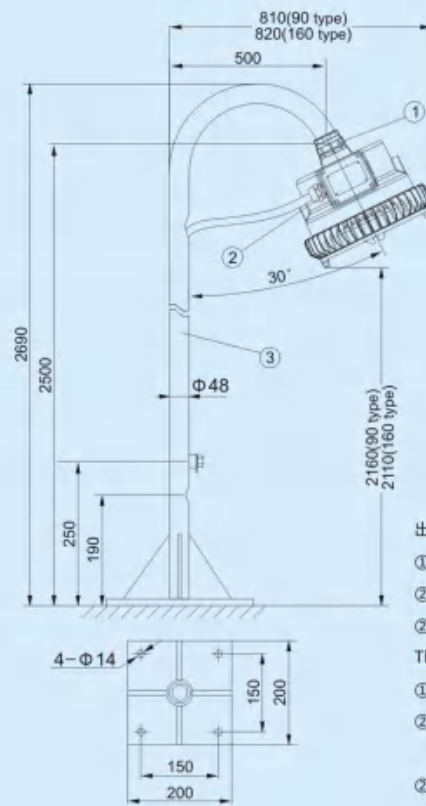
K: 支架式 K: Bracket type



D: 挂钩式 D: Hook type



L: 立杆式 L: Vertical pole



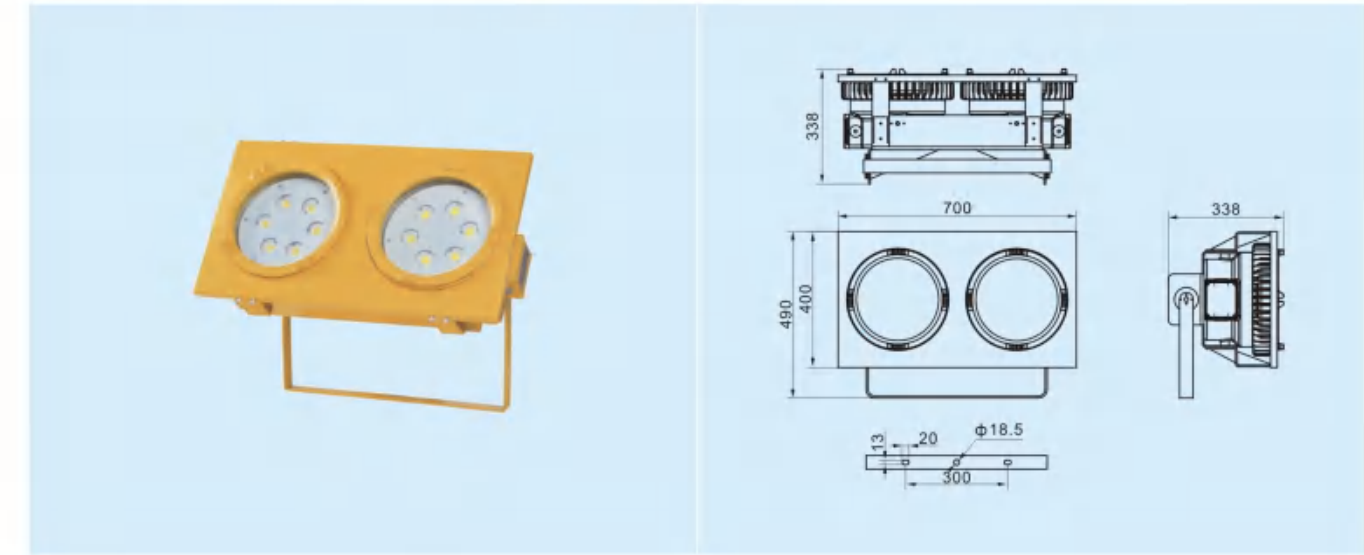
出厂配置如下:

- ①. CN950-III 防爆活接头 M25 x 1.5(M)/M25 x 1.5(M), 碳钢。
- ②. 防爆电缆引入装置, 由用户配置, 推荐使用 CN970-I (Ex eb)。
- ③. 立杆, 由用户配置。

The factory configuration is as follows:

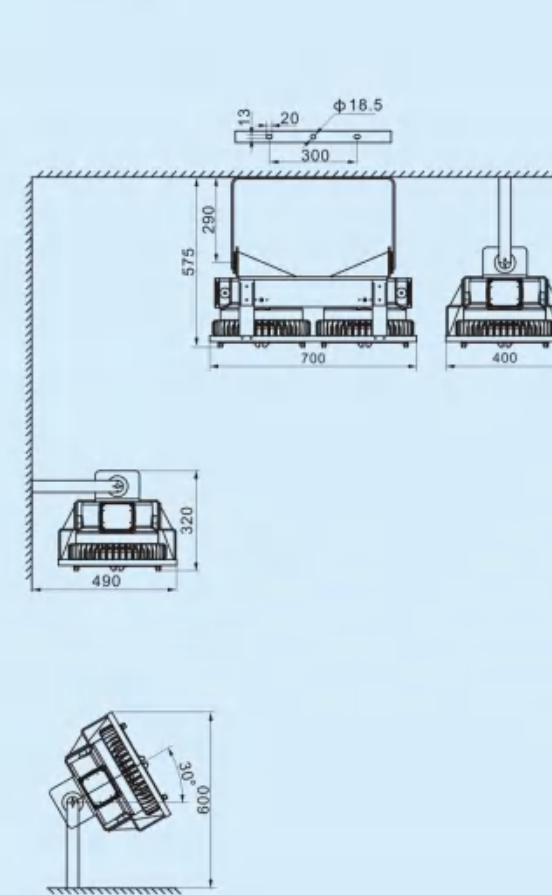
- ①. CN950-III Explosion-proof union M25 x 1.5(M)/M25 x 1.5(M), carbon steel.
- ②. The Explosion-proof cable entry device is configured by the user, and CN970-I (Ex eb) is recommended.
- ③. The pole is configured by the user.

G 2灯合1 (2x120W, 2X160W) 组合描述 2 lights in 1 (2x120W, 2X160W) combination description

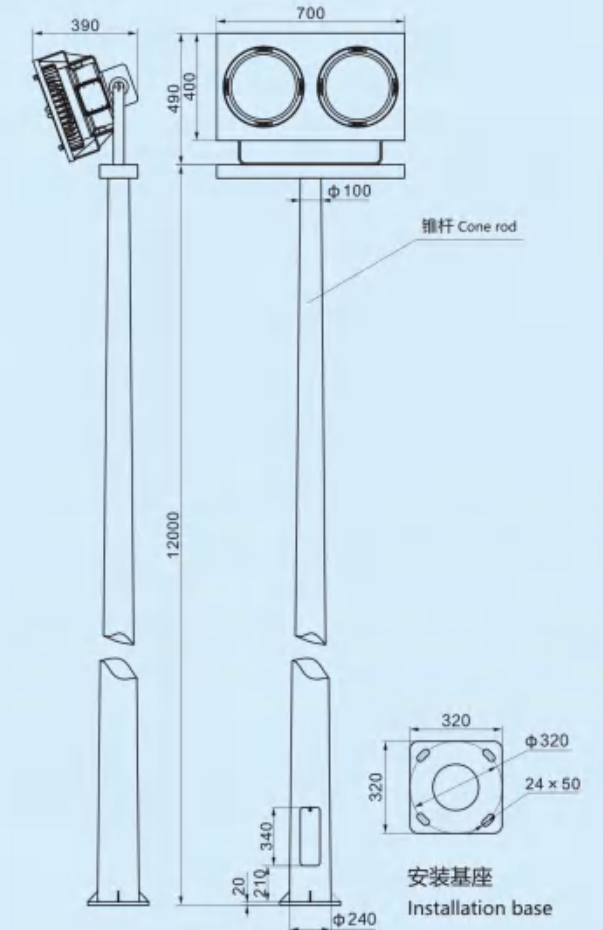


G 安装方案举例 Example of installation scheme

支架式 Bracket type



马路灯式 Street lamp





CN121
系列防爆LED灯
CN121
Series Explosion-proof
LED lamps

IIB/IIC/Ex tb



C 产品概述 Product overview

- ◆ 防爆性能符合
 - CENELEC标准
 - IEC标准
 - NEC标准
- ◆ 适用于1区和2区 21区和22区 II类, 1区和2区 II类, 2区, 气体组别 A, B, C, D
- ◆ 3种壳体类型: I、II。
- ◆ 适用光源和光源功率: LED: 20W,30W,40W,50W,60W,70W,80W,100W。
- ◆ 独立LED光源腔, 恒流恒压电源控制器腔, 接线腔隔离不相通, 采用空气对流的散热结构。
- ◆ 国际品牌白光LED, 多颗LED合理安排, 高光效, 长寿命。
- ◆ 两种类型的灯分布: 聚光灯和泛光灯可以根据要求挑选。
- ◆ 长达100,000小时的工作寿命, 少量维护保养。
- ◆ Explosion-proof performance complies with
 - CENELEC standard -IEC standard -NEC standard
- ◆ Suitable for zone 1 and zone 2 zone 21 and zone 22 class II, zone 1 and zone 2 class II, zone 2, gas group A, B, C, D
- ◆ 3 shell types: I、II.
- ◆ Applicable light source and light source power: LED: 20W,30W,40W,50W,60W,70W,80W,100W.
- ◆ Independent LED light source cavity, constant current and constant voltage power supply controller cavity, wiring cavity is isolated and not connected, air convection is used for heat dissipation structure.
- ◆ International brand white LED, reasonable arrangement of multiple LEDs, high luminous efficiency and long life.
- ◆ Two types of light distribution: spotlights and floodlights can be selected according to requirements.
- ◆ Long working life of 100,000 hours, little maintenance.

1区& 2区; 21区& 22区

zone1, zone2, zone21, zone22

CN121 系列防爆LED灯
CN121 Series Explosion-proof LED lamps

C 型号含义 Model meaning

CN121 - □ - □ - □
□ □ □ □

- 防爆LED灯 Explosion-proof LED lamp
- 壳体规格 Shell specifications: I、II
- 光源功率 Light source power (W)
20、30、40、50、60、70、80、100
- 安装方式 Installation method
 - K: 支架式 Bracket type
 - B: 壁式 Wall type
 - X: 吸顶式 Ceiling type
 - H: 护栏立杆式 Guardrail pole type
 - D: 吊杆式 Boom type
 - G: 挂钩式 Hook type
 - L: 立杆式 Vertical pole

C 选配表 Selection table

型号/订货代号 Model/Order code	光源功率(W) Light source power(W)	型号/订货代号 Model/Order code	光源功率(W) Light source power(W)
CN121-□□□□	20	CN121-□□□□	60
CN121-□□□□	30	CN121-□□□□	70
CN121-□□□□	40	CN121-□□□□	80
CN121-□□□□	50	CN121-□□□□	100

注: 1. 按本表“型号/订货代号”供货, 含安装附件;

2. 本灯具有聚光和泛光两种配光, 标准产品为不带透镜泛光配光效果, 如须带透镜, 下单请注明。

Note: 1. Supply according to the "model/order code" of this table, including installation accessories;

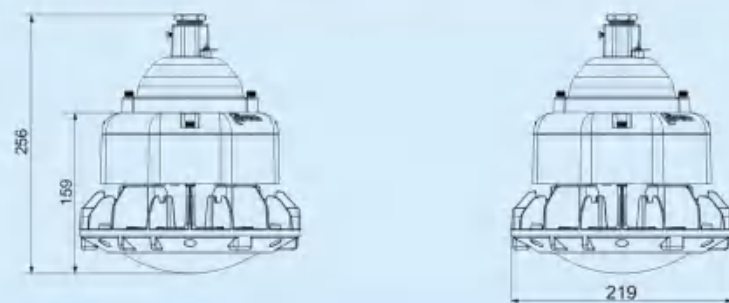
2. This lamp has two kinds of light distribution: condensing and flooding. The standard product has no lens and flood light distribution effect. If you need to bring a lens, please specify when placing an order.



G 技术参数 Technical parameter

防爆LED灯 Explosion-proof LED lamp	CN121-I
防爆型式 Explosion proof type 气体防爆型式 Gas explosion proof type 粉尘防爆型式 Dust explosion proof type	Ex II2D Ex tb IIIC T80°C Db
执行标准 Executive standard	GB/T 3836.1-2021, GB/T 3836.2-2021, GB/T 3836.31-2021 EN 60079-31, IEC 60079-0, IEC 60079-1, IEC 60079-28, IEC 60079-31
壳体材质 Shell material	无铜铝, 表面喷塑 Copper-free aluminum, plastic sprayed surface
玻璃罩 Glass cover	钢化玻璃, 抗4J冲击 Tempered glass, 4J impact resistance
外露紧固件 Exposed fasteners	不锈钢 Stainless steel
LED驱动电源 Drive power	宽电压输入, 恒流恒压输出, 功率因数≥0.95, 具有分流、恒流、防浪涌、过电流、开路、短路、抗电磁干扰等保护功能。 Wide voltage input, constant current and constant voltage output, power factor ≥0.95, with protection functions such as shunting, constant current, anti-surge, over current, open circuit, short circuit, and anti-electromagnetic interference.
光源规格 Light source specifications	LED模块, 多颗排布 Module, multiple arrangement
光源功率 Light source power (W)	20、30、40、50
LED色温 Color temperature (CCT)	冷白光 Cool white light: 5400~6500K 注: 常规产品光源为冷白光, 如需暖白(2700~3500K)或自然白(4700~5400K)可定制, 下单时注明。 Note: The light source of conventional products is cold white light. If you need warm white (2700~3500K) or natural white (4700~5400K), it can be customized. Please specify when ordering.
额定电压 Rated voltage	AC250、AC220V、DC60V、DC48V、DC36V、DC24V
接地保护 Ground protection	M4(灯具壳内外均配置接地螺钉) Grounding screws are equipped inside and outside the lamp housing
防护等级 Protection level	IP66
周围环境温度 Ambient temperature	-40°C~+55°C
接线端子 Terminal block	3 x 1.5~4mm ² (L+N+PE)
安装方式 Installation method	支架式, 挂钩式, 立杆式, 吊杆式, 壁式, 吸顶式 Bracket type, hook type, pole type, boom type, wall type, ceiling type
电缆引入口 Cable entry	1 x M25 x 1.5 (挂钩式, 立杆式, 吊杆式 Hook type, pole type, boom type) 2 x M25 x 1.5 (支架式 Bracket type) 4 x M25 x 1.5 (壁式, 吸顶式 Wall type, ceiling type)
电缆引入装置 Cable entry device	推荐使用 Recommend to use CN970-II(Ex db)或CN970-III(Ex db)

G 外形示意图 (所有尺寸单位为mm) - 可修改 Outline diagram (all dimensions in mm) - can be modified

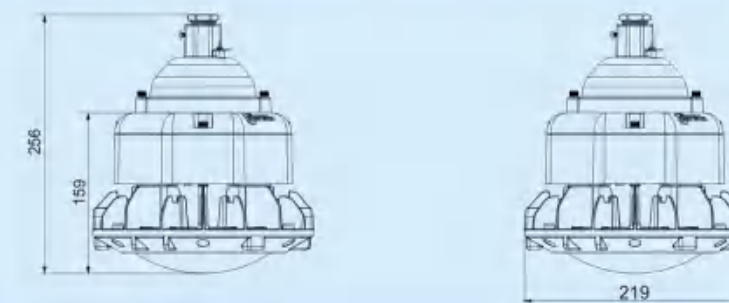


CN121 系列防爆LED灯
CN121 Series Explosion-proof LED lamps

G 技术参数 Technical parameter

防爆LED灯 Explosion-proof LED lamp	CN121-II
防爆型式 Explosion proof type 气体防爆型式 Gas explosion proof type 粉尘防爆型式 Dust explosion proof type	Ex II2G Ex db IIC T6 Gb Ex II2D Ex tb IIIC T80°C Db
执行标准 Executive standard	GB/T 3836.1-2021, GB/T 3836.2-2021, GB/T 3836.31-2021 EN 60079-31, IEC 60079-0, IEC 60079-1, IEC 60079-28, IEC 60079-31
壳体材质 Shell material	无铜铝, 表面喷塑 Copper-free aluminum, plastic sprayed surface
玻璃罩 Glass cover	钢化玻璃, 抗4J冲击 Tempered glass, 4J impact resistance
外露紧固件 Exposed fasteners	不锈钢 Stainless steel
LED驱动电源 Drive power	宽电压输入, 恒流恒压输出, 功率因数≥0.95, 具有分流、恒流、防浪涌、过电流、开路、短路、抗电磁干扰等保护功能。 Wide voltage input, constant current and constant voltage output, power factor ≥0.95, with protection functions such as shunting, constant current, anti-surge, over current, open circuit, short circuit, and anti-electromagnetic interference.
光源规格 Light source specifications	LED模块, 多颗排布 Module, multiple arrangement
光源功率 Light source power (W)	60、70、80、100
LED色温 Color temperature (CCT)	冷白光 Cool white light: 5400~6500K 注: 常规产品光源为冷白光, 如需暖白(2700~3500K)或自然白(4700~5400K)可定制, 下单时注明。 Note: The light source of conventional products is cold white light. If you need warm white (2700~3500K) or natural white (4700~5400K), it can be customized. Please specify when ordering.
额定电压 Rated voltage	AC250、AC220V、DC60V、DC48V、DC36V、DC24V
接地保护 Ground protection	M4(灯具壳内外均配置接地螺钉) Grounding screws are equipped inside and outside the lamp housing
防护等级 Protection level	IP66
周围环境温度 Ambient temperature	-40°C~+55°C
接线端子 Terminal block	3 x 1.5~4mm ² (L+N+PE)
安装方式 Installation method	支架式, 挂钩式, 立杆式, 吊杆式, 壁式, 吸顶式 Bracket type, hook type, pole type, boom type, wall type, ceiling type
电缆引入口 Cable entry	1 x M25 x 1.5 (挂钩式, 立杆式, 吊杆式 Hook type, pole type, boom type) 2 x M25 x 1.5 (支架式 Bracket type) 4 x M25 x 1.5 (壁式, 吸顶式 Wall type, ceiling type)
电缆引入装置 Cable entry device	推荐使用 Recommend to use CN970-II(Ex db)或CN970-III(Ex db)

G 外形示意图 (所有尺寸单位为mm) - 可修改 Outline diagram (all dimensions in mm) - can be modified





CN122
系列防爆LED灯具
CN122
Series Explosion-proof
LED lamps

IIB/IIC/Ex tb



C 产品概述 Product overview

- ◆ 防爆性能符合
 - CENELEC标准
 - IEC标准
 - NEC标准
- ◆ 适用于1区和2区 21区和22区 II类, 1区和2区 II类, 2区, 气体组别 A, B, C, D
- ◆ 3种壳体类型: I、II。
- ◆ 适用光源和光源功率: LED: 20W,30W,40W,50W,60W,70W,80W,100W。
- ◆ 独立LED光源腔, 恒流恒压电源控制器腔, 接线腔隔离不相通, 采用空气对流的散热结构。
- ◆ 国际品牌白光LED, 多颗LED合理安排, 高光效, 长寿命。
- ◆ 两种类型的灯分布: 聚光灯和泛光灯可以根据要求挑选。
- ◆ 长达100,000小时的工作寿命, 少量维护保养。
- ◆ Explosion-proof performance complies with
 - CENELEC standard -IEC standard -NEC standard
- ◆ Suitable for zone 1 and zone 2 zone 21 and zone 22 class II, zone 1 and zone 2 class II, zone 2, gas group A, B, C, D
- ◆ 3 shell types: I、II.
- ◆ Applicable light source and light source power: LED: 20W,30W,40W,50W,60W,70W,80W,100W.
- ◆ Independent LED light source cavity, constant current and constant voltage power supply controller cavity, wiring cavity is isolated and not connected, air convection is used for heat dissipation structure.
- ◆ International brand white LED, reasonable arrangement of multiple LEDs, high luminous efficiency and long life.
- ◆ Two types of light distribution: spotlights and floodlights can be selected according to requirements.
- ◆ Long working life of 100,000 hours, little maintenance.

1区& 2区; 21区& 22区

zone1, zone2, zone21, zone22

CN122 系列防爆LED灯具
CN122 Series Explosion-proof LED lamps

C 型号含义 Model meaning

CN122 - □ - □ - □
□ □ □ □

- 防爆LED灯具 Explosion-proof LED lamps
- 壳体规格 Shell specifications: I、II
- 光源功率 Light source power (W)
20、30、40、50、60、70、80、100
- 安装方式 Installation method
 - K: 支架式 Bracket type
 - B: 壁式 Wall type
 - X: 吸顶式 Ceiling type
 - H: 护栏立杆式 Guardrail pole type
 - D: 吊杆式 Boom type
 - G: 挂钩式 Hook type
 - L: 立杆式 Vertical pole

C 选配表 Selection table

型号/订货代号 Model/Order code	光源功率(W) Light source power(W)	型号/订货代号 Model/Order code	光源功率(W) Light source power(W)
CN122-□□□□	20	CN122-□□□□	60
CN122-□□□□	30	CN122-□□□□	70
CN122-□□□□	40	CN122-□□□□	80
CN122-□□□□	50	CN122-□□□□	100

注: 1. 按本表“型号/订货代号”供货, 含安装附件;

2. 本灯具有聚光和泛光两种配光, 标准产品为不带透镜泛光配光效果, 如须带透镜, 下单请注明。

Note: 1. Supply according to the "model/order code" of this table, including installation accessories;

2. This lamp has two kinds of light distribution: condensing and flooding. The standard product has no lens and flood light distribution effect. If you need to bring a lens, please specify when placing an order.



G 技术参数 Technical parameter

防爆LED灯具 Explosion-proof LED lamps	CN122-I
防爆型式 Explosion proof type 气体防爆型式 Gas explosion proof type 粉尘防爆型式 Dust explosion proof type	<p>II2G Ex db IIC T6 Gb</p> <p>II2D Ex tb IIIC T80°C Db</p>
执行标准 Executive standard	GB/T 3836.1-2021, GB/T 3836.2-2021, GB/T 3836.31-2021 EN 60079-31, IEC 60079-0, IEC 60079-1, IEC 60079-28, IEC 60079-31
壳体材质 Shell material	无铜铝, 表面喷塑 Copper-free aluminum, plastic sprayed surface
玻璃罩 Glass cover	钢化玻璃, 抗4J冲击 Tempered glass, 4J impact resistance
外露紧固件 Exposed fasteners	不锈钢 Stainless steel
LED驱动电源 Drive power	宽电压输入, 恒流恒压输出, 功率因数 ≥ 0.95 , 具有分流、恒流、防浪涌、过电流、开路、短路、抗电磁干扰等保护功能。 Wide voltage input, constant current and constant voltage output, power factor ≥ 0.95 , with protection functions such as shunting, constant current, anti-surge, over current, open circuit, short circuit, and anti-electromagnetic interference.
光源规格 Light source specifications	LED模块, 多颗排布 Module, multiple arrangement
光源功率 Light source power (W)	20、30、40、50
LED色温 Color temperature (CCT)	冷白光 Cool white light: 5400~6500K 注: 常规产品光源为冷白光, 如需暖白(2700~3500K)或自然白(4700~5400K)可定制, 下单时注明。 Note: The light source of conventional products is cold white light. If you need warm white (2700~3500K) or natural white (4700~5400K), it can be customized. Please specify when ordering.
额定电压 Rated voltage	AC110V~220V、DC24V、DC36V
接地保护 Ground protection	M4(灯具壳内外均配置接地螺钉) Grounding screws are equipped inside and outside the lamp housing
防护等级 Protection level	IP66
周围环境温度 Ambient temperature	-40°C~+55°C
接线端子 Terminal block	3 x 1.5~4mm ² (L+N+PE)
安装方式 Installation method	支架式, 挂钩式, 立杆式, 吊杆式, 壁式, 吸顶式 Bracket type, hook type, pole type, boom type, wall type, ceiling type
电缆引入口 Cable entry	1 x M25 x 1.5 (挂钩式, 立杆式, 吊杆式 Hook type, pole type, boom type) 2 x M25 x 1.5 (支架式 Bracket type) 4 x M25 x 1.5 (壁式, 吸顶式 Wall type, ceiling type)
电缆引入装置 Cable entry device	推荐使用 Recommend to use CN970-II(Ex db)或CN970-III(Ex db)

G 外形示意图 (所有尺寸单位为mm) - 可修改 Outline diagram (all dimensions in mm) - can be modified

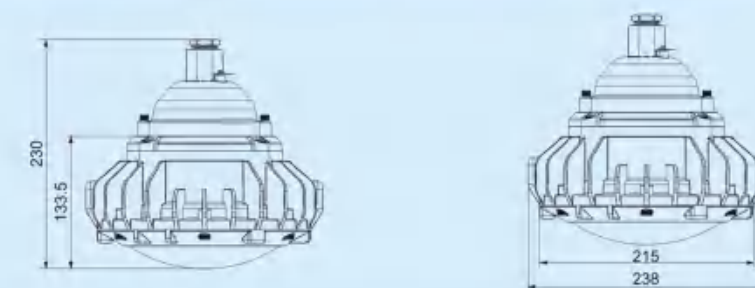


CN122 系列防爆LED灯具
CN122 Series Explosion-proof LED lamps

G 技术参数 Technical parameter

防爆LED灯具 Explosion-proof LED lamps	CN122-II
防爆型式 Explosion proof type 气体防爆型式 Gas explosion proof type 粉尘防爆型式 Dust explosion proof type	<p>II2G Ex db IIC T6 Gb</p> <p>II2D Ex tb IIIC T80°C Db</p>
执行标准 Executive standard	GB/T 3836.1-2021, GB/T 3836.2-2021, GB/T 3836.31-2021 EN 60079-31, IEC 60079-0, IEC 60079-1, IEC 60079-28, IEC 60079-31
壳体材质 Shell material	无铜铝, 表面喷塑 Copper-free aluminum, plastic sprayed surface
玻璃罩 Glass cover	钢化玻璃, 抗4J冲击 Tempered glass, 4J impact resistance
外露紧固件 Exposed fasteners	不锈钢 Stainless steel
LED驱动电源 Drive power	宽电压输入, 恒流恒压输出, 功率因数 ≥ 0.95 , 具有分流、恒流、防浪涌、过电流、开路、短路、抗电磁干扰等保护功能。 Wide voltage input, constant current and constant voltage output, power factor ≥ 0.95 , with protection functions such as shunting, constant current, anti-surge, over current, open circuit, short circuit, and anti-electromagnetic interference.
光源规格 Light source specifications	LED模块, 多颗排布 Module, multiple arrangement
光源功率 Light source power (W)	60、70、80、100
LED色温 Color temperature (CCT)	冷白光 Cool white light: 5400~6500K 注: 常规产品光源为冷白光, 如需暖白(2700~3500K)或自然白(4700~5400K)可定制, 下单时注明。 Note: The light source of conventional products is cold white light. If you need warm white (2700~3500K) or natural white (4700~5400K), it can be customized. Please specify when ordering.
额定电压 Rated voltage	AC110V~220V、DC24V、DC36V
接地保护 Ground protection	M4(灯具壳内外均配置接地螺钉) Grounding screws are equipped inside and outside the lamp housing
防护等级 Protection level	IP66
周围环境温度 Ambient temperature	-40°C~+55°C
接线端子 Terminal block	3 x 1.5~4mm ² (L+N+PE)
安装方式 Installation method	支架式, 挂钩式, 立杆式, 吊杆式, 壁式, 吸顶式 Bracket type, hook type, pole type, boom type, wall type, ceiling type
电缆引入口 Cable entry	1 x M25 x 1.5 (挂钩式, 立杆式, 吊杆式 Hook type, pole type, boom type) 2 x M25 x 1.5 (支架式 Bracket type) 4 x M25 x 1.5 (壁式, 吸顶式 Wall type, ceiling type)
电缆引入装置 Cable entry device	推荐使用 Recommend to use CN970-II(Ex db)或CN970-III(Ex db)

G 外形示意图 (所有尺寸单位为mm) - 可修改 Outline diagram (all dimensions in mm) - can be modified





CN125系列
智能型防爆LED灯具
CN125 Series
Intelligent Explosion-proof
LED lamps

IIB/IIC/Ex tb



C 产品概述 Product overview

- ◆ 防爆性能符合
 - CENELEC标准
 - IEC标准
 - NEC标准
- ◆ 适用于1区和2区 21区和22区 II类, 1区和2区 II类, 2区, 气体组别 A, B, C, D
- ◆ 3种壳体类型: I、II。
- ◆ 适用光源和光源功率: LED: 20W,30W,40W,50W,60W,70W,80W,100W,120,130,150。
- ◆ 独立LED光源腔, 恒流恒压电源控制器腔, 接线腔隔离不相通, 采用空气对流的散热结构。
- ◆ 国际品牌白光LED, 多颗LED合理安排, 高光效, 长寿命。
- ◆ 两种类型的灯分布: 聚光灯和泛光灯可以根据要求挑选。
- ◆ 长达100,000小时的工作寿命, 少量维护保养。
- ◆ Explosion-proof performance complies with
 - CENELEC standard -IEC standard -NEC standard
- ◆ Suitable for zone 1 and zone 2 zone 21 and zone 22 class II, zone 1 and zone 2 class II, zone 2, gas group A, B, C, D
- ◆ 3 shell types: I、II.
- ◆ Applicable light source and light source power: LED: 20W,30W,40W,50W,60W,70W,80W,100W,120,130,150.
- ◆ Independent LED light source cavity, constant current and constant voltage power supply controller cavity, wiring cavity is isolated and not connected, air convection is used for heat dissipation structure.
- ◆ International brand white LED, reasonable arrangement of multiple LEDs, high luminous efficiency and long life.
- ◆ Two types of light distribution: spotlights and floodlights can be selected according to requirements.
- ◆ Long working life of 100,000 hours, little maintenance.

1区& 2区; 21区& 22区

zone1, zone2, zone21, zone22

CN125 系列智能型防爆LED灯具
CN125 Series Intelligent Explosion-proof LED lamps

C 型号含义 Model meaning

CN125 - □ - □ - □
□ □ □ □

- 智能型防爆LED灯具 Intelligent Explosion-proof LED lamps
- 壳体规格 Shell specifications: I、II
- 光源功率 Light source power (W)
20、30、40、50、60、70、80、100、120、130、150
- 安装方式 Installation method
 - K: 支架式 Bracket type
 - B: 壁式 Wall type
 - X: 吸顶式 Ceiling type
 - H: 护栏立杆式 Guardrail pole type
 - D: 吊杆式 Boom type
 - G: 挂钩式 Hook type
 - L: 立杆式 Vertical pole

C 选配表 Selection table

型号/订货代号 Model/Order code	光源功率(W) Light source power(W)	型号/订货代号 Model/Order code	光源功率(W) Light source power(W)
CN125-□□□□	20	CN125-□□□□	80
CN125-□□□□	30	CN125-□□□□	100
CN125-□□□□	40	CN125-□□□□	120
CN125-□□□□	50	CN125-□□□□	130
CN125-□□□□	60	CN125-□□□□	150
CN125-□□□□	70		

注: 1. 按本表“型号/订货代号”供货, 含安装附件;

2. 本灯具有聚光和泛光两种配光, 标准产品为不带透镜泛光配光效果, 如须带透镜, 下单请注明。

Note: 1. Supply according to the "model/order code" of this table, including installation accessories;

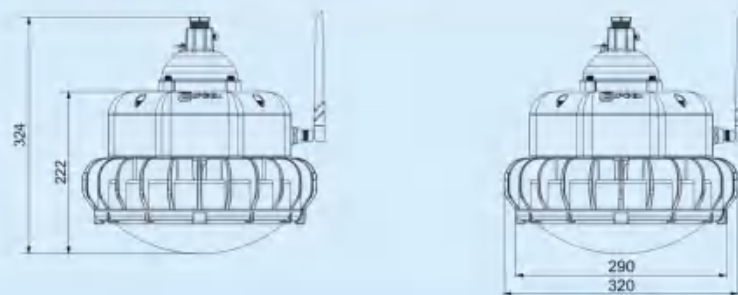
2. This lamp has two kinds of light distribution: condensing and flooding. The standard product has no lens and flood light distribution effect. If you need to bring a lens, please specify when placing an order.



C 技术参数 Technical parameter

智能型防爆LED灯具 Intelligent Explosion-proof LED lamps	CN125-I
防爆型式 Explosion proof type 气体防爆型式 Gas explosion proof type 粉尘防爆型式 Dust explosion proof type	II2G Ex db IIC T6 Gb II2D Ex tb IIIC T80°C Db
执行标准 Executive standard	GB/T 3836.1-2021, GB/T 3836.2-2021, GB/T 3836.31-2021 EN 60079-31, IEC 60079-0, IEC 60079-1, IEC 60079-28, IEC 60079-31
壳体材质 Shell material	无铜铝, 表面喷塑 Copper-free aluminum, plastic sprayed surface
玻璃罩 Glass cover	钢化玻璃, 抗4J冲击 Tempered glass, 4J impact resistance
外露紧固件 Exposed fasteners	不锈钢 Stainless steel
LED驱动电源 Drive power	宽电压输入, 恒流恒压输出, 功率因数≥0.95, 具有分流、恒流、防浪涌、过电流、开路、短路、抗电磁干扰等保护功能。 Wide voltage input, constant current and constant voltage output, power factor ≥0.95, with protection functions such as shunting, constant current, anti-surge, over current, open circuit, short circuit, and anti-electromagnetic interference.
光源规格 Light source specifications	LED模块, 多颗排布 Module, multiple arrangement
光源功率 Light source power (W)	20、30、40、50
LED色温 Color temperature (CCT)	冷白光 Cool white light: 5400~6500K 注: 常规产品光源为冷白光, 如需暖白(2700~3500K)或自然白(4700~5400K)可定制, 下单时注明。 Note: The light source of conventional products is cold white light. If you need warm white (2700~3500K) or natural white (4700~5400K), it can be customized. Please specify when ordering.
额定电压 Rated voltage	AC100~240V
接地保护 Ground protection	M4(灯具壳内外均配置接地螺钉) Grounding screws are equipped inside and outside the lamp housing)
防护等级 Protection level	IP66
周围环境温度 Ambient temperature	-40°C~+55°C
接线端子 Terminal block	3 x 1.5~4mm ² (L+N+PE)
安装方式 Installation method	支架式, 挂钩式, 立杆式, 吊杆式, 壁式, 吸顶式 Bracket type, hook type, pole type, boom type, wall type, ceiling type
电缆引入口 Cable entry	1 x M25 x 1.5 (挂钩式, 立杆式, 吊杆式 Hook type, pole type, boom type) 2 x M25 x 1.5 (支架式 Bracket type) 4 x M25 x 1.5 (壁式, 吸顶式 Wall type, ceiling type)
电缆引入装置 Cable entry device	推荐使用 Recommend to use CN970-II(Ex db)或CN970-III(Ex db)

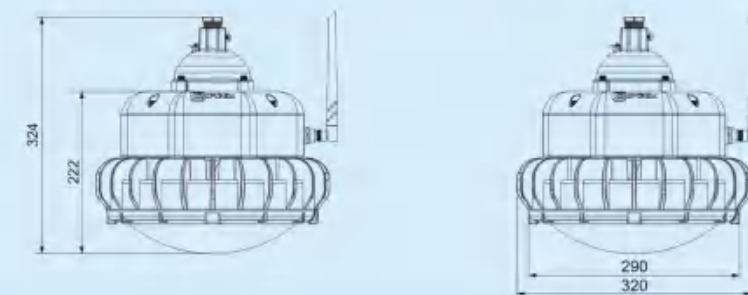
C 外形示意图 (所有尺寸单位为mm) - 可修改 Outline diagram (all dimensions in mm) - can be modified



C 技术参数 Technical parameter

智能型防爆LED灯具 Intelligent Explosion-proof LED lamps	CN125-II
防爆型式 Explosion proof type 气体防爆型式 Gas explosion proof type 粉尘防爆型式 Dust explosion proof type	II2G Ex db IIC T6 Gb II2D Ex tb IIIC T80°C Db
执行标准 Executive standard	GB/T 3836.1-2021, GB/T 3836.2-2021, GB/T 3836.31-2021 EN 60079-31, IEC 60079-0, IEC 60079-1, IEC 60079-28, IEC 60079-31
壳体材质 Shell material	无铜铝, 表面喷塑 Copper-free aluminum, plastic sprayed surface
玻璃罩 Glass cover	钢化玻璃, 抗4J冲击 Tempered glass, 4J impact resistance
外露紧固件 Exposed fasteners	不锈钢 Stainless steel
LED驱动电源 Drive power	宽电压输入, 恒流恒压输出, 功率因数≥0.95, 具有分流、恒流、防浪涌、过电流、开路、短路、抗电磁干扰等保护功能。 Wide voltage input, constant current and constant voltage output, power factor ≥0.95, with protection functions such as shunting, constant current, anti-surge, over current, open circuit, short circuit, and anti-electromagnetic interference.
光源规格 Light source specifications	LED模块, 多颗排布 Module, multiple arrangement
光源功率 Light source power (W)	60、70、80、100、120、130、150
LED色温 Color temperature (CCT)	冷白光 Cool white light: 5400~6500K 注: 常规产品光源为冷白光, 如需暖白(2700~3500K)或自然白(4700~5400K)可定制, 下单时注明。 Note: The light source of conventional products is cold white light. If you need warm white (2700~3500K) or natural white (4700~5400K), it can be customized. Please specify when ordering.
额定电压 Rated voltage	AC100~240V
接地保护 Ground protection	M4(灯具壳内外均配置接地螺钉) Grounding screws are equipped inside and outside the lamp housing)
防护等级 Protection level	IP66
周围环境温度 Ambient temperature	-40°C~+55°C
接线端子 Terminal block	3 x 1.5~4mm ² (L+N+PE)
安装方式 Installation method	支架式, 挂钩式, 立杆式, 吊杆式, 壁式, 吸顶式 Bracket type, hook type, pole type, boom type, wall type, ceiling type
电缆引入口 Cable entry	1 x M25 x 1.5 (挂钩式, 立杆式, 吊杆式 Hook type, pole type, boom type) 2 x M25 x 1.5 (支架式 Bracket type) 4 x M25 x 1.5 (壁式, 吸顶式 Wall type, ceiling type)
电缆引入装置 Cable entry device	推荐使用 Recommend to use CN970-II(Ex db)或CN970-III(Ex db)

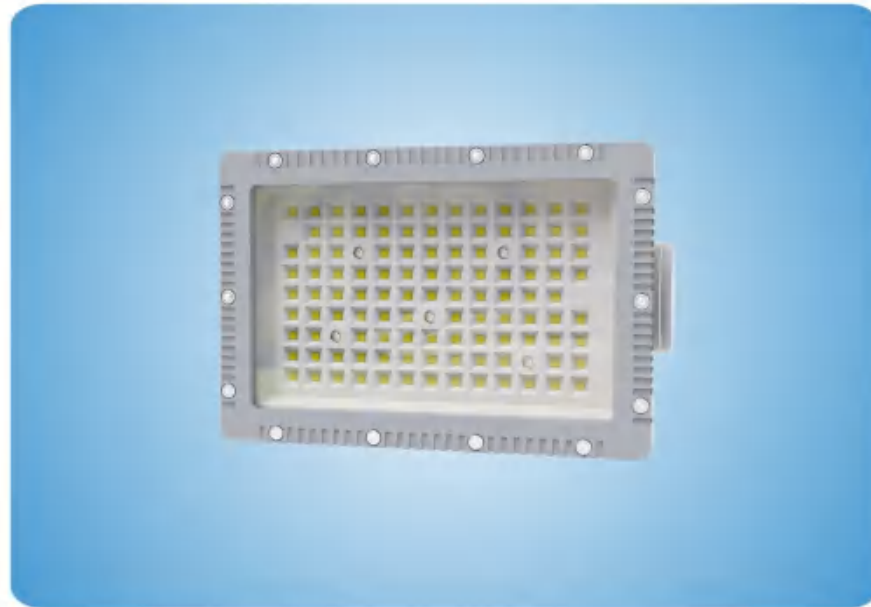
C 外形示意图 (所有尺寸单位为mm) - 可修改 Outline diagram (all dimensions in mm) - can be modified





CN151
系列防爆投光灯
CN151
Series Explosion-proof
floodlight

IIB/IIC/Ex tb



C 产品概述 Product overview

- ◆ 防爆性能符合
 - CENELEC标准
 - IEC标准
 - NEC标准
- ◆ 适用于 1区和2区 21区和22区
 - II类, 1区和2区
 - II类, 2区, 气体组别 C, D
 - II类, 1区, 气体组别 C, D
- ◆ 本系列灯具外壳规格有125、250、400和1000四种。
- ◆ 光源、镇流器一体式, 安装和维修方便。
- ◆ 触发器启动快, 性能稳定, 寿命长。
- ◆ 无铜铝外壳, 外表面喷塑。
- ◆ 钢化玻璃罩, 抗热剧变。
- ◆ Explosion-proof performance complies with
 - CENELEC standard
 - IEC standard
 - NEC standard
- ◆ Suitable for zone 1 and zone 2 zone 21 and zone 22
 - Class II, zone 1 and zone 2
 - Class II, zone 2, gas group C, D
 - Class II, zone 1, gas group C, D
- ◆ There are 125, 250, 400 and 1000 shell specifications for this series of lamps.
- ◆ The light source and ballast are integrated, easy to install and maintain.
- ◆ The trigger starts quickly, the performance is stable and the life is long.
- ◆ Copper-free aluminum housing, plastic-sprayed outer surface.
- ◆ Toughened glass cover, resistant to drastic changes in heat.

1区& 2区; 21区& 22区

zone1, zone2, zone21, zone22

CN151 系列防爆投光灯
CN151 Series Explosion-proof floodlight

C 型号含义 Model meaning

CN151 - □ - □ □ □
① ② ③ ④ ⑤

- ① 防爆投光灯 Explosion-proof floodlight
- ② 壳体类型 Enclosure type: 125, 250, 400, 1000
- ③ 光源类型 Type of light source
 - LED: 70W, 100W
 - LED: 80W, 125W
 - LED: 70W, 100W, 150W
- ④ 光源功率 Light source power (W)
- ⑤ 安装方式 Installation method
 - G: 固定式 Fixed
 - Y: 移动式 Mobile

C 选配表 Selection table

型号/订货代号 Model/Order code	适用光源功率 (W) Applicable light source power (W)			灯座 Lamp holder
	LED	LED	LED	
CN151-125	70, 100, 150	70, 100	80, 125	E27
CN151-250	175, 250	150, 250	175, 250	E40
CN151-400	400	400	—	E40
CN151-1000	1000	1000	—	E40

C 订货须知 Ordering instructions

1. 订货时请注明备件, 见附件表。
 2. 本系列灯具出厂时125、250和400型不配置光源。推荐使用飞利浦品牌光源。
 3. 采用金卤灯光源时, 常规配置HPI欧标光源镇流器。推荐使用HPI欧标光源。
 4. 本系列灯具出厂时1000型配置光源和镇流器。
1. Please indicate the spare parts when ordering, see the attachment table.
 2. The 125, 250 and 400 models of this series of lamps are not equipped with light sources when they leave the factory. It is recommended to use Philips brand light sources.
 3. When the metal halide light source is used, the HPI European standard light source ballast is conventionally configured. It is recommended to use HPI European standard light source.
 4. The 1000 model of this series of lamps is equipped with light source and ballast when it leaves the factory.



G 技术参数 Technical parameter

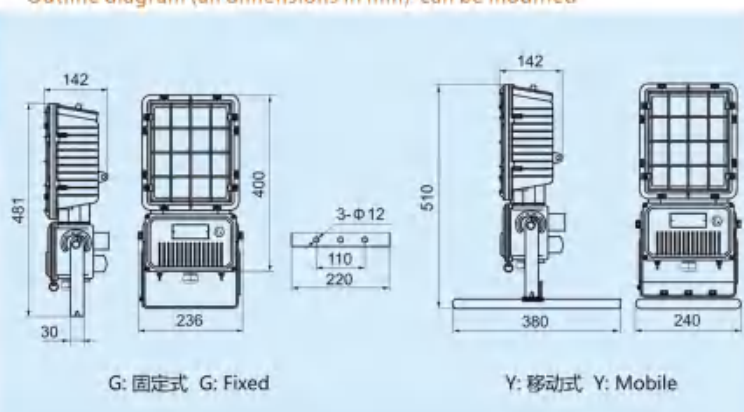
防爆投光灯 Explosion-proof floodlight	CN151-125-□□□
防爆型式 Explosion proof type	Ex II2G Ex db IIC T6 Gb
气体防爆型式 Gas explosion proof type	Ex II2D Ex tb IIIC T80°C Db
粉尘防爆型式 Dust explosion proof type	
执行标准 Executive standard	GB/T 3836.1, GB/T 3836.2, GB/T 3836.31; EN 60079-0, EN 60079-1, EN 60079-7, EN 60079-31, IEC 60079-0, IEC 60079-1, IEC 60079-7, IEC 60079-31
壳体材质 Shell material	无铜铝, 表面喷塑 Copper-free aluminum, plastic sprayed surface
玻璃板 Glass plate	钢化玻璃, 抗4J冲击 Tempered glass, 4J impact resistance
镇流器 Ballast	电感镇流器, 启动快, 性能稳定 Inductive ballast, fast start-up, stable performance
保护网 Protection net	碳钢, 喷塑, 白色 Carbon steel, plastic spray, white
内部反光罩 Internal reflector	高纯铝 High purity aluminum
触发器 Trigger	防爆电子触发器 Explosion-proof electronic trigger
功率因数 Power factor	COSφ≥0.90(补偿 Compensate)
外露紧固件 Exposed fasteners	不锈钢 Stainless steel
灯座 Lamp holder	E27
适用光源和光源功率 (W) Applicable light source and light source power (W)	LED: 70W, 100W LED: 80W, 125W LED: 70W, 100W, 150W
光源规格 Light source specifications	LED模块, 多颗排布 Module, multiple arrangement
额定电压 Rated voltage	220~240V AC 50Hz (60Hz可选 Optional)
接地保护 Ground protection	M5(灯具壳内外均配置接地螺钉) Grounding screws are equipped inside and outside the lamp housing
防护等级 Protection level	IP65、IP66
周围环境温度 Ambient temperature	-60°C~+55°C
接线端子 Terminal block	3 x 1.5~2.5mm ² (L+N+PE)
电缆引入口 Cable entry	2 x Φ21: 1 x M20 x 1.5 电缆引入装置(CN970-I Ex eb, 碳钢), 1 x M20 x 1.5 堵头 2 x Φ21: 1 x M20 x 1.5 Cable entry device (CN970-I Ex eb, carbon steel), 1 x M20 x 1.5 Plugging
适用电缆外径 Applicable cable outer diameter	Φ5~Φ10 (mm)

G 选配表 Selection table

光源 Light source	光源功率(W) Light source power(W)	温度组别 Temperature group	
		气体 Gas	粉尘 Dust
LED	70	T156°C	T156°C
LED	70	T156°C	T156°C
LED	100	T185°C	T185°C
LED	100	T181°C	T181°C
LED	150	T190°C	T190°C
LED	80	T163°C	T163°C
LED	125	T209°C	T209°C

G 外形示意图 (所有尺寸单位为mm) - 可修改

Outline diagram (all dimensions in mm)-can be modified



G: 固定式 G: Fixed

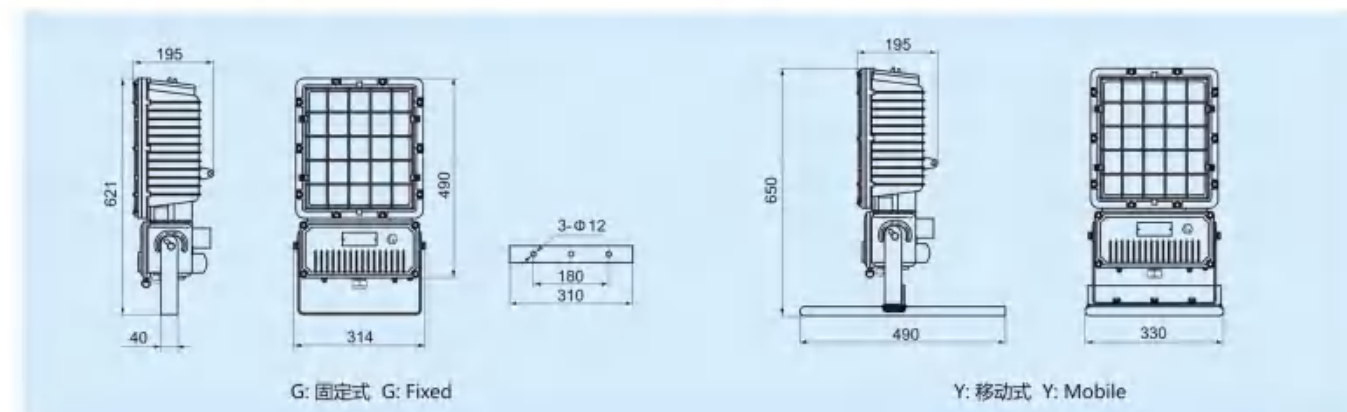
Y: 移动式 Y: Mobile

CN151 系列防爆投光灯
CN151 Series Explosion-proof floodlight

G 技术参数 Technical parameter

防爆投光灯 Explosion-proof floodlight	CN151-250-□□□
防爆型式 Explosion proof type	Ex II2G Ex db IIC T6 Gb
气体防爆型式 Gas explosion proof type	Ex II2D Ex tb IIIC T80°C Db
粉尘防爆型式 Dust explosion proof type	
执行标准 Executive standard	GB/T 3836.1, GB/T 3836.2, GB/T 3836.31 EN 60079-0, EN 60079-1, EN 60079-7 IEC 60079-0, IEC 60079-1, IEC 60079-7, IEC 61241-0, IEC 61241-1
壳体材质 Shell material	无铜铝, 表面喷塑 Copper-free aluminum, plastic sprayed surface
玻璃板 Glass plate	钢化玻璃, 抗4J冲击 Tempered glass, 4J impact resistance
镇流器 Ballast	电感镇流器, 启动快, 性能稳定 Inductive ballast, fast start-up, stable performance
保护网 Protection net	碳钢, 喷塑, 白色 Carbon steel, plastic spray, white
内部反光罩 Internal reflector	高纯铝 High purity aluminum
触发器 Trigger	防爆电子触发器 Explosion-proof electronic trigger
功率因数 Power factor	COSφ≥0.90(补偿 Compensate)
外露紧固件 Exposed fasteners	不锈钢 Stainless steel
灯座 Lamp holder	E40
适用光源和光源功率 (W) Applicable light source and light source power (W)	LED: 150W, 250W LED: 175W, 250W LED: 175W, 250W
光源规格 Light source specifications	LED模块, 多颗排布 Module, multiple arrangement
额定电压 Rated voltage	220~240V AC 50Hz (60Hz可选 Optional)
接地保护 Ground protection	M5(灯具壳内外均配置接地螺钉) Grounding screws are equipped inside and outside the lamp housing
防护等级 Protection level	IP65、IP66
周围环境温度 Ambient temperature	-20°C~+55°C
接线端子 Terminal block	3 x 1.5~2.5mm ² (L+N+PE)
电缆引入口 Cable entry	2 x Φ26: 1 x M25 x 1.5 电缆引入装置(CN970-I Ex eb, 碳钢), 1 x M25 x 1.5 堵头 2 x Φ26: 1 x M25 x 1.5 Cable entry device (CN970-I Ex eb, carbon steel), 1 x M25 x 1.5 Plugging
适用电缆外径 Applicable cable outer diameter	Φ10~Φ14 (mm)

G 外形示意图 (所有尺寸单位为mm) - 可修改 Outline diagram (all dimensions in mm)-can be modified



G: 固定式 G: Fixed

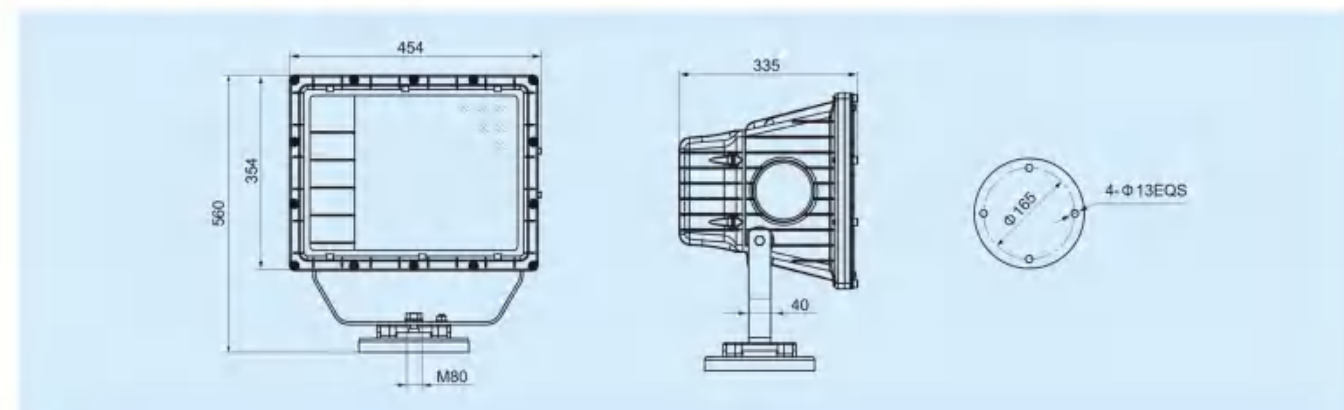
Y: 移动式 Y: Mobile



G 技术参数 Technical parameter

防爆投光灯 Explosion-proof floodlight	CN151-400-□□□
防爆型式 Explosion proof type	II2G Ex db IIC T6 Gb
气体防爆型式 Gas explosion proof type	II2D Ex tb IIIC T80°C Db
粉尘防爆型式 Dust explosion proof type	
执行标准 Executive standard	GB/T 3836.1, GB/T 3836.2, GB/T 3836.31 EN 60079-0, EN 60079-1, EN 60079-7 IEC 60079-0, IEC 60079-1, IEC 60079-7, IEC 61241-0, IEC 61241-1
壳体材质 Shell material	无铜铝, 表面喷塑 Copper-free aluminum, plastic sprayed surface
玻璃板 Glass plate	钢化玻璃, 抗4J冲击 Tempered glass, 4J impact resistance
镇流器 Ballast	电感镇流器, 启动快, 性能稳定 Inductive ballast, fast start-up, stable performance
内部反光罩 Internal reflector	高纯铝 High purity aluminum
触发器 Trigger	防爆电子触发器 Explosion-proof electronic trigger
功率因数 Power factor	COSφ≥0.90(补偿 Compensate)
外露紧固件 Exposed fasteners	不锈钢 Stainless steel
保护网(可选) Protection net (optional)	碳钢, 喷塑, 白色 Carbon steel, plastic spray, white
灯座 Lamp holder	E40
适用光源和光源功率 (W) Applicable light source and light source power (W)	LED : 400W (管形 tube type) LED : 400W (管形 tube type)
光源规格 Light source specifications	LED模块, 多颗排布 Module, multiple arrangement
额定电压 Rated voltage	220~240V AC 50Hz (60Hz可选 Optional)
接地保护 Ground protection	M5(灯具壳内外均配置接地螺钉 Grounding screws are equipped inside and outside the lamp housing)
防护等级 Protection level	IP65、IP66
周围环境温度 Ambient temperature	-20°C~+55°C
接线端子 Terminal block	3 x 1.5~4mm ² (L+N+PE)
电缆引入口 Cable entry	2xM25x1.5:1xM25x1.5电缆引入装置(CN970-I Ex eb, 碳钢), 1xM25x1.5堵头 2xM25x1.5: 1xM25x1.5 Cable entry device (CN970-I Ex eb, carbon steel), 1xM25x1.5 Plugging
适用电缆外径 Applicable cable outer diameter	Φ10~Φ14 (mm)

G 外形示意图 (所有尺寸单位为mm) - 可修改 Outline diagram (all dimensions in mm) - can be modified



CN151 系列防爆投光灯
CN151 Series Explosion-proof floodlight

G 技术参数 Technical parameter

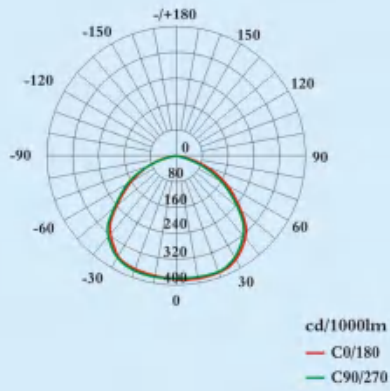
防爆投光灯 Explosion-proof floodlight	CN151-1000-□□□
防爆型式 Explosion proof type	II2G Ex db IIC T6 Gb
气体防爆型式 Gas explosion proof type	II2D Ex tb IIIC T80°C Db
粉尘防爆型式 Dust explosion proof type	
执行标准 Executive standard	GB/T 3836.1, GB/T 3836.2, GB/T 3836.31 EN 60079-0, EN 60079-1, EN 60079-31, IEC 60079-0, IEC 60079-1, IEC 60079-31
壳体材质 Shell material	碳钢焊接, 表面喷塑 Carbon steel welding, plastic sprayed surface
玻璃板 Glass plate	钢化玻璃, 抗4J冲击 Tempered glass, resistant to 4J impact
镇流器 Ballast	电感镇流器, 启动快, 性能稳定 Inductive ballast, fast start-up, stable performance
触发器 Trigger	通用型触发器 Universal flip-flop
功率因数 Power factor	COSφ≥0.90(补偿 Compensation)
内部反光罩 Internal reflector	高纯铝 High purity aluminum
外露紧固件 Exposed fasteners	不锈钢 Stainless steel
灯座 Lamp holder	E40
适用光源和光源功率 (W) Applicable light source and light source power (W)	LED : 1000W (管形 tube type) LED : 1000W (管形 tube type)
光源规格 Light source specifications	LED模块, 多颗排布 Module, multiple arrangement
额定电压 Rated voltage	230V AC 50Hz (60Hz可选 Optional)
接地保护 Ground protection	M5(灯具壳内外均配置接地螺钉 Grounding screws are equipped inside and outside the lamp housing)
防护等级 Protection level	IP65、IP66
周围环境温度 Ambient temperature	-20°C~+55°C
接线端子 Terminal block	3 x 1.5~4mm ² (L+N+PE)
电缆引入口 Cable entry	1 x M25 x 1.5
电缆引入装置 Cable entry device	灯具和镇流器之间的电缆由M25x1.5(M)/M25x1.5(M)防爆挠性连接管(长度: 1000mm)连接, 一个防爆电缆引入装置 (CN970-II-M25 x 1.5 Ex db, 黄铜, 铠装, 电缆布线) The cable between the lamp and the ballast is made of M25x1.5(M)/M25x1.5(M) explosion-proof flexible connecting pipe (Length: 1000mm) connection, an explosion-proof cable entry device (CN970-II-M25 x 1.5 Ex db, brass, armored, cable wiring)
适用电缆外径 Applicable cable outer diameter	Φ10~Φ14 (mm)



G 配光曲线 Light distribution curve

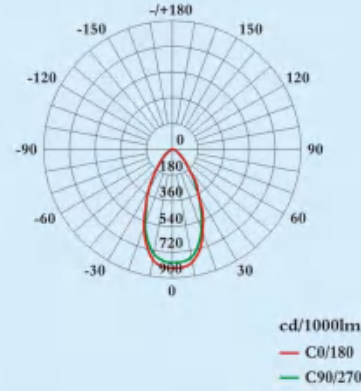
CN151-100-□□(标准无透镜)
CN151-100-□□(Standard without lens)

额定光通量:
Rated luminous flux:
120W LED: 13420lm
160W LED: 17930lm
光效: 112lm/W
Light efficiency: 112lm/W



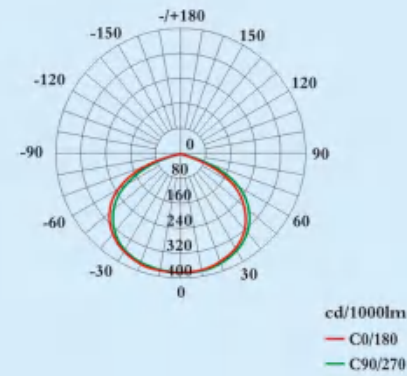
CN151-100-□□(带60°透镜)
CN151-100-□□(with 60° lens)

额定光通量:
Rated luminous flux:
120W LED: 13420lm
160W LED: 17930lm
光效: 112lm/W
Light efficiency: 112lm/W
注: 可根据用户要求配置40°, 25°透镜
Note: 40°, 25° lens can be configured according to user requirements



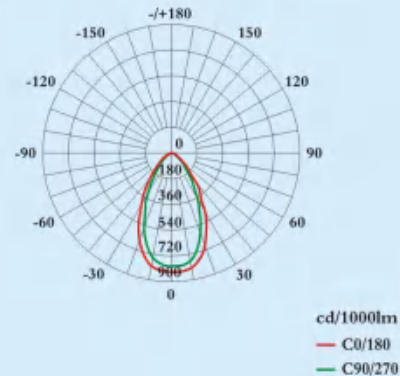
CN151-150-□□(标准无透镜)
CN151-150-□□(Standard without lens)

额定光通量:
Rated luminous flux:
200W LED: 24000lm
240W LED: 28800lm
光效: 120lm/W
Light efficiency: 120lm/W



CN151-150-□□(带60°透镜)
CN151-150-□□(with 60° lens)

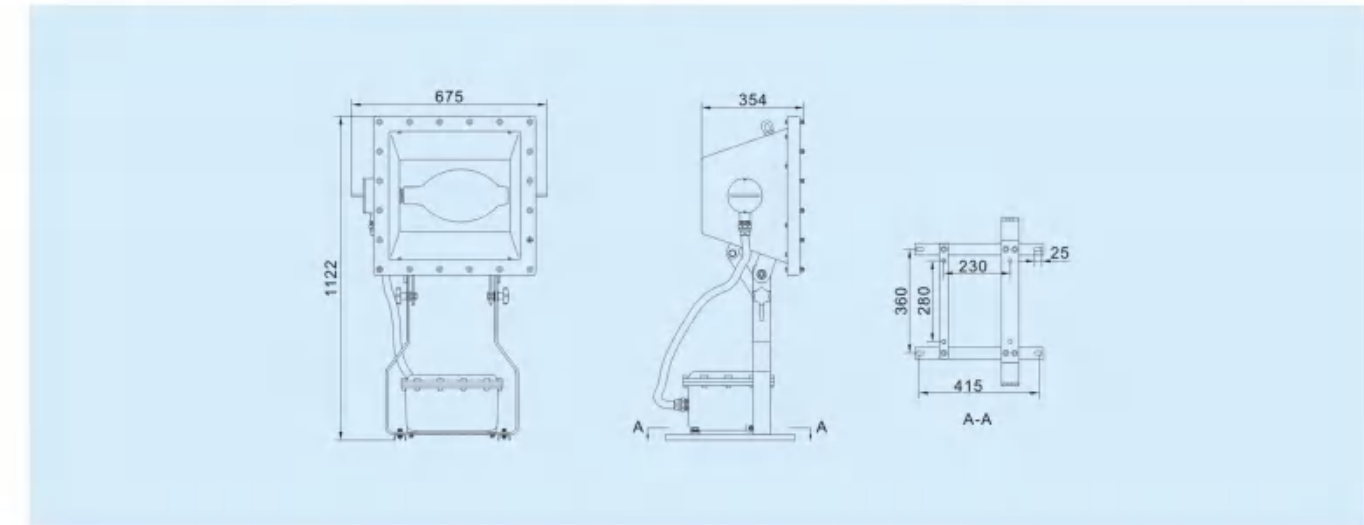
额定光通量:
Rated luminous flux:
200W LED: 24000lm
240W LED: 28800lm
光效: 120lm/W
Light efficiency: 120lm/W
注: 可根据用户要求配置40°, 25°透镜
Note: 40°, 25° lens can be configured according to user requirements



我们可以根据用户要求, 模拟现场环境和条件, 详细计算并提供现场照明设计方案及所有照明参数。
We can simulate the on-site environment and conditions according to user requirements, calculate in detail and provide on-site lighting design plans and all lighting parameters.

CN151 系列防爆投光灯
CN151 Series Explosion-proof floodlight

G 外形示意图 (所有尺寸单位为mm) - 可修改 Outline diagram (all dimensions in mm)-can be modified



G 附件 Annex

图形 Graphics	名称 Name
	防爆电子触发器(125, 250, 400 型) Explosion-proof electronic trigger (125, 250, 400 type)
	125 防爆电容 125 Explosion-proof capacitor
	250 防爆电容 250 explosion-proof capacitor
	400 防爆电容 400 explosion-proof capacitor
	125 移动式支架 125 mobile stand
	250 移动式支架 250 mobile stand

注: 镇流器

Note: Ballast



CN152-I
系列防爆泛光灯
CN152-I
Series Explosion-proof
floodlight

IIB/IIC/Ex tb



C 产品概述 Product overview

- ◆ 防爆性能符合
 - CENELEC标准
 - IEC标准
 - NEC标准
- ◆ 适用于 1区和2区 21区和22区
 - II类, 1区和2区
 - II类, 2区, 气体组别 C, D
 - II类, 1区, 气体组别 C, D
- ◆ 本系列灯具外壳规格有125、250、400和1000四种。
- ◆ 光源、镇流器一体式, 安装和维修方便。
- ◆ 触发器启动快, 性能稳定, 寿命长。
- ◆ 无铜铝外壳, 外表面喷塑。
- ◆ 钢化玻璃罩, 抗热剧变。
- ◆ Explosion-proof performance complies with
 - CENELEC standard
 - IEC standard
 - NEC standard
- ◆ Suitable for zone 1 and zone 2 zone 21 and zone 22
 - Class II, zone 1 and zone 2
 - Class II, zone 2, gas group C, D
 - Class II, zone 1, gas group C, D
- ◆ There are 125, 250, 400 and 1000 shell specifications for this series of lamps.
- ◆ The light source and ballast are integrated, easy to install and maintain.
- ◆ The trigger starts quickly, the performance is stable and the life is long.
- ◆ Copper-free aluminum housing, plastic-sprayed outer surface.
- ◆ Toughened glass cover, resistant to drastic changes in heat.

1区& 2区; 21区& 22区

zone1, zone2, zone21, zone22

CN152-I 系列防爆泛光灯
CN152-I Series Explosion-proof floodlight

C 型号含义 Model meaning

CN152-I - □ - □ □ □
① ② ③ ④ ⑤

- ① 防爆泛光灯 Explosion-proof floodlight
- ② 壳体类型 Enclosure type: 125, 250, 400, 1000
- ③ 光源类型 Type of light source
 - LED : 70W, 100W
 - LED : 80W, 125W
 - LED : 70W, 100W, 150W
- ④ 光源功率 Light source power (W)
- ⑤ 安装方式 Installation method
 - G: 固定式 Fixed
 - Y: 移动式 Mobile

C 选配表 Selection table

型号/订货代号 Model/Order code	适用光源功率 (W) Applicable light source power (W)			灯座 Lamp holder
	LED	LED	LED	
CN152-I-125	70, 100, 150	70, 100	80, 125	E27
CN152-I-250	175, 250	150, 250	175, 250	E40
CN152-I-400	400	400	—	E40
CN152-I-1000	1000	1000	—	E40

C 订货须知 Ordering instructions

1. 订货时请注明备件, 见附件表。
 2. 本系列灯具出厂时125、250和400型不配置光源。推荐使用飞利浦品牌光源。
 3. 采用金卤灯光源时, 常规配置HPI欧标光源镇流器。推荐使用HPI欧标光源。
 4. 本系列灯具出厂时1000型配置光源和镇流器。
1. Please indicate the spare parts when ordering, see the attachment table.
 2. The 125, 250 and 400 models of this series of lamps are not equipped with light sources when they leave the factory. It is recommended to use Philips brand light sources.
 3. When the metal halide light source is used, the HPI European standard light source ballast is conventionally configured. It is recommended to use HPI European standard light source.
 4. The 1000 model of this series of lamps is equipped with light source and ballast when it leaves the factory.



G 技术参数 Technical parameter

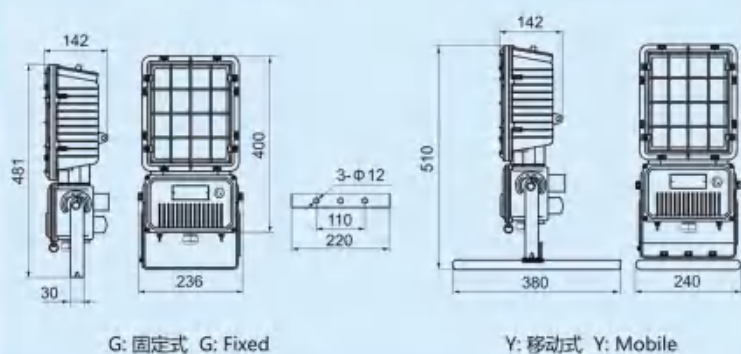
泛光灯 Floodlights	CN152-I-125-□□□
防爆型式 Explosion proof type	Ex II2G Ex db IIC T6 Gb
气体防爆型式 Gas explosion proof type	Ex II2D Ex tb IIIC T80°C Db
粉尘防爆型式 Dust explosion proof type	
执行标准 Executive standard	GB/T 3836.1, GB/T 3836.2, GB/T 3836.31; EN 60079-0, EN 60079-1, EN 60079-7, EN 60079-31, IEC 60079-0, IEC 60079-1, IEC 60079-7, IEC 60079-31
壳体材质 Shell material	无铜铝, 表面喷塑 Copper-free aluminum, plastic sprayed surface
玻璃板 Glass plate	钢化玻璃, 抗4J冲击 Tempered glass, 4J impact resistance
镇流器 Ballast	电感镇流器, 启动快, 性能稳定 Inductive ballast, fast start-up, stable performance
保护网 Protection net	碳钢, 喷塑, 白色 Carbon steel, plastic spray, white
内部反光罩 Internal reflector	高纯铝 High purity aluminum
触发器 Trigger	防爆电子触发器 Explosion-proof electronic trigger
功率因数 Power factor	COSφ≥0.90(补偿 Compensate)
外露紧固件 Exposed fasteners	不锈钢 Stainless steel
灯座 Lamp holder	E27
适用光源和光源功率 (W) Applicable light source and light source power (W)	LED : 70W, 100W LED : 80W, 125W LED : 70W, 100W, 150W
光源规格 Light source specifications	LED模块, 多颗排布 Module, multiple arrangement
额定电压 Rated voltage	220~240V AC 50Hz (60Hz可选 Optional)
接地保护 Ground protection	M5(灯具壳内外均配置接地螺钉) Grounding screws are equipped inside and outside the lamp housing
防护等级 Protection level	IP65、IP66
周围环境温度 Ambient temperature	-60°C~+55°C
接线端子 Terminal block	3 x 1.5~2.5mm ² (L+N+PE)
电缆引入口 Cable entry	2 x Φ21: 1 x M20 x 1.5 电缆引入装置(CN970-I Ex eb, 碳钢), 1 x M20 x 1.5 堵头 2 x Φ21: 1 x M20 x 1.5 Cable entry device (CN970-I Ex eb, carbon steel), 1 x M20 x 1.5 Plugging
适用电缆外径 Applicable cable outer diameter	Φ5~Φ10 (mm)

G 选配表 Selection table

光源 Light source	光源功率(W) Light source power(W)	温度组别 Temperature group	
		气体 Gas	粉尘 Dust
LED	70	T156°C	T156°C
LED	70	T156°C	T156°C
LED	100	T185°C	T185°C
LED	100	T181°C	T181°C
LED	150	T190°C	T190°C
LED	80	T163°C	T163°C
LED	125	T209°C	T209°C

G 外形示意图 (所有尺寸单位为mm) - 可修改

Outline diagram (all dimensions in mm)-can be modified



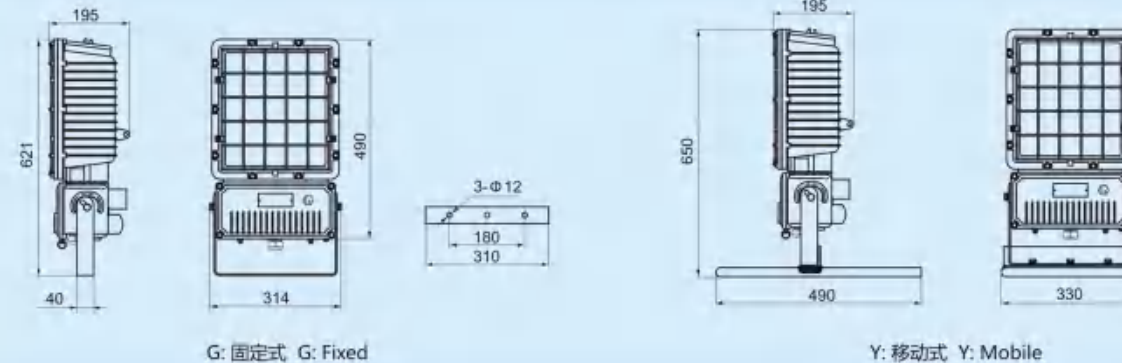
CN152-I 系列防爆泛光灯
CN152-I Series Explosion-proof floodlight

G 技术参数 Technical parameter

防爆泛光灯 Explosion-proof floodlight	CN152-I-250-□□□
防爆型式 Explosion proof type	Ex II2G Ex db IIC T6 Gb
气体防爆型式 Gas explosion proof type	Ex II2D Ex tb IIIC T80°C Db
粉尘防爆型式 Dust explosion proof type	
执行标准 Executive standard	GB/T 3836.1, GB/T 3836.2, GB/T 3836.31 EN 60079-0, EN 60079-1, EN 60079-7 IEC 60079-0, IEC 60079-1, IEC 60079-7, IEC 61241-0, IEC 61241-1
壳体材质 Shell material	无铜铝, 表面喷塑 Copper-free aluminum, plastic sprayed surface
玻璃板 Glass plate	钢化玻璃, 抗4J冲击 Tempered glass, 4J impact resistance
镇流器 Ballast	电感镇流器, 启动快, 性能稳定 Inductive ballast, fast start-up, stable performance
保护网 Protection net	碳钢, 喷塑, 白色 Carbon steel, plastic spray, white
内部反光罩 Internal reflector	高纯铝 High purity aluminum
触发器 Trigger	防爆电子触发器 Explosion-proof electronic trigger
功率因数 Power factor	COSφ≥0.90(补偿 Compensate)
外露紧固件 Exposed fasteners	不锈钢 Stainless steel
灯座 Lamp holder	E40
适用光源和光源功率 (W) Applicable light source and light source power (W)	LED : 150W, 250W LED : 175W, 250W LED : 175W, 250W
光源规格 Light source specifications	LED模块, 多颗排布 Module, multiple arrangement
额定电压 Rated voltage	220~240V AC 50Hz (60Hz可选 Optional)
接地保护 Ground protection	M5(灯具壳内外均配置接地螺钉) Grounding screws are equipped inside and outside the lamp housing
防护等级 Protection level	IP65、IP66
周围环境温度 Ambient temperature	-20°C~+55°C
接线端子 Terminal block	3 x 1.5~2.5mm ² (L+N+PE)
电缆引入口 Cable entry	2 x Φ26: 1 x M25 x 1.5 电缆引入装置(CN970-I Ex eb, 碳钢), 1 x M25 x 1.5 堵头 2 x Φ26: 1 x M25 x 1.5 Cable entry device (CN970-I Ex eb, carbon steel), 1 x M25 x 1.5 Plugging
适用电缆外径 Applicable cable outer diameter	Φ10~Φ14 (mm)

G 外形示意图 (所有尺寸单位为mm) - 可修改

Outline diagram (all dimensions in mm)-can be modified

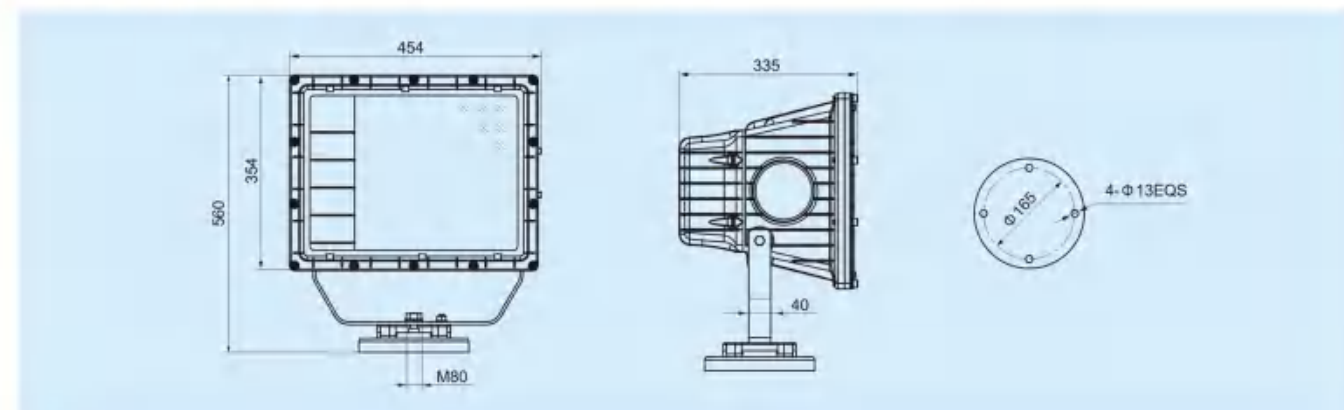




C 技术参数 Technical parameter

防爆泛光灯 Explosion-proof floodlight	CN152-I-400-□□□
防爆型式 Explosion proof type	II2G Ex db IIC T6 Gb
气体防爆型式 Gas explosion proof type	II2D Ex tb IIIC T80°C Db
粉尘防爆型式 Dust explosion proof type	
执行标准 Executive standard	GB/T 3836.1, GB/T 3836.2, GB/T 3836.31 EN 60079-0, EN 60079-1, EN 60079-7 IEC 60079-0, IEC 60079-1, IEC 60079-7, IEC 61241-0, IEC 61241-1
壳体材质 Shell material	无铜铝, 表面喷塑 Copper-free aluminum, plastic sprayed surface
玻璃板 Glass plate	钢化玻璃, 抗4J冲击 Tempered glass, 4J impact resistance
镇流器 Ballast	电感镇流器, 启动快, 性能稳定 Inductive ballast, fast start-up, stable performance
内部反光罩 Internal reflector	高纯铝 High purity aluminum
触发器 Trigger	防爆电子触发器 Explosion-proof electronic trigger
功率因数 Power factor	COSφ ≥ 0.90 (补偿 Compensate)
外露紧固件 Exposed fasteners	不锈钢 Stainless steel
保护网(可选) Protection net (optional)	碳钢, 喷塑, 白色 Carbon steel, plastic spray, white
灯座 Lamp holder	E40
适用光源和光源功率 (W) Applicable light source and light source power (W)	LED : 400W (管形 tube type) LED : 400W (管形 tube type)
光源规格 Light source specifications	LED模块, 多颗排布 Module, multiple arrangement
额定电压 Rated voltage	220~240V AC 50Hz (60Hz可选 Optional)
接地保护 Ground protection	M5(灯具壳内外均配置接地螺钉 Grounding screws are equipped inside and outside the lamp housing)
防护等级 Protection level	IP65、IP66
周围环境温度 Ambient temperature	-20°C ~ +55°C
接线端子 Terminal block	3 x 1.5~4mm ² (L+N+PE)
电缆引入口 Cable entry	2xM25x1.5:1xM25x1.5 电缆引入装置 (CN970-I Ex eb, 碳钢), 1xM25x1.5 堵头 2xM25x1.5:1xM25x1.5 Cable entry device (CN970-I Ex eb, carbon steel), 1xM25x1.5 Plugging
适用电缆外径 Applicable cable outer diameter	Φ10~Φ14 (mm)

C 外形示意图 (所有尺寸单位为mm) - 可修改 Outline diagram (all dimensions in mm) - can be modified



CN152-I 系列防爆泛光灯
CN152-I Series Explosion-proof floodlight

C 技术参数 Technical parameter

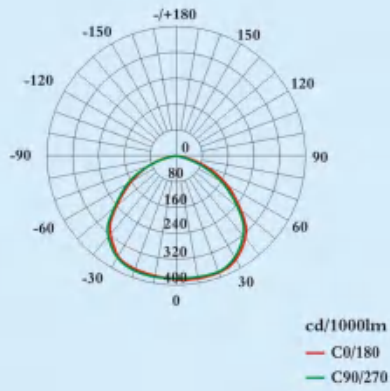
防爆泛光灯 Explosion-proof floodlight	CN152-I-1000-□□□
防爆型式 Explosion proof type	II2G Ex db IIC T6 Gb
气体防爆型式 Gas explosion proof type	II2D Ex tb IIIC T80°C Db
粉尘防爆型式 Dust explosion proof type	
执行标准 Executive standard	GB/T 3836.1, GB/T 3836.2, GB/T 3836.31 EN 60079-0, EN 60079-1, EN 60079-31, IEC 60079-0, IEC 60079-1, IEC 60079-31
壳体材质 Shell material	碳钢焊接, 表面喷塑 Carbon steel welding, plastic sprayed surface
玻璃板 Glass plate	钢化玻璃, 抗4J冲击 Tempered glass, resistant to 4J impact
镇流器 Ballast	电感镇流器, 启动快, 性能稳定 Inductive ballast, fast start-up, stable performance
触发器 Trigger	通用型触发器 Universal flip-flop
功率因数 Power factor	COSφ ≥ 0.90 (补偿 Compensation)
内部反光罩 Internal reflector	高纯铝 High purity aluminum
外露紧固件 Exposed fasteners	不锈钢 Stainless steel
灯座 Lamp holder	E40
适用光源和光源功率 (W) Applicable light source and light source power (W)	LED : 1000W (管形 tube type) LED : 1000W (管形 tube type)
光源规格 Light source specifications	LED模块, 多颗排布 Module, multiple arrangement
额定电压 Rated voltage	230V AC 50Hz (60Hz可选 Optional)
接地保护 Ground protection	M5(灯具壳内外均配置接地螺钉 Grounding screws are equipped inside and outside the lamp housing)
防护等级 Protection level	IP65、IP66
周围环境温度 Ambient temperature	-20°C ~ +55°C
接线端子 Terminal block	3 x 1.5~4mm ² (L+N+PE)
电缆引入口 Cable entry	1 x M25 x 1.5
电缆引入装置 Cable entry device	灯具和镇流器之间的电缆由M25x1.5(M)/M25x1.5(M)防爆挠性连接管 (长度: 1000mm)连接, 一个防爆电缆引入装置 (CN970-II-M25 x 1.5 Ex db, 黄铜, 铠装, 电缆布线) The cable between the lamp and the ballast is made of M25x1.5(M)/M25x1.5(M) explosion-proof flexible connecting pipe (Length: 1000mm) connection, an explosion-proof cable entry device (CN970-II-M25 x 1.5 Ex db, brass, armored, cable wiring)
适用电缆外径 Applicable cable outer diameter	Φ10~Φ14 (mm)



G 配光曲线 Light distribution curve

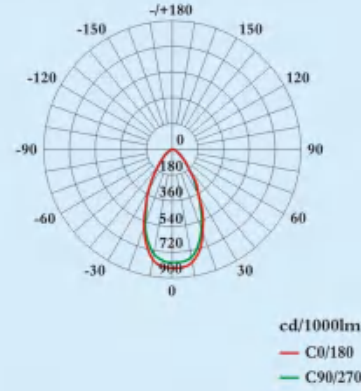
CN152-100-□□(标准无透镜)
CN152-100-□□(Standard without lens)

额定光通量:
Rated luminous flux:
120W LED: 13420lm
160W LED: 17930lm
光效: 112lm/W
Light efficiency: 112lm/W



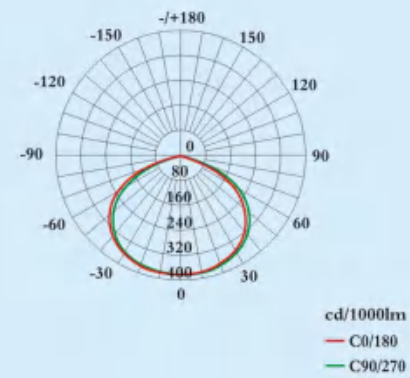
CN152-100-□□(带60°透镜)
CN152-100-□□(with 60° lens)

额定光通量:
Rated luminous flux:
120W LED: 13420lm
160W LED: 17930lm
光效: 112lm/W
Light efficiency: 112lm/W
注: 可根据用户要求配置40°, 25°透镜
Note: 40°, 25° lens can be configured according to user requirements



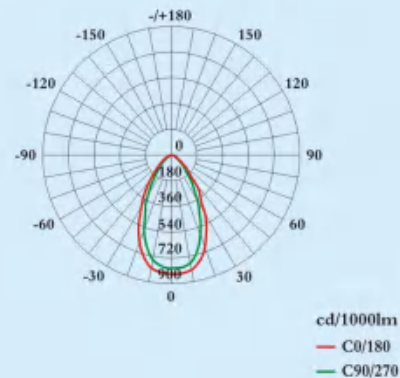
CN152-150-□□(标准无透镜)
CN152-150-□□(Standard without lens)

额定光通量:
Rated luminous flux:
200W LED: 24000lm
240W LED: 28800lm
光效: 120lm/W
Light efficiency: 120lm/W



CN152-150-□□(带60°透镜)
CN152-150-□□(with 60° lens)

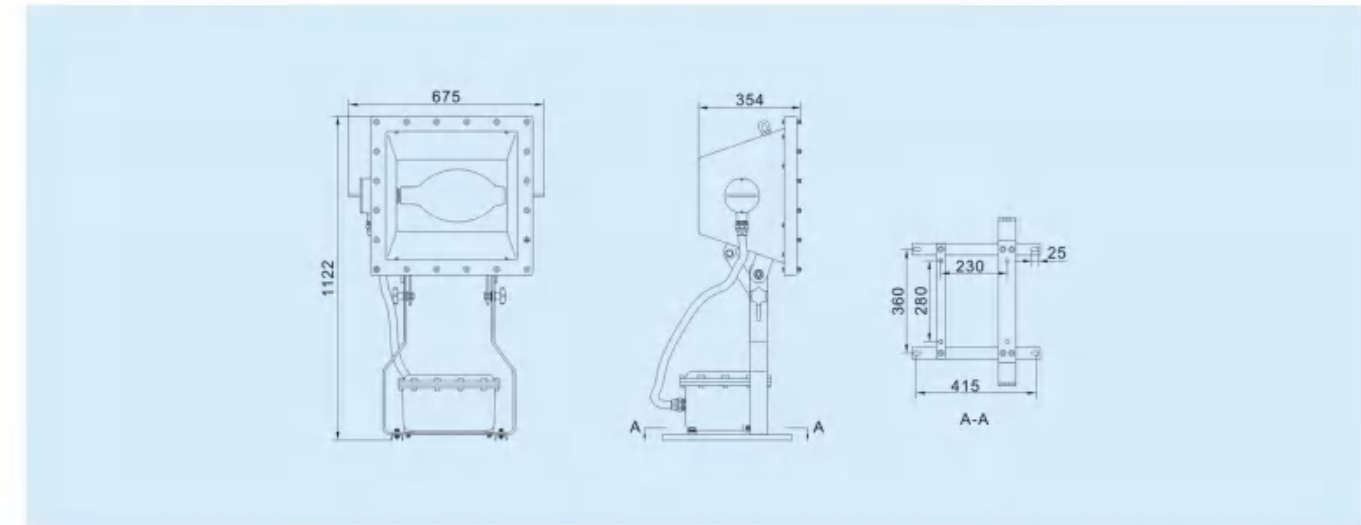
额定光通量:
Rated luminous flux:
200W LED: 24000lm
240W LED: 28800lm
光效: 120lm/W
Light efficiency: 120lm/W
注: 可根据用户要求配置40°, 25°透镜
Note: 40°, 25° lens can be configured according to user requirements



我们可以根据用户要求, 模拟现场环境和条件, 详细计算并提供现场照明设计方案及所有照明参数。
We can simulate the on-site environment and conditions according to user requirements, calculate in detail and provide on-site lighting design plans and all lighting parameters.

CN152-I 系列防爆泛光灯
CN152-I Series Explosion-proof floodlight

G 外形示意图 (所有尺寸单位为mm) - 可修改 Outline diagram (all dimensions in mm)-can be modified



G 附件 Annex

图形 Graphics	名称 Name
	防爆电子触发器(125, 250, 400 型) Explosion-proof electronic trigger (125, 250, 400 type)
	125 防爆电容 125 Explosion-proof capacitor
	250 防爆电容 250 explosion-proof capacitor
	400 防爆电容 400 explosion-proof capacitor
	125 移动式支架 125 mobile stand
	250 移动式支架 250 mobile stand

注: 镇流器

Note: Ballast



CNAM
系列防爆路灯
CNAM
Series Explosion-proof
street lamp

Ex db IIB/Ex tb



C 产品概述 Product overview

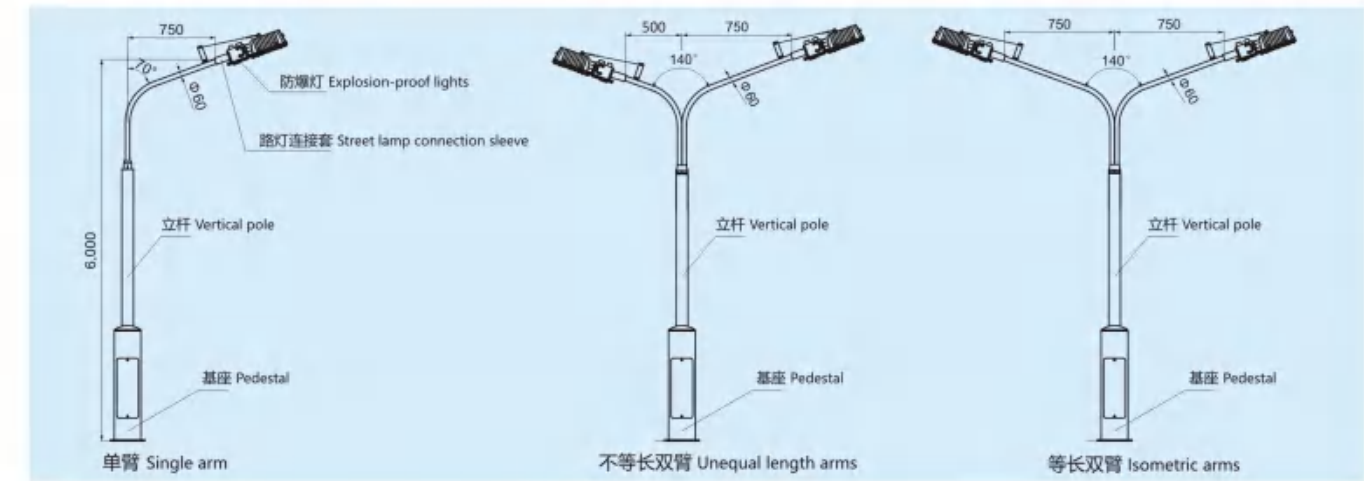
- ◆ 防爆性能符合
 - CENELEC标准
 - IEC标准
 - NEC标准
- ◆ 适用于 1区和2区 21区和22区。
- ◆ 用户可根据现场要求参考下列安装示意图选择合适灯具和安装方式。
- ◆ 各灯具详细技术参数和订货方式请分别查阅本样本中同型号灯具。
- ◆ 马路灯式灯具出厂时不配置灯杆。如有需要，订货时请注明。
- ◆ Explosion-proof performance conforms to
 - CENELEC standard
 - IEC standard
 - NEC standard
- ◆ Suitable for zone 1 and zone 2 zone 21 and zone 22.
- ◆ Users can refer to the following installation diagrams to select suitable lamps and installation methods according to site requirements.
- ◆ Please refer to the lamps of the same model in this catalog for detailed technical parameters and ordering methods of each lamp.
- ◆ Street lamp type lamps are not equipped with lamp poles when they leave the factory. If necessary, please specify when ordering.

1区& 2区; 21区& 22区

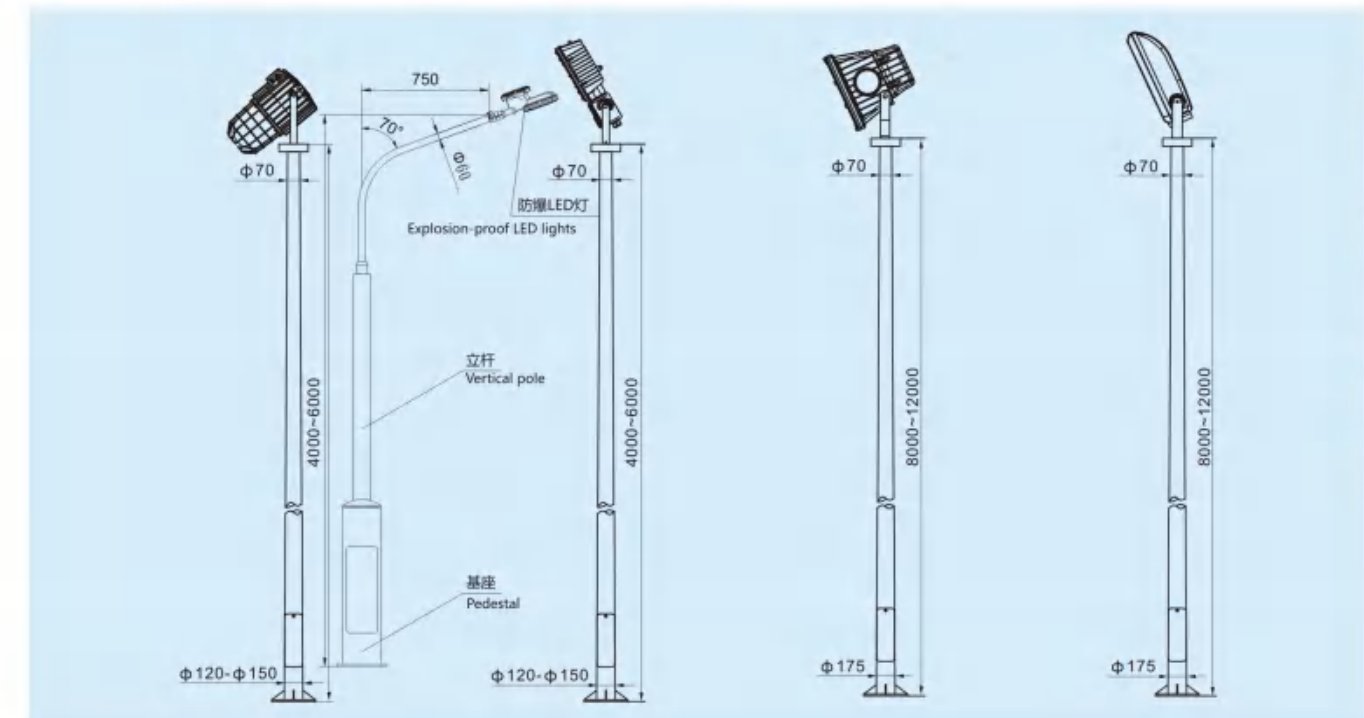
zone1, zone2, zone21, zone22

CNAM 系列防爆路灯
CNAM Series Explosion-proof street lamp

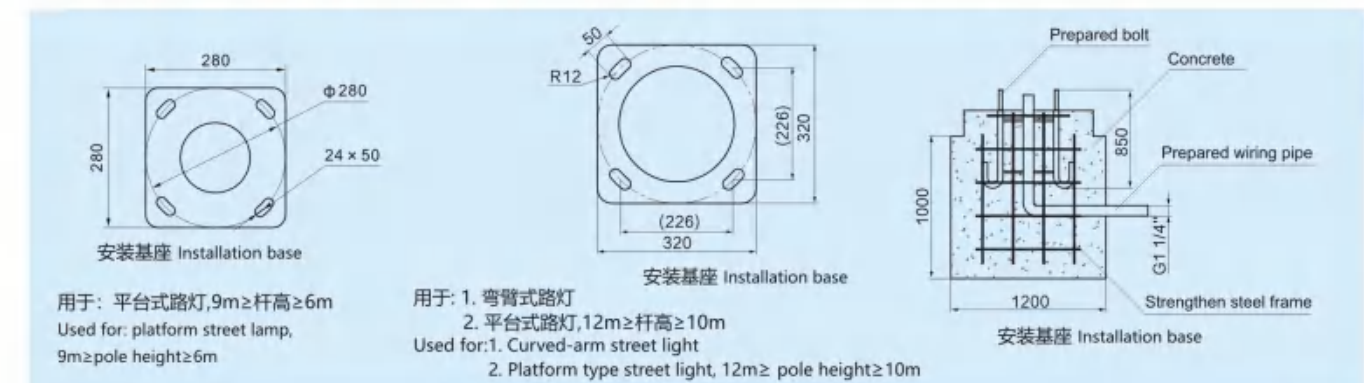
C 弯臂式路灯安装图示 Curved-arm street lamp installation diagram



C 平台式路灯安装图示 Platform type street light installation icon



C 马路灯底座参考图 Reference drawing of street light base





CNAT
系列防爆高杆灯
(IIB、IIC)

CNAT
Series Explosion-proof high
pole lights (IIB、IIC)

IIB/IIC/Ex tb



C 产品概述 Product overview

- ◆ 广泛用于国防工程、航天工程、港口工程、储备库、大型危险品货柜码头、油井开采现场及石化行业等需要大面积集中照明的场所;
- ◆ 适用于爆炸性气体环境的1区、2区场所;
- ◆ 适用于IIA、IIB、IIC类爆炸性气体环境;
- ◆ Widely used in national defense engineering, aerospace engineering, port engineering, storage depot, large-scale dangerous goods container terminal, oil well mining site and petrochemical industry and other places that need large-area centralized lighting;
- ◆ Suitable for areas 1 and 2 in explosive gas environment;
- ◆ Suitable for IIA, IIB, IIC explosive gas environment;

1区& 2区; 21区& 22区

zone1, zone2, zone21, zone22

CNAT 系列防爆高杆灯(IIB、IIC)
CNAT Series Explosion-proof high pole lights (IIB、IIC)

G 型号含义 Model meaning

CNAT - □ □ □ + □
□ □ □ □ □

- 防爆高杆灯 Explosion-proof high pole lights
- 灯杆高度 Height of pole
- 灯杆形式 Light pole form
A型: 固定式 Type A: Fixed
B型: 升降式 Type B: Lifting type
- 灯具数量 Number of lamps
- 灯具型号 Lamp model

G 灯杆参数 Light pole parameters

灯杆高度(m) Height of lamp pole(m)	15	20	25	30	35	40
底径(mm) Bottom diameter(mm)	550	550	580	650	700	720
顶径(mm) Top diameter(mm)	220	220	250	280	300	320
壁厚(mm) Wall thickness(mm)	6/6	6/6	6/8	6/8/8	6/8/10	6/8/10/12

注: 1.以上参数均以升降式为例,

2.实际设计时根据具体情况制定灯杆参数。

Note: 1. The above parameters are based on the lift type as an example.

2. In the actual design, the parameters of the light pole shall be formulated according to the specific situation.

G 灯具型号 Lamp model

灯具型号 Lamp model	灯具名称 Lamp name	防爆标志 Explosion-proof mark
CN151	防爆投光灯 Explosion-proof flood light	Ex db IIC T6 Gb; Ex tb IIC T80°C Db
CN152	防爆泛光灯 Explosion-proof floodlight	Ex db IIC T6 Gb; Ex tb IIIC T80°C Db
CN152	防爆泛光灯 Explosion-proof floodlight	Ex de IIC T6 Gb; Ex tb IIIC T8°C Db
CN152	防爆防腐泛光灯(不锈钢) Explosion-proof and anti-corrosion floodlight (stainless steel)	Ex db IIC T6 Gb; Ex tb IIIC T80°C Db
CN152	防爆泛光灯 Explosion-proof floodlight	Ex db IIC T6 Gb; Ex tb IIIC T180°C Db
CN151	防爆高效节能LED投光灯 Explosion-proof high-efficiency energy-saving LED flood light	Ex db IIC T6 Gb; Ex tb IIIC T80°C Db



G 技术参数 Technical parameter

防爆高杆灯(IIB、IIC) Explosion-proof high pole lights(IIB、IIC)	CNAT
防爆标志 Explosion-proof mark	Ex db eb IIB T6 Ex db eb IIC T6
执行标准 Executive standard	GB/T 3836.1, GB/T 3836.2, GB/T 3836.3, GB/T 3836.31, GB/T 3836.15 IEC60079-0, IEC60079-1, IEC60079-7, EN60079-0, EN60079-1, EN60079-7, GB50017, GBJ135, GB50011, GB 50007, CJ/T3076, GB699, GB/T13912
结构形式 Structure type	<p>本公司防爆高杆灯结构紧凑、整体牢固、组装、维修便利，升降系统和电器系统工作可靠，配光合理，照度均匀，且照明范围可达3000多平方米；防爆高杆灯灯盘造型可按用户意愿或工程需要设计成多种结构形式。</p> <p>The Explosion-proof high pole lamp of our company has compact structure, solid overall, convenient assembly and maintenance, lifting system and electrical system work-reliable, reasonable light distribution, uniform illumination, and the lighting range can reach more than 3000 square meters; the shape of the explosion-proof high-pole lamp panel can be according to user wishes or engineering needs, it is designed into a variety of structural forms.</p>
灯杆 Light pole	<ol style="list-style-type: none"> 灯杆由低碳钢板经剪切、折弯、自动焊接成型； 高杆灯的全部钢结构件均进行热镀锌及表面喷塑处理，使所有内外壁表面均获得妥善保护以延长使用寿命和节约维护费用； 灯杆底部开有电器门，内置防爆自动、手动升降系统和防爆电器控制系统。门上备有特制的门锁，可有效避免非工作人员开启。 <ol style="list-style-type: none"> The lamp pole is made of low carbon steel plate by shearing, bending, automatic welding molding; All steel structural parts of the high pole lamp are hot-dip galvanized and surface sprayed, so that all the inner and outer wall surfaces are properly obtained good protection to extend service life and save maintenance costs; There is an electrical door at the bottom of the light pole, built-in explosion-proof automatic, manual lifting system and Explosion-proof electrical control system. Prepare on the door there are special door locks, which can effectively avoid non-staff opening.
防爆电器控制系统 Explosion-proof electrical control system	<ol style="list-style-type: none"> 防爆电器控制及保护装置都安装固定于灯杆底部的控制箱内，备有照明控制及电机控制线路。 采用手动控制防爆防腐主令控制器，实现远距离控制升降(约5米)。 双回路电力电缆供电，可实现全负荷照明和部分照明，具有手控、光控及电脑时间控制等多种方式，以满足用户的不同需求。 采用拖缆方式供电，防爆控制箱和照明电缆采用特制的具有锁定装置的专用插件连接。 <ol style="list-style-type: none"> Explosion-proof electrical control and protection devices are installed and fixed in the control box at the bottom of the light pole, equipped with lighting control and motor control line. Adopt manual control of Explosion-proof and anti-corrosion master controller to realize remote control lift (about 5 meters). Double loop power cable power supply, can realize full load lighting and partial lighting, with manual control, light control and computer time control and other methods to meet the different needs of users. The tow cable is used for power supply, and the Explosion-proof control box and the lighting cable are connected by a special Plugging-in with a special locking device.
防爆自动、手动升降系统 Explosion-proof automatic and manual lifting system	<p>防爆自动、手动升降系统由防爆电机、蜗轮蜗杆、卷扬机等部件组成。具有自锁性能的蜗轮蜗杆传动机构，可以使灯盘在任何位置停止，并设置过扭矩保护，具有自动、手动操作功能。</p> <p>The Explosion-proof automatic and manual lifting system is composed of explosion-proof motors, worm gears, hoists and other components. The worm gear transmission mechanism with self-locking performance can stop the lamp panel at any position, and is equipped with over-torque protection, with automatic and manual operation functions.</p>

钢缆导向滑轮系统
Steel cable guide pulley system

该组件由三组滑轮臂成120度角排列，并被固定在灯杆顶部固定支撑架上，每组滑轮臂安装有：

1. 终身润滑密封的特制轴承；
2. 专用于灯盘自动锁定，脱落的卸载装置；
3. 高分子非金属绝缘材料的滑轮，对电缆表面无损伤；
4. 防止钢缆滑出导向轮的限位装置；
5. 所有钢制部件均经过热浸锌处理或由不锈钢材料制成。

The assembly consists of three sets of pulley arms arranged at an angle of 120 degrees, and is fixed on the fixed support frame on the top of the light pole, each set of pulley arms installed with:

1. Special bearings with lifetime lubrication and sealing;
2. Dedicated unloading device that automatically locks and falls off the lamp panel;
3. Pulleys made of polymer non-metallic insulating materials have no damage to the surface of the cable;
4. The limit device to prevent the steel cable from slipping out of the guide wheel;
5. All steel parts are hot-dip galvanized or made of stainless steel.

挂钩装置
Hook device

挂钩装置的特殊几何形状由计算机辅助设计而成，经过精密的计算和实际论证，可确保灯盘升至预定位置时，挂钩在钢缆的牵引下与卸载装置产生相对运动，从而达到锁定、脱卸的目的。在正常使用情况下，钢缆处于卸荷状态，延长了钢缆的使用寿命，保证灯盘在恶劣天气情况下处于稳定状态。

The special geometric shape of the hook device is designed by computer aided design. After precise calculation and practical demonstration, it can be confirmed when the lamp panel is raised to a predetermined position, the hook will move relative to the unloading device under the traction of the steel cable, so as to achieve the lock the purpose of setting and unloading. Under normal use, the steel cable is in an unloaded state, which extends the service life of the steel cable. Ensure that the lamp panel is in a stable state under bad weather conditions.

导向及制动系统
Guiding and braking system

此系统在灯盘正常上升和下降过程中起导向作用，一旦钢丝绳发生断裂时，此系统起制动保护，防止灯盘坠落的作用。

1. 导向系统使灯盘在升降过程中始终处于对中位置，防止灯盘偏斜与灯杆碰撞、损伤灯杆或灯盘防腐表面；
2. 制动系统由彼此成120度角排列的三组装置组成，通过同时楔入灯杆的三块制动器，一旦悬吊钢绳再次拉紧，制动器从灯杆上放松使灯盘可以重新升降；
3. 在钢缆处于卸荷状态时，制动器始终保护锁定；
4. 先进的制动技术，防止刚性冲击，制动力更大，制动平稳无噪声。

This system plays a guiding role during the normal ascent and descent of the lamp panel. Once the wire rope breaks, this system plays a role. Brake protection to prevent the lamp panel from falling.

1. The guiding system keeps the lamp panel in the centering position during the lifting process to prevent the lamp panel from deflection and collision and damage to the lamp pole anti-corrosion surface of lamp pole or lamp panel;
2. The braking system consists of three sets of devices arranged at an angle of 120 degrees to each other, through three brakes that are simultaneously wedged into the light pole. Once the suspension rope is tightened again, the brake is released from the lamp pole so that the lamp panel can be raised and lowered again;
3. When the wire rope is in the unloaded state, the brake is always protected and locked;
4. Advanced braking technology prevents rigid impact, has greater braking force, and brakes smoothly and without noise.

防雷接地装置
Lightning protection grounding device

防爆高杆灯必须设置专用接地装置，接地电阻不大于10欧姆。

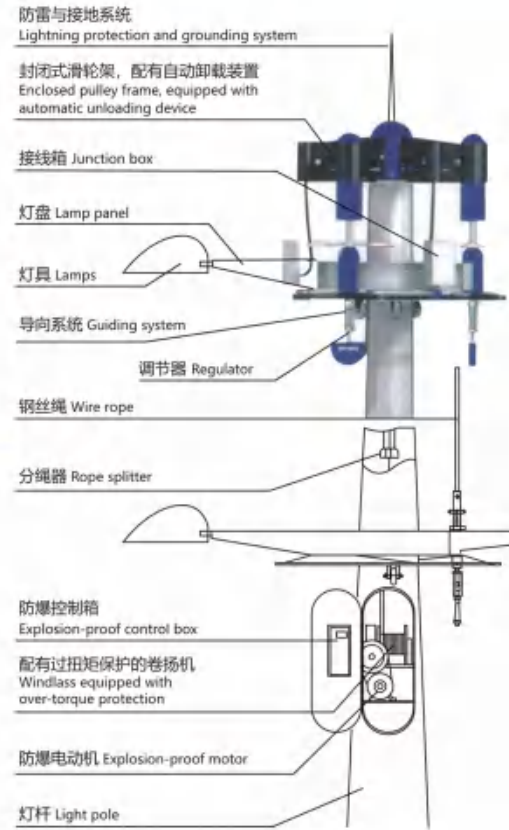
Explosion-proof high pole lights must be equipped with a dedicated grounding device, and the grounding resistance is not more than 10 ohms.

所有机械传动部位均经过非电气防爆处理。

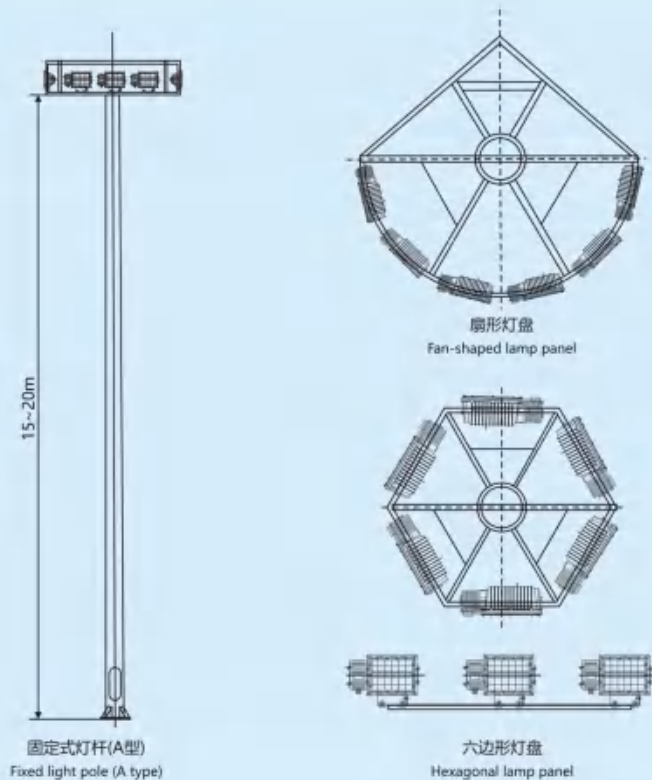
All mechanical transmission parts have undergone non-electrical explosion-proof treatment.



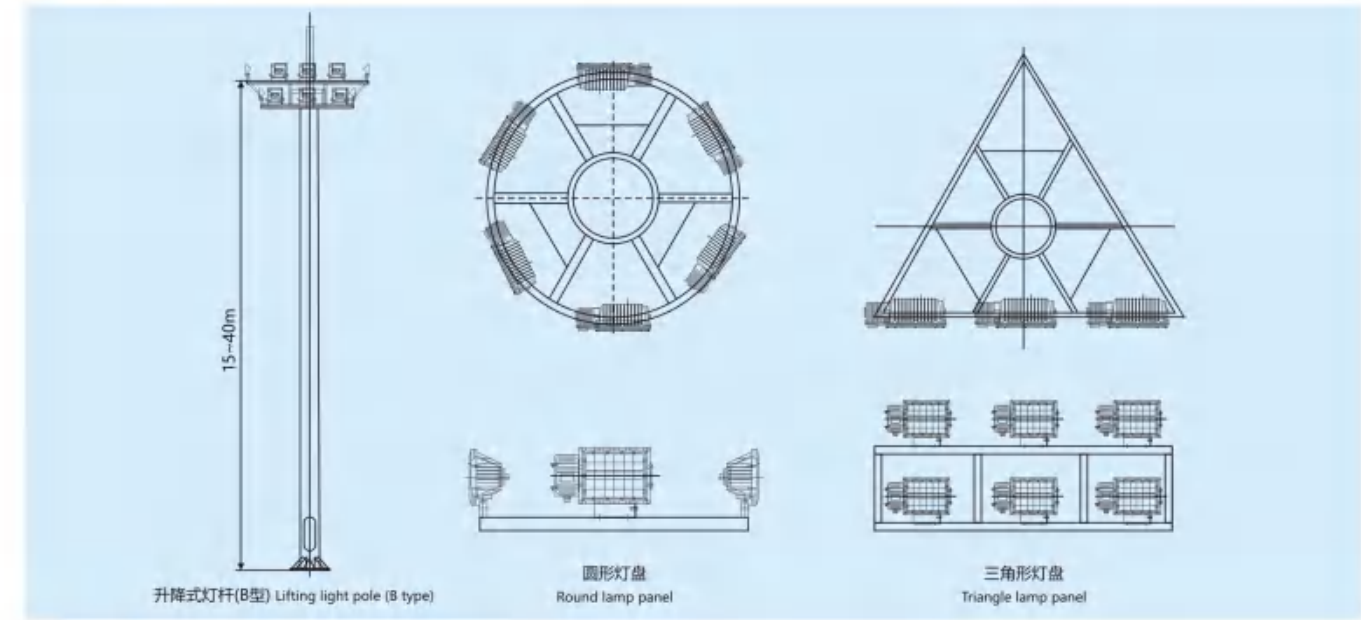
G 灯杆组件 Light pole components



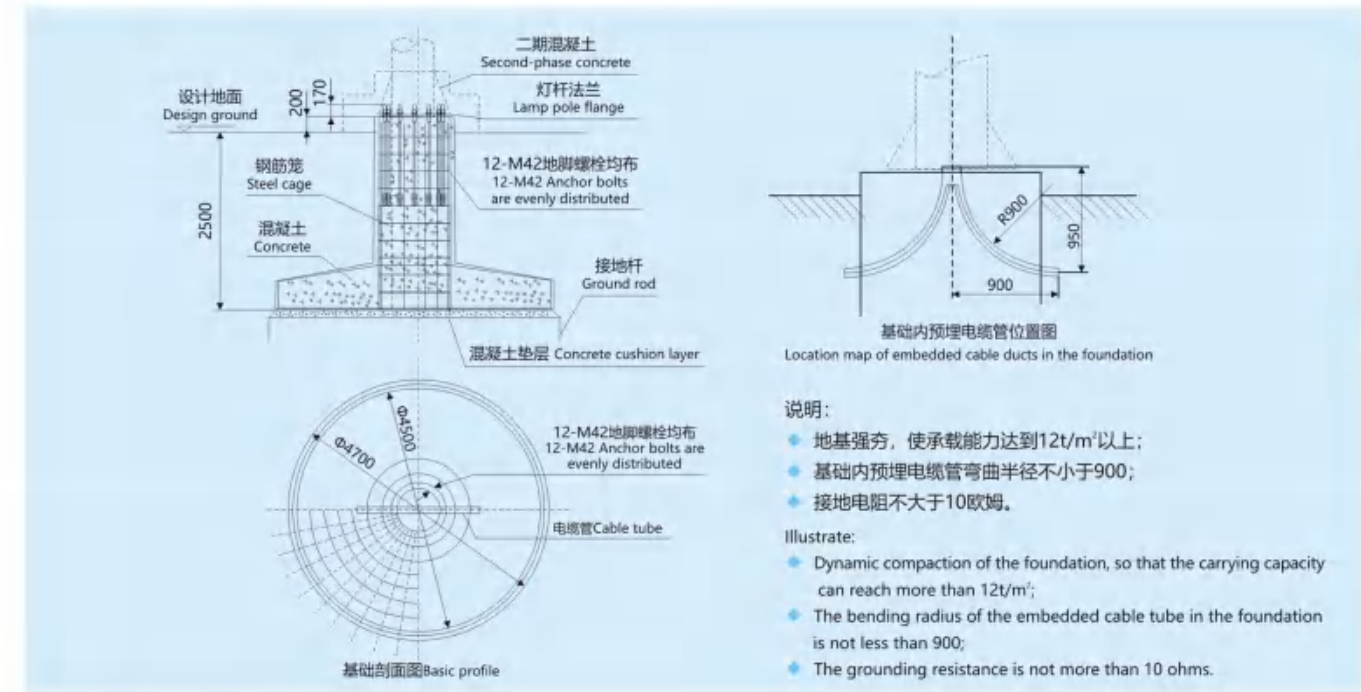
G 外形举例 Shape example



G 外形举例 Shape example



G 基础参考示意图举例 Examples of basic reference diagrams



G 订货须知 Ordering instructions

- 按照产品型号规格说明逐条选择, 例如: 灯杆高度、灯杆形式、灯具数量、灯具类型、灯具功率, 以及灯盘样式、控制方式等;
- 由于高杆灯装置是一项涉及机械、电气、光学、土建结构学的复杂工程, 在订货时请与我公司工程技术人员联系制作具体最佳方案;
- 所有高杆灯的灯具已配相应镇流器及电容, 光源用户自备;
- 所有高杆灯地脚螺栓用户自备, 我公司提供基础参考示意图。
- Choose one by one according to the product model specifications, such as: lamp pole height, lamp pole form, number of lamps, lamp type, lamp power, and lamp panel style, control method, etc;
- Since the high pole light installation is a complex project involving mechanical, electrical, optical, and civil structure, please contact our company's engineering and technical personnel to make the specific best plan when ordering;
- All high-pole lamps are equipped with corresponding ballasts and capacitors, and the light source users should prepare their own;
- All high pole lamp anchor bolts are prepared by users themselves, and our company provides basic reference diagrams.



CNAM-PV
防爆太阳能LED路灯
CNAM-PV
Explosion-proof solar LED
street lamp

Ex db IIB/Ex tb



C 产品概述 Product overview

- ◆ 广泛用于石油开采、炼油、化工、军工等危险环境场所的厂区及道路照明;
- ◆ 适用于布线困难、安装维护困难场所;
- ◆ 适用于日照条件较好的环境;
- ◆ 适用于爆炸性气体环境1区、2区场所;
- ◆ 适用于爆炸性粉尘环境21区、22区场所;
- ◆ 适用于IIA、IIB、IIC类爆炸性气体环境。
- ◆ It is widely used for factory area and road lighting in hazardous environments such as oil extraction, oil refining, chemical industry and military industry.
- ◆ Suitable for places where wiring is difficult and installation and maintenance are difficult;
- ◆ Suitable for environments with good sunlight conditions;
- ◆ Applicable to explosive gas environment Zone 1 and Zone 2 locations;
- ◆ Applicable to explosive dust environments in Zone 21 and Zone 22 locations;
- ◆ It is applicable to explosive gas atmospheres of Class IIA, IIB, IIC.

1区& 2区; 21区& 22区

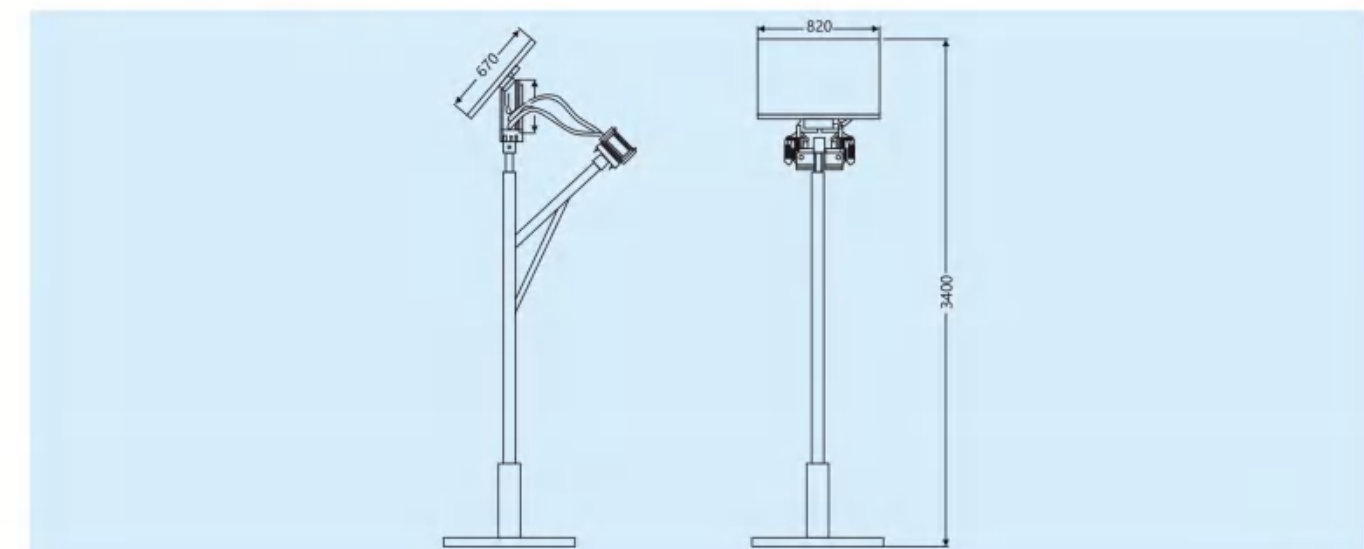
zone1, zone2, zone21, zone22

CNAM-PV 防爆太阳能LED路灯
CNAM-PV Explosion-proof solar LED street lamp

C 技术参数 Technical parameter

CNAM-PV 防爆太阳能LED路灯 CNAM-PV Explosion-proof solar LED street lamp				
电池容量 Battery capacity	DC24V/65AH	DC24V/90AH	DC24V/150AH	DC24V/180AH
控制器 Controller	DC24V/10A	DC24V/10A	DC24V/20A	DC24V/20A
防爆标志 Explosion-proof mark	Ex db nR mc IIB T5 Gc			
额定功率 Product process	50W/70W/100W/120W			
锂电池 Lithium battery	20Ah-240Aah(3.2v/12.8V)			
整灯光效 Overall lighting effect	> 130lm/w			
色温 Color temperature	3000K/4000K/5000K/5700K			
显色指数 Color rendering index	Ra>80			
防护等级 Protection grade	IP66			
防腐等级 Anti-corrosion grade	WF2			
安装高度 Installation height	5-8米			
配置 Configuration	根据用户要求定制 Customized according to user requirements			
太阳能板 Solar panel	严选太阳能板, 光电转化率更高。 Carefully selected solar panels have a higher photoelectric conversion rate.			
铝压铸外壳 Aluminum die-cast housing	ZN102铝合金材料加工成型, 性能稳定更耐用。 The ZN102 aluminum alloy material is processed and formed, featuring stable performance and greater durability.			
锂电池 Lithium battery	3.2V 70AH锂电池容量持久续航照明。 3.2V 70AH lithium battery capacity for long-lasting lighting.			
高亮LED灯 High-brightness LED lights	大功能LED光源高亮节能, 更耐用。 The large-function LED light source is high-brightness, energy-saving and more durable.			

C 安装图示 Installation illustration





太阳能路灯
三防LED路灯
Solar street lamp
Three-Proof LED Street lamp

Ex db IIB/Ex tb



C 产品概述 Product overview

- 太阳能光伏照明系列产品，可根据现场的不同需求和实际情况，对应提供多种设计方案；
- 电池板选用效率为16%~17%的单晶硅太阳能电池片，使组件更有效的进行光电转换，使用寿命25年；
- 配置性价比较高的阀控免维护的铅酸蓄电池；
- 特制的控制器具有恒流模式、负载短路保护、反身放电保护、极性反接保护、雷电保护、充放电保护。
- 太阳能照明系统以太阳能为能源，白天充电晚上用，无需外接电源，安全可靠，绿色节能，充电及开、关灯过程由微电脑智能控制；天黑自动开灯，天亮自动关灯，无需人工操作，使用寿命长；
- 太阳能照明系统是一个全自动的工作系统，只要设定该系统的工作模式就能自动工作。控制模式一般分为光控方式和计时控制方式，一般采用光控或者光控所计时组合工作方式。灯在光照强度低于设定值时控制器启动灯点亮，同时开始计时。当计时到设定时间时光源关闭。
- The solar photovoltaic lighting series products can provide multiple design schemes according to different on-site demands and actual situations.
- The solar panels are made of monocrystalline silicon solar cells with an efficiency of 16% to 17%, enabling the modules to perform photoelectric conversion more effectively and having a service life of 25 years.
- Configure valve-regulated maintenance-free lead-acid batteries with relatively high cost performance;
- The specially designed controller features constant current mode, load short-circuit protection, reverse discharge protection, polarity reverse connection protection, lightning protection and charge and discharge protection.
- The solar lighting system uses solar energy as its power source. It charges during the day and is used at night. There is no need for an external power supply. It is safe, reliable, green and energy-saving. The charging and on/off processes of the lights are intelligently controlled by a microcomputer. It automatically turns on when it gets dark and turns off when it gets light, without the need for manual operation, and has a long service life.
- The solar lighting system is a fully automatic working system. As long as the working mode of this system is set, it can work automatically. The control modes are generally divided into light control mode and timing control mode. Usually, light control or a combination of light control and timing is adopted for operation. When the light intensity is lower than the set value, the controller starts to light up the lamp and simultaneously begins timing. The light source turns off when the timing reaches the set time.

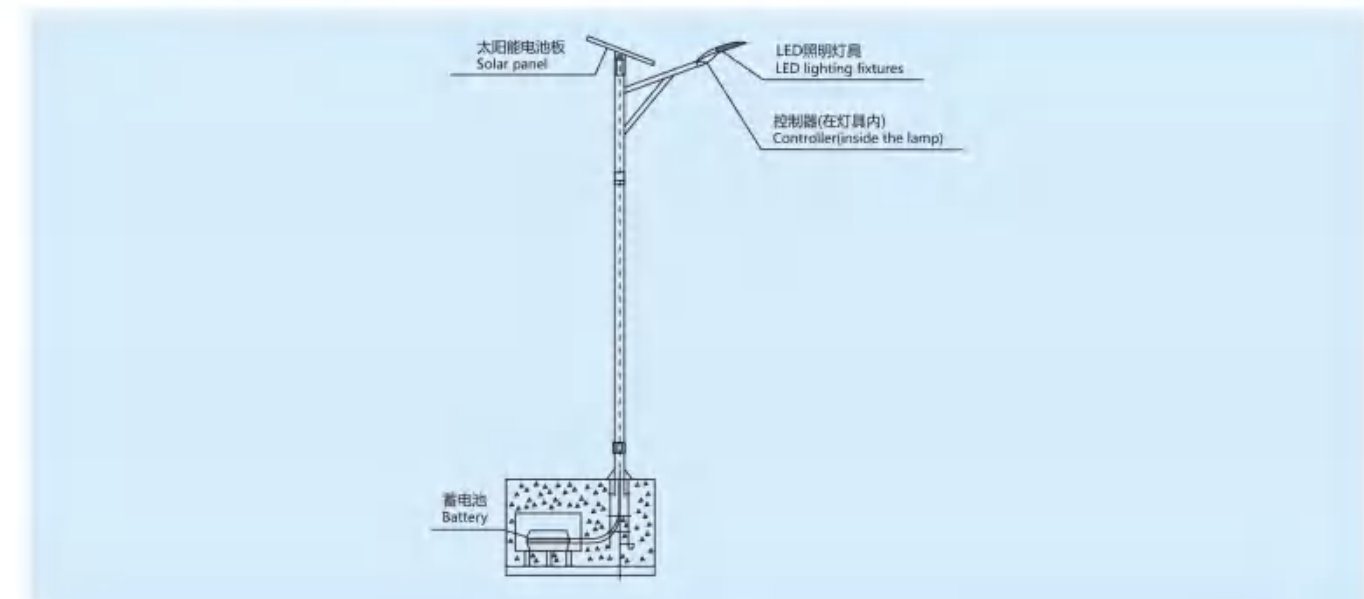
1区& 2区; 21区& 22区

zone1, zone2, zone21, zone22

C 技术参数 Technical parameter

太阳能路灯 Solar street lamp	LED路灯 LED Street lamp			
电池容量 Battery capacity	DC24V/80AH	DC24V/100AH	DC24V/150AH	DC24V/180AH
控制器 Controller	DC24V/10A	DC24V/20A	DC24V/20A	DC24V/20A
产品工艺 Product process	静电喷涂 Electrostatic spraying			
防护等级 Protection grade	IP65			
安装高度 Installation height	6-12米(可定制) 6-12 meters(customizable)			
产品配件 Product accessories	预埋件 Embedded parts			
适用场景 Applicable scenarios	主干道/广场/农村等 Main roads/squares/rural areas, etc			
六大核心优势 Six core advantages	高品质进口芯片，高透光面罩，高亮透镜大灯珠，压铸铝材灯体，磷酸铁锂电池，标准口径接口。 High-quality imported chips, high-transparency face masks, high-brightness lens headlamp beads, die-cast aluminum lamp bodies, lithium iron phosphate batteries, standard diameter connectors.			
智能全自动光控 Intelligent fully automatic light control	天黑亮灯，天亮关灯，全自动智能光控解放双手，定时开关，亮度调节。 It lights up when it gets dark and turns off when it gets light. The fully automatic intelligent light control frees your hands. It has a timer for on and off and brightness adjustment.			
爆亮广角三面发光 The wide-angle lens emits light on three sides	新款爆亮路灯，一套顶三套330°发光无死角。 The new super bright street lamp, one set is equivalent to three sets, with 330° light emission and no blind spots.			
亮灯时长 Duration of lighting	亮如白昼，超长续航。传统平面60°照射面窄，三面发光330°广角照明。 As bright as day, with an extremely long battery life. The traditional flat 60° illumination area is narrow, and the three-sided light emission provides 330° wide-angle illumination.			
大容量续航锂电池 Large-capacity and long-lasting lithium battery	体积小大容量使用寿命长续航快速充电。 Small in size, large in capacity, long in service life, long battery life and fast charging.			
大容量续航锂电池 Large-capacity and long-lasting lithium battery	体积小大容量使用寿命长续航快速充电。 Small in size, large in capacity, long in service life, long battery life and fast charging.			

C 安装图示 Installation illustration





CN160-I
防爆探照灯(手持式)
CN160-I
Explosion-proof searchlight
(handheld)

IIC/Ex tb



C 产品概述 Product overview

- ◆ 防爆性能符合 -CENELEC标准 -IEC标准 -NEC标准
- ◆ 适用于 1区和2区 21区和22区 II类, 1区和2区 II类, 1区, 气体组别 A, B, C, D.
- ◆ 安全可靠: 本产品具有可靠的防爆性能, 可在各种易燃易爆场所安全、可靠工作; 电池加装PTC热敏电阻和温度保险管, 双重保护电路, 提高灯具安全性能。
- ◆ 高效节能: 高能无记忆电池, 寿命长, 自放电率低, 经济环保; 固态高效LED光源, 耗能少, 寿命长。
- ◆ 防水抗摔: 外壳采用进口高硬度合金材料, 具有极佳的抗强力碰撞和冲击, 独特的密封方式, 使产品具有很好的防水性能。抗强干扰: 采用科学的模块驱动电路, 防震、抗电磁干扰能力强。
- ◆ 隔热处理: LED散热器与电池进行有效隔离, 提高灯具稳定性。
- ◆ 智能控制: 采用脉冲调光技术, 强光和工作光可随意转换; 具有电量检测显示灯, 可以时刻了解灯具工作状态; 智能型充电器设有保护电路。
- ◆ 轻便灵活: 体积小、重量轻, 可以手提、肩挎等多种方式, 满足不同工作需求。
- ◆ Explosion-proof performance complies with -CENELEC standard -IEC standard -NEC standard
- ◆ Applicable to zone 1 and zone 2 zone 21 and zone 22 class II, zone 1 and zone 2 class II, zone 1, gas group A, B, C, D.
- ◆ Safe and reliable: This product has reliable explosion-proof performance, can work safely and reliably in various flammable and explosive places; the tank is equipped with PTC thermistor and temperature fuse, double protection circuit, to improve the safety performance of the lamp.
- ◆ High-efficiency and energy-saving: high-energy non-memory battery, long life, low self-discharge rate, economical and environmentally friendly; solid-state high-efficiency LED light source, low energy consumption and long life.
- ◆ Waterproof and anti-drop: The shell adopts imported high-hardness alloy material, which has excellent resistance to strong collision and impact, and has a unique density. the sealing method makes the product have good waterproof performance. Strong anti-interference: using scientific module drive circuit, shockproof, strong anti-electromagnetic interference ability.
- ◆ Heat insulation treatment: The LED radiator is effectively isolated from the battery to improve the stability of the lamp.
- ◆ Intelligent control: adopts pulse dimming technology, strong light and working light can be switched at will; with power detection indicator light, to know the working status of the lamp at all times; the intelligent charger is equipped with a protection circuit.
- ◆ Lightweight and flexible: small in size and light in weight, and can be carried by hand or shoulder-carried to meet different work needs.

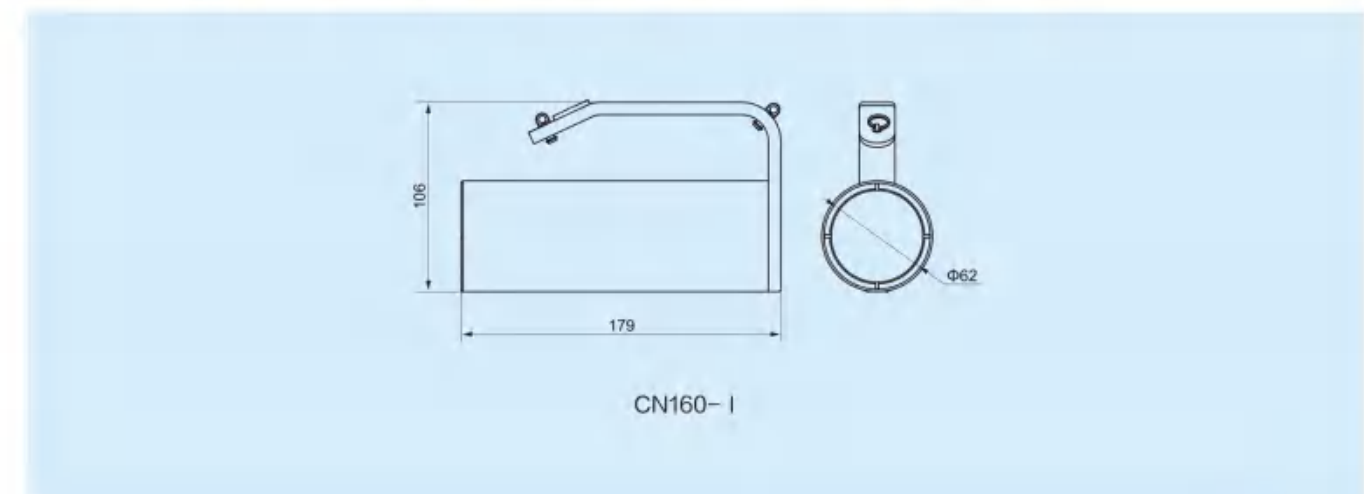
1区& 2区; 21区& 22区

zone1, zone2, zone21, zone22

C 技术参数 Technical parameter

防爆探照灯(手持式) Explosion-proof searchlight (handheld)	CN160-I
防爆型式 Explosion proof type	Ex II2G Ex db ib ab IIC T6 Gb
气体防爆型式 Gas explosion proof type	Ex II2D Ex tb IIIC T80°C Db
粉尘防爆型式 Dust explosion proof type	
执行标准 Executive standard	EN 60079-0, EN 60079-1, EN 60079-11, EN 60079-31 IEC 60079-0, IEC 60079-1, IEC 60079-11, IEC 60079-31
额定电压 Rated voltage	14.8V
额定容量 Rated	2Ah
额定功率 Rated power	9W/3W
强光电流 Strong photocurrent	900mA
连续工作强光 Continuous working bright light	≥8h
连续工作光 Continuous working light	≥16h
充电时间 Charging time	≥8h
充电电压 Charging voltage	100~240V AC, 50/60Hz
电池使用寿命 Battery life	约1000次循环 About 1000 Cycles
防护等级 Protection level	IP65、IP66

C 外形示意图 (所有尺寸单位为mm) - 可修改 Outline diagram (all dimensions in mm)-can be modified





CN160-II
防爆探照灯(手提式)
CN160-II
Explosion-proof searchlight
(portable)

IIC/Ex tb



C 产品概述 Product overview

- ◆ 防爆性能符合 -CENELEC标准 -IEC标准 -NEC标准
- ◆ 适用于 2区 21区和22区 II类, 2区 II类, 2区, 气体组别 A, B, C, D.
- ◆ 安全可靠: 具有优良的防爆性能及良好的防静电效果, 可在易燃易爆场所安全、可靠工作
- ◆ 高效节能: 采用LED固态光源, 能耗低、光效高、寿命长、免维护, 无需后续使用成本; 高能无记忆电池可循环使用, 无污染。
- ◆ 防水抗摔: 灯具采用全密封性工艺设计, 可在潮湿环境和恶劣气候条件下使用, 特制合金外壳确保产品能经受强力碰撞和冲击。
- ◆ 智能控制: 灯具设有强光、工作光两种工作模式, 采用智能芯片控制开关, 强弱光可任意转换; 灯具采用单片机控制, 设有电量显示及特殊的保护电路, 具有防止电池过充、过放和短路保护功能, 可靠地保护电池, 延长灯具使用寿命。
- ◆ 方便耐用: 独特的灯头结构设计, 照明角度可在-45°~55°范围内作任意调节, 无照明死角(强光射程800米, 有效距离300米, 可实现远程探照和近距离大范围照明); 灯具重量轻, 可手提、座放、吊挂、磁力吸附等, 使用方便; 开关具有防误操作功能。
- ◆ Explosion-proof performance complies with -CENELEC standard -IEC standard -NEC standard
- ◆ Suitable for zone 2 zone 21 and zone 22 class II, zone 2 class II, Zone 2, gas group A, B, C, D.
- ◆ Safe and reliable: With excellent explosion-proof performance and good anti-static effect, it can work safely and reliably in flammable and explosive places.
- ◆ High-efficiency and energy-saving: using LED solid-state light source, low energy consumption, high luminous efficiency, long life, maintenance-free, no subsequent use costs; the high-energy non-memory battery can be recycled and is pollution-free.
- ◆ Waterproof and anti-drop: The lamp adopts a fully-sealed process design, can be used in humid environments and harsh weather conditions, and is made of special alloy the shell ensures that the product can withstand strong collisions and shocks.
- ◆ Intelligent control: The lamp has two working modes: strong light and working light, using intelligent chip control switch, strong and weak light can be arbitrary conversion; the lamp is controlled by a single-chip microcomputer, equipped with a power display and a special protection circuit, which can prevent the battery from overcharging and over discharging and short-circuit protection function, reliably protect the battery and extend the life of the lamp.
- ◆ Convenient and durable: unique lamp holder structure design, the lighting angle can be adjusted arbitrarily in the range of -45°~55°, no lighting is dead angle (the strong light range is 800 meters, the effective distance is 300 meters, which can realize long-distance search light and short-distance large-range lighting); the light weight is light, it can be hand-held, placed, hung, magnetically adsorbed, etc. It is easy to use; the switch has the function of preventing misoperation.

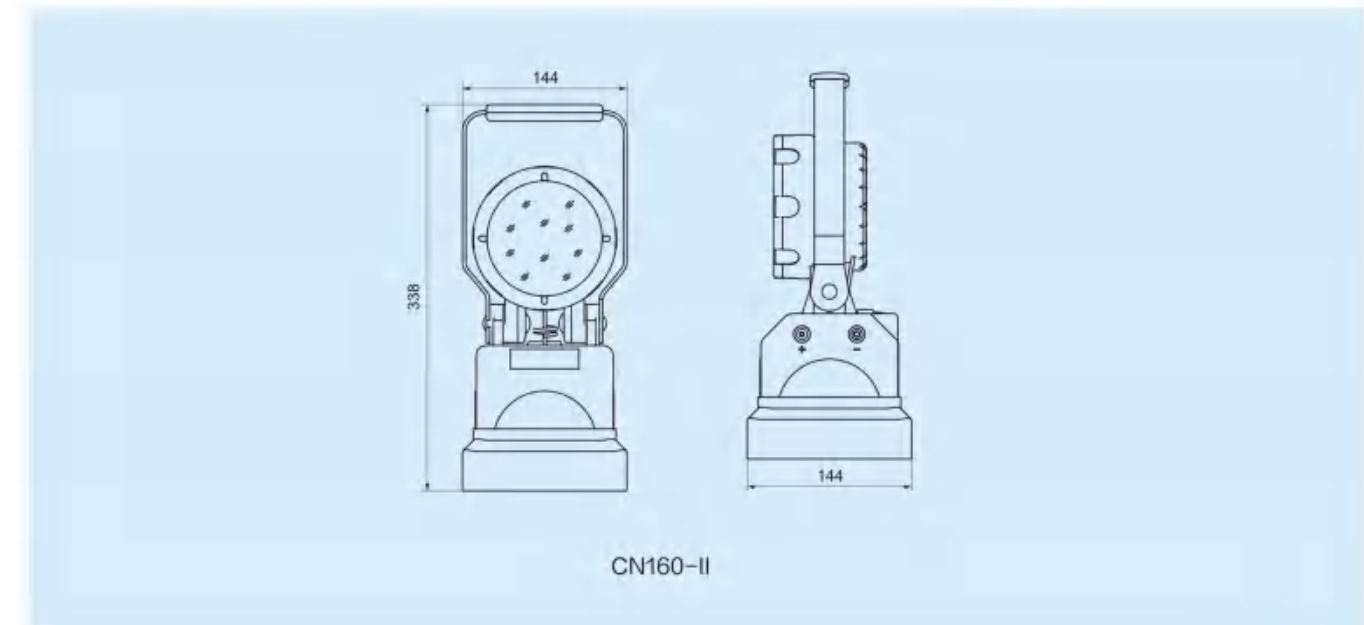
1区& 2区; 21区& 22区

zone1, zone2, zone21, zone22

C 技术参数 Technical parameter

防爆探照灯(手提式) Explosion-proof searchlight (portable)	CN160-II
防爆型式 Explosion proof type	Ex II3G Ex nA nR IIC T6 Gc
气体防爆型式 Gas explosion proof type	Ex II2D Ex tb IIIC T80°C Db
粉尘防爆型式 Dust explosion proof type	
执行标准 Executive standard	EN 60079-0, EN 60079-15, EN 60079-31 IEC 60079-0, IEC 60079-15, IEC 60079-31
额定电压 Rated voltage	14.8V
额定容量 Rated Capacity	4Ah
额定功率 Rated power	9W / 3W
平均使用寿命 Average service life	100000h
连续工作强光 Continuous working bright light	≥8h
连续工作光 Continuous working light	≥18h
充电时间 Charging time	≥8h
充电电压 Charging voltage	100~240V AC, 50/60Hz
电池使用寿命 Battery life	约1000次循环 About 1000 Cycles
防护等级 Protection level	IP65、IP66

C 外形示意图 (所有尺寸单位为mm) - 可修改 Outline diagram (all dimensions in mm)- can be modified



CN160-II



CN170
防爆行灯
CN170
Explosion-proof running
lights

IIC/Ex tb



C 产品概述 Product overview

- ◆ 防爆性能符合
 - CENELEC标准
 - IEC标准
 - NEC标准
- ◆ 适用于 1区和2区 II类, 1区和2区 II类, 2区, 气体组别 A, B, C, D.
- ◆ 白炽灯光源: Max. 60W.
- ◆ 本系列灯具出厂时有无适用连接导线均可。
- ◆ 灯具手柄采用工程塑料材质, 并设控制按钮。
- ◆ 保护网镀锌后喷塑, 白色。
- ◆ 钢化玻璃罩, 抗热剧变。
- ◆ 可根据用户要求加装移动式变压器。
- ◆ Explosion-proof performance conforms to
 - CENELEC standard
 - IEC standard
 - NEC standard
- ◆ Suitable for zone 1 and zone 2 class II, zone 1 and zone 2 class II, zone 2, gas group A, B, C, D.
- ◆ Incandescent light source: max. 60W.
- ◆ This series of lamps can be used with or without suitable connecting wires when they leave the factory.
- ◆ The handle of the lamp is made of engineering plastic and equipped with control button.
- ◆ The protective net is galvanized and sprayed, white.
- ◆ Toughened glass cover, resistant to drastic changes in heat.
- ◆ Mobile transformer can be installed according to user requirements.

1区& 2区; 21区& 22区

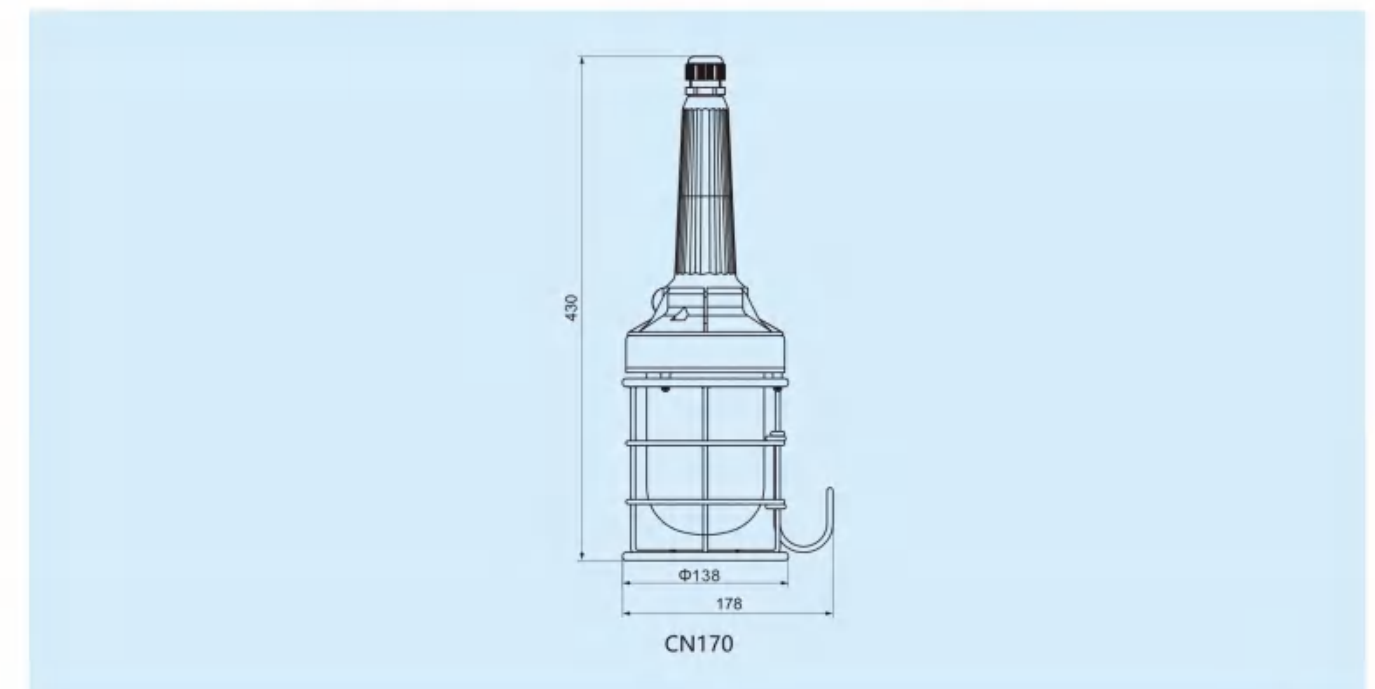
zone1, zone2, zone21, zone22

CN170 防爆行灯
CN170 Explosion-proof running lights

C 技术参数 Technical parameter

防爆行灯 Explosion-proof running lights	CN170
防爆型式 Explosion proof type 气体防爆型式 Gas explosion proof type	II2G Ex db eb IIC T4 Gb
执行标准 Executive standard	EN 60079-0, EN 60079-1, EN 60079-7 IEC 60079-0, IEC 60079-1, IEC 60079-7
壳体材质 Shell material	无铜铝, 外表面喷塑 Copper-free aluminum, plastic sprayed on the outer surface
手柄 Handle	工程塑料, 黑色 Engineering plastic, black
外露紧固件 Exposed fasteners	不锈钢 Stainless steel
保护网 Protection net	碳钢, 喷塑, 白色 Carbon steel, plastic spray, white
灯座 Lamp holder	E27
适用光源 Applicable light source	白炽灯光源 Incandescent light source: 25W, 40W, 60W; LED: 3W, 5W, 8W
额定电压 Rated voltage	Max. 230V
防护类别 Protection category	II (防触电保护 Protection against electric shock)
防护等级 Protection level	IP65, IP66
周围环境温度 Ambient temperature	-20°C~+55°C
接线端子 Terminals	3 x 1.5~2.5mm ² (L+N+PE)
电缆引入口 Cable entry	1 x M25 x 1.5 电缆引入装置 Cable entry device (CN970-I Ex eb, 工程塑料Engineering plastic)
适用电缆外径 Applicable cable outer diameter	Φ9~Φ16 (mm)

C 外形示意图 (所有尺寸单位为mm) - 可修改 Outline diagram (all dimensions in mm)-can be modified





CN180
系列防爆应急灯
CN180
Series Explosion-proof
emergency light

IIB/Ex tb



C 产品概述 Product overview

- ◆ 防爆性能符合
 - CENELEC标准
 - IEC标准
 - NEC标准
- ◆ 适用于 1区和2区 II类, 1区和2区 II类, 1区, 气体组别 C, D.
- ◆ 无铜铝外壳, 表面喷塑。
- ◆ 本系列灯具可任意调节照射角度。
- ◆ 小功率卤钨灯光源, 聚光性能强, 配反光罩, 增加光强度。
- ◆ 应急设备带镍氢电池, 自动充电; 当电源断开时, 应急设备自动开始工作; 具有过放电, 过充电保护功能。
- ◆ 钢化玻璃罩, 抗热剧变。
- ◆ Explosion-proof performance conforms to
 - CENELEC standard
 - IEC standard
 - NEC standard
- ◆ Suitable for zone 1 and zone 2 class II, zone 1 and zone 2 class II, zone 1, gas group C, D.
- ◆ Copper-free aluminum shell, plastic sprayed surface.
- ◆ The illumination angle of this series of lamps can be adjusted arbitrarily.
- ◆ Low-power halogen tungsten light source, strong light-gathering performance, equipped with reflector to increase light intensity.
- ◆ The emergency equipment is equipped with nickel-metal hydride batteries, which are automatically charged; when the power supply is disconnected, the emergency equipment automatically starts to work; it has over-discharge, overcharge protection function.
- ◆ Toughened glass cover, resistant to drastic changes in heat.

1区& 2区; 21区& 22区

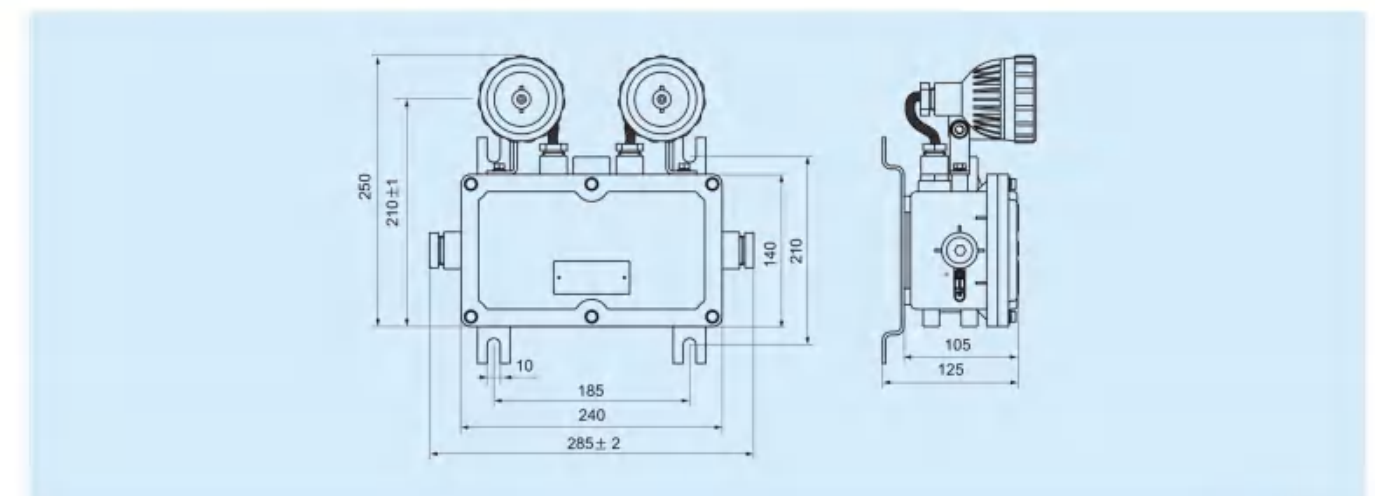
zone1, zone2, zone21, zone22

CN180 系列防爆应急灯
CN180 Series Explosion-proof emergency light

C 技术参数 Technical parameter

防爆应急灯 Explosion proof emergency light	CN180
防爆型式 Explosion proof type	Ex II2G Ex db IIC T6 Gb
气体防爆型式 Gas explosion proof type	Ex II2D Ex tb IIIC T80°C Db
粉尘防爆型式 Dust explosion proof type	
执行标准 Executive standard	EN 60079-0, EN 60079-1 IEC 60079-0, IEC 60079-1
壳体材质 Shell material	无铜铝, 表面喷塑 Copper-free aluminum, plastic sprayed surface
外露紧固件 Exposed fasteners	不锈钢 Stainless steel
额定电压 Rated voltage	220~240V AC 50/60Hz
适用光源 Applicable light source	卤钨灯 (LED光源可选) Tungsten halogen lamp (LED light source optional)
光源功率 Light source power(W)	2 x 10W (LED光源功率: 2 x 1W) 2 x 10W (LED light source power: 2 x 1W)
应急时间 Emergency time	90min
额定光通量 Rated luminous flux	卤钨灯: 2 x 100lm (LED光源: 2 x 90lm) Tungsten halogen lamp: 2 x 100lm (LED light source: 2 x 90lm)
规格名称 Specification name	镍氢电池NiMH Batterie
额定容量 Rated capacity	6Ah
额定电压 Rated voltage	6V
充电电流 Recharging current	300mA
放电电流 Discharge current	1000mA
充电时间 Charging time	24h
防护等级 Protection level	IP65、IP66
周围环境温度 Ambient temperature	-20°C~+55°C
接线端子 Terminals	3 x 1.5~2.5mm ² (L+N+PE)
电缆引入入口 Cable entry	2 x M25 x 1.5堵头 Plugging
电缆引入装置(可选) Cable entry device(optional)	推荐使用 Recommend to use CN970-II (Ex db)或or CN970-III (Ex db)

C 外形示意图 (所有尺寸单位为mm) - 可修改 Outline diagram (all dimensions in mm) - can be modified





CN190-I
系列防爆标志灯
CN190-I
Series Explosion-proof
marker light

IIC/Ex tb



C 产品概述 Product overview

- ◆ 防爆性能符合
 - CENELEC标准
 - IEC标准
 - NEC标准
- ◆ 适用于 1区和2区
- ◆ 用于正常照明和应急照明两用；当电源断开时，应急设备自动开始工作；具有过放电，过充电和短路保护功能。
- ◆ 设有试验按钮，便于用户检查应急功能。按下试验按钮，灯具自动切换到应急状态。
- ◆ 采用超亮度LED光源，高效节能，使用寿命长达5万个小时。
- ◆ 无铜铝外壳，表面喷塑。
- ◆ 钢化玻璃板，抗热剧变。
- ◆ Explosion-proof performance conforms to
 - CENELEC standard
 - IEC standard
 - NEC standard
- ◆ Suitable for zone 1 and zone 2
- ◆ It is used for both normal lighting and emergency lighting; when the power supply is disconnected, the emergency equipment automatically starts to work; with over-discharge, overcharge and short circuit protection functions.
- ◆ Equipped with a test button, which is convenient for users to check the emergency function. Press the test button, the lamp will automatically switch to the emergency state.
- ◆ Using ultra-bright LED light source, high efficiency and energy saving, with a service life of up to 50,000 hours.
- ◆ Copper-free aluminum shell, plastic sprayed surface.
- ◆ Toughened glass plate, resistant to drastic changes in heat.

1区& 2区; 21区& 22区

zone1, zone2, zone21, zone22

CN190-I 系列防爆标志灯
CN190-I Series Explosion-proof marker light

C 型号含义 Model meaning

CN190-I- □ □
□ □ □

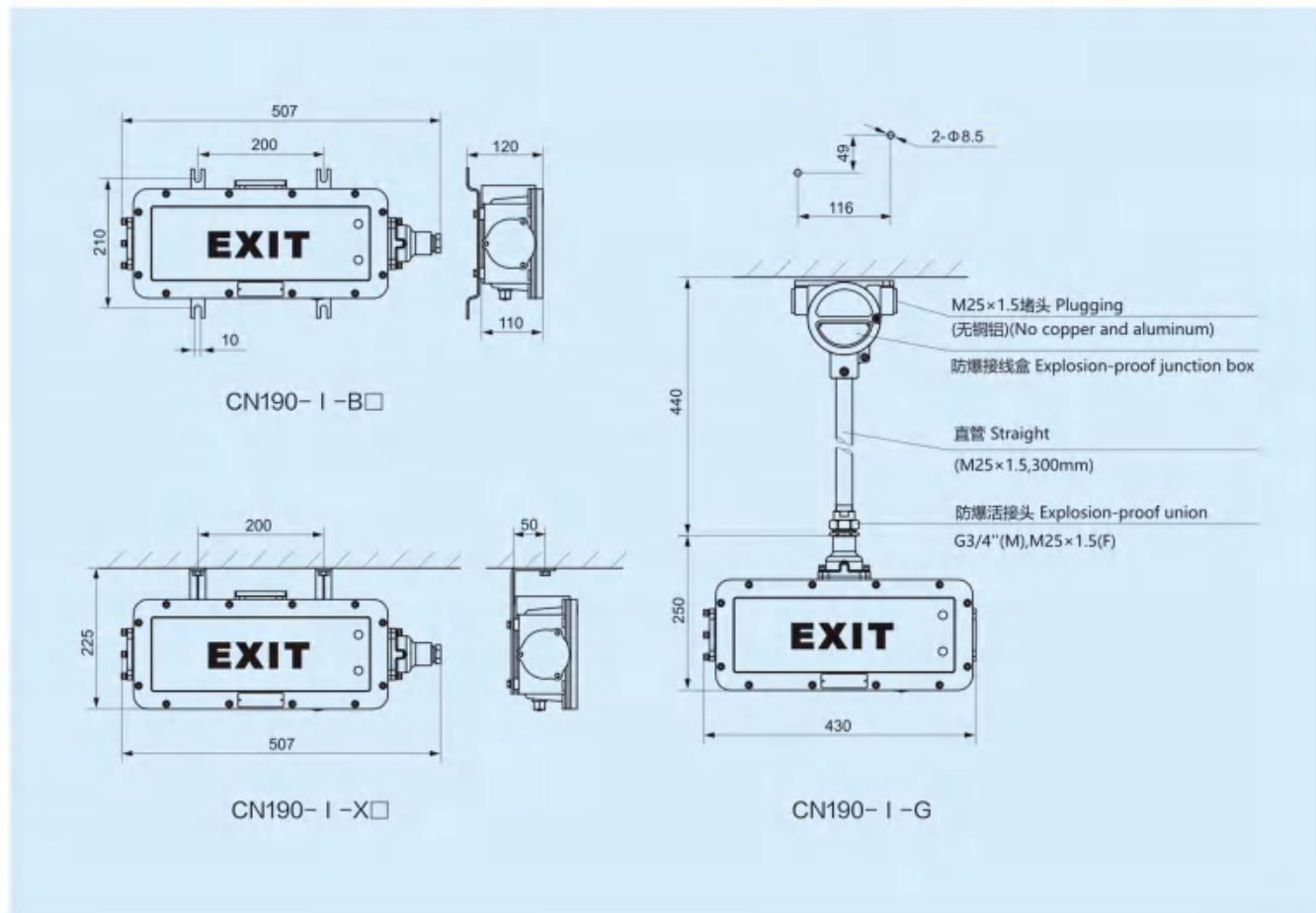
- 防爆标志灯 Explosion-proof sign light
- 安装方式 Installation method
 - B: 壁式 Wall type
 - X: 吸顶式 Ceiling type
 - G: 吊杆式 Boom type
- 指示牌代号 Sign code: A~G

C 技术参数 Technical parameter

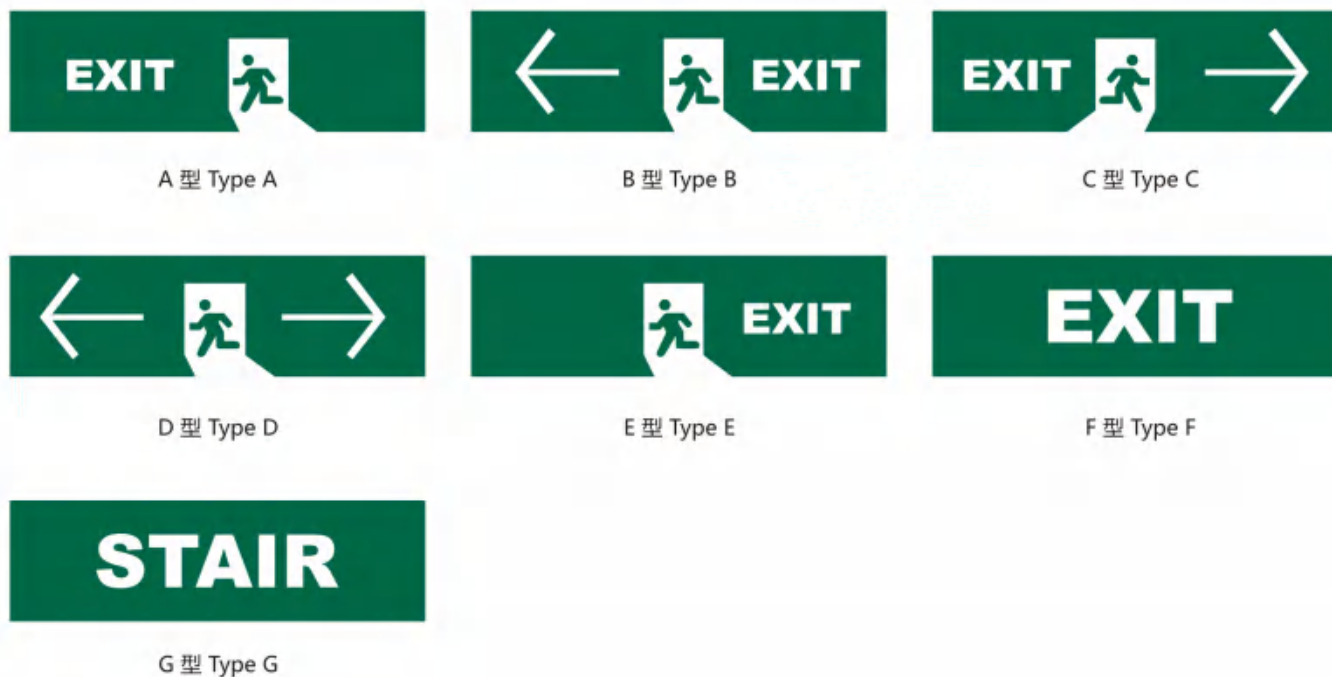
防爆标志灯 Explosion proof sign lamp	CN190-I-□□
防爆型式 Explosion proof type	Ex IIC Ex db IIC T6 Gb
气体防爆型式 Gas explosion proof type	Ex IIC Ex db IIC T6 Gb
粉尘防爆型式 Dust explosion proof type	Ex IIC Ex db IIC T6 Gb
执行标准 Executive standard	GB/T 3836.1, GB/T 3836.2, GB/T 3836.31 EN 60079-0, EN 60079-1, IEC 60079-0, IEC 60079-1
壳体材质 Shell material	无铜铝，外表面喷塑 Copper-free aluminum, plastic sprayed on the outer surface
外露紧固件 Exposed fasteners	不锈钢 Stainless steel
额定电压 Rated voltage	220~240V AC 50/60Hz
光源 Light source	LED光源(工作电压 DC 3.6V) LED light source (working voltage DC 3.6V)
功耗 Power consumption	2W
应急时间 Emergency time	180min
额定容量 Rated capacity	1400mAh
充电时间 Charging time	24h
接地保护 Ground protection	M5(灯具壳内外均配置接地螺钉) Grounding screws are equipped inside and outside the lamp housing)
防护等级 Protection level	IP65、IP66
周围环境温度 Ambient temperature	-20°C~+55°C
接线端子 Terminals	3 x 1.5~2.5mm ² (L+N+PE)
电缆引入口 Cable entry	壁式和吸顶式为1 x M25 x 1.5; 吊杆式为2 x M25 x 1.5 Wall type and ceiling type are 1 x M25 x 1.5; boom type is 2 x M25 x 1.5
电缆引入装置 Cable entry device	1. 壁式和吸顶式出厂时配置密封垫和压紧装置；电缆引入装置可根据要求配置。 2. 吊杆式出厂时配置防爆接线盒(无铜铝)；M25 x 1.5 堵头、Ex db电缆引入装置可选，推荐使用CN970-II (Ex db)或CN970-III (Ex db)。 1. Wall type and ceiling type are equipped with sealing gasket and pressing device at the factory; the cable entry device can be configured according to requirements. 2. The boom type is equipped with an explosion-proof junction box (no copper and aluminum) at the factory; M25 x 1.5 Plugging and Ex db cable entry device are optional, Recommend to use CN970-II (Ex db) or CN970-III (Ex db).
适用电缆外径 Applicable cable outer diameter	Φ10~Φ14 (mm)



G 外形示意图 (所有尺寸单位为mm) - 可修改 Outline diagram (all dimensions in mm)-can be modified



G 指示牌代号 A~G型 Indicating plate code A~G type



CN191 系列防爆视孔灯
CN191 Series Explosion-proof sight hole lamp

CN191
系列防爆视孔灯
CN191
Series Explosion-proof
sight hole lamp

IIB/Ex tb



G 产品概述 Product overview

- ◆ 防爆性能符合
 - CENELEC标准
 - IEC标准
 - NEC标准
- ◆ 适用于 1区和2区 21区和22区
- ◆ 适用于35W或50W功率的卤钨灯光源，具有光效高和寿命长等优点。
- ◆ 有A、B两种安装方式可供用户选择。
- ◆ 无铜铝外壳，表面喷塑。
- ◆ Explosion-proof performance conforms to
 - CENELEC standard
 - IEC standard
 - NEC standard
- ◆ Suitable for zone 1 and zone 2 zone 21 and zone 22
- ◆ Suitable for 35W or 50W power halogen tungsten light source, with the advantages of high luminous efficiency and long life.
- ◆ There are two installation methods, A and B, for users to choose.
- ◆ Copper-free aluminum shell, plastic sprayed surface

1区& 2区; 21区& 22区
zone1, zone2, zone21, zone22



G 型号含义 Model meaning

CN191- □ / □ □
□ □ □ □

- 防爆视孔灯 Explosion-proof sight hole lamp
- 光源功率 Light source power (W)
- 额定电压 Rated voltage (V)
240: 220~240V AC
12: 12V DC
- 安装方式 Installation method
A: A型 Type A
B: B型 Type B

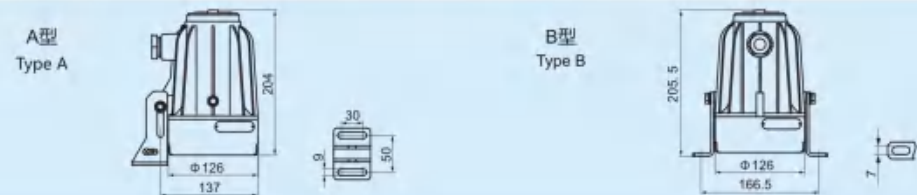
G 选配表 Selection table

型号/订货代号 Model/Order code	适用光源功率(W) Applicable light source power(W)	型号/订货代号 Model/Order code	适用光源功率(W) Applicable light source power(W)
CN191-35/240A	35W 卤钨灯 35W halogen lamp	CN191-50/240A	50W 卤钨灯 50W halogen lamp
CN191-35/240B		CN191-50/240B	
CN191-35/12A		CN191-50/12A	
CN191-35/12B		CN191-50/12B	

G 技术参数 Technical parameter

防爆视孔灯 Explosion proof sight light	CN191-□□□□
防爆型式 Explosion proof type	Ex II2G Ex db IIC T6 Gb
气体防爆型式 Gas explosion proof type	Ex II2D Ex tb IIIC T80°C Db
粉尘防爆型式 Dust explosion proof type	
执行标准 Executive standard	GB/T 3836.1, GB/T 3836.2, GB/T 3836.31 EN 60079-0, EN 60079-1, EN 60079-31, IEC 60079-0, IEC 60079-1, IEC 60079-31
壳体材质 Shell material	无铜铝, 表面喷塑 Copper-free aluminum, plastic sprayed surface
玻璃罩 Glass cover	钢化玻璃, 抗冲击, 透光率高 Tempered glass, impact resistance, high light transmittance
外露紧固件 Exposed fasteners	不锈钢 Stainless steel
光源 Light source	卤钨灯 Tungsten halogen lamp
适用光源 Applicable light source	GY6.35
灯座 Lamp holder	35W, 50W
光源功率 Light source power (W)	220~240V AC 50Hz
适用电压 Applicable voltage	12V DC; 24V AC/DC
接地保护 Ground protection	M5(灯具壳内外均配置接地螺钉 Grounding screws are equipped inside and outside the lamp housing)
防护等级 Protection level	IP65、IP66
周围环境温度 Ambient temperature	-60°C~+60°C
接线端子 Terminal block	3 x 1.5~2.5mm ² (L+N+PE)
电缆引入口 Cable entry	1 x G3/4"
电缆引入装置 Cable entry device	配置密封垫和电缆压紧装置, 电缆引入装置可根据要求配置。 Equipped with sealing gasket and cable compression device, the cable entry device can be configured according to requirements.
适用电缆外径 Applicable cable outer diameter	Φ10~Φ14 (mm)

G 外形示意图 (所有尺寸单位为mm) - 可修改 Outline diagram (all dimensions in mm) - can be modified



CN191-LED
系列防爆LED视孔灯
CN191-LED
Series of Explosion-proof LED
sight hole lights

IIC/Ex tb



G 产品概述 Product overview

- ◆ 防爆性能符合
 - CENELEC标准
 - IEC标准
 - NEC标准
- ◆ 适用于 1区和2区 21区和22区
- ◆ 适用光源和光源功率: LED光源, 节能, 寿命长, 9W。
- ◆ 无铜铝外壳, 表面喷塑。
- ◆ Explosion-proof performance conforms to
 - CENELEC standard
 - IEC standard
 - NEC standard
- ◆ Suitable for zone 1 and zone 2 zone 21 and zone 22
- ◆ Applicable light source and light source power: LED light source, energy saving, long life, 9W.
- ◆ Copper-free aluminum shell, plastic sprayed surface.

1区&2区; 21区&22区
zone1, zone2, zone21, zone22



G 型号含义 Model meaning

CN191-LED-□/□
□ □ □ □

- 防爆LED视孔灯 Explosion-proof LED sight hole lights
- 光源功率(W) Light source power (W)
- 额定电压(V) Rated voltage (V)
- 265: 187~265V AC
- 24: 24V AC/DC
- 12: 12V AC/DC

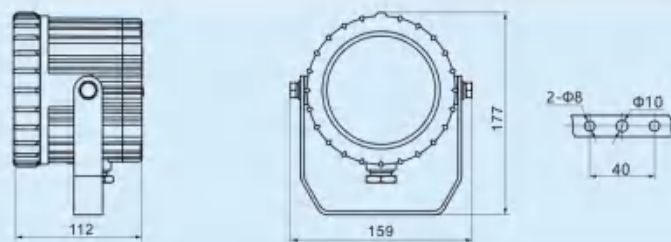
G 选配表 Selection table

型号/订货代号 Model/Order code	光源功率(W) Light source power (W)	额定电压(V) Rated voltage(V)
CN191-LED-9/265	9	187~265V AC 50/60Hz
CN191-LED-9/24		24V AC/DC
CN191-LED-9/12		12V AC/DC

G 技术参数 Technical parameter

防爆LED视孔灯 Explosion proof led sight light	CN191-LED-□/□
防爆型式 Explosion proof type	Ex II2G Ex db IIC T6 Gb
气体防爆型式 Gas explosion proof type	Ex II2D Ex tb IIIC T80°C Db
粉尘防爆型式 Dust explosion proof type	
执行标准 Executive standard	GB/T 3836.1, GB/T 3836.2, GB/T 3836.31 EN 60079-0, EN 60079-1, EN 60079-31, IEC 60079-0, IEC 60079-1, IEC 60079-31
壳体材质 Shell material	无铜铝, 表面喷塑 Copper-free aluminum, plastic sprayed surface
玻璃罩 Glass cover	钢化玻璃, 抗4J冲击 Tempered glass, resistant to 4J impact
LED驱动电源 Drive power	宽电压输入, 恒流恒压输出, 功率因数≥0.98, 具有分流、恒流、防浪涌、过电流、开路、短路、抗电磁干扰等保护功能。Wide voltage input, constant current and constant voltage output, power factor ≥0.98, with protection functions such as shunting, constant current, anti-surge, overcurrent, open circuit, short circuit, and anti-electromagnetic interference.
外露紧固件 Exposed fasteners	不锈钢 Stainless steel
光源规格 Light source specifications	国际品牌LED模块 International brand LED module
光源功率 Light source power(W)	9W
色温 Color temperature(CCT)	冷白光 Cold white light: 5400~6500K 注: 常规产品光源为冷白光, 如需暖白(2700~3500K)或自然白(4700~5400K)可定制, 下单时注明。 Note: The light source of conventional products is cold white light. If you need warm white (2700~3500K) or natural white (4700~5400K), it can be customized. Please specify when ordering.
额定电压 Rated voltage	187~265V AC 50/60Hz/24V AC; 24V DC/12V AC/DC
接地保护 Ground protection	M5(灯具壳内外均配置接地螺钉 Grounding screws are equipped inside and outside the lamp housing)
防护等级 Protection level	IP65、IP66
周围环境温度 Ambient temperature	-40°C~+55°C
接线端子 Terminal block	3 x 1.5~4mm ² (L+N+PE)
电缆引入口 Cable entry	M20 x 1.5
电缆引入装置 Cable entry device	出厂时配置密封垫和压紧装置 It is equipped with sealing gasket and pressing device when leaving the factory
适用电缆外径 Applicable cable outer diameter	Φ6~Φ8(mm)

G 外形示意图 (所有尺寸单位为mm) - 可修改 Outline diagram (all dimensions in mm) - can be modified



CN192-I 系列防爆航空障碍灯
CN192-I Series Explosion proof aviation obstruction lamp

CN192-I
系列防爆航空障碍灯
CN192-I
Series Explosion proof aviation
obstruction lamp

IIC/Ex tb



G 产品概述 Product overview

- ◆ 防爆性能符合
 - CENELEC标准
 - IEC标准
 - NEC标准
- ◆ 适用于 1区和2区 21区和22区 II类, 1区和2区 II类, 2区, 气体组别 A, B, C, D
- ◆ 采用超亮度LED光源, 高效节能, 使用寿命长达5万个小时。集成芯片控制, 并设有多种保护电路。
- ◆ 可通过同步信号线连接实现多台灯具的同步闪烁。
- ◆ 无铜铝外壳, 表面喷塑。
- ◆ Explosion-proof performance conforms to
 - CENELEC standard
 - IEC standard
 - NEC standard
- ◆ Applicable to zone 1 and zone 2 zone 21 and zone 22 class II, zone 1 and zone 2 class II, zone 2, gas group A, B, C, D
- ◆ Using ultra-bright LED light source, high efficiency and energy saving, with a service life of up to 50,000 hours. Integrated chip control, and has a variety of protect the circuit.
- ◆ Synchronous flashing of multiple lamps can be realized through the synchronization signal line connection.
- ◆ Copper-free aluminum shell, plastic sprayed surface.

1区&2区; 21区&22区
zone1, zone2, zone21, zone22

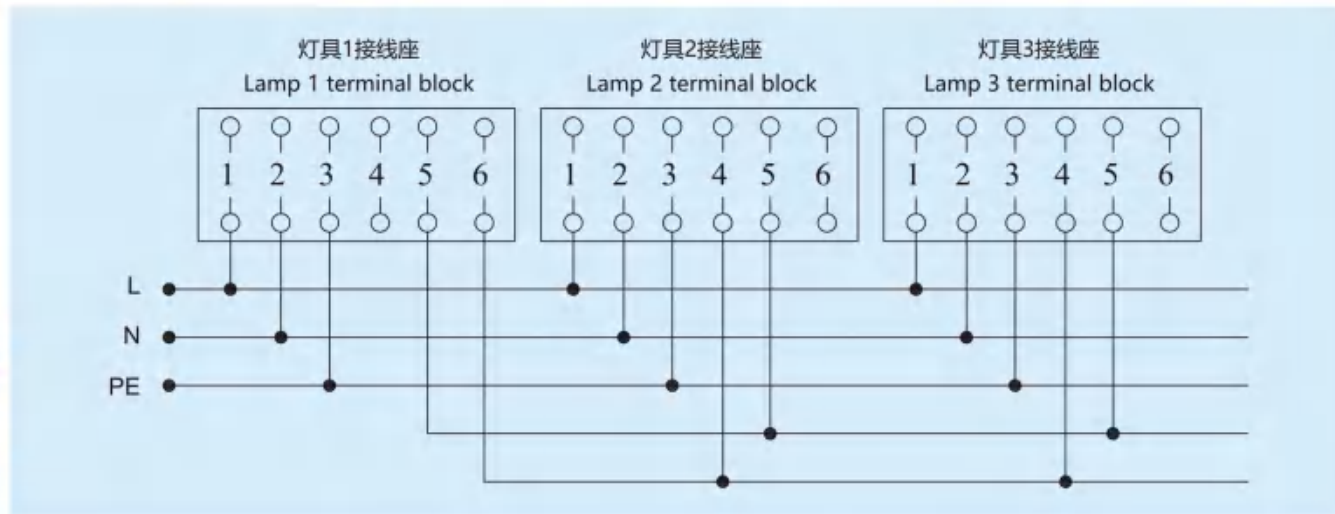


G 型号含义 Model meaning

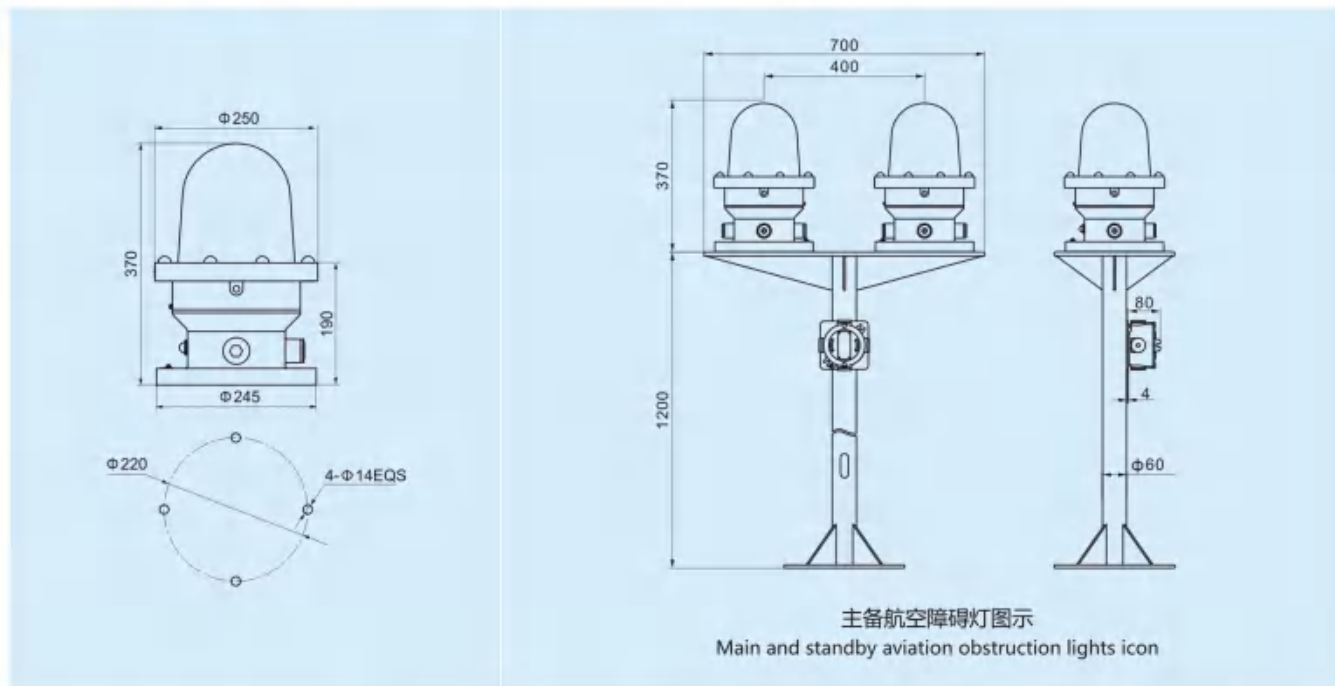
CN192-I - E □
□ □ □

- 防爆航空障碍灯 Explosion proof aviation obstruction lamp
- 光源: 低光强LED Light source: low-intensity
- T: 无线同步 (不装不注) Wireless synchronization (no installation and no note)

G 有线同步线连接示意图 Wired synchronization line connection diagram



G 外形示意图 (所有尺寸单位为mm) - 可修改 Outline diagram (all dimensions in mm) - can be modified



注: 该灯由两套完全独立的光电控制系统分别对主、备灯进行控制, 通常主灯夜间闪亮, 白天自动关闭。当主灯损坏后, 备灯自动启动替代主灯工作。
Note: The light is controlled by two sets of completely independent photoelectric control systems respectively, to control the main and standby lights. Usually, the main light flashes at night and turns off automatically during the day. When the main lamp is damaged, the backup lamp will automatically start to replace the main lamp.

CN192-I 系列防爆航空障碍灯
CN192-I Series Explosion proof aviation obstruction lamp

G 技术参数 Technical parameter

防爆航空障碍灯 Explosion proof aviation obstruction lamp	CN192-I-E□
防爆型式 Explosion proof type	Ex II2G Ex db IIC T6 Gb
气体防爆型式 Gas explosion proof type	Ex II2D Ex tb IIIC T80°C Db
粉尘防爆型式 Dust explosion proof type	
执行标准 Executive standard	GB/T 3836.1, GB/T 3836.2, GB/T 3836.31 EN 60079-0, EN 60079-1, EN 60079-7, EN 60079-31 IEC 60079-0, IEC 60079-1, IEC 60079-7, IEC 60079-31
壳体材质 Shell material	无铜铝, 表面喷塑 Copper-free aluminum, plastic sprayed surface
玻璃罩 Glass cover	钢化玻璃, 抗4J冲击 Tempered glass, resistant to 4J impact
外露紧固件 Exposed fasteners	不锈钢 Stainless steel
额定电压 Rated voltage	100V, 110V, 120V, 127V, 220V, 230V, 240V AC 50/60Hz
光源规格 Light source specifications	LED
光源功率 Light source power(W)	≤10W (持续工作 Continuous work)
灯泡颜色 Bulb color	红色 Red
峰值光强 Peak light intensity	> 200cd
闪光频率 Flash frequency	16, 20, 30, 40, 60, 80, 120, 240 (次/分times/min)
接地保护 Ground protection	M5(灯具壳内外均配置接地螺钉) Grounding screws are equipped inside and outside the lamp housing)
防护等级 Protection level	IP65、IP66
周围环境温度 Ambient temperature	-20°C~+55°C
接线端子 Terminal block	3 x 1.5~2.5mm ² (L+N+PE)
电缆引入口 Cable entry	4 x M25 x 1.5 堵头 Plugging
电缆引入装置(可选) Cable entry device(optional)	推荐使用 Recommend to use CN970-I (Ex eb)



CN192-II

系列防爆航空障碍灯

CN192-II

Series Explosion proof aviation obstruction lamp

IIC/Ex tb



C 产品概述 Product overview

- ◆ 防爆性能符合
 - CENELEC标准
 - IEC标准
 - NEC标准
- ◆ 适用于 1区和2区 21区和22区 II类, 1区和2区 II类, 2区, 气体组别 A, B, C, D.
- ◆ 采用超亮度LED光源, 高效节能, 使用寿命长达3万个小时。集成芯片控制, 并设有多种保护电路。
- ◆ 可通过同步信号线连接实现多台灯具的同步闪烁。
- ◆ 无铜铝外壳, 表面喷塑。
- ◆ Explosion-proof performance conforms to
 - CENELEC standard
 - IEC standard
 - NEC standard
- ◆ Suitable for zone 1 and zone 2 zone 21 and zone 22 class II, zone 1 and zone 2 class II, zone 2, gas group A, B, C, D.
- ◆ Using ultra-bright LED light source, high efficiency and energy saving, the service life is as long as 30,000 hours. integrated chip control, and equipped with a variety of protection circuits.
- ◆ Synchronous flashing of multiple lamps can be realized through the synchronization signal line connection.
- ◆ Copper-free aluminum shell, plastic sprayed surface.

1区& 2区; 21区& 22区

zone1, zone2, zone21, zone22

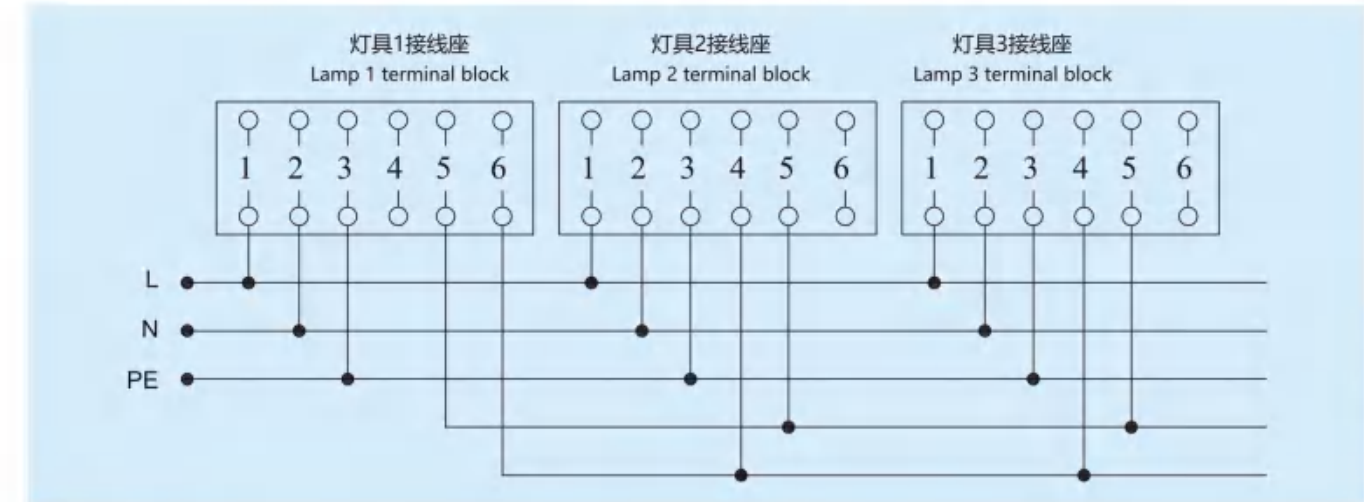
CN192-II 系列防爆航空障碍灯
CN192-II Series Explosion proof aviation obstruction lamp

C 型号含义 Model meaning

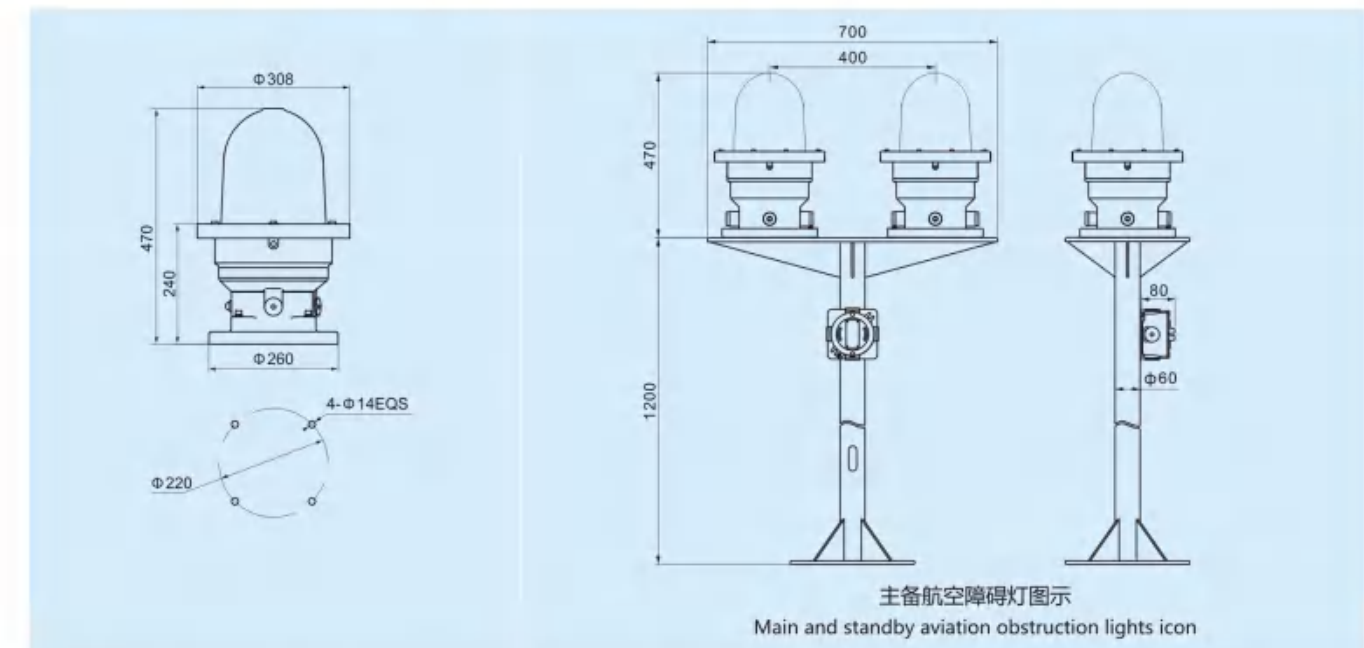
CN192-II -C □
□ □ □

- 防爆航空障碍灯 Explosion proof aviation obstruction lamp
- 光源: 中光强LED Light source: medium intensity
- T: 无线同步(不装不注) Wireless synchronization (no insallation and no note)

C 有线同步线连接示意图 Wired synchronization line connection diagram



C 外形示意图 (所有尺寸单位为mm) - 可修改 Outline diagram (all dimensions in mm)-can be modified



注: 该灯由两套完全独立的光电控制系统分别对主、备灯进行控制, 通常主灯夜间闪亮, 白天自动关闭。当主灯损坏后, 备灯自动启动替代主灯工作。

Note: The light is controlled by two sets of completely independent photoelectric control systems respectively, to control the main and standby lights. Usually, the main light flashes at night and turns off automatically during the day. When the main lamp is damaged, the backup lamp will automatically start to replace the main lamp.



G 技术参数 Technical parameter

防爆航空障碍灯 Explosion proof aviation obstruction lamp	CN192-II-C□
防爆型式 Explosion proof type 气体防爆型式 Gas explosion proof type 粉尘防爆型式 Dust explosion proof type	II2G Ex db IIC T6 Gb II2D Ex tb IIIC T80°C Db
执行标准 Executive standard	GB/T 3836.1, GB/T 3836.2, GB/T 3836.31 EN 60079-0, EN 60079-1, EN 60079-7, EN 60079-31 IEC 60079-0, IEC 60079-1, IEC 60079-7, IEC 60079-31
壳体材质 Shell material	无铜铝, 表面喷塑 Copper-free aluminum, plastic sprayed surface
玻璃罩 Glass cover	钢化玻璃, 抗4J冲击 Tempered glass, resistant to 4J impact
外露紧固件 Exposed fasteners	不锈钢 Stainless steel
额定电压 Rated voltage	100V, 110V, 120V, 127V, 220V, 230V, 240V AC 50/60Hz
光源规格 Light source specifications	LED
光源功率 Light source power(W)	40W (持续工作 Continuous work)
灯泡颜色 Bulb color	红色 Red
峰值光强 Peak light intensity	> 2000cd
闪光频率 Flash frequency	16, 20, 30, 40, 60, 80, 120, 240 (次/分times/min)
接地保护 Ground protection	M5(灯具壳内外均配置接地螺钉Grounding screws are equipped inside and outside the lamp housing)
防护等级 Protection level	IP65、IP66
周围环境温度 Ambient temperature	-40°C~+55°C
接线端子 Terminal block	3 x 1.5~2.5mm ² (L+N+PE)
电缆引入口 Cable entry	4 x M25 x 1.5 堵头 Plugging
电缆引入装置(可选) Cable entry device(optional)	推荐使用 Recommend to use CN970-I (Ex eb)

CN193-I 系列防爆声光报警器
CN193-I Series Explosion proof sound and light alarm

CN193-I
系列防爆声光报警器
CN193-I
Series Explosion proof sound
and light alarm

IIC/Ex tb



G 产品概述 Product overview

- ◆ 防爆性能符合
 - CENELEC标准
 - IEC标准
 - NEC标准
- ◆ 适用于 1区和2区 21区和22区 II类, 1区和2区 II类, 1区, 气体组别 A, B, C, D.
- ◆ 采用超亮度LED光源, 高效节能。
- ◆ 有四种灯光颜色: 红色、蓝色、黄色、绿色。
- ◆ 无铜铝外壳, 表面喷塑。
- ◆ Explosion-proof performance conforms to
 - CENELEC standard
 - IEC standard
 - NEC standard
- ◆ Suitable for zone 1 and zone 2 zone 21 and zone 22 class II, zone 1 and zone 2 class II, zone 1, gas group A, B, C, D.
- ◆ Using ultra-bright LED light source, high efficiency.
- ◆ There are four light colors: Red, Blue, Yellow, Green.
- ◆ Copper-free aluminum shell, plastic sprayed surface.

1区& 2区; 21区& 22区
zone1, zone2, zone21, zone22



G 型号含义 Model meaning

CN193-I - □
□ □ □

- 防爆声光报警器 Explosion proof sound and light alarm
- 灯光颜色 Light color
 - R: 红色 Red
 - B: 蓝色 Blue
 - Y: 黄色 Yellow
 - G: 绿色 Gree

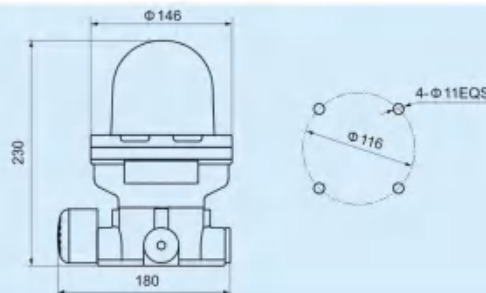
G 选配表 Selection table

型号/订货代号 Model/Order code
CN193-I-R
CN193-I-B
CN193-I-Y
CN193-I-G

G 技术参数 Technical parameter

防爆声光报警器 Explosion proof sound and light alarm	CN193-I-□
防爆型式 Explosion proof type	Ex II2G Ex db IIC T6 Gb
气体防爆型式 Gas explosion proof type	Ex II2D Ex tb IIIC T80°C Db
粉尘防爆型式 Dust explosion proof type	
执行标准 Executive standard	GB/T 3836.1, GB/T 3836.2, GB/T 3836.31; EN 60079-0, EN 60079-1, EN 60079-11, EN 60079-31, IEC 60079-0, IEC 60079-1, IEC 60079-11, IEC 60079-31
壳体材质 Shell material	无铜铝, 表面喷塑 Copper-free aluminum, plastic sprayed surface
玻璃罩 Glass cover	钢化玻璃, 抗4J冲击 Tempered glass, resistant to 4J impact
外露紧固件 Exposed fasteners	不锈钢 Stainless steel
额定电压 Rated voltage	220~240V AC 50/60Hz; 24V DC/AC
光源规格 Light source specifications	LED
光源功率 Light source power(W)	5W
灯光颜色 Light color	红色、蓝色、黄色、绿色 Red, Blue, Yellow, Green
闪光频率 Flash frequency	150 (次/分) times/min
声音强度 Sound intensity	100~120dB (R=1m)
接地保护 Ground protection	M5(灯具壳内外均配置接地螺钉) Grounding screws are equipped inside and outside the lamp housing)
防护等级 Protection level	IP65、IP66
周围环境温度 Ambient temperature	-40°C~+55°C
接线端子 Terminals	3 x 1.5~2.5mm ² (L+N+PE)
电缆引入口 Cable entry	3 x M25 x 1.5 堵头 Plugging
电缆引入装置(可选) Cable entry device(optional)	推荐使用 Recommend to use CN970-II (Ex db)或or CN970-III (Ex db)。

G 外形示意图 (所有尺寸单位为mm) - 可修改 Outline diagram (all dimensions in mm)-can be modified



CN193-II
系列防爆警示灯
CN193-II
Series of Explosion-proof
warning lights

IIC/Ex tb



G 产品概述 Product overview

- ◆ 防爆性能符合
 - CENELEC标准
 - IEC标准
 - NEC标准
- ◆ 适用于 1区和2区 21区和22区 II类, 1区和2区 II类, 1区, 气体组别 A, B, C, D.
- ◆ 采用超亮度LED光源, 高效节能。
- ◆ 有四种灯光颜色: 红色、蓝色、黄色、绿色。
- ◆ 无铜铝外壳, 表面喷塑。
- ◆ Explosion-proof performance conforms to
 - CENELEC standard
 - IEC standard
 - NEC standard
- ◆ Suitable for zone 1 and zone 2 zone 21 and zone 22 class II, zone 1 and zone 2 class II, zone 1, gas group A, B, C, D.
- ◆ Using ultra-bright LED light source, high efficiency.
- ◆ There are four light colors: Red, Blue, Yellow, Green.
- ◆ Copper-free aluminum shell, plastic sprayed surface.

1区& 2区; 21区& 22区
zone1, zone2, zone21, zone22

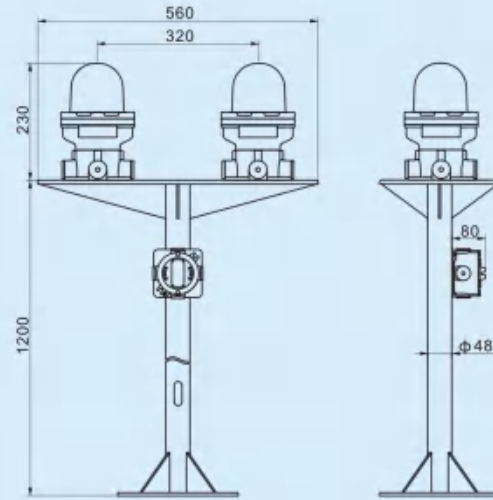
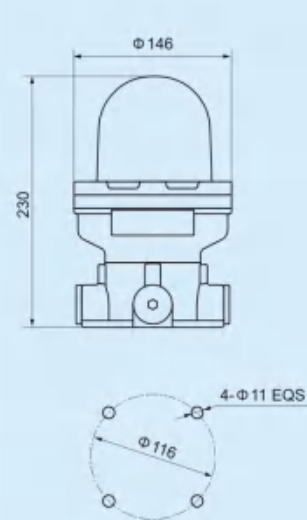


G 型号含义 Model meaning

CN193-II-□
□ □

- 防爆警示灯 Explosion-proof warning lights
- 灯光颜色 Light color
 - R: 红色 Red
 - B: 蓝色 Blue
 - Y: 黄色 Yellow
 - G: 绿色 Green

G 外形示意图 (所有尺寸单位为mm) - 可修改 Outline diagram (all dimensions in mm)-can be modified



主备警示灯图示
Main and standby warning lights icon

注: 该灯由两套完全独立的光源线路板分别对主、备灯进行控制, 通常主灯闪亮, 当主灯损坏后, 备灯自动启动替代主灯工作。
Note: This light is controlled by two sets of completely independent light source circuit boards to control the primary and standby lights. Usually the main light is flashing. When the main light is damaged, the standby light will automatically start to replace the main light.

CN193-II 系列防爆警示灯
CN193-II Series of Explosion-proof warning lights

G 技术参数 Technical parameter

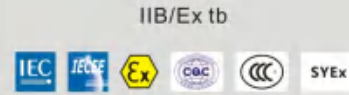
防爆警示灯 Explosion-proof warning lights	CN193-II-□
防爆型式 Explosion proof type 气体防爆型式 Gas explosion proof type 粉尘防爆型式 Dust explosion proof type	Ex II2G Ex db IIC T6 Gb Ex II2D Ex tb IIIC T80°C Db
执行标准 Executive standard	GB/T 3836.1, GB/T 3836.2, GB/T 3836.31 EN 60079-0, EN 60079-1, EN 60079-31 IEC 60079-0, IEC 60079-1, IEC 60079-31
壳体材质 Shell material	无铜铝, 表面喷塑 Copper-free aluminum, plastic sprayed surface
玻璃罩 Glass cover	钢化玻璃, 抗4J冲击 Tempered glass, resistant to 4J impact
外露紧固件 Exposed fasteners	不锈钢 Stainless steel
额定电压 Rated voltage	220~240V AC 50/60Hz; 24V DC/AC
光源规格 Light source specifications	LED
光源功率 Light source power(W)	3W
灯光颜色 Light color	红色、蓝色、黄色、绿色 Red, Blue, Yellow, Green
闪光频率 Flash frequency	150 (次/分)times/min
接地保护 Ground protection	M5(灯具壳内外均配置接地螺钉)Grounding screws are equipped inside and outside the lamp housing)
防护等级 Protection level	IP65、IP66
周围环境温度 Ambient temperature	-40°C~+55°C
接线端子 Terminals	3 x 1.5~2.5mm ² (L+N+PE)
电缆引入口 Cable entry	4 x M25 x 1.5 堵头 Plugging
电缆引入装置(可选) Cable entry device (optional)	推荐使用 Recommend to use CN970-II (Ex db)或or CN970-III (Ex db)

G 选配表 Selection table

型号/订货代号 Model/Order code
CN193- II -R
CN193- II -B
CN193- II -Y
CN193- II -G



CN200-B
系列防爆操作柱
(Ex db IIB+H2)
CN200-B
Series Explosion-proof
operating column
(Ex db IIB+H2)



C 产品概述 Product overview

- ◆ 防爆性能符合
 - CENELEC标准
 - IEC标准
 - NEC标准
- ◆ 适用于
 - 1区和2区
 - 21区和22区
 - II类, 1区和2区
 - II类, 1区, 气体组别 C, D
- ◆ 无铜铝外壳, 表面喷塑。
- ◆ 本产品有6种外壳尺寸。
- ◆ Explosion-proof performance conforms to
 - CENELEC standard
 - IEC standard
 - NEC standard
- ◆ Suitable for
 - Zone 1 and Zone 2
 - Zone 21 and 22
 - Class II, Zone 1 and Zone 2
 - Class II, Zone 1, gas group C, D
- ◆ Copper-free aluminum housing with plastic-sprayed surface.
- ◆ This product has 6 shell sizes.

1区& 2区; 21区& 22区

zone1, zone2, zone21, zone22

CN200-B 系列防爆操作柱(Ex db IIB+H2)
CN200-B Series Explosion-proof operating column(Ex db IIB+H2)

C 型号含义 Model meaning

CN200-B - A □ B □ D □ K □	
①	② ③ ④ ⑤ ⑥ ⑦ ⑧ ⑨
①	防爆操作柱 Explosion-proof operating column
②	按钮(不装不注) Button (not installed or not)
③	按钮数量 Number of buttons
④	电流表/电压表 (不装不注) Ammeter/Voltmeter (no insallation and no note)
⑤	电流表/电压表数量 Number of ammeter/Voltmeter
⑥	指示灯(不装不注) Indicator light (no insallation and no note)
⑦	指示灯数量 Number of indicator lights
⑧	控制开关(不装不注) Control switch (no insallation and no note)
⑨	控制开关数量 Number of control switches

C 操作柱(Ex d IIB)选配表 Operation column (Ex d IIB) optional table

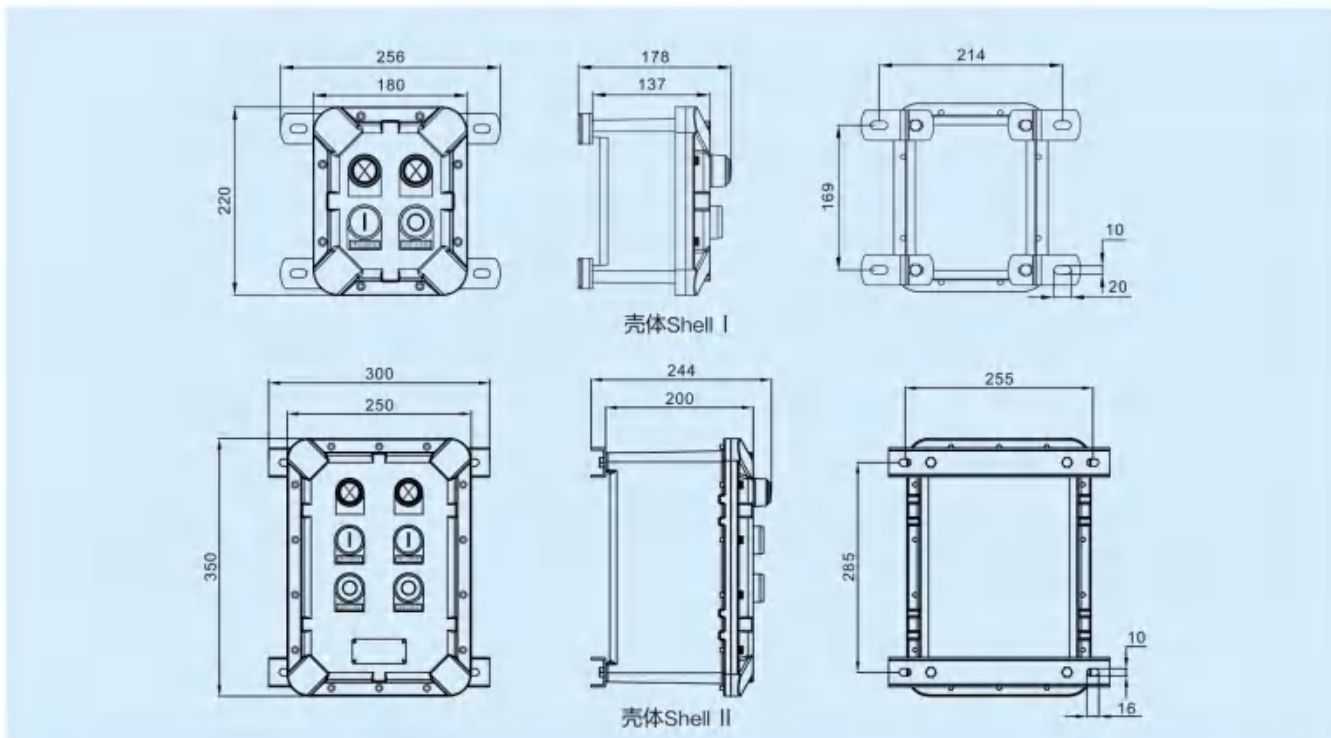
壳体型号 Shell model	元件布局 Component layout	电缆入口及方向 Cable entry and direction
I		2-M25 x 1.5 下进线 Down line
II		1-M32 x 1.5 或or 2-M25 x 1.5 下进线 Down line
III		1-M32 x 1.5 或or 3-M25 x 1.5 下进线 Down line
IV		1-M40 x 1.5 或or 2-M32 x 1.5 或or 4-M25 x 1.5 下进线 Down line
V		1-M40 x 1.5 或or 4-M32 x 1.5 或or 6-M25 x 1.5 下进线 Down line
VI		1-M40 x 1.5 或or 4-M32 x 1.5 或or 6-M25 x 1.5 下进线 Down line



G 技术参数 Technical parameter

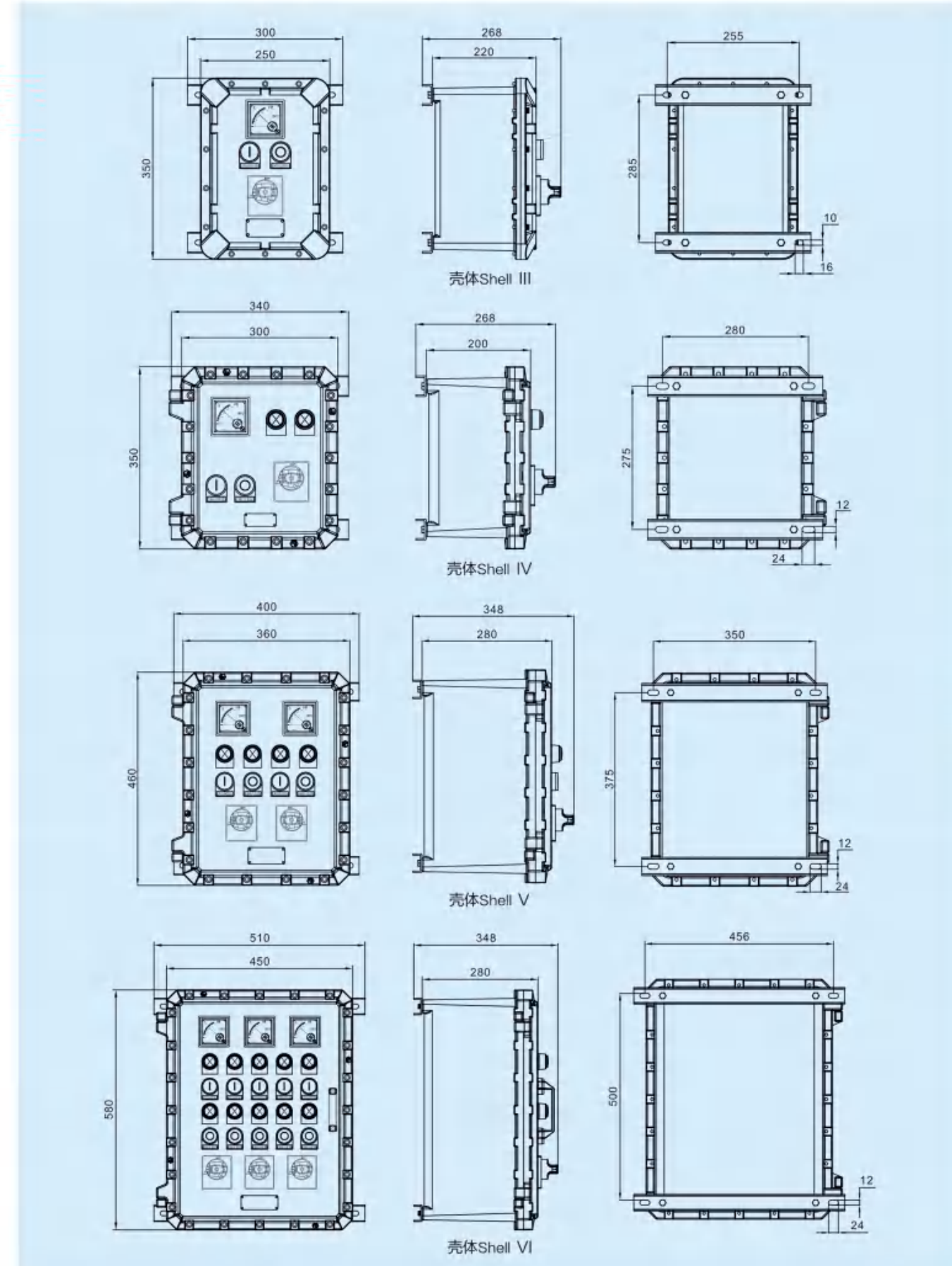
防爆操作柱 Explosion-proof operating column	CN200-B (Ex db IIB+H2)
防爆型式 Explosion proof type	II2G Ex db IIB T6/T4 Gb
气体防爆型式 Gas explosion proof type	II2D Ex tb IIIC T80°C/T130°C Db
粉尘防爆型式 Dust explosion proof type	
执行标准 Executive standard	GB/T 3836.1, GB/T 3836.2, GB/T 3836.3, GB/T 3836.31 EN 60079-0, EN 60079-1, EN 60079-31, IEC 60079-0, IEC 60079-1, IEC 60079-31
壳体材质 Shell material	无铜铝, 表面喷塑 Copper-free aluminum, plastic sprayed on the surface
壳体颜色 Shell color	窗灰色 Window gray
外露紧固件 Exposed fasteners	不锈钢 Stainless steel
额定电压 Rated voltage	Max. 415V AC
额定电流 Rated current	10A
防护等级 Protection level	IP65、IP66
内外接地 Grounding inside and outside	I, II, III : M6/M6; IV, V, VI : M6/M8;
周围环境温度 Ambient temperature	-60°C~+55°C
内装元件 Built-in components	1. 按钮技术参数; 1. Button technical parameters; 2. 指示灯技术参数; 2. Indicator technical parameters; 3. 控制开关技术参数; 3. Control switch technical parameters; 4. 防爆电流表/电压表技术参数。 4. Technical parameters of explosion-proof ammeter/voltmeter.
电缆引入入口 Cable entry	标准 Standard M□ x 1.5 堵头Plugging
电缆引入装置(可选) Cable entry device(optional)	推荐使用 Recommend to use CN970-II (Ex db)或or CN970-III (Ex db),
安装方式 Installation method	壁挂式 Wall-mounted

G 外形示意图 (所有尺寸单位为mm) - 可修改 Outline diagram (all dimensions in mm)- can be modified



CN200-B 系列防爆操作柱(Ex db IIB+H2)
CN200-B Series Explosion-proof operating column(Ex db IIB+H2)

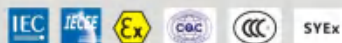
G 外形示意图 (所有尺寸单位为mm) - 可修改 Outline diagram (all dimensions in mm)- can be modified





CN200-S
系列防爆操作柱(GRP)
工程塑料
CN200-S
Series Explosion-proof
operating column
(GRP)engineering plastic

IIC/Ex tb



C 产品概述 Product overview

- ◆ 防爆性能符合
 - CENELEC标准
 - IEC标准
 - NEC标准
- ◆ 适用于
 - 1区和2区
 - 21区和22区
 - II类, 1区和2区
 - II类, 2区, 气体组别 A, B, C, D
- ◆ 壳体材质GRP(工程塑料)
- ◆ 本产品有4种壳体类型供选择。
- ◆ Explosion-proof performance conforms to
 - CENELEC standard
 - IEC standard
 - NEC standard
- ◆ Suitable for
 - Zone 1 and Zone 2
 - Zone 21 and 22
 - Class II, Zone 1 and Zone 2
 - Class II, Zone 2, gas group A, B, C, D
- ◆ The shell material is GRP(engineering plastic)
- ◆ This product has 4 shell types for selection.

1区& 2区; 21区& 22区

zone1, zone2, zone21, zone22



G 型号含义 Model meaning

CN200-S - A □ B □ D □ K □ □
□ □ □ □ □ □ □ □ □ □

- 防爆操作柱 Explosion-proof operating column
- 控制按钮(不装不注) Control button (no insallation and no note)
- 控制按钮数量 Number of control buttons
- 电流表/电压表(不装不注) Ammeter/Voltmeter (no insallation and no note)
- 电流表/电压表数量 Number of ammeter/Voltmeter
- 指示灯(不装不注) Indicator light (no insallation and no note)
- 指示灯数量 Number of indicator lights
- 控制开关(不装不注) Control switch (no insallation and no note)
- 控制开关数量 Number of control switches
- 安装形式 Installation form
 - G: 壁挂式 Wall-mounted
 - L: 立杆式 Vertical pole

G 操作柱 CN200-S (GRP) 选配表 Operation column CN200-S (GRP) option table

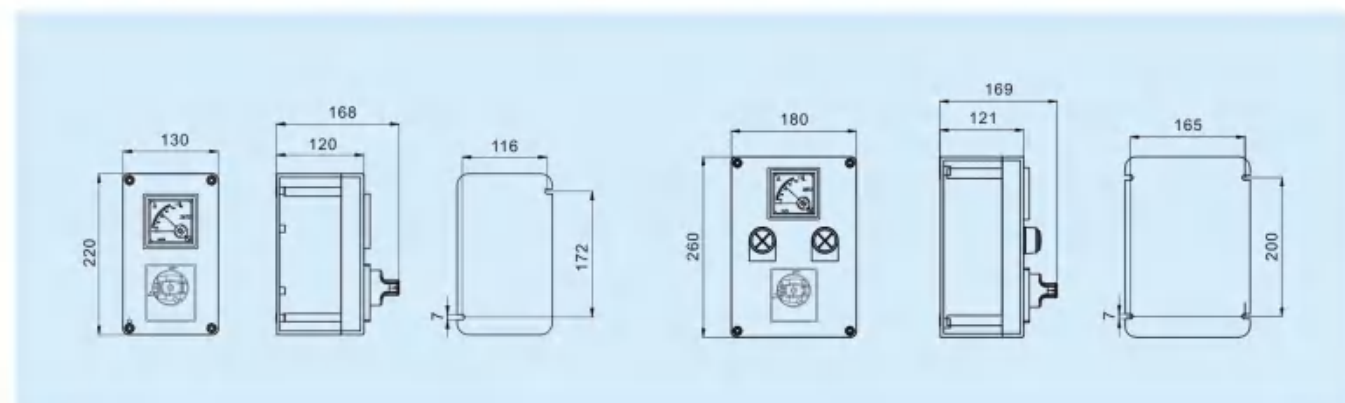
壳体型号 Shell model	元件布局 Component layout	电缆入口及方向 Cable entry and direction
I		2-M25 x 1.5 下进线 Down line
II		1-M32 x 1.5 或 2-M25 x 1.5 下进线 Down line
III		1-M32 x 1.5 或 3-M25 x 1.5 下进线 Down line
IV		1-M40 x 1.5 或 2-M32 x 1.5 或 4-M25 x 1.5 下进线 Down line
V		1-M40 x 1.5 或 2-M32 x 1.5 或 6-M25 x 1.5 下进线 Down line



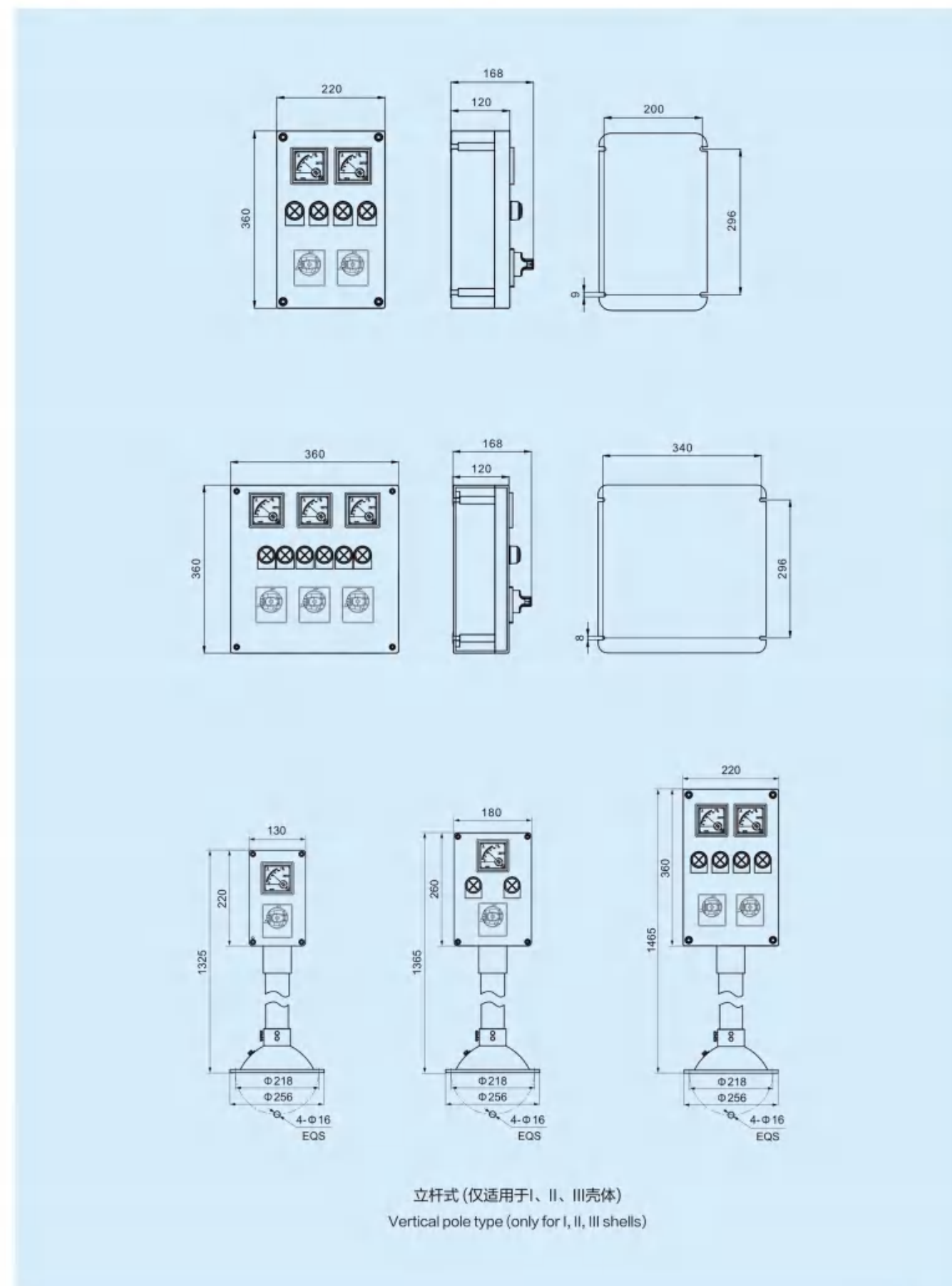
G 技术参数 Technical parameter

防爆操作柱 Explosion-proof operating column	CN200-S (GRP)工程塑料 Engineering plastic
防爆型式 Explosion proof type 气体防爆型式 Gas explosion proof type 粉尘防爆型式 Dust explosion proof type	II2G Ex db eb IIC T6/T4 Gb II2D Ex tb IIC T80°C/T130°C Db
执行标准 Executive standard	GB/T 3836.1, GB/T 3836.2, GB/T 3836.3, GB/T 3836.31; EN 60079-0, EN 60079-1, EN 60079-7, EN 60079-31, IEC 60079-0, IEC 60079-1, IEC 60079-7, IEC 60079-31
壳体材质 Shell material	GRP(工程塑料 Engineering plastic)
壳体颜色 Shell color	黑色 Black
外露紧固件 Exposed fasteners	不锈钢 Stainless steel
额定电压 Rated voltage	Max. 415V AC
额定电流 Rated current	总回路电流 Total loop current: 6A 16A 10A (其它other)
防护等级 Protection level	IP65、IP66
周围环境温度 Ambient temperature	-20°C~+55°C
内装元件 Built-in components	1. 控制按钮组件技术参数; 1. Technical parameters of control button components; 2. 指示灯组件技术参数; 2. The technical parameters of the indicator light assembly; 3. 控制开关组件技术参数; 3. Technical parameters of control switch components; 4. 防爆电流表/电压表技术参数。4. Technical parameters of explosion-proof ammeter/voltmeter.
电缆引入入口 Cable entry	M□ x 1.5 堵头 Plugging
电缆引入装置(可选) Cable entry device (optional)	推荐使用 Recommend to use CN970-I (Ex eb)
安装方式 Installation method	壁挂式 Wall-mounted 立杆式 (仅适用于I、II、III壳体) Vertical pole type (only for I, II, III shells)
备注 Remark	1. 订货时请注明电缆引入入口的数量和尺寸(仅适用于壁挂式) 1. Please specify the number and size of the cable inlet when ordering(only applicable to wall-mounted type) 2. 立杆式安装仅适用于G1"电缆引入入口 2. Pole installation is only applicable to G1" cable entry

G 外形示意图 (所有尺寸单位为mm) - 可修改 Outline diagram (all dimensions in mm)-can be modified



G 外形示意图 (所有尺寸单位为mm) - 可修改 Outline diagram (all dimensions in mm)-can be modified





CN200-L
系列防爆操作柱
(铝合金)
CN200-L
Series Explosion-proof
operating column
(aluminum alloy)

IIC/Ex tb



C 产品概述 Product overview

- ◆ 防爆性能符合
 - CENELEC标准
 - IEC标准
 - NEC标准
- ◆ 适用于
 - 1区和2区
 - 21区和22区
 - II类, 1区和2区
 - II类, 2区, 气体组别 A, B, C, D
- ◆ 无铜铝外壳, 表面喷塑
- ◆ 本产品有7种壳体类型供选择。
- ◆ Explosion-proof performance conforms to
 - CENELEC standard
 - IEC standard
 - NEC standard
- ◆ Suitable for
 - Zone 1 and Zone 2
 - Zone 21 and 22
 - Class II, Zone 1 and Zone 2
 - Class II, Zone 2, gas group A, B, C, D
- ◆ Copper-free aluminum housing, plastic sprayed on the surface
- ◆ There are 7 shell types for this product to choose from.

1区& 2区; 21区& 22区

zone1, zone2, zone21, zone22

C 型号含义 Model meaning

CN200-L - A □ B □ D □ K □ □
□ □ □ □ □ □ □ □ □ □

- 防爆操作柱 Explosion-proof operating column
- 控制按钮(不装不注) Control button (no insallation and no note)
- 控制按钮数量 Number of control buttons
- 电流表/电压表(不装不注) Ammeter/Voltmeter (no insallation and no note)
- 电流表/电压表数量 Number of ammeter/Voltmeter
- 指示灯(不装不注) Indicator light (no insallation and no note)
- 指示灯数量 Number of indicator lights
- 控制开关(不装不注) Control switch (no insallation and no note)
- 控制开关数量 Number of control switches
- 安装形式 Installation form
G: 壁挂式 Wall-mounted
L: 立杆式 Vertical pole

C 操作柱 CN200-S (GRP) 选配表 Operation column CN200-S (GRP) option table

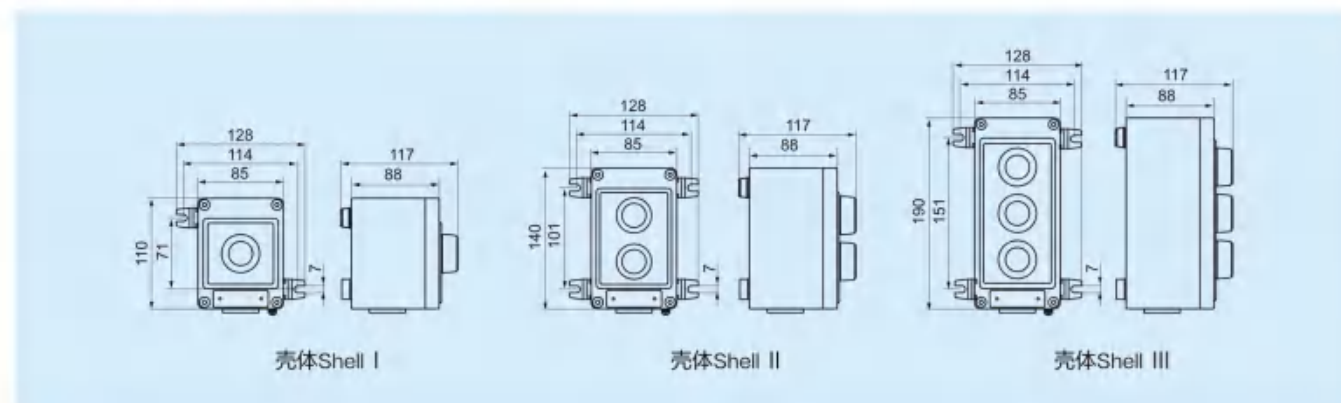
壳体型号 Shell model	元件布局 Component layout	电缆入口及方向 Cable entry and direction
I		1-M25 x 1.5 下进线 Down line
II		1-M25 x 1.5 下进线 Down line
III		1-M25 x 1.5 下进线 Down line
IV		2-M25 x 1.5 下进线 Down line
V		1-M32 x 1.5 或 2-M25 x 1.5 下进线 Down line
VI		1-M40 x 1.5 或 2-M32 x1.5 或 4-M25 x 1.5 下进线 Down line
VII		1-M40 x 1.5 或 2-M32 x1.5 或 6-M25 x 1.5 下进线 Down line



G 技术参数 Technical parameter

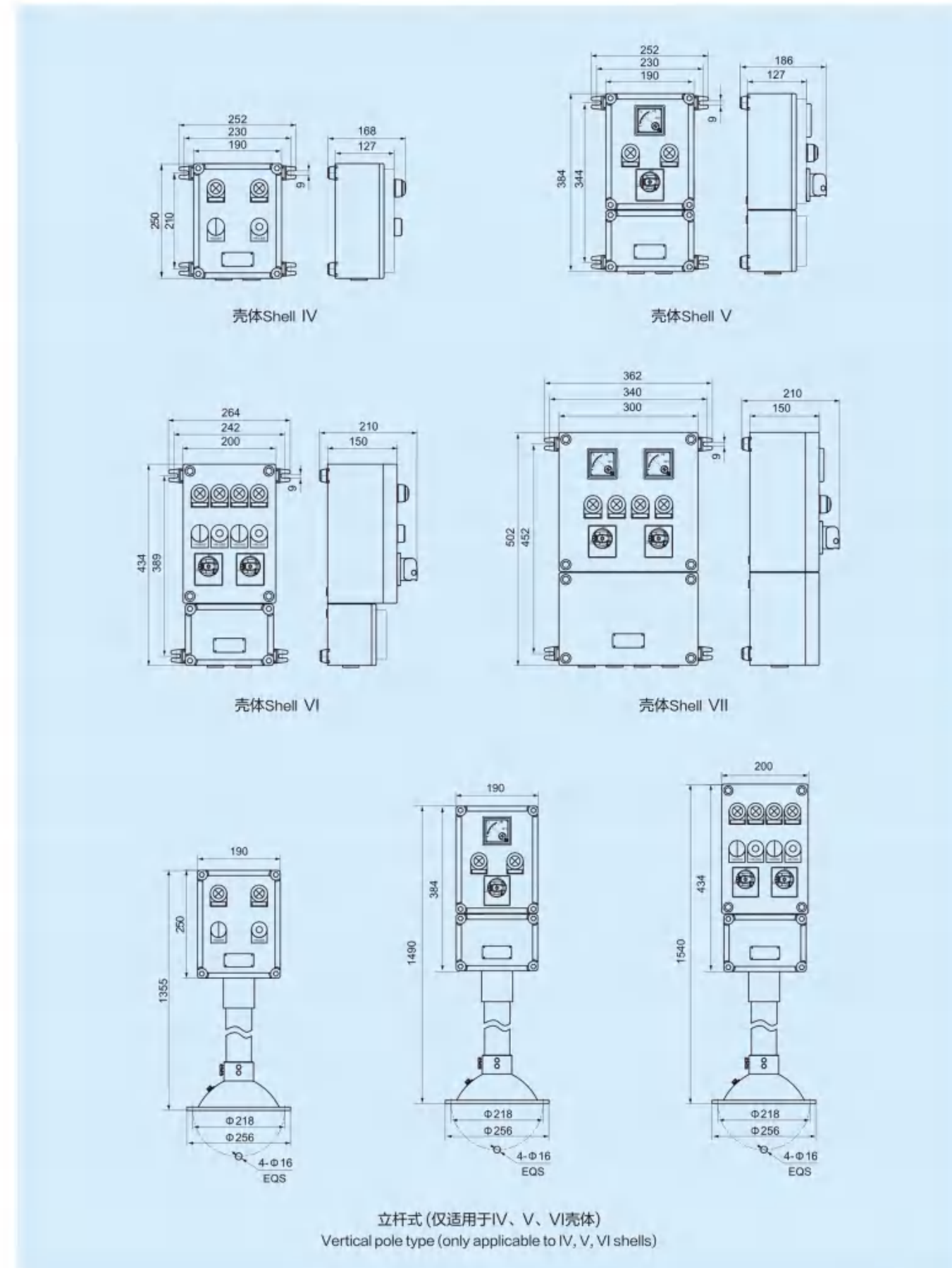
防爆操作柱 Explosion-proof operating column	CN200-L (铝合金 Aluminum alloy)
防爆型式 Explosion proof type	Ex II2G Ex db eb IIC T6/T4 Gb
气体防爆型式 Gas explosion proof type	Ex II2D Ex tb IIIC T80°C/T130°C Db
粉尘防爆型式 Dust explosion proof type	
执行标准 Executive standard	GB/T 3836.1, GB/T 3836.2, GB/T 3836.3, GB/T 3836.31; EN 60079-0, EN 60079-1, EN 60079-7, EN 60079-31, IEC 60079-0, IEC 60079-1, IEC 60079-7, IEC 60079-31
壳体材质 Shell material	无铜铝, 表面喷塑 Copper-free aluminum, plastic sprayed on the surface
壳体颜色 Shell color	窗灰色 Window gray
外露紧固件 Exposed fasteners	不锈钢 Stainless steel
额定电压 Rated voltage	Max. 415V AC
额定电流 Rated current	总回路电流 Total loop current: 6A 16A 10A (其它Other)
防护等级 Protection level	IP65、IP66
周围环境温度 Ambient temperature	-20°C~+55°C
内装元件 Built-in components	1. 控制按钮组件技术参数; 1. Technical parameters of control button components; 2. 指示灯组件技术参数; 2. The technical parameters of the indicator light assembly; 3. 控制开关组件技术参数; 3. Technical parameters of control switch components; 4. 防爆电流表/电压表技术参数。4. Technical parameters of explosion-proof ammeter/voltmeter.
电缆入口 Cable entry	M□ x 1.5 堵头 Plugging
电缆引入装置(可选) Cable entry device(optional)	推荐使用 Recommend to use CN970-I (Ex eb)
安装方式 Installation method	壁挂式 Wall-mounted 立杆式(仅适用于IV、V、VI壳体) Vertical pole type (only applicable to IV, V, VI shells)
备注 Remark	1. 订货时请注明电缆入口的数量和尺寸(仅适用于壁挂式)。 1. Please indicate the number and size of the cable entry port when ordering (only for wall-mounted type). 2. 立杆式安装仅适用于G1"电缆入口。 2. Pole installation is only applicable to G1" cable entry.

G 外形示意图 (所有尺寸单位为mm) - 可修改 Outline diagram (all dimensions in mm) - can be modified



CN200-L 系列防爆操作柱(铝合金)
CN200-L Series Explosion-proof operating column(aluminum alloy)

G 外形示意图 (所有尺寸单位为mm) - 可修改 Outline diagram (all dimensions in mm) - can be modified





CN200-G
系列防爆操作柱
(不锈钢)
CN200-G
Series Explosion-proof
operating column
(stainless steel)

IIC/Ex tb



C 产品概述 Product overview

- ◆ 防爆性能符合
 - CENELEC标准
 - IEC标准
 - NEC标准
- ◆ 适用于
 - 1区和2区
 - 21区和22区
 - II类, 1区和2区
 - II类, 2区, 气体组别 A, B, C, D
- ◆ 壳体材质为不锈钢
- ◆ 本产品有4种壳体类型供选择。
- ◆ Explosion-proof performance conforms to
 - CENELEC standard
 - IEC standard
 - NEC standard
- ◆ Suitable for
 - Zone 1 and Zone 2
 - Zone 21 and 22
 - Class II, Zone 1 and Zone 2
 - Class II, Zone 2, gas group A, B, C, D
- ◆ The shell material is stainless steel
- ◆ This product has 4 shell types for selection.

1区& 2区; 21区& 22区

zone1, zone2, zone21, zone22

CN200-G 系列防爆操作柱(不锈钢)
CN200-G Series Explosion-proof operating column(stainless steel)

C 型号含义 Model meaning

CN200-G - A □ B □ D □ K □ □
□ □ □ □ □ □ □ □ □ □ □ □

- 防爆操作柱 Explosion-proof operating column
 - 控制按钮 (不装不注) Control button (no installation and no note)
 - 控制按钮数量 Number of control buttons
 - 数量表/电压表 (不装不注) Quantity meter/Voltmeter (no installation and no note)
 - 电流表/电压表数量 Number of ammeter/Voltmeter
 - 指示灯 (不装不注) Indicator light (no installation and no note)
 - 指示灯数量 Number of indicator lights
 - 控制开关 (不装不注) Control switch (no installation and no note)
 - 控制开关数量 Number of control switches
 - 安置方式 Placement method
- G: 壁挂式 Wall-mounted
L: 立杆式 Vertical pole

C 操作柱 CN200-G (不锈钢) 选配表 Operation column CN200-G (stainless steel) option table

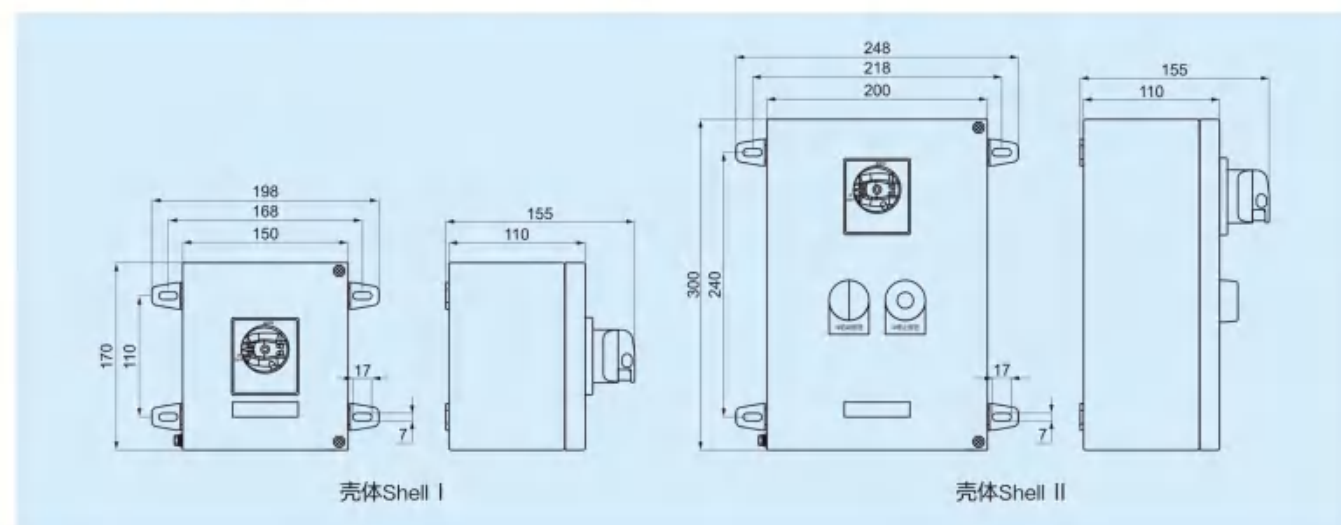
壳体型号 Shell model	元件布局 Component layout	电缆入口及方向 Cable entry and direction
I		2-M25 x 1.5 下进线
II		1-M32 x 1.5or 2-M25 x 1.5 下进线 Down line
III		1-M40 x 1.5or 2-M32 x 1.5or 4-M25 x 1.5 下进线 Down line
IV		1-M40 x 1.5or 2-M32 x 1.5or 6-M25 x 1.5 下进线 Down line
V		1-M50 x 1.5or 2-M40 x 1.5or 6-M32 x 1.5 下进线 Down line
VI		1-M63 x 1.5or 2-M50 x 1.5or 8-M25 x 1.5 下进线 Down line



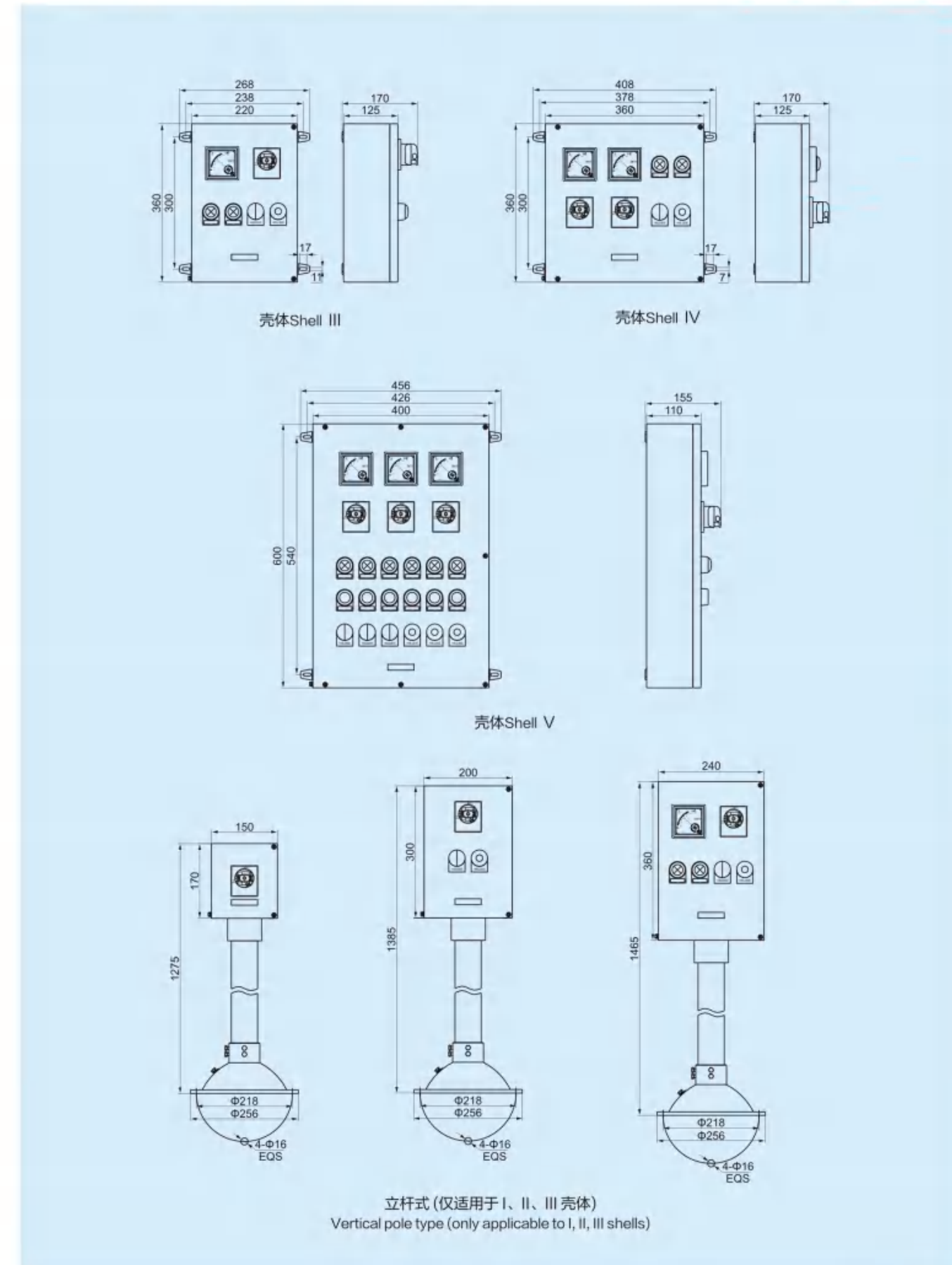
G 技术参数 Technical parameter

防爆操作柱 Explosion-proof operating column	CN200-G (不锈钢 Stainless steel)
防爆型式 Explosion proof type	Ex II2G Ex db eb IIC T6/T4 Gb
气体防爆型式 Gas explosion proof type	Ex II2D Ex tb IIIC T80°C/T130°C Db
粉尘防爆型式 Dust explosion proof type	
执行标准 Executive standard	GB/T 3836.1, GB/T 3836.2, GB/T 3836.3, GB/T 3836.31; EN 60079-0, EN 60079-1, EN 60079-7, EN 60079-31, IEC 60079-0, IEC 60079-1, IEC 60079-7, IEC 60079-31
壳体材质 Shell material	不锈钢 Stainless steel
壳体颜色 Shell color	金属色 Metallic
外露紧固件 Exposed fasteners	不锈钢 Stainless steel
额定电压 Rated voltage	Max. 415V AC
额定电流 Rated current	总回路电流 Total loop current: 6A 16A 10A (其它 Other)
防护等级 Protection level	IP65、IP66
周围环境温度 Ambient temperature	-20°C ~ +55°C
内装元件 Built-in components	1. 控制按钮组件技术参数; 1. Technical parameters of control button components; 2. 指示灯组件技术参数; 2. The technical parameters of the indicator light assembly; 3. 控制开关组件技术参数; 3. Technical parameters of control switch components; 4. 防爆电流表/电压表技术参数; 4. Technical parameters of explosion-proof ammeter/voltmeter.
电缆引入入口 Cable entry	M□ x 1.5 堵头 Plugging
电缆引入装置(可选) Cable entry device(optional)	推荐使用 Recommend to use CN970-I (Ex eb)
安装方式 Installation method	壁挂式 Wall-mounted 立杆式 (仅适用于I、II、III壳体) Vertical pole type (only applicable to I, II, III shells)
备注 Remark	1. 订货时请注明电缆引入入口的数量和尺寸(仅适用于壁挂式)。 1. Please indicate the number and size of the cable entry port when ordering (only for wall-mounted type). 2. 立杆式安装仅适用于G1"电缆引入入口。 2. Pole installation is only applicable to G1" cable entry.

G 外形示意图 (所有尺寸单位为mm) - 可修改 Outline diagram (all dimensions in mm) - can be modified



G 外形示意图 (所有尺寸单位为mm) - 可修改 Outline diagram (all dimensions in mm) - can be modified





CN200-Z
系列防爆主令控制器
Series Explosion-proof
master controller

IIC/Ex tb



G 产品概述 Product overview

- 防爆性能符合
 - CENELEC标准
 - IEC标准
 - NEC标准
- 适用于
 - 1区和2区
 - 21区和22区
 - II类, 1区和2区
 - II类, 1区, 气体组别 A, B, C, D
- 无铜铝外壳, 表面喷塑。
- Explosion-proof performance conforms to
 - CENELEC standard
 - IEC standard
 - NEC standard
- Suitable for
 - Zone 1 and Zone 2
 - Zone 21 and 22
 - Class II, Zone 1 and Zone 2
 - Class II, Zone 1, gas group A, B, C, D
- Copper-free aluminum housing with plastic-sprayed surface.

1区& 2区; 21区& 22区

zone1, zone2, zone21, zone22

CN200-Z 系列防爆主令控制器
CN200-Z Series Explosion-proof master controller

G 型号含义 Model meaning

CN200-Z - A □ B □ D □
□ □ □ □ □ □ □ □

- 防爆主令控制器 Explosion-proof master controller
- 控制按钮(不装不注) Control button (no insallation and no note)
- 控制按钮数量 Number of control buttons
- 电流表/电压表(不装不注) Ammeter/Voltmeter (no insallation and no note)
- 电流表/电压表数量 Number of ammeter/Voltmeter
- 指示灯(不装不注) Indicator light (no insallation and no note)
- 指示灯数量 Number of indicator lights

G 技术参数 Technical parameter


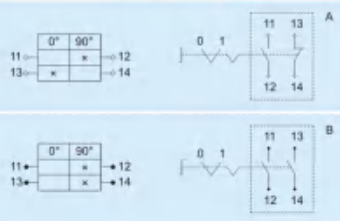

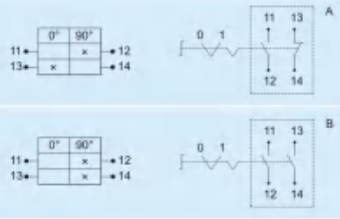
防爆主令控制器 Explosion-proof master controller	CN200-Z		
防爆型式 Explosion proof type	Ex II2G Ex db IIC T6 Gb		
气体防爆型式 Gas explosion proof type	Ex II2D Ex tb IIIC T80°C Db		
粉尘防爆型式 Dust explosion proof type			
执行标准 Executive standard	GB/T 3836.1, GB/T 3836.2, GB/T 3836.3, GB/T 3836.31 EN 60079-0, EN 60079-1, EN 60079-31, IEC 60079-0, IEC 60079-1, IEC60079-31		
壳体材质 Shell material	无铜铝, 表面喷塑 Copper-free aluminum, plastic sprayed on the surface		
壳体颜色 Shell color	窗灰色 Window gray		
外露紧固件 Exposed fasteners	不锈钢 Stainless steel		
额定电压 Rated voltage	Max.500V AC		
额定电流 Rated current	10A		
防护等级 Protection level	IP65、IP66		
周围环境温度 Ambient temperature	-60°C ~+60°C		
内装元件 Built-in components	技术参数 Technical parameter		
按钮 Button	技术参数 Technical parameter		
指示灯 Indicator light	工作方式 Way of working	精确度 Accuracy	过载倍数 Overload multiple
电流表(48型)/电压表(48型) Ammeter (48 type)/Voltmeter (48 type)	电磁式(动铁式) Electromagnetic(moving iron)	1.5级 level	5倍(可提供2倍或3倍过载的电流表) 5times(can provide 2 or 3 times overload ammeter)
	电压表(Voltmeter) 电磁式(动铁式) Electromagnetic(moving iron)	1.5级 level	—
电缆引入口 Cable entry	标准 Standard 2×M25×1.5堵头 Plugging / 特殊 Special 2×G3/4" 堵头或 Plugging or 2×NPT3/4" 堵头 Plugging		
电缆引入装置(可选) Cable entry device (optional)	推荐使用 Recommend to use CN970-II(Ex db)或 CN970M-III(Ex db)		

G 选配表 (指示灯/按钮) Option table (indicator/button)

外形 Appearance	颜色 Colour	触点图 Contact map
指示灯 Indicator light	红色 Red 绿色 Green	
普通式按钮 Normal button	红色 Red 绿色 Green	
急停按钮(旋转复位) Emergency stop button (rotate to reset)	红色 Red	
急停按钮(拉拔复位) Emergency stop button (pull reset)	红色 Red	



G 选配表 (按钮) Matching table (button)

外形 Appearance	触点图 Contact map
钥匙头按钮 Key head button 	
旋转按钮 Spin button 	

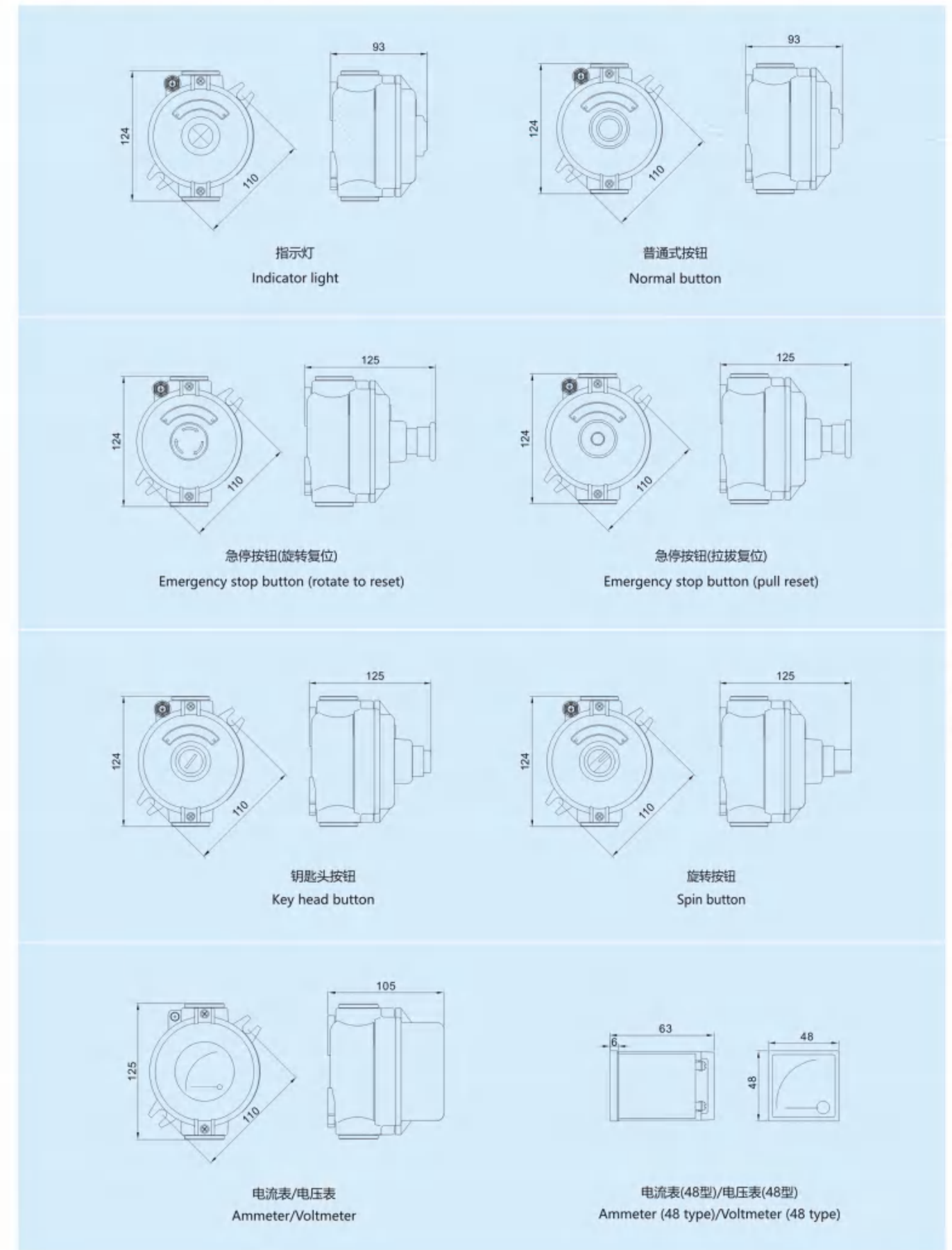
G 选配表 (电流表) Optional table (ammeter)

外形 Appearance	描述 Describe	过载倍数 Overload multiple	测量范围 Measuring range
	直接测量 Direct measurement	2 倍	0~20/40 mA
		2 Times	4~20/40 mA
	直接测量 Direct measurement	2 倍	0~1 A
		2 Times	0~5 A
	配电流互感器 With current transformer	2 倍或 6 倍	sek. 1 A
		2 Times or 6 times	sek. 5 A

G 选配表 (电压表) Optional table (voltmeter)

外形 Appearance	描述 Describe	测量范围 Measuring range
	直接测量 Direct measurement	0~10 V
		0~25 V
		0~40 V
		0~60 V
		0~100 V
		0~150 V
		0~250 V
		0~300 V
		0~450 V
		0~500 V
	配电压互感器 Equipped with voltage transformer	sek. 100 V
		sek. 110 V
		sek. 120 V
		sek. 120 V

G 外形示意图 (所有尺寸单位为mm) - 可修改 Outline diagram (all dimensions in mm) - can be modified





CN200-ZS-I
系列防爆主令控制器

CN200-ZS-I
Series Explosion-proof
master controller

IIC/Ex tb



C 产品概述 Product overview

- ◆ 防爆性能符合
 - CENELEC标准
 - IEC标准
 - NEC标准
- ◆ 适用于
 - 1区和2区
 - 21区和22区
 - II类, 1区和2区
 - II类, 2区, 气体组别 A, B, C, D
- ◆ 壳体材质GRP(工程塑料)
- ◆ 本产品有3种壳体类型供选择.
- ◆ 单个单元可以组装成大型单元.
- ◆ Explosion-proof performance conforms to
 - CENELEC standard
 - IEC standard
 - NEC standard
- ◆ Suitable for
 - Zone 1 and Zone 2
 - Zone 21 and 22
 - Class II, Zone 1 and Zone 2
 - Class II, Zone 2, gas group A, B, C, D
- ◆ The shell material is GRP(engineering plastic)
- ◆ This product has 3 kinds of shell types for selection,
- ◆ A single unit can be assembled into a large unit.

1区& 2区; 21区& 22区

zone1, zone2, zone21, zone22

CN200-ZS-I 系列防爆主令控制器
CN200-ZS-I Series Explosion-proof master controller

C 型号含义 Model meaning

CN200-ZS - A □ D □
□ □ □ □ □ □

- 防爆主令控制器 Explosion-proof master controller
- 控制按钮(不装不注) Control button (no insallation and no note)
- 控制按钮数量 Number of control buttons
- 指示灯(不装不注) Indicator light (no insallation and no note)
- 指示灯数量 Number of indicator lights

C 选配表 Selection table

外形 Appearance	颜色 Colour	触点图 Contact map
普通式按钮 Normal button	红色 Red	
	绿色 Green	
急停按钮 (拉拔复位) Emergency stop button (pull reset)	红色 Red	
旋转按钮 Spin button		 A B
普通式按钮 Normal button	绿色 Green	
	红色 Red	
指示灯及急停按钮 (拉拔复位) Indicator light and emergency stop button(Pull reset)	红色 Red	
	红色 Red	
指示灯及按钮 Indicator lights and buttons	红色 Red	
	红色 Red	



G 选配表 Selection table

外形 Appearance	颜色 Colour	触点图 Contact map
普通式按钮 Normal button 	黄色 Yellow 	
	绿色 Green 	
	红色 Red 	
普通式按钮及指示灯 Ordinary buttons and indicator lights 	红色 Red 	
	绿色 Green 	
	红色 Red 	
普通式按钮及急停按钮 (拉拔复位) Ordinary buttons and emergency button (Pull reset) 	绿色 Green 	
	红色 Red 	
	红色 Red 	
普通式按钮及旋转按钮 Normal buttons and rotary buttons 	绿色 Green 	
	红色 Red 	
	红色 Red 	
按钮、急停按钮(拉拔复位)及指示灯 Button, emergency stop button (pull reset) and indicator light 	红色 Red 	
	红色 Red 	
	红色 Red 	

CNPGEEx 中油防爆
ZHONG YOU EXPLOSION PROOF ELECTRICAL

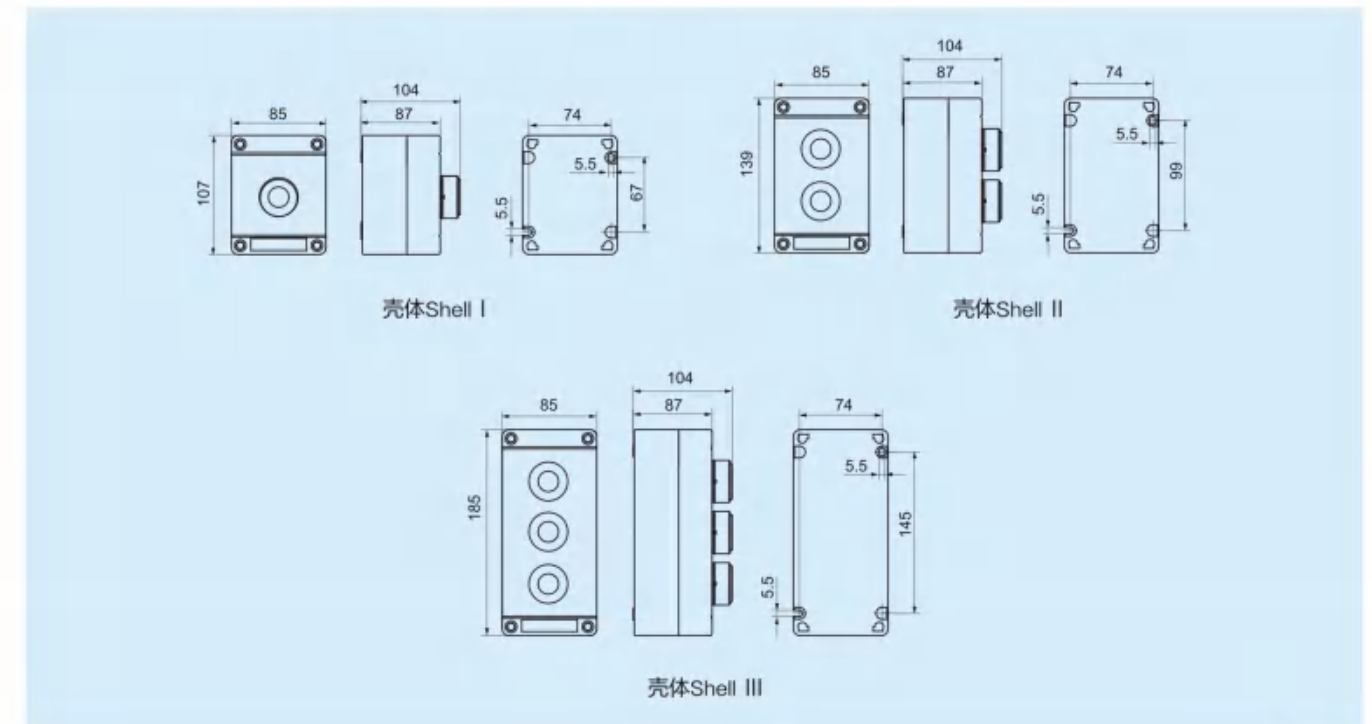
CNPGEEx 中油防爆
ZHONG YOU EXPLOSION PROOF ELECTRICAL



G 技术参数 Technical parameter

防爆主令控制器 Explosion-proof master controller	CN200-ZS-I
防爆型式 Explosion proof type	Ex II2G Ex db eb IIC T6 Gb
气体防爆型式 Gas explosion proof type	Ex II2D Ex tb IIIc T80°C Db
粉尘防爆型式 Dust explosion proof type	
执行标准 Executive standard	GB/T 3836.1, GB/T 3836.2, GB/T 3836.3, GB/T 3836.31; EN 60079-0, EN 60079-1, EN 60079-7, EN 60079-31, IEC 60079-0, IEC 60079-1, IEC 60079-7, IEC 60079-31
壳体材质 Shell material	GRP(工程塑料 Engineering plastic)
壳体颜色 Shell color	黑色 Black
外露紧固件 Exposed fasteners	不锈钢 Stainless steel
额定电压 Rated voltage	415V AC
额定电流 Rated current	10A
防护等级 Protection level	IP65、IP66
周围环境温度 Ambient temperature	-20°C~+55°C
电缆引入口 Cable entry	1 x M25 x 1.5 电缆引入装置 Cable entry device (CN970- I, 塑料Plastic)
电缆外径 Cable outer diameter	Φ9~Φ16 (mm)

G 外形示意图 (所有尺寸单位为mm) - 可修改 Outline diagram (all dimensions in mm) - can be modified





CN200-ZS-II
系列防爆主令控制器
CN200-ZS-II
Series Explosion-proof
master controller

IIC/Ex tb



C 产品概述 Product overview

- ◆ 防爆性能符合
 - CENELEC标准
 - IEC标准
 - NEC标准
- ◆ 适用于
 - 1区和2区
 - 21区和22区
 - II类, 1区和2区
 - II类, 2区, 气体组别 A, B, C, D
- ◆ 壳体材质GRP(工程塑料)
- ◆ 单个单元可以组装成大型单元。
- ◆ Explosion-proof performance conforms to
 - CENELEC standard
 - IEC standard
 - NEC standard
- ◆ Suitable for
 - Zone 1 and Zone 2
 - Zone 21 and 22
 - Class II, Zone 1 and Zone 2
 - Class II, Zone 2, gas group A, B, C, D
- ◆ The shell material is GRP(engineering plastic)
- ◆ A single unit can be assembled into a large unit.

1区& 2区; 21区& 22区

zone1, zone2, zone21, zone22

CN200-ZS-II 系列防爆主令控制器
CN200-ZS-II Series Explosion-proof master controller

C 型号含义 Model meaning

CN200-ZS - A □ D □
□ □ □ □ □ □

- 防爆主令控制器 Explosion-proof master controller
- 控制按钮(不装不注) Control button (no insallation and no note)
- 控制按钮数量 Number of control buttons
- 指示灯(不装不注) Indicator light (no insallation and no note)
- 指示灯数量 Number of indicator lights

C 选配表 Selection table

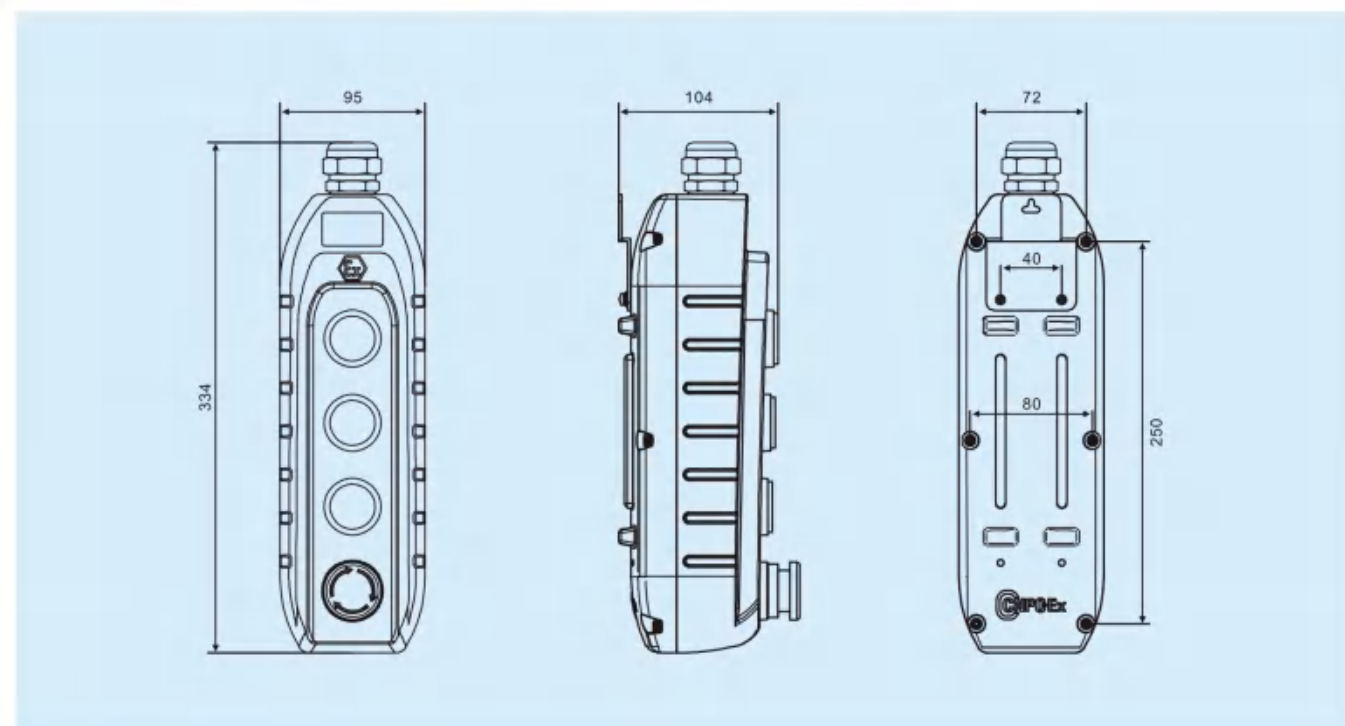
外形 Appearance	颜色 Colour	触点图 Contact map
普通式按钮 Normal button	绿色 Green	
	绿色 Green	
	绿色 Green	
	绿色 Green	
普通式按钮及指示灯 Ordinary buttons and indicator lights	红色 Red	
	黄色 Yellow	
	绿色 Green	
	红色 Red	
普通式按钮及急停按钮 (拉拔复位) Ordinary buttons and emergency stop buttons (PullReset)	黄色 Yellow	
	绿色 Green	
	红色 Red	
	红色 Red	
普通式按钮、堵头及 急停按钮(拉拔复位) Ordinary buttons, plugs, and Emergency stop button(PullReset)	红色 Red	
	绿色 Green	
	黑色 Black	
	红色 Red	



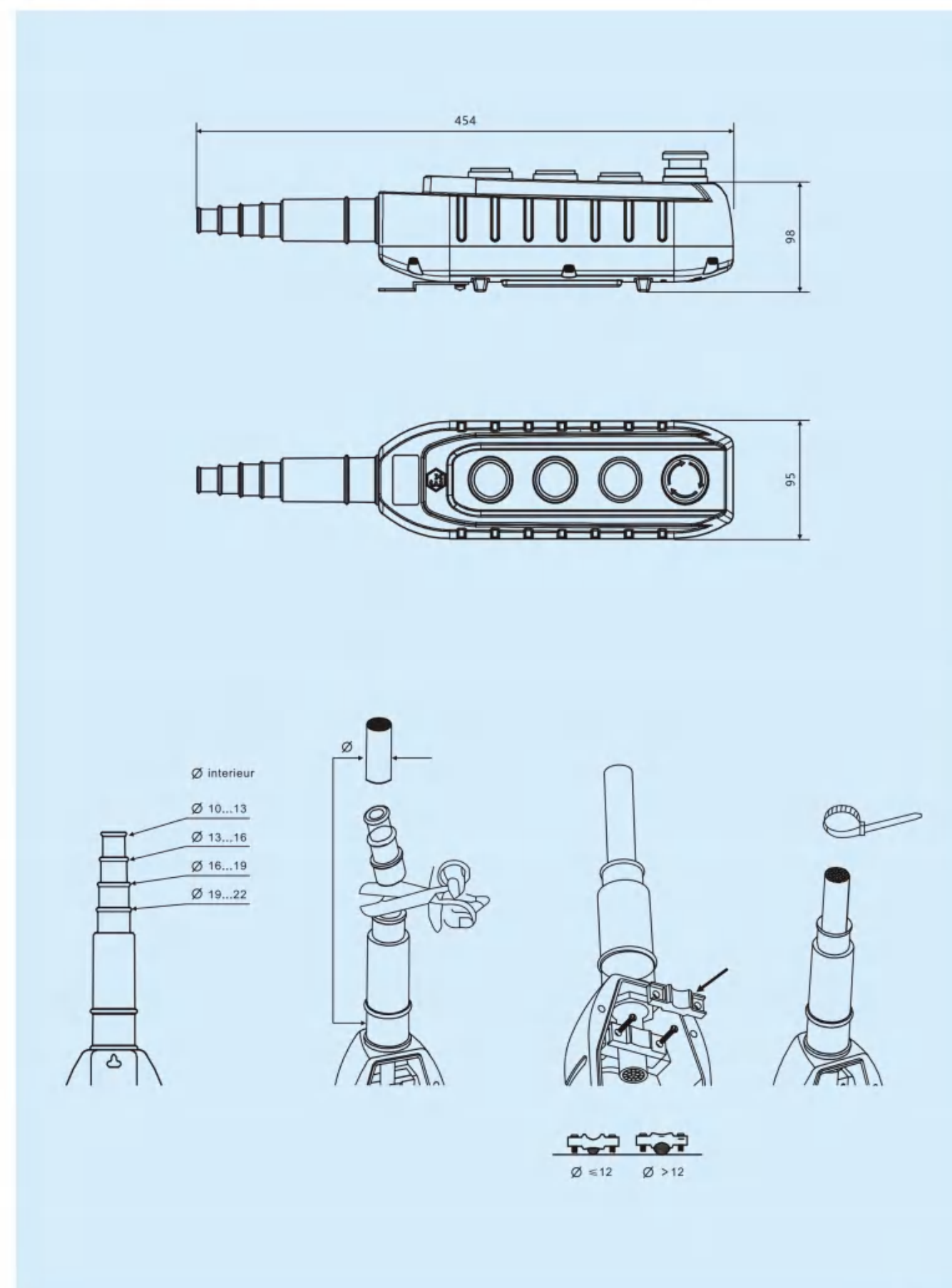
G 技术参数 Technical parameter

防爆主令控制器 Explosion-proof master controller	CN200-ZS-II
防爆型式 Explosion proof type	Ex II2G Ex db eb IIC T6 Gb
气体防爆型式 Gas explosion proof type	Ex II2D Ex tb IIIC T80°C Db
粉尘防爆型式 Dust explosion proof type	
执行标准 Executive standard	GB/T 3836.1, GB/T 3836.2, GB/T 3836.3, GB/T 3836.31; EN 60079-0, EN 60079-1, EN 60079-7, EN 60079-31, IEC 60079-0, IEC 60079-1, IEC 60079-7, IEC 60079-31
壳体材质 Shell material	GRP(工程塑料 Engineering plastic)
壳体颜色 Shell color	黑色 Black
外露紧固件 Exposed fasteners	不锈钢 Stainless steel
额定电压 Rated voltage	AC 380V, 220V, 110V, 36V, 24V
额定电流 Rated current	10A
防护等级 Protection level	IP66
周围环境温度 Ambient temperature	-40°C~+60°C
电缆入口 Cable entry	1 x M25 x 1.5 电缆引入装置 Cable entry device (CN970- I, 不锈钢 Stainless steel)
电缆外径 Cable outer diameter	Φ10~Φ22 (mm)

G 外形示意图 (所有尺寸单位为mm) - 可修改 Outline diagram (all dimensions in mm) - can be modified



G 安装示意图 Installation diagram





CN2010-B
系列防爆信号灯
CN2010-B
Series Explosion-proof light

IIC/Ex tb



C 产品概述 Product overview

- ◆ 防爆性能符合
 - CENELEC标准
 - IEC标准
 - NEC标准
- ◆ 适用于
 - 1区和2区
 - 21区和22区
 - II类, 1区和2区
 - II类, 1区, 气体组别 A, B, C, D
- ◆ 可提供一下颜色: -红色 -绿色 -黄色 -蓝色 -白色
- ◆ 可提供两种类型: -螺钉接线 -自带2米电缆
- ◆ Explosion-proof performance conforms to
 - CENELEC standard
 - IEC standard
 - NEC standard
- ◆ Suitable for
 - Zone 1 and Zone 2
 - Zone 21 and 22
 - Class II, Zone 1 and Zone 2
 - Class II, Zone 1, gas group A, B, C, D
- ◆ The following colors are available: -Red -Green -Yellow -Blue -White
- ◆ Two types are available: -Screw connection -With 2m cable

1区& 2区; 21区& 22区

zone1, zone2, zone21, zone22

CN2010-B 系列防爆信号灯
CN2010-B Series explosion-proof light

C 型号含义 Model meaning

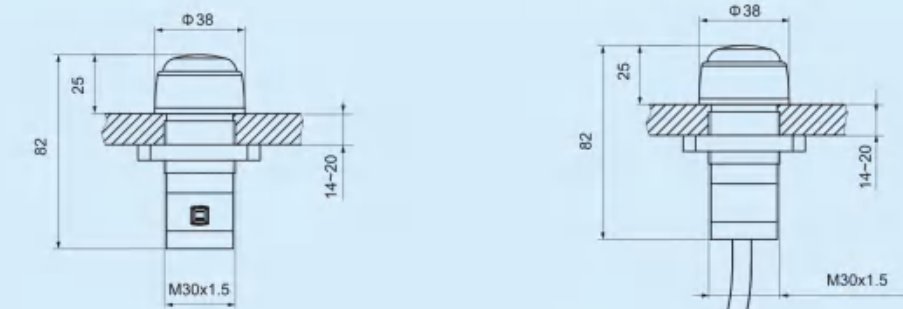
CN2010 - B - □ □
□ □ □ □

- 防爆信号灯 Explosion-proof light
- 隔爆型 Flameproof
- I: 螺钉接线 (可不标注) Screw connection (may not be marked)
II: 自带2米电缆 Comes with 2m cable
- 指示灯代号 Indicator code

C 技术参数 Technical parameter

防爆信号灯 Explosion-proof light	CN2010-B
防爆型式 Explosion proof type 气体防爆型式 Gas explosion proof type 粉尘防爆型式 Dust explosion proof type	<ul style="list-style-type: none"> Ex II2G Ex db IIC T6 Gb Ex II2D Ex tb IIIC T80°C Db
执行标准 Executive standard	GB/T 3836.1, GB/T 3836.2, GB/T 3836.3 EN 60079-0, EN 60079-1, EN 60079-31, IEC 60079-0, IEC 60079-1, IEC 60079-31
额定电压 Rated voltage	400V AC, 50/60Hz; 220~415V AC, 50/60Hz;
额定电流 Rated current	220V DC; 48~120V AC/DC; 12~36V AC/DC
防护等级 Protection level	IP65, IP66
周围环境温度 Ambient temperature	-60°C~+70°C

C 外形示意图 (所有尺寸单位为mm) - 可修改 Outline diagram (all dimensions in mm) - can be modified



隔爆螺纹
Flameproof thread
I: 螺钉接线
I: Screw connection

隔爆螺纹
Flameproof thread
II: 自带2米电缆 (电缆规格: 2 x 1.5mm²)
II: Comes with 2m cable (cable specification: 2 x 1.5mm²)



G 选配表 Selection table

类型 Type	额定电压 Rated voltage	示意图 Schematic diagram	颜色 Colour	代号 Codename
I: 螺钉接线 I: Screw connection	220~415V AC		红色 Red	Ra
			绿色 Green	Ga
			黄色 Yellow	Ya
			蓝色 Blue	Ba
			白色 White	Wa
	220V DC		红色 Red	Rb
			绿色 Green	Gb
			黄色 Yellow	Yb
			蓝色 Blue	Bb
			白色 White	Wb
	48~120V AC/DC		红色 Red	Rc
			绿色 Green	Gc
黄色 Yellow			Yc	
蓝色 Blue			Bc	
白色 White			Wc	
12~36V AC/DC		红色 Red	Rd	
		绿色 Green	Gd	
		黄色 Yellow	Yd	
		蓝色 Blue	Bd	
		白色 White	Wd	
II: 自带2米电缆 II: Comes with 2m cable	220~415V AC		红色 Red	Ra
			绿色 Green	Ga
			黄色 Yellow	Ya
			蓝色 Blue	Ba
			白色 White	Wa
	220V DC		红色 Red	Rb
			绿色 Green	Gb
			黄色 Yellow	Yb
			蓝色 Blue	Bb
			白色 White	Wb
	48~120V AC/DC		红色 Red	Rc
			绿色 Green	Gc
			黄色 Yellow	Yc
			蓝色 Blue	Bc
			白色 White	Wc
	12~36V AC/DC		红色 Red	Rd
			绿色 Green	Gd
			黄色 Yellow	Yd
			蓝色 Blue	Bd
			白色 White	Wd



CN2010-C
系列防爆信号灯
CN2010-C
Series Explosion-proof light

IIC/Ex tb



G 产品概述 Product overview

- ◆ 防爆性能符合
 - CENELEC标准
 - IEC标准
 - NEC标准
- ◆ 适用于
 - 1区和2区
 - 21区和22区
 - II类, 1区和2区
 - II类, 2区, 气体组别 A, B, C, D
- ◆ 可提供以下颜色: -红色 -绿色 -黄色 -蓝色 -白色
- ◆ 有两种安装方式供选择: -上装式 -下装式
- ◆ Explosion-proof performance conforms to
 - CENELEC standard
 - IEC standard
 - NEC standard
- ◆ Suitable for
 - Zone 1 and Zone 2
 - Zone 21 and 22
 - Class II, Zone 1 and Zone 2
 - Class II, Zone 2, gas group A, B, C, D
- ◆ The following colors are available: -Red -Green -Yellow -Blue -White
- ◆ There are two installation methods to choose from: -top loading -bottom loading

1区& 2区; 21区& 22区

zone1, zone2, zone21, zone22



G 型号含义 Model meaning


CN2010 - C - □□	
□	□
□ 信号灯 Signal lamp	
□ 增安体用 Increase body safety	
□ I: 上装式 Top loading	
□ II: 下装式 Bottoms	
□ 指示灯代号 Indicator code	

G 技术参数 Technical parameter

防爆信号灯 Explosion-proof light	CN2010-C
防爆型式 Explosion proof type	Ex II2G Ex db eb IIC Gb
执行标准 Executive standard	GB/T 3836.1, GB/T 3836.2, GB/T 3836.3 EN 60079-0, EN 60079-1, EN 60079-7, IEC 60079-0, IEC 60079-1, IEC 60079-7
额定电压 Rated voltage	12V...415V AC/DC (-10%...+6%)
额定电流 Rated current	Max.15mA
频率 Frequency	0Hz...60Hz
额定输出功率 Rated output power	Max.1W
工作寿命 Life span	105 小时 Hour
周围环境温度 Ambient temperature	-20°C ~ +70°C
颜色 Colour	红色、绿色、黄色、蓝色、白色 Red, Green, Yellow, Blue, White
光源 Light source	LED
壳体材质 Shell material	尼龙 (PA66) Nylon (PA66)
接线端子 Terminal block	适合2.5mm ² 导线 Suitable for 2.5mm ² wire
指示灯罩材质 Lamp cover material	PC



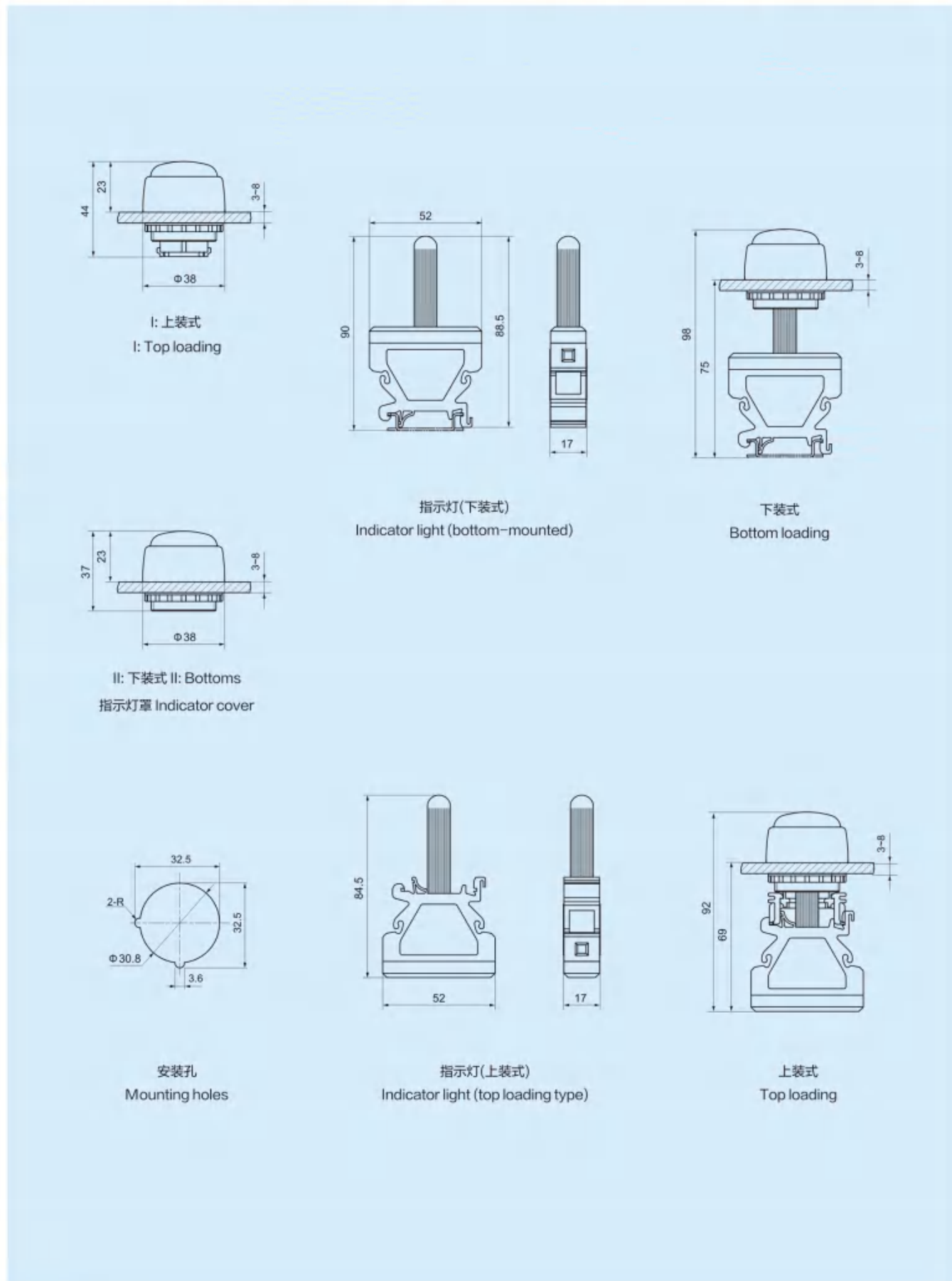
G 选配表 Selection table

类型 Type	额定电压 Rated voltage	示意图 Schematic diagram	颜色 Colour	代号 Codename
信号灯 Signal lamp  a: 上装式 a: Top loading	额定电压: AC 230V...AC 415V Rated voltage: AC 230V...AC 415V 电压范围: -10%...+6% Voltage range: -10%...+6% 频率: 0Hz...60Hz Frequency: 0Hz...60Hz		红色 Red	Ra
			绿色 Green	Ga
			黄色 Yellow	Ya
a: 上装式 a: Top loading	额定电压: AC/DC 48V...110V Rated voltage: AC/DC 48V...110V 电压范围: -10%...+6% Voltage range: -10%...+6% 频率: 0Hz...60Hz Frequency: 0Hz...60Hz		蓝色 Blue	Ba
			白色 White	Wa
			红色 Red	Rb
b: 下装式 b: Bottom loading	额定电压: AC/DC 12V...36V Rated voltage: AC/DC 12V...36V 电压范围: -10%...+6% Voltage range: -10%...+6% 频率: 0Hz...60Hz Frequency: 0Hz...60Hz		绿色 Green	Gb
			黄色 Yellow	Yb
			蓝色 Blue	Bb
b: 下装式 b: Bottom loading	额定电压: AC/DC 12V...36V Rated voltage: AC/DC 12V...36V 电压范围: -10%...+6% Voltage range: -10%...+6% 频率: 0Hz...60Hz Frequency: 0Hz...60Hz		白色 White	Wb
			红色 Red	Rc
			绿色 Green	Gc
指示灯罩 Indicator cover  I: 上装式 I: Top loading	额定电压: DC 220V, 380V Rated voltage: DC 220V, 380V 电压范围: -10%...+6% Voltage range: -10%...+6%		黄色 Yellow	Yc
			蓝色 Blue	Bc
			白色 White	Wc
I: 上装式 I: Top loading	额定电压: DC 220V, 380V Rated voltage: DC 220V, 380V 电压范围: -10%...+6% Voltage range: -10%...+6%		红色 Red	Rd
			绿色 Green	Gd
			黄色 Yellow	Yd
II: 下装式 II: Bottoms	额定电压: DC 220V, 380V Rated voltage: DC 220V, 380V 电压范围: -10%...+6% Voltage range: -10%...+6%		蓝色 Blue	Bd
			白色 White	Wd
			红色 Red	Rd
II: 下装式 II: Bottoms	额定电压: DC 220V, 380V Rated voltage: DC 220V, 380V 电压范围: -10%...+6% Voltage range: -10%...+6%		绿色 Green	Gd
			黄色 Yellow	Yd
			蓝色 Blue	Bd
			白色 White	Wd
			红色 Red	Rd
II: 下装式 II: Bottoms	额定电压: DC 220V, 380V Rated voltage: DC 220V, 380V 电压范围: -10%...+6% Voltage range: -10%...+6%		绿色 Green	Gd
			黄色 Yellow	Yd
			蓝色 Blue	Bd
			白色 White	Wd
			红色 Red	Rd

订货代号最后一位字母代表: A-上装式; B-下装式
The last letter of the order code represents: A-top loading; B-bottom loading



G 外形示意图 (所有尺寸单位为mm) - 可修改 Outline diagram (all dimensions in mm)-can be modified



CN2020-B 系列防爆按钮
CN2020-B Series Explosion-proof button

CN2020-B
系列防爆按钮

CN2020-B
Series Explosion-proof button

IIC/Ex tb



G 产品概述 Product overview

- ◆ 防爆性能符合
 - CENELEC标准
 - IEC标准
 - NEC标准
- ◆ 适用于 1区和2区 21区和22区 II类, 1区和2区 II类, 1区, 气体组别 A, B, C, D
- ◆ 有5种操作方式:
 - 普通式按钮
 - 钥匙头按钮
 - 急停按钮(拉拔复位)
 - 急停按钮(旋转复位)
 - 旋转按钮
- ◆ 急停按钮(拉拔复位) / 急停按钮(旋转复位)可配置保护罩, 需要另外订购。保护罩有不锈和PC两种材质, 下单时请注明。
- ◆ Explosion-proof performance conforms to
 - CENELEC standard
 - IEC standard
 - NEC standard
- ◆ Suitable for zone 1 and zone 2 zone 21 and zone 22 class II, zone 1 and zone 2 class II, zone 1, gas group A, B, C, D
- ◆ There are 5 operation modes:
 - Normal button
 - Key head button
 - Emergency stop button (pull to reset)
 - Emergency stop button (rotate to reset)
 - Rotate button
- ◆ The emergency stop button (pull reset) / emergency stop button (rotate reset) can be equipped with a protective cover, which needs to be ordered separately. Is there a protective cover stainless steel and PC are made of two materials, please specify when placing the order.

1区& 2区; 21区& 22区
zone1, zone2, zone21, zone22






G 型号含义 Model meaning

CN2020 - B - □□ □ □ □ □	
□ 防爆按钮 Explosion-proof button	
□ 隔爆型 Flameproof	
□ 按钮代号 Button code	
□ 触点代号 Contact code	

G 技术参数 Technical parameter

防爆按钮 Explosion-proof button	CN2020-B
防爆型式 Explosion proof type	II2G Ex db eb IIC Gb
气体防爆型式 Gas explosion proof type	II2D Ex tb IIIC Db
粉尘防爆型式 Dust explosion proof type	
执行标准 Executive standard	GB/T 3836.1, GB/T 3836.2, GB/T 3836.3, GB/T 3836.31 EN 60079-0, EN 60079-1, EN 60079-31, IEC 60079-0, IEC 60079-1, IEC 60079-31
额定电压 Rated voltage	660V AC; 400V DC
额定电流 Rated current	10A(for 660V AC); 6A(for 400V DC)
防护等级 Protection level	IP65、IP66
周围环境温度 Ambient temperature	-60°C~+70°C

G 按钮触点选配表 Button contact matching table

触点安装方式 Contact installation method	规格 Specification	触点代号 Contact code	订货代号 Order code
 螺钉式 Screw type	 1NC	T1	40023
	 1NO	S1	40024





G 选配表 Selection table

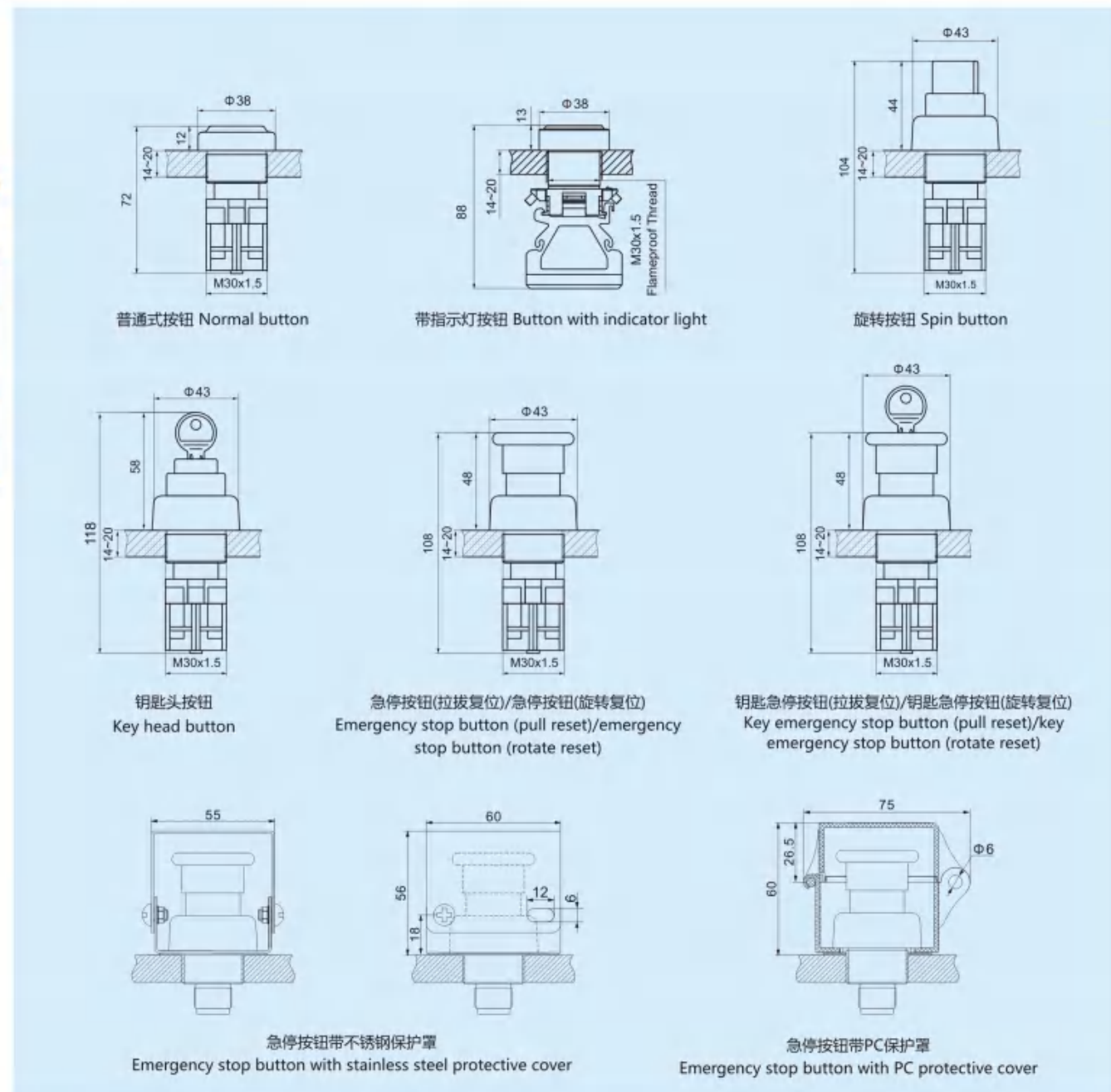
上装式 Top loading	规格 Specification	代号 Code
	普通式按钮 Normal button	● 红色 Red a
		● 绿色 Green b
		● 黄色 Yellow c
	急停按钮(拉拔复位) Emergency stop button (pull reset)	红色 Red d
	钥匙急停按钮(拉拔复位) Key emergency stop button (pull reset)	红色 Red d
	急停按钮(旋转复位) Emergency stop button (rotate to reset)	红色 Red e
	钥匙急停按钮(旋转复位) Key emergency stop button (rotate to reset)	红色 Red e
	旋转按钮 Spin button	黑色 Black f
	钥匙头按钮 Key head button	黑色 Black g
	带指示灯按钮 Button with finger light	● 红色 Red a
		● 绿色 Green b
		● 黄色 Yellow c
		● 蓝色 Blue d



G 附件 Annex

名称 Name	材质 Material	订货代号 Order code
 急停按钮保护罩 Emergency stop button protection cover	PC	40196
 急停按钮保护罩 Emergency stop button protection cover	不锈钢 Stainless steel	40197

G 外形示意图 (所有尺寸单位为mm) - 可修改 Outline diagram (all dimensions in mm) - can be modified



CN2020-C
系列防爆控制按钮

CN2020-C
Series Explosion-proof
control button

IIC/Ex tb



G 产品概述 Product overview

- ◆ 防爆性能符合
 - CENELEC标准
 - IEC标准
 - NEC标准
- ◆ 适用于 1区和2区 21区和22区 II类, 1区和2区 II类, 2区, 气体组别 A, B, C, D
- ◆ 内部元件有2种形式 -1 NO -1 NC
- ◆ 有6种操作方式:
 - 普通式按钮
 - 急停按钮 (拉拔复位)
 - 钥匙头按钮
 - 旋转按钮
 - 双按钮
 - 急停按钮 (旋转复位)
- ◆ Explosion-proof performance conforms to
 - CENELEC standard
 - IEC standard
 - NEC standard
- ◆ Suitable for zone 1 and zone 2 zone 21 and zone 22 class II, zone 1 and zone 2 class II, zone 2, gas group A, B, C, D
- ◆ There are 2 types of internal components -1 NO -1 NC
- ◆ There are 6 operation modes:
 - Normal button
 - Emergency stop button (pull reset)
 - Key head button
 - Rotate button
 - Dual buttons
 - Emergency stop button (rotate to reset)

1区& 2区; 21区& 22区
zone1, zone2, zone21, zone22



G 型号含义 Model meaning

CN2020 - C - □□□
□ □ □ □ □ □ □ □

- 防爆控制按钮 Explosion-proof control button
- 增安体用 Increase body safety
- I: 上装式 Top loading
- II: 下装式 Bottoms
- 控制按钮代号 Control button code
- 触点代号 Contact code

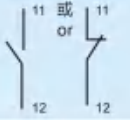
G 选配表 Selection table

型号 Model	产品描述 Product Description	触点代号 Contact code
 a: 上装式 a: Top loading	 1NC	R
	 1NO	S
 b: 下装式 b: Bottom loading	 1NC	R
	 1NO	S


订货代号最后一位代表: 1 - 上装式; 2 - 下装式 The last representative of the order code: 1-top loading type; 2-bottom loading type.

型号 Model	产品描述 Product Description	代号 Code
	普通式按钮 Normal button	<ul style="list-style-type: none"> ● 红色 Red ● 绿色 Green ● 黄色 Yellow
	急停按钮 (拉拔复位) Emergency stop button (pull reset)	红色 Red
	钥匙头按钮 Key head button	黑色 Black
	旋转按钮 Spin button	红色 Red
	急停按钮 (旋转复位) Emergency stop button (rotate to reset)	红色 Red
	双按钮 Double button	红色/绿色 Red/Green
	带灯按钮 Illuminated button	<ul style="list-style-type: none"> ● 红色 Red ● 绿色 Green ● 黄色 Yellow
		j
		k

G 技术参数 Technical parameter

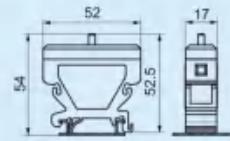
防爆控制按钮 Explosion-proof control button	CN2020-C		
防爆型式 Explosion proof type	Ex II2G Ex db eb IIC Gb; Ex tb IIIC Db		
执行标准 Executive standard	GB/T 3836.1, GB/T 3836.2, GB/T 3836.3, GB/T 3836.31 EN 60079-0, EN 60079-1, EN 60079-7, IEC 60079-0, IEC 60079-1, IEC 60079-7		
壳体材质 Shell material	尼龙 Nylon (PA66)		
额定电压 Rated voltage	Max. 415V AC		
额定电流 Rated current	6A		
触点类型 Contact type			
开关容量 Switching capacity	AC 11, cosφ=0.7	230V-4A	415V-2.5A
	DC1 L/R=1ms	60V-4A	110V-2.5A
	DC11 L/R=15ms	60V-6A	110V-2.5A
	L/R=30ms	4A	1.6A
	L/R=100ms	2.5A	1.0A
机械寿命 Mechanical life	10 ⁶ 次 Second-rate		
电气寿命 Electrical life	10 ⁶ 次 Second-rate		
周围环境温度 Ambient temperature	-20°C ~ +70°C		
接线端子 Terminals	适合 Suitable for 2.5mm ² 导线 Wire		
按钮材质 Button material	尼龙 Nylon (PA66)		
垫圈 Washer	硅橡胶 Silicone rubber		
普通式按钮 Normal button	弹簧复位按钮头 Spring return button head		
急停按钮(拉拔复位) Emergency stop button(pull reset)	按下锁定, 拉拔复位 Press to lock, pull to reset		
钥匙头按钮 Key head button	旋转锁定, 打开需用钥匙, 钥匙可向两边旋转 Rotation lock, need a key to open, the key can be rotated to both sides		
旋转按钮 Spin button	两个位置开关功能, 可旋转90° Two position switch function, can rotate 90°		
双按钮 Double button	弹簧复位按钮头, 1个按钮头带2种按钮功能 Spring return button head, 1 button head with 2 button functions		
急停按钮(旋转复位) Emergency stop button (rotate to reset)	按下锁定, 旋转复位 Press to lock, rotate to reset		

G 附件 Annex

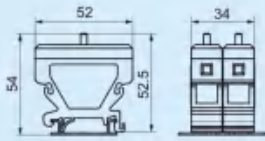
名称 Name	材质 Material	名称 Name	材质 Material
 上装支架 Upper bracket	PC	 急停按钮保护罩 Emergency stop button protection cover	PC
 导轨 Guide	铝合金 (1m) Aluminum alloy(1m)	 急停按钮保护罩 Emergency stop button protection cover	不锈钢 Stainless steel



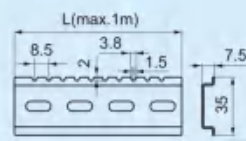
G 外形示意图 (所有尺寸单位为mm) - 可修改 Outline diagram (all dimensions in mm)-can be modified



控制按钮, 单 (下装式)
Control button, single (bottom loading)



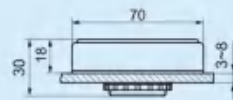
控制按钮, 双 (下装式)
Control buttons, double (bottom loading)



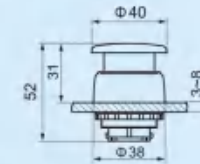
导轨
Slideway



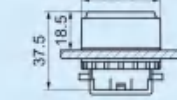
普通式按钮
Normal button



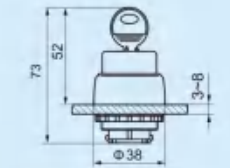
双按钮
Double button



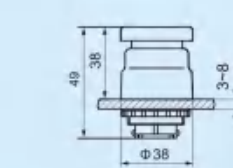
急停按钮 (拉拔复位)
Emergency stop button (pull reset)



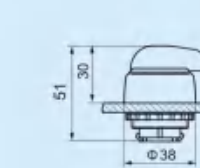
带指示灯按钮
Button with indicator light



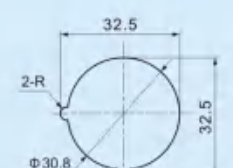
钥匙头按钮
Key head button



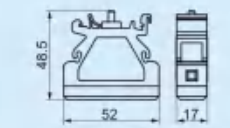
急停按钮 (旋转复位)
Emergency stop button (rotate to reset)



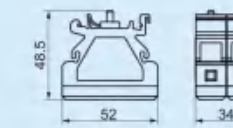
旋转按钮
Spin button



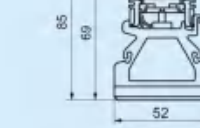
安装孔
Mounting holes



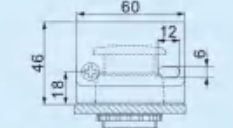
控制按钮, 单(上装式)
Control button, single (top-mounted)



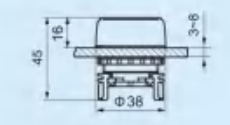
控制按钮, 双(上装式)
Control buttons, double (top-mounted)



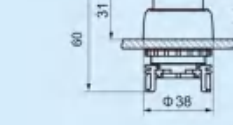
控制按钮, 上装式
Control buttons, top-mounted



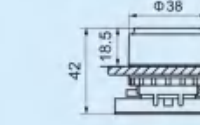
BA8050急停按钮
带不锈钢保护罩
BA8050 emergency stop button
With stainless steel protective cover



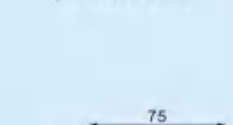
普通式按钮操作
Normal button operation



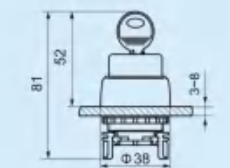
急停按钮 (拉拔复位)
Emergency stop button (pull reset)



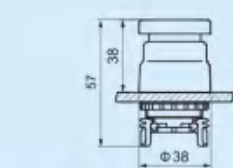
带指示灯按钮
Button with indicator light



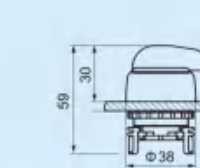
BA8050急停按钮
带PC保护罩
BA8050 emergency stop button
with PC protective cover



钥匙头按钮
Key head button



急停按钮 (旋转复位)
Emergency stop button (rotate to reset)



旋转按钮
Spin button

CN2030-B
系列防爆转换开关

CN2030-B
Series Explosion-proof
transfer switch

IIC/Ex tb



C 产品概述 Product overview

- ◆ 防爆性能符合
 - CENELEC标准
 - IEC标准
 - NEC标准
- ◆ 适用于
 - 1区和2区、
 - 21区和22区、
 - II类, 1区和2区
 - II类, 1区, 气体组别 A, B, C, D
- ◆ 有闭锁式和反弹式。
- ◆ 开关有多种功能供用户选择。
- ◆ 极数: 2P, 3P, 4P, 6P。
- ◆ 本系列开关必须在隔爆型壳体中使用。
- ◆ Explosion-proof performance conforms to
 - CENELEC standard
 - IEC standard
 - NEC standard
- ◆ Suitable for
 - Zone 1 and Zone 2,
 - Zone 21 and Zone 22,
 - Class II, Zone 1 and Zone 2
 - Class II, Zone 1, gas group A, B, C, D
- ◆ There are locking type and rebound type.
- ◆ The switch has a variety of functions for users to choose.
- ◆ Number of poles: 2P, 3P, 4P, 6P.
- ◆ This series of switches must be used in flameproof enclosures.

1区& 2区; 21区& 22区

zone1, zone2, zone21, zone22



G 型号含义 Model meaning

CN2030 - B - □
□ □ □

- 防爆转换开关 Explosion-proof transfer switch
- 隔爆型 Flameproof
- 控制开关代号 Control switch code

G 技术参数 Technical parameter

防爆转换开关 Explosion-proof transfer switch	CN2030-B
防爆型式 Explosion proof type	Ex II2G Ex db IIC T6 Gb
气体防爆型式 Gas explosion proof type	Ex II2D Ex tb IIIC T80°C Db
粉尘防爆型式 Dust explosion proof type	
执行标准 Executive standard	EN 60079-0, EN 60079-1, EN 60079-31 IEC 60079-0, IEC 60079-1, IEC 60079-31
额定电压 Rated voltage	500V AC, 400V DC
额定电流 Rated current	16A
防护等级 Protection level	IP65, IP66
周围环境温度 Ambient temperature	-60°C ~ +70°C

G 选配表 Selection table

开关代号 Switch code	触点图 Contact map	等效开关 Equivalent switch	旋钮位置实线表定位, 虚线表示自复位 Knob position (solid line indicates positioning, dashed line indicates self-reset)	等效功能说明 Equivalent function description
a				a. 功能接线均与双按钮相同, 自动复位。 a. The functional wiring is the same as the double button, and it is automatically reset.
b				b. 功能接线均与双按钮相同, 启动后自动复位, 增加了锁停档位, 避免误操作。 b. The functional wiring is the same as that of the double button, and it will automatically reset after starting, and the lock and stop gears have been added to avoid misoperation.
c				c. 功能为2个常开触点的按钮, 自动复位, 适用于高压电机控制电路, 或采用a开关代号功能面板。 c. The function is 2 buttons with normally open contacts, automatic reset, suitable for high-voltage motor control circuit, or use a switch code function panel.
d				d. 小功率电源开关。 d. Low-power mains switch.
e				e. 功能与3按钮相同, 控制电机正反转, 正、反启动位置自复位。 e. The function is the same as the 3 button, it is used to control the forward and reverse rotation of the motor, and the forward and reverse starting positions are self-reset.

G 选配表 Selection table

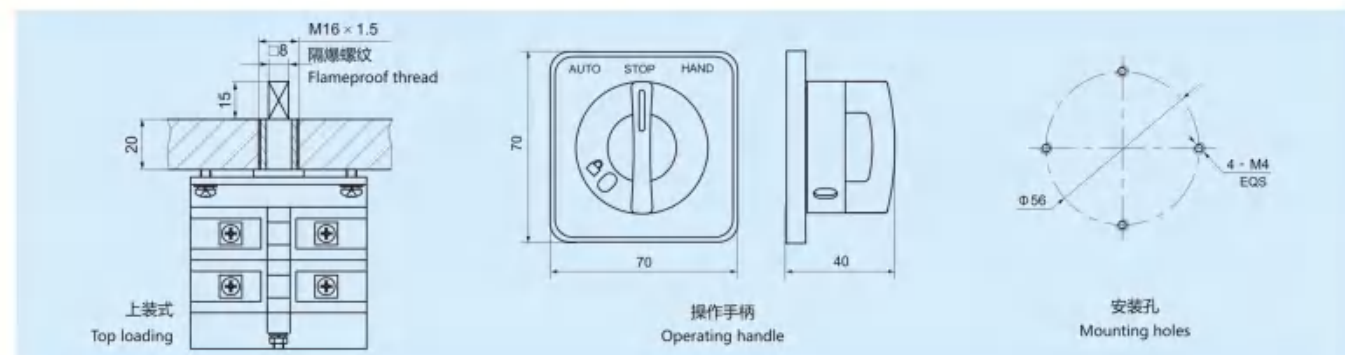
开关代号 Switch code	触点图 Contact map	等效开关 Equivalent switch	旋钮位置实线表定位, 虚线表示自复位 Knob position (solid line indicates positioning, dashed line indicates self-reset)	等效功能说明 Equivalent function description
f				f. 选择开关, 中间带停止档位。 f. Selector switch with stop gear in the middle.
g				g. 相当于2个按钮和一个切换开关装于一轴, 在启动与停止之间均可输出联络信号或监控信号。 g. Equivalent to 2 buttons and a switch on one axis, which can output contact signal or monitoring signal between start and stop.
h				h. 多信号逐级传送。 h. Multi-signal transmission step by step.
i				i. 在h开关代号基础上增加了总信号传送功能。 i. Added the total signal transmission function on the basis of the h switch code.
j				j. 二位进级, 逐级切换。 j. Two-bit advancement, step by step switch.
k				k. 转换开关。 k. Changeover switch.
l				l. 三级双掷选择开关。 l. Three-stage double-throw selector switch.
m				m. 自动、手动、启动三位转换开关, 启动自复位, 启动后必须经过停止档位才能转向自动档位。 m. Automatic, manual and start three-position switch, start self-reset, must go through the stop gear after starting position to turn to automatic gear.
n				n. 与m开关代号万能结构略有不同, 启动后不停止档位直接转向自动档位。 n. It is slightly different from the universal structure of the m switch code name, after starting, it will directly turn to the automatic gear without stopping the gear.
o				o. 启动为双触点自复位, 带锁停档位。 o. The starting is a double contact self-resetting, with a lock to stop the gear.
p				p. 停止为双触点, 可分别代替a开关代号和c开关代号, 起停、自复位。 p. The stop is a double contact, which can replace a switch code respectively and c switch code, start-stop, self-reset.



G 选配表 Selection table

开关代号 Switch code	触点图 Contact map	等效开关 Equivalent switch	旋钮位置(实线表定位, 虚线表示自复位) Knob position (solid line indicates positioning, dashed line indicates self-reset)	等效功能说明 Equivalent function description
q				q. 停止带为双触点, 带锁停档位, 启动自复位。 q. The stop belt is a double contact, with a lock to stop the gear, starting and self-resetting.
r				r. 起、停均带双触点, 起停均自动复位, 同a开关代号万能面板。 r. Both start and stop are equipped with double contacts, and both start and stop are automatically reset, with the same switch code as a universal panel.
s				s. 起、停前先传递一个联络信号。 s. Send a contact signal before starting and stopping.
t				t. 起、停均带锁停档位功能, 避免误操作, 不自动复位。 t. Both start and stop are equipped with lock and stop gear functions to avoid misoperation and do not automatically reset.
u				u. 为双控选择开关。 u. It is a dual control selector switch.
v				v. 电压换相测量换开关。 v. Voltage commutation measurement with replacement switch.
w				w. 为1个2常开自复位按钮, 左右一样。 w. It is a 2 normally open self-reset button, the left and right are the same.
x				x. 为2个2常开触点的自复位按钮。 x. Two self-reset buttons with 2 normally open contacts.

G 外形示意图 (所有尺寸单位为mm) - 可修改 Outline diagram (all dimensions in mm) - can be modified



CN2030-C
系列防爆转换开关

CN2030-C
Series Explosion-proof
transfer switch

IIC/Ex tb



G 产品概述 Product overview

- ◆ 防爆性能符合
 - CENELEC标准
 - IEC标准
 - NEC标准
- ◆ 适用于
 - 1区和2区
 - 21区和22区
 - II类, 1区和2区
 - II类, 2区, 气体组别 A, B, C, D
- ◆ 极数: 2P, 3P, 4P, 6P。
- ◆ 闭锁式或弹簧式。
- ◆ Explosion-proof performance conforms to
 - CENELEC standard
 - IEC standard
 - NEC standard
- ◆ Suitable for
 - Zone 1 and Zone 2
 - Zone 21 and 22
 - Class II, Zone 1 and Zone 2
 - Class II, Zone 2, gas group A, B, C, D
- ◆ Number of poles: 2P, 3P, 4P, 6P.
- ◆ Locking type or spring type.

1区& 2区; 21区& 22区

zone1, zone2, zone21, zone22



G 型号含义 Model meaning

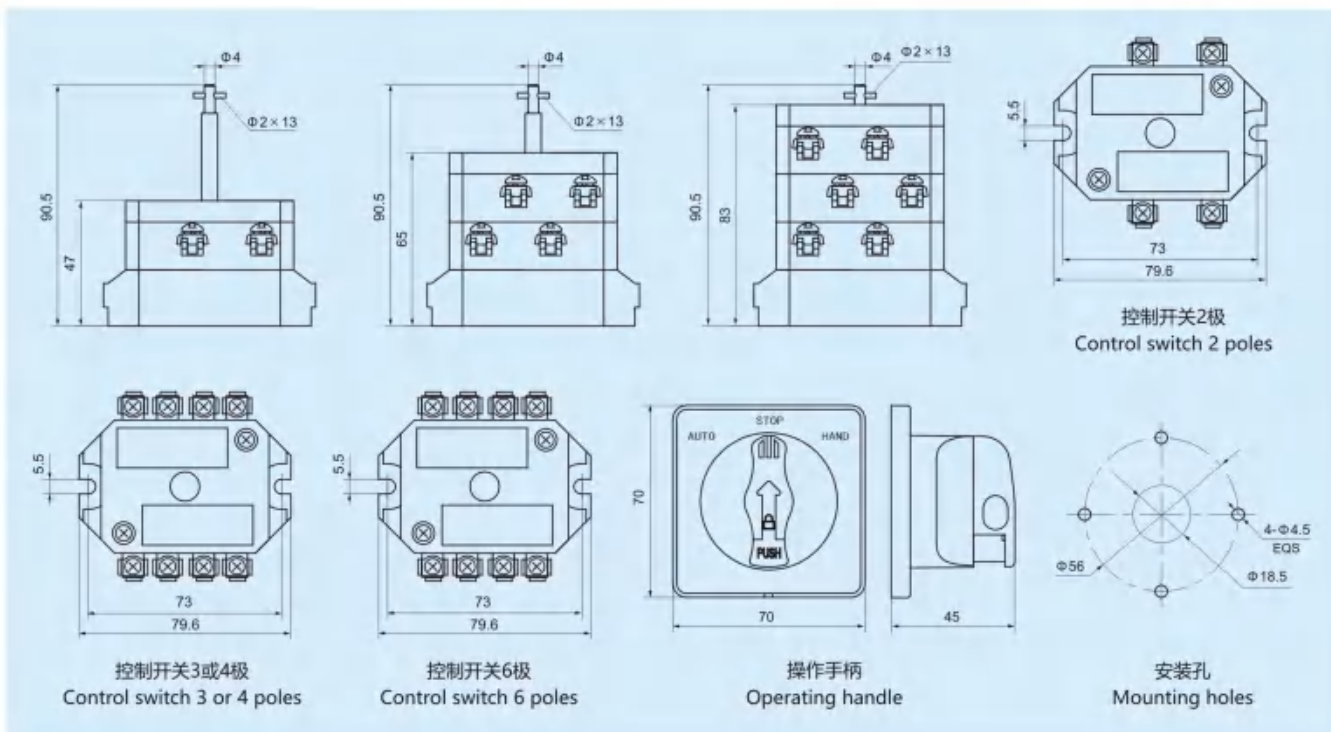
CN2030 - C - □
□ □ □

- 防爆转换开关 Explosion-proof transfer switch
 - 增安体用 Increase body safety
 - 控制开关代号 Control switch code
- 注：开关触点图同“CN2030-B系列防爆转换开关”。
Note: The switch contact diagram is the same as "CN2030-B Series explosion-proof transfer switch".

G 技术参数 Technical parameter

防爆转换开关 Explosion-proof transfer switch	CN2030-C
防爆型式 Explosion proof type	Ex II2G Ex db eb IIC Gb
执行标准 Executive standard	EN 60079-0, EN 60079-1, EN 60079-7 IEC 60079-0, IEC 60079-1, IEC 60079-7
壳体材质 Shell material	塑料 Plastic
额定电压 Rated voltage	Max. 415V AC
额定电流 Rated current	16A
开关角度 Switch angle	n x 45°/n x 90°
工作寿命 Life span	105 次
周围环境温度 Ambient temperature	-20°C~+70°C
接线 Wiring	2.5mm ²
手柄材质 Handle material	PC (聚碳酸酯 Polycarbonate)
面板材质 Panel material	ABS (丙烯腈-丁二烯-苯乙烯 Acrylonitrile butadiene styrene)
密封材质 Seal material	NBR (丁腈橡胶 Nitrile rubber)

G 外形示意图 (所有尺寸单位为mm) - 可修改 Outline diagram (all dimensions in mm)-can be modified



CN2060
系列防爆电流表/电压表

CN2060
Series Explosion-proof
ammeter/voltmeter

IIC/Ex tb



G 产品概述 Product overview

- ◆ 防爆性能符合
 - CENELEC标准
 - IEC标准
 - NEC标准
- ◆ 适用于
 - 1区和2区
 - 21区和22区
 - II类, 1区和2区
 - II类, 2区, 气体组别 A, B, C, D
- ◆ 快速比照测量值和设定值
- ◆ 可提供以下规格
 - 电流表(72型)
 - 电压表(72型)
- ◆ Explosion-proof performance conforms to
 - CENELEC standard
 - IEC standard
 - NEC standard
- ◆ Suitable for
 - Zone 1 and Zone 2
 - Zone 21 and 22
 - Class II, Zone 1 and Zone 2
 - Class II, Zone 2, gas group A, B, C, D
- ◆ Quickly compare the measured value and the set value
- ◆ The following specifications are available
 - Ammeter (Type 72)
 - Voltmeter (Type 72)

1区& 2区; 21区& 22区
zone1, zone2, zone21, zone22



G 型号含义 Model meaning

CN2060- □(□/□)	
□	□ □ □ □
□	防爆电流表/电压表 Explosion-proof ammeter/voltmeter
□	V: 电压表 Voltmeter
□	A: 电流表 Ammeter
□	电流表量程 Ammeter range

G 选配表 Selection table

型号 Model	描述 Describe	测量范围 Measuring range	
电压表 Voltmeter CN2060-V(□)	直接测量 Direct measurement	0~10 V	
		0~25 V	
		0~40 V	
		0~60 V	
		0~100 V	
		0~150 V	
		0~250 V	
		0~300 V	
		0~450 V	
		0~500 V	
		0~600 V	
		配电压互感器 Equipped with voltage transformer	sek. 100 V
			sek. 110 V
			sek. 120 V



G 选配表 Selection table

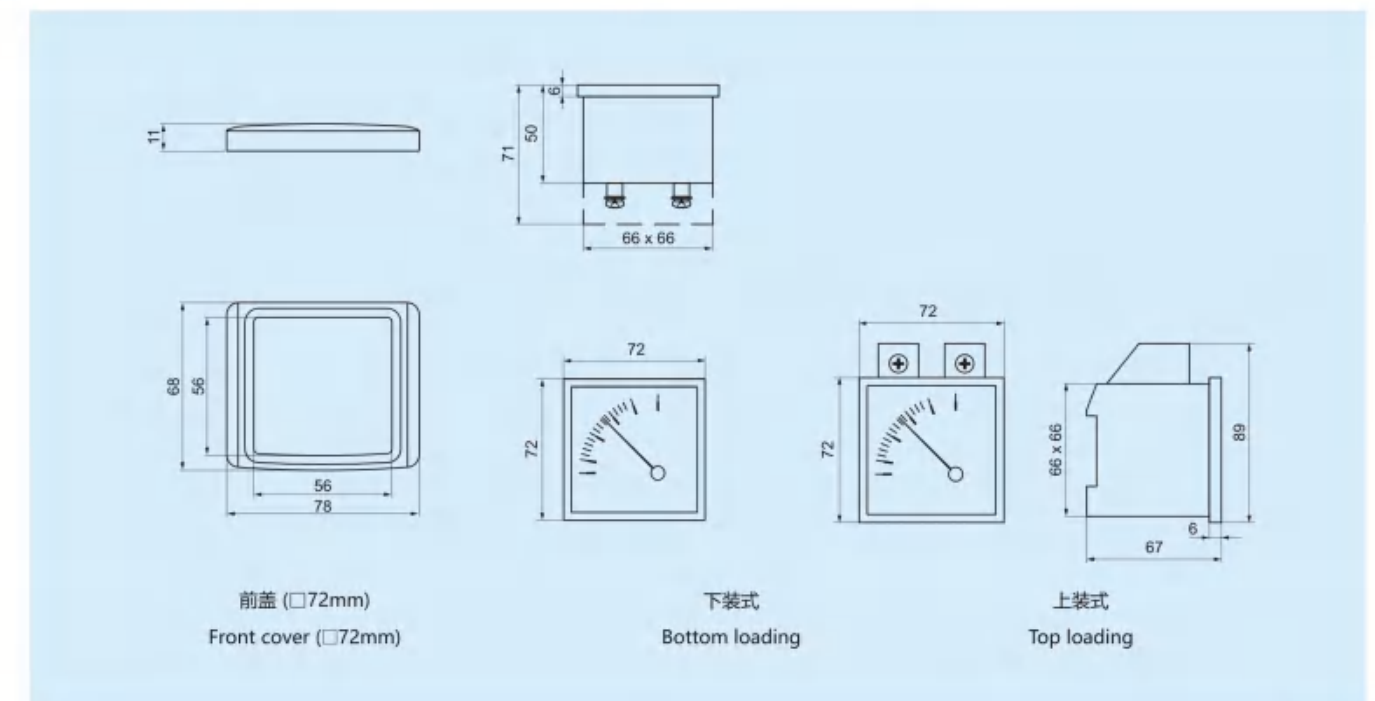
型号 Model	描述 Describe	过载倍数(倍) Overload multiple (times)	测量范围 Measuring range
电流表 Ammeter CN2060-A(□/□)	直接测量 Direct measurement	2 倍 2 Times	0~20/40 mA
		2 倍 2 Times	4~20/40 mA
	直接测量 Direct measurement	2 倍 2 Times	0~1 A
		2 倍 2 Times	0~5 A
	配电流互感器 With current transformer	2倍或6倍 2 Times or 6 times	sek. 1 A
		2倍或6倍 2 Times or 6 times	sek. 5 A



G 技术参数 Technical parameter

防爆电流表/电压表 Explosion-proof ammeter/voltmeter	CN2060	
防爆型式 Explosion proof type	电流表 Ammeter Ex II2G Ex eb IIC Gb	电压表 Voltmeter Ex II2G Ex eb IIC Gb
执行标准 Executive standard	EN 60079-0, EN 60079-7 IEC 60079-0, IEC 60079-7	EN 60079-0, EN 60079-7 IEC 60079-0, IEC 60079-7
壳体材质 Shell material	阻燃塑料 Flame retardant plastic	阻燃塑料 Flame retardant plastic
绝缘电压 Insulation voltage	690V AC	690V AC
频率 Frequency	50/60Hz / 可提供 Available DC	50/60Hz / 可提供 Available DC
工作方式 Way of working	电磁式(动铁式) Electromagnetic (moving iron)	电磁式(动铁式) Electromagnetic (moving iron)
精确度 Accuracy	1.5级 Level	1.5级 Level
过载倍数 Overload multiple	6 倍 Times	
周围环境温度 Ambient temperature	-20°C~+80°C	-20°C~+80°C
接线 Wiring	2.5mm ²	2.5mm ²
尺寸 Size	72x72mm	72x72mm

G 外形示意图 (所有尺寸单位为mm) - 可修改 Outline diagram (all dimensions in mm) - can be modified





CN2070
系列防爆熔断器
Series Explosion-proof fuse



C 产品概述 Product overview

- ◆ 防爆性能符合
 - CENELEC标准
 - IEC标准
 - NEC标准
- ◆ 适用于
 - 1区和2区
 - II类, 1区和2区
 - II类, 2区, 气体组别 A, B, C, D
- ◆ Explosion-proof performance conforms to
 - CENELEC standard
 - IEC standard
 - NEC standard
- ◆ Suitable for
 - Zone 1 and Zone 2
 - Class II, Zone 1 and Zone 2
 - Class II, Zone 2, gas group A, B, C, D

1区& 2区; 21区& 22区

zone1, zone2, zone21, zone22



CN2070 系列防爆熔断器
CN2070 Series Explosion-proof fuse

C 型号含义 Model meaning

	CN 2070 - □
□	防爆熔断器 Explosion-proof fuse
□	设计序号 Design number
□	额定电流 Rated current

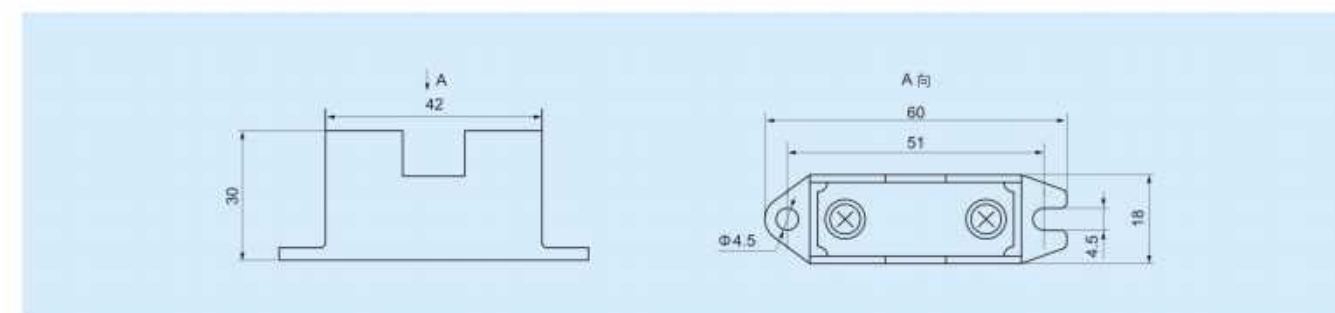
C 技术参数 Technical parameter

防爆熔断器 Explosion-proof fuse	CN2070 - □
防爆型式 Explosion proof type	Ex II2G Ex eb mb IIC Gb
执行标准 Executive standard	EN 60079-0, EN 60079-7, EN 60079-18 IEC 60079-0, IEC 60079-7, IEC 60079-18
壳体材质 Shell material	PC
额定电压 Rated voltage	230V AC, 400V AC, 500V AC
额定电流 Rated current	1A, 2A, 4A, 6A, 8A, 10A
周围环境温度 Ambient temperature	-20°C~+70°C

C 选配表 Selection table

型号 Model	额定电压(V) Rated voltage	额定电流(A) Rated current
CN2070 - 1	230 400 500	1
CN2070 - 2		2
CN2070 - 4		4
CN2070 - 6		6
CN2070 - 8		8
CN2070 - 10		10

C 外形示意图 (所有尺寸单位为mm) - 可修改 Outline diagram (all dimensions in mm) - can be modified





CN2080 系列防爆电位器

CN2080
Series Explosion-proof
potentiometer

IIC/Ex tb



G 产品概述 Product overview

- ◆ 防爆性能符合
 - CENELEC标准
 - IEC标准
 - NEC标准
- ◆ 适用于
 - 1区和2区
 - II类, 1区和2区
 - II类, 2区, 气体组别 A, B, C, D
- ◆ 采用隔爆结构, 外壳采用高强度聚碳酸酯注塑成型, 强度高, 防护性能好。
- ◆ 内装元件为绕线式电位器。
- ◆ Explosion-proof performance conforms to
 - CENELEC standard
 - IEC standard
 - NEC standard
- ◆ Suitable for
 - Zone 1 and Zone 2
 - Class II, Zone 1 and Zone 2
 - Class II, Zone 2, gas group A, B, C, D
- ◆ The explosion-proof structure is adopted, and the shell is made of high-strength polycarbonate injection molding, which has high strength and good protection performance.
- ◆ The built-in components are wire-wound potentiometers.

1区& 2区; 21区& 22区

zone1, zone2, zone21, zone22



CN2080 系列防爆电位器 CN2080 Series Explosion-proof potentiometer

G 型号含义 Model meaning

CN 2080 - □
□ □ □

- 防爆电位器 Explosion-proof potentiometer
- 设计序号 Design number
- 最大阻抗 Maximum impedance

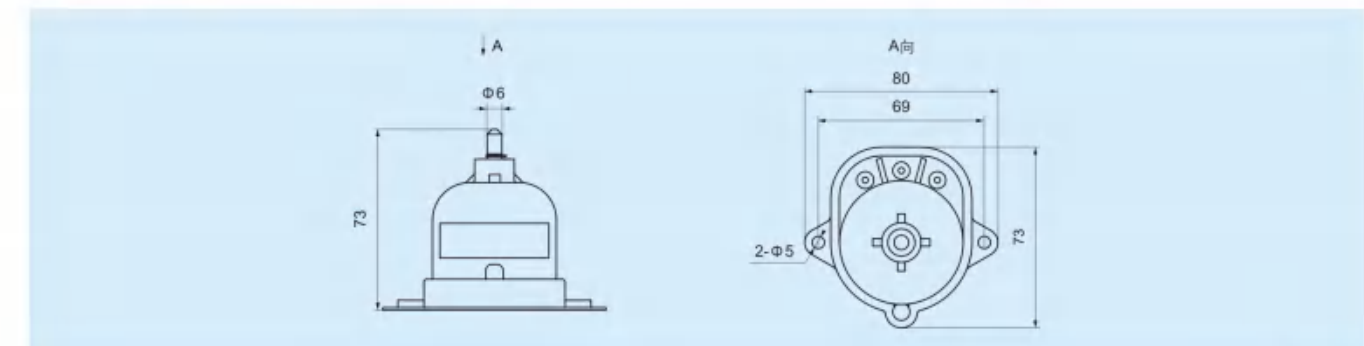
G 技术参数 Technical parameter

防爆电位器 Explosion-proof potentiometer	CN2080-□
防爆型式 Explosion proof type	Ex II2G Ex db eb IIC Gb
执行标准 Executive standard	EN 60079-0, EN 60079-1, EN 60079-7 IEC 60079-0, IEC 60079-1, IEC 60079-7
壳体材质 Shell material	PC
额定电压 Rated voltage	230V AC
额定功率 Rated power	1.5W, 3W
最小阻抗 Minimum impedance	10Ω (1.5W), 22Ω (3W)
最大阻抗 Maximum impedance	10kΩ (1.5W), 47kΩ (3W)
旋转角度 Rotation angle	300°
线性度 Linearity	±5%~±10%
阻值误差 Resistance error	±5%~±10%
旋转寿命 Rotation life	10,000 Circles
周围环境温度 Ambient temperature	-20°C~+70°C

G 选配表 Selection table

型号 Model	额定电压 (V) Rated voltage	额定功率 (W) Rated power	最小阻抗 (Ω) Minimum impedance	最大阻抗 (KΩ) Maximum impedance
CN2080 - □	230	1.5	10	10
CN2080 - □	230	3	22	47

G 外形示意图 (所有尺寸单位为mm) - 可修改 Outline diagram (all dimensions in mm) - can be modified





CN300- I
系列防爆照明开关
CN300-I
Series Explosion-proof
lighting switch

IIC/Ex tb



C 产品概述 Product overview

- ◆ 防爆性能符合
 - CENELEC标准
 - IEC标准
 - NEC标准
- ◆ 适用于
 - 1区和2区
 - 21区和22区
 - II类, 1区和2区
 - II类, 1区, 气体组别 A, B, C, D
- ◆ 无铜铝外壳, 表面喷塑。
- ◆ 有电源通断开关和双向控制开关两种功能类型供选择。
- ◆ Explosion-proof performance conforms to
 - CENELEC standard
 - IEC standard
 - NEC standard
- ◆ Suitable for
 - Zone 1 and Zone 2
 - Zone 21 and 22
 - Class II, Zone 1 and Zone 2
 - Class II, Zone 1, gas group A, B, C, D
- ◆ Copper-free aluminum housing with plastic-sprayed surface.
- ◆ There are two function types for selection, power on-off switch and bidirectional control switch.

1区& 2区; 21区& 22区

zone1, zone2, zone21, zone22

CN300- I 系列防爆照明开关
CN300-I Series Explosion-proof lighting switch

C 型号含义 Model meaning

CN300-I - □ □
□ □ □ □

- 防爆照明开关 Explosion-proof lighting switch
- 额定电流 Rated current(A)
- 开关类型 (B: 电源通断开关 D: 双向控制开关) Switch type (B: power on-off switch D: two-way control switch)

C 选配表 Selection table

型号/订货代号 Model/Order code	触点图 Contact map	相应开关 Corresponding switch																														
CN300- I -16B	<table border="1"> <tr><td></td><td>0</td><td>1</td><td>0</td><td>1</td></tr> <tr><td></td><td>0°</td><td>90°</td><td>180°</td><td>270°</td></tr> <tr><td>1°</td><td></td><td>x</td><td></td><td>x</td></tr> <tr><td>3°</td><td></td><td>x</td><td></td><td>x</td></tr> <tr><td>5°</td><td></td><td>x</td><td></td><td>x</td></tr> <tr><td>7°</td><td></td><td>x</td><td></td><td>x</td></tr> </table>		0	1	0	1		0°	90°	180°	270°	1°		x		x	3°		x		x	5°		x		x	7°		x		x	
	0	1	0	1																												
	0°	90°	180°	270°																												
1°		x		x																												
3°		x		x																												
5°		x		x																												
7°		x		x																												
CN300- I -25B	<table border="1"> <tr><td></td><td>0</td><td>1</td></tr> <tr><td></td><td>0°</td><td>90°</td></tr> <tr><td>1°</td><td></td><td>x</td></tr> <tr><td>3°</td><td></td><td>x</td></tr> <tr><td>5°</td><td></td><td>x</td></tr> <tr><td>7°</td><td></td><td>x</td></tr> </table>		0	1		0°	90°	1°		x	3°		x	5°		x	7°		x													
	0	1																														
	0°	90°																														
1°		x																														
3°		x																														
5°		x																														
7°		x																														
CN300- I -16D	<table border="1"> <tr><td></td><td>0</td><td>1</td></tr> <tr><td></td><td>0°</td><td>90°</td></tr> <tr><td>1°</td><td></td><td>x</td></tr> <tr><td>3°</td><td></td><td>x</td></tr> <tr><td>5°</td><td></td><td>x</td></tr> <tr><td>7°</td><td></td><td>x</td></tr> </table>		0	1		0°	90°	1°		x	3°		x	5°		x	7°		x													
	0	1																														
	0°	90°																														
1°		x																														
3°		x																														
5°		x																														
7°		x																														
CN300- I -25D	<table border="1"> <tr><td></td><td>0</td><td>1</td></tr> <tr><td></td><td>0°</td><td>90°</td></tr> <tr><td>1°</td><td></td><td>x</td></tr> <tr><td>3°</td><td></td><td>x</td></tr> <tr><td>5°</td><td></td><td>x</td></tr> <tr><td>7°</td><td></td><td>x</td></tr> </table>		0	1		0°	90°	1°		x	3°		x	5°		x	7°		x													
	0	1																														
	0°	90°																														
1°		x																														
3°		x																														
5°		x																														
7°		x																														

C 备件 Spare parts

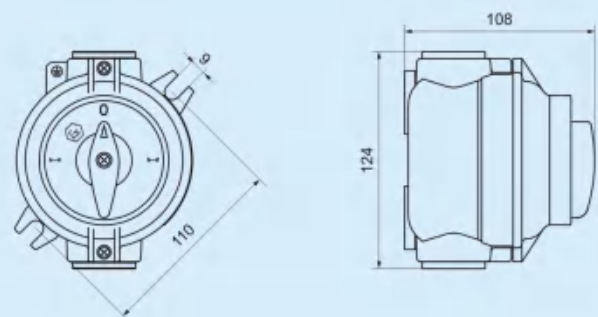
内装开关 Built-in switch	额定电压/电流 Rated voltage/current
	250V/16A
	250V/25A
	250V/16A
	250V/25A



G 技术参数 Technical parameter

防爆照明开关 Explosion-proof lighting switch	CN300- I -□□
防爆型式 Explosion proof type	Ex II2G Ex db eb IIC T6 Gb
气体防爆型式 Gas explosion proof type	Ex II2D Ex tb IIIC T80°C Db
粉尘防爆型式 Dust explosion proof type	
执行标准 Executive standard	GB/T 3836.1, GB/T 3836.2, GB/T 3836.3, GB/T 3836.31 EN 60079-0, EN 60079-1, EN 60079-31, IEC 60079-0, IEC 60079-1, IEC 60079-31
壳体材质 Shell material	无铜铝, 表面喷塑 Copper-free aluminum, plastic sprayed on the surface
壳体颜色 Shell color	窗灰色 Window gray
开关功能 Switch function	电源通断开关和双向控制开关两种功能类型 Power on-off switch and two-way control switch two functional types
外露紧固件 Exposed fasteners	不锈钢 Stainless steel
额定电压 Rated voltage	Max. 250V AC
额定电流 Rated current	16A, 25A
防护等级 Protection level	IP65, IP66
周围环境温度 Ambient temperature	-60°C ~ +60°C
接线 Wiring	3 x (2.5~4)mm ²
电缆引入口 Cable entry	标准 2 x M25 x 1.5堵头 Standard 2 x M25 x 1.5 Plugging 特殊 2 x G3/4"堵头或 2 x NPT3/4"堵头 Special 2 x G3/4" Plugging or 2 x NPT3/4" Plugging
电缆引入装置(可选) Cable entry device (optional)	推荐使用 Recommend to use CN970-II (Ex db)或or CN970-III (Ex db)。

G 外形示意图 (所有尺寸单位为mm) - 可修改 Outline diagram (all dimension in mm) - can be modified



CN310 系列防爆行程开关
CN310 Series Explosion-proof travel switch

CN310
系列防爆行程开关
CN310
Series Explosion-proof
travel switch

IIC/Ex tb



G 产品概述 Product overview

- ◆ 防爆性能符合
 - CENELEC标准
 - IEC标准
- ◆ 适用于
 - 1区和2区
 - 21区和22区
- ◆ 本产品有D、S、Z、L、N 5种类型供选择。
- ◆ 增安型外壳，内装防爆元件。
- ◆ 无铜铝外壳，外表面喷塑。
- ◆ Explosion-proof performance conforms to
 - CENELEC standard
 - IEC standard
- ◆ Suitable for
 - Zone 1 and Zone 2
 - Zone 21 and 22
- ◆ This product has 5 types of D, S, Z, L, N for selection.
- ◆ Increased safety enclosure with explosion-proof components inside.
- ◆ Copper-free aluminum housing with plastic-sprayed outer surface.

1区& 2区; 21区& 22区
zone1, zone2, zone21, zone22



G 型号含义 Model meaning

CN310 - □	
□	□
□ 防爆行程开关 Explosion-proof limit switch	
□ 类型 Types of	
D: 单摇臂式 Single rocker type	
S: 双摇臂式 Double rocker type	
Z: 柱塞式 Plunger	
L: 滚轮柱塞式 Roller plunger	
N: 挠性触头式 Flexible contact type	

G 选配表 Selection table

型号 Model	额定电压(V) Rated voltage	额定电流(A) Rated current	触点类型 Contact type	订货代号 Order code
CN310-D	380V AC	0.79	1NO+1NC	40001
	250V AC	1.5	1NO+1NC	40002
	220V DC	0.1	1NO+1NC	40003
CN310-S	380V AC	0.79	1NO+1NC	40004
	220V AC	1.5	1NO+1NC	40005
CN310-Z	380V AC	0.79	1NO+1NC	40007
	250V AC	1.5	1NO+1NC	40008
CN310-L	220V DC	0.1	1NO+1NC	40009
	380V AC	0.79	1NO+1NC	40010
	250V AC	1.5	1NO+1NC	40011
CN310-N	220V DC	0.1	1NO+1NC	40012
	380V AC	0.79	1NO+1NC	40013
	250V AC	1.5	1NO+1NC	40014
CN310-K	220V DC	0.1	1NO+1NC	40015
	380V AC	0.79	1NO+1NC	40016
	250V AC	1.5	1NO+1NC	40017
	220V DC	0.1	1NO+1NC	40018

G 技术参数 Technical parameter

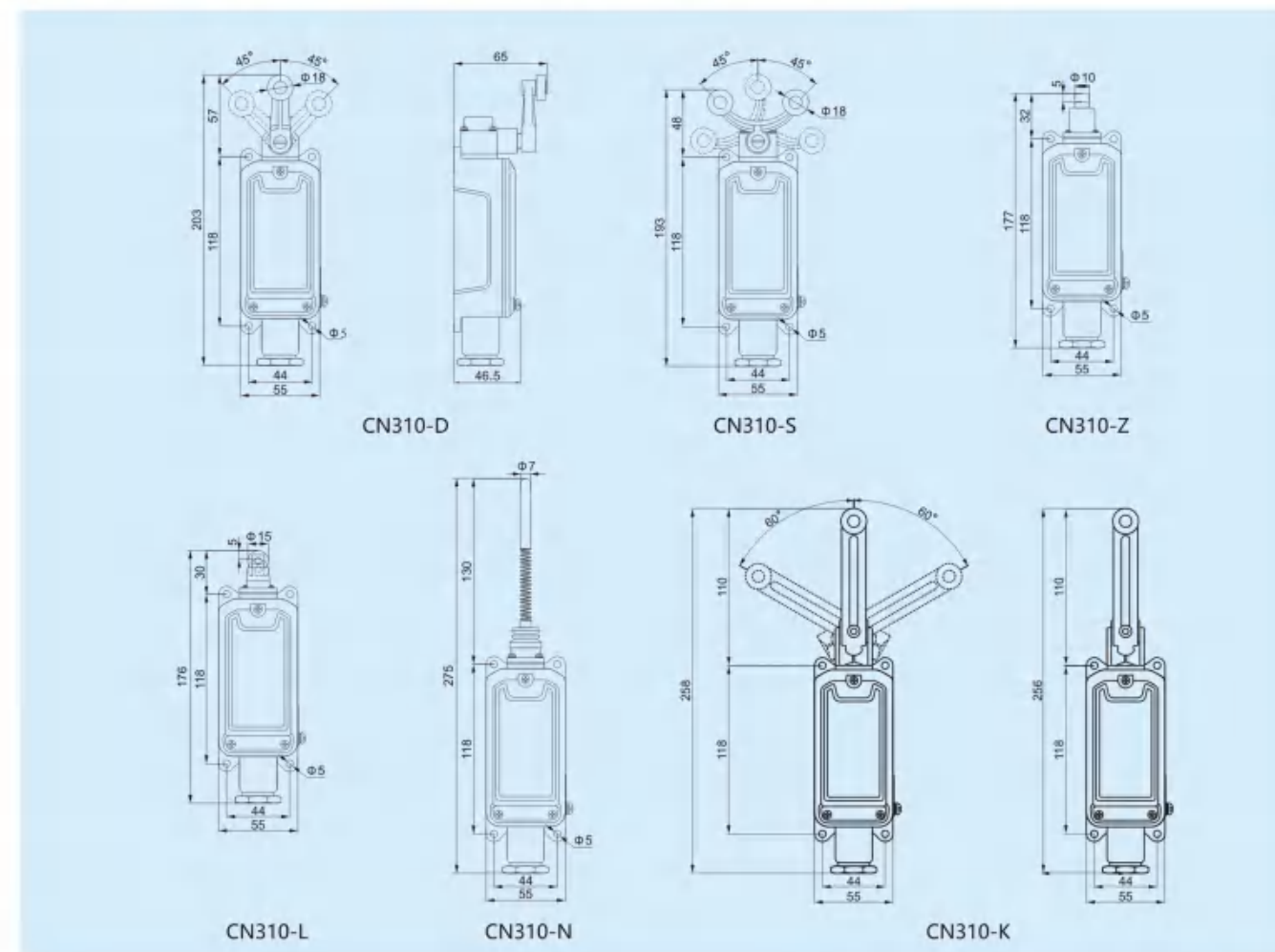
防爆行程开关 Explosion-proof limit switch	CN310-□
防爆型式 Explosion proof type	
气体防爆型式 Gas explosion proof type	Ex II2G Ex db eb IIC T6 Gb
粉尘防爆型式 Dust explosion proof type	Ex II2D Ex tb IIIC T80°C Db
执行标准 Executive standard	GB/T 3836.1, GB/T 3836.2, GB/T 3836.3, GB/T 3836.31 EN 60079-0, EN 60079-1, EN 60079-7, EN 60079-31 IEC 60079-0, IEC 60079-1, IEC 60079-7, IEC 60079-31

CN310 系列防爆行程开关
CN310 Series Explosion-proof travel switch

G 技术参数 Technical parameter

壳体材质 Shell material	无铜铝, 表面喷塑 Copper-free aluminum, plastic sprayed on the surface			
壳体颜色 Shell color	窗灰色 Window gray			
外露紧固件 Exposed fasteners	不锈钢 Stainless steel			
触点类型 Contact type	1NO+1NC			
摇臂摆角或行程 Rocker arm swing angle or stroke	CN310-D	CN310-S	CN310-Z	CN310-L
	45°	45°	5mm	5mm
额定电压 Rated voltage	380V AC	250V AC	220V DC	
额定电流 Rated current	0.79A	1.5A	0.1A	
防护等级 Protection level	IP65、IP66			
周围环境温度 Ambient temperature	-20°C~+55°C			
电缆入口 Cable entry	1 x G1/2"			
电缆外径 Cable outer diameter	Φ6.5~Φ10(mm)			

G 外形示意图 (所有尺寸单位为mm) - 可修改 Outline diagram (all dimension in mm)-can be modified





CN320
系列防爆马达保护装置
(Ex db IIB)
CN320
Series Explosion-proof motor
protection device
(Ex db IIB)

IIB/Ex tb



C 产品概述 Product overview

- ◆ 防爆性能符合
 - CENELEC标准
 - IEC标准
 - NEC标准
- ◆ 适用于 1区和2区 21区和22区 II类, 1区和2区 II类, 1区, 气体级别 C, D
- ◆ 本系列产品按适用气体类型IIB产品。
- ◆ 无铜铝外壳, 表面喷塑。
- ◆ 内装小型断路器 (MCB), 塑壳断路器 (MCCB)。
- ◆ 可加装漏电保护功能。
- ◆ Explosion-proof performance conforms to
 - CENELEC standard
 - IEC standard
 - NEC standard
- ◆ Suitable for zone 1 and zone 2 zone 21 and zone 22 class II, zone 1 and zone 2 class II, zone 1, gas class C, D
- ◆ This series of products are based on applicable gas type IIB products.
- ◆ Copper-free aluminum housing with plastic-sprayed surface.
- ◆ Built-in miniature circuit breaker (MCB), molded case circuit breaker (MCCB).
- ◆ The leakage protection function can be installed.

C 订货须知 Ordering instructions

1. 用户订货时应严格按照“型号含义”详细注明马达开关的各项参数。
2. 订货时请注明防爆标志。
3. 有特殊要求(如进出线口规格、方向), 请注明。
1. When placing an order, the user should specify the parameters of the motor switch in strict accordance with the "model meaning".
2. Please indicate the explosion-proof mark when ordering.
3. There are special requirements (such as the specifications and direction of the inlet and outlet ports), please specify.

1区& 2区; 21区& 22区

zone1, zone2, zone21, zone22

CN320 系列防爆马达保护装置(Ex db IIB)
CN320 Series Explosion-proof motor protection device(Ex db IIB)

G 型号含义 Model meaning

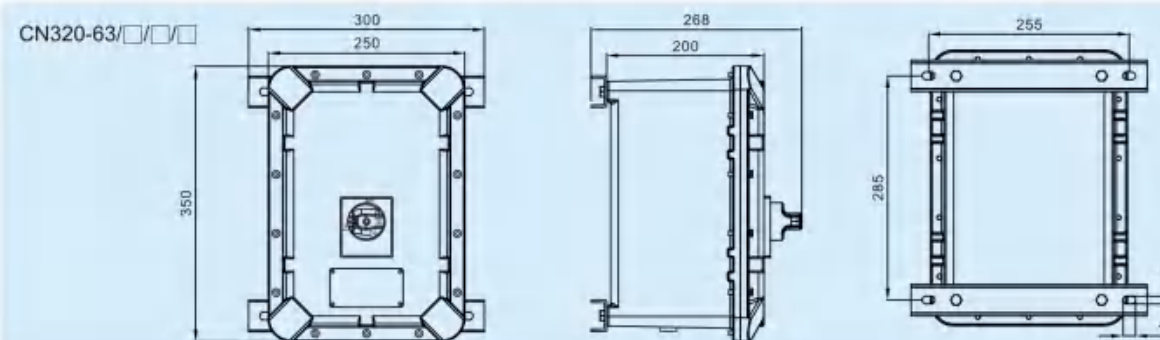
CN320 - □ / □ / □ / □
□ □ □ □ □

- 防爆马达保护装置 Explosion-proof motor protection device
- 壳体类型 Shell type (63、160、250)
- 极数 Number of poles (1P、2P、3P、4P)
- 额定电流 Rated current (A)
- L: 带漏电保护 (不装不注) With leakage protection (no installation or note)

G 技术参数 Technical parameter

防爆马达保护装置 Explosion-proof motor protection device	CN320-63/□/□/□
防爆型式 Explosion proof type	Ex IIB G Ex db IIB T6 Gb
气体防爆型式 Gas explosion proof type	Ex IIB D Ex tb IIIC T80°C Db
粉尘防爆型式 Dust explosion proof type	
执行标准 Executive standard	GB/T 3836.1, GB/T 3836.2, GB/T 3836.31 EN 60079-0, EN 60079-1, EN 60079-31, IEC 60079-0, IEC 60079-1, IEC 60079-31
壳体材质 Shell material	无铜铝, 表面喷塑 Copper-free aluminum, plastic sprayed on the surface
壳体颜色 Shell color	窗灰色 Window gray
外露紧固件 Exposed fasteners	不锈钢 Stainless steel
断路器 Breaker	小型断路器 Mini circuit breaker (MCB)
最大工作电压 Maximum working voltage	440V AC 50/60Hz
额定电压 Rated voltage	1P/230V AC, 2P/3P/4P/400V AC 50/60Hz
额定电流 Rated current	1A, 2A, 4A, 6A, 10A, 16A, 20A, 25A, 32A, 40A, 50A, 63A
极数 Number of poles	1P, 2P, 3P, 4P
分断能力 Breaking capacity	6kA, 10kA, 15kA
脱扣特征 Tripping characteristics	瞬时脱扣范围 Instantaneous trip range (5~10)In或(7~10)In或(10~14)In
冲击耐受电压 Impulse withstand voltage	6kV
防护等级 Protection level	IP65, IP66
内外接地 Grounding inside and outside	M6/M8
周围环境温度 Ambient temperature	-60°C~+60°C
电缆引入入口 Cable entry	标准 Standard: 1~16A: 2 x M25 x 1.5 堵头 Plugging 20~32A: 2 x M32 x 1.5 堵头 Plugging 40~63A: 2 x M40 x 1.5 堵头 Plugging
电缆引入装置(可选) Cable entry device(optional)	推荐使用 Recommend to use CN970-II(Ex db)或CN970-III(Ex db)
进线口方向 Inlet direction	下进下出 Bottom in and bottom out
漏电保护功能 Leakage protection function	可按要求增加漏电保护功能 The leakage protection function can be added as required

G 外形示意图 (所有尺寸单位为mm) - 可修改 Outline diagram (all dimension in mm) - can be modified

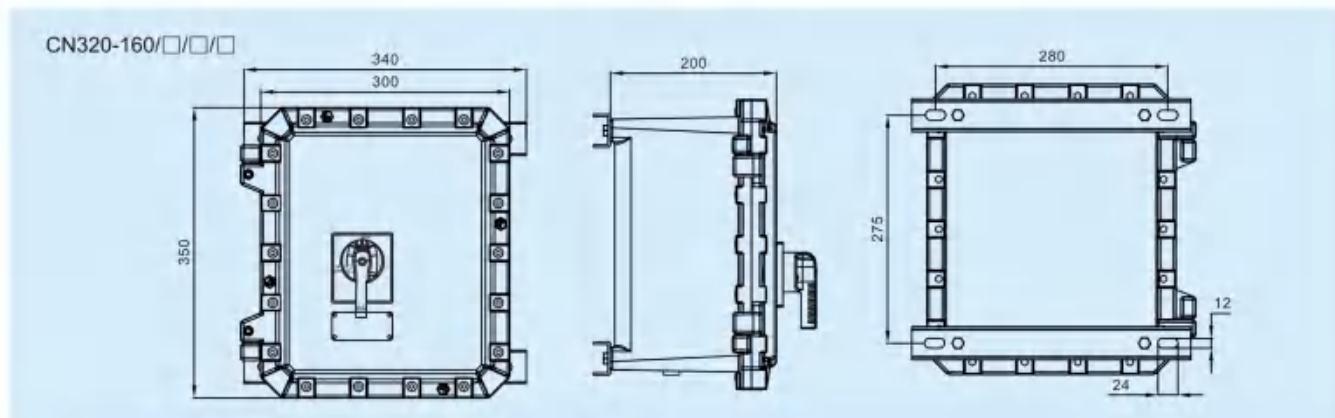




G 技术参数 Technical parameter

防爆马达保护装置 Explosion-proof motor protection device	CN320-160/□/□/□
防爆型式 Explosion proof type	II2G Ex db IIB T6 Gb
气体防爆型式 Gas explosion proof type	II2D Ex tb IIIC T80°C Db
粉尘防爆型式 Dust explosion proof type	
执行标准 Executive standard	GB/T 3836.1, GB/T 3836.2, GB/T 3836.31 EN 60079-0, EN 60079-1, EN 60079-31, IEC 60079-0, IEC 60079-1, IEC 60079-31
壳体材质 Shell material	无铜铝, 表面喷塑 Copper-free aluminum, plastic sprayed on the surface
壳体颜色 Shell color	窗灰色 Window gray
外露紧固件 Exposed fasteners	不锈钢 Stainless steel
断路器 Breaker	塑壳断路器 Molded shell circuit breaker (MCCB)
最大工作电压 Maximum working voltage	690V AC 50/60Hz 500V DC
额定电流 Rated current	Max. 160A
极数 Number of poles	3P、4P
分断能力 Breaking capacity	380/415V AC 50/60Hz, 36kA/50kA / 440V AC 50/60Hz, 30kA/45kA
冲击耐受电压 Impulse withstand voltage	8kV
脱扣器类型 Type of release	热磁式 Thermal magnetic
防护等级 Protection level	IP65、IP66
内外接地 Grounding inside and outside	M6/M8
周围环境温度 Ambient temperature	-60°C~+60°C
电缆引入入口 Cable entry	标准 Standard: 80~100A: 2 x M50 x 1.5 堵头 Plugging 125~160A: 2 x M63 x 1.5 堵头 Plugging
电缆引入装置(可选) Cable entry device(optional)	推荐使用 Recommend to use CN970-II (Ex db)或or CN970-III (Ex db)
进线口方向 Inlet direction	下进下出 Bottom in and bottom out
漏电保护功能 Leakage protection function	可按要求增加漏电保护功能 The leakage protection function can be added as required.

G 外形示意图 (所有尺寸单位为mm) - 可修改 Outline diagram (all dimension in mm)-can be modified

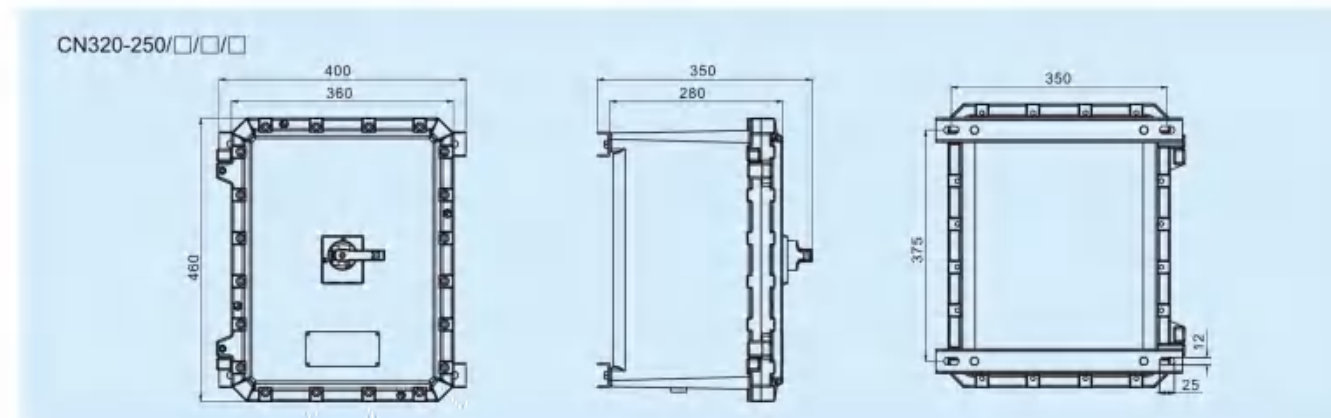


CN320 系列防爆马达保护装置(Ex db IIB)
CN320 Series Explosion-proof motor protection device(Ex db IIB)

G 技术参数 Technical parameter

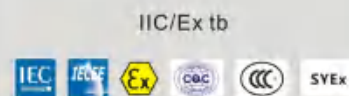
防爆马达保护装置 Explosion-proof motor protection device	CN320-250/□/□/□
防爆型式 Explosion proof type	II2G Ex db IIB T6 Gb
气体防爆型式 Gas explosion proof type	II2D Ex tb IIIC T80°C Db
粉尘防爆型式 Dust explosion proof type	
执行标准 Executive standard	GB/T 3836.1, GB/T 3836.2, GB/T 3836.31 EN 60079-0, EN 60079-1, EN 60079-31, IEC 60079-0, IEC 60079-1, IEC 60079-31
壳体材质 Shell material	无铜铝, 表面喷塑 Copper-free aluminum, plastic sprayed on the surface
壳体颜色 Shell color	窗灰色 Window gray
外露紧固件 Exposed fasteners	不锈钢 Stainless steel
断路器 Breaker	塑壳断路器 Molded shell circuit breaker (MCCB)
最大工作电压 Maximum working voltage	690V AC 50/60Hz 500V DC
额定电流 Rated current	Max. 250A
极数 Number of poles	3P、4P
分断能力 Breaking capacity	380/415V AC 50/60Hz, 36kA/50kA / 440V AC 50/60Hz, 25kA/40kA
冲击耐受电压 Impulse withstand voltage	8kV
脱扣器类型 Type of release	热磁式 Thermal magnetic
防护等级 Protection level	IP66
内外接地 Grounding inside and outside	M6/M8
周围环境温度 Ambient temperature	-60°C~+60°C
电缆引入入口 Cable entry	标准 Standard 2 x M63 x 1.5 堵头 Plugging
电缆引入装置(可选) Cable entry device(optional)	推荐使用 Recommend to use CN970-II (Ex db)或or CN970-III (Ex db)
进线口方向 Inlet direction	下进下出 Bottom in and bottom out
漏电保护功能 Leakage protection function	可按要求增加漏电保护功能 The leakage protection function can be added as required
备注 Remark	当用户要求的额定电流大于250A时, 可按照用户要求进行订制。 When the rated current required by the user is greater than 250A, it can be customized according to the user's requirements.

G 外形示意图 (所有尺寸单位为mm) - 可修改 Outline diagram (all dimension in mm)-can be modified





CN320
系列防爆马达保护装置
(Ex db IIC)
CN320
Series Explosion-proof motor
protection device
(Ex db IIC)



G 产品概述 Product overview

- ◆ 防爆性能符合
 - CENELEC标准
 - IEC标准
 - NEC标准
- ◆ 适用于 1区和2区 21区和22区 II类, 1区和2区 II类, 1区, 气体级别 A, B, C, D
- ◆ 本系列产品按适用气体类型IIC产品。
- ◆ 无铜铝外壳, 表面喷塑。
- ◆ 内装小型断路器 (MCB), 塑壳断路器 (MCCB)。
- ◆ 可加装漏电保护功能。
- ◆ Explosion-proof performance conforms to
 - CENELEC standard
 - IEC standard
 - NEC standard
- ◆ Suitable for zone 1 and zone 2 zone 21 and zone 22 class II, zone 1 and zone 2 class II, zone 1, gas level A, B, C, D
- ◆ This series of products are based on applicable gas type IIC products.
- ◆ Copper-free aluminum housing with plastic-sprayed surface.
- ◆ Built-in miniature circuit breaker (MCB), molded case circuit breaker (MCCB).
- ◆ The leakage protection function can be installed.

G 订货须知 Ordering instructions

1. 用户订货时应严格按照“型号含义”详细注明马达开关的各项参数。
 2. 订货时请注明防爆标志。
 3. 有特殊要求(如进出线口规格、方向), 请注明。
1. When placing an order, the user should specify the parameters of the motor switch in strict accordance with the "model meaning".
 2. Please indicate the explosion-proof mark when ordering.
 3. There are special requirements (such as the specifications and direction of the inlet and outlet ports), please specify.

1区& 2区; 21区& 22区

zone1, zone2, zone21, zone22

CN320 系列防爆马达保护装置(Ex db IIC)
CN320 Series Explosion-proof motor protection device(Ex db IIC)

G 型号含义 Model meaning

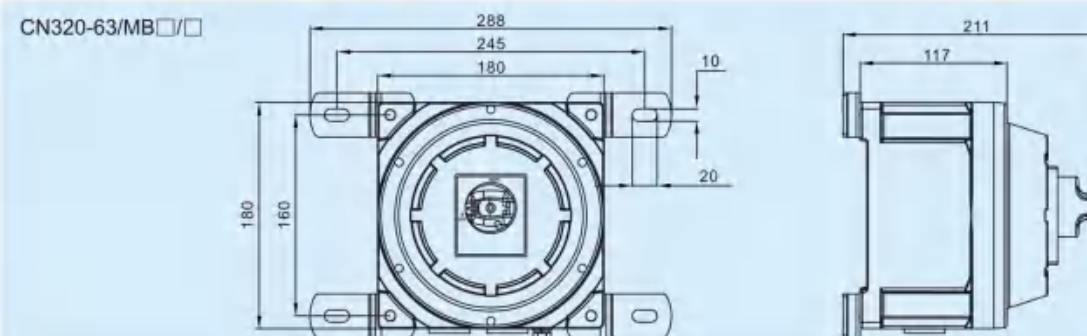
CN320 - □ / □ / □ / □
□ □ □ □ □

- 防爆马达保护装置 Explosion-proof motor protection device
- 壳体类型 Shell type(63、160、250)
- 功能代号 Function code
MB: 配电开关 1: 开关数量1 4: 开关数量4 6: 开关数量6 Distribution switch 1: Number of switches 1 4: Number of switches 4 6: Number of switches 6
MS: 马达启动 Motor start
- 额定电流 Rated current (A)
- B: 电流表(可选) Ammeter (optional)

G 技术参数 Technical parameter

防爆马达保护装置 Explosion-proof motor protection device	CN320-63/MB/□/□
防爆型式 Explosion proof type	Ex II2G Ex db IIC T6 Gb
气体防爆型式 Gas explosion proof type	Ex II2D Ex tb IIIC T80°C Db
粉尘防爆型式 Dust explosion proof type	
执行标准 Executive standard	GB/T 3836.1, GB/T 3836.2, GB/T 3836.31 EN 60079-0, EN 60079-1, EN 60079-31, IEC 60079-0, IEC 60079-1, IEC 60079-31
壳体材质 Shell material	无铜铝, 表面喷塑 Copper-free aluminum, plastic sprayed on the surface
壳体颜色 Shell color	窗灰色 Window gray
外露紧固件 Exposed fasteners	不锈钢 Stainless steel
断路器 Breaker	小型断路器 Mini circuit breaker (MCB)
最大工作电压 Maximum working voltage	440V AC 50/60Hz
额定电压 Rated voltage	1P/230V AC, 2P/3P/4P/400V AC 50/60Hz
额定电流 Rated current	1A, 2A, 4A, 6A, 10A, 16A, 20A, 25A, 32A, 40A, 50A, 63A
极数 Number of poles	1P, 2P, 3P, 4P
分断能力 Breaking capacity	6kA, 10kA, 15kA
冲击耐受电压 Impulse withstand voltage	6kV
脱扣特征 Tripping characteristics	瞬时脱扣范围 Instantaneous trip range (5~10)In或(7~10)In或(10~14)In
防护等级 Protection level	IP65, IP66
内外接地 Grounding inside and outside	M6/M8
周围环境温度 Ambient temperature	-60°C~+55°C
电缆入口 Cable entry	标准 Standard: 1~16A: 2 x M25 x 1.5 堵头 Plugging 20~32A: 2 x M32 x 1.5 堵头 Plugging 40~63A: 2 x M40 x 1.5 堵头 Plugging
电缆引入装置(可选) Cable entry device(optional)	推荐使用 Recommend to use CN970-II(Ex db)或CN970-III(Ex db)
进线口方向 Inlet direction	下进下出 Bottom in and bottom out
漏电保护功能 Leakage protection function	可按要求增加漏电保护功能 The leakage protection function can be added as required

G 外形示意图 (所有尺寸单位为mm) - 可修改 Outline diagram (all dimension in mm)-can be modified

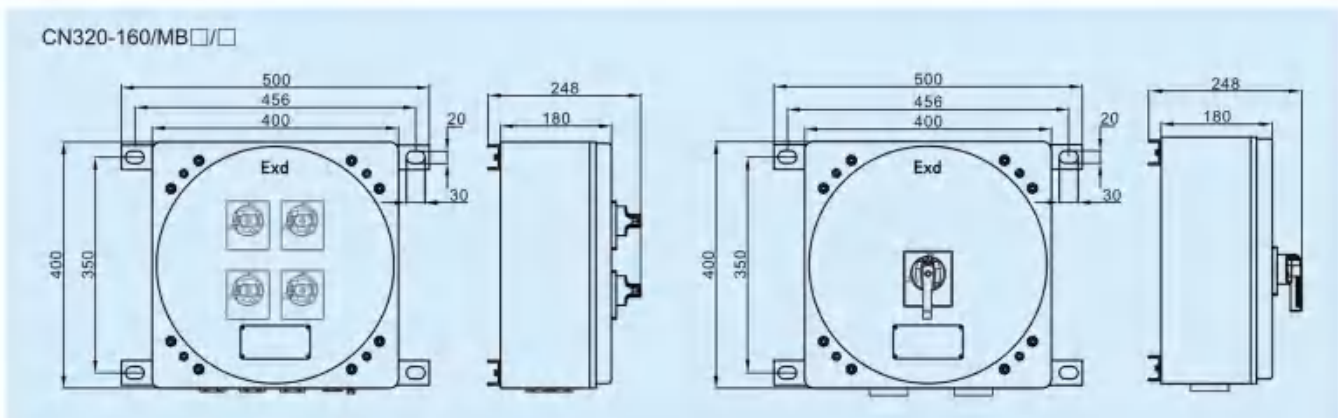




G 技术参数 Technical parameter

防爆马达保护装置 Explosion-proof motor protection device	CN320-160/MB□/□
防爆型式 Explosion proof type	Ex II2G Ex db IIC T6 Gb
气体防爆型式 Gas explosion proof type	Ex II2D Ex tb IIIC T80°C Db
粉尘防爆型式 Dust explosion proof type	
执行标准 Executive standard	GB/T 3836.1, GB/T 3836.2, GB/T 3836.31 EN 60079-0, EN 60079-1, EN 60079-31, IEC 60079-0, IEC 60079-1, IEC 60079-31
壳体材质 Shell material	无铜铝, 表面喷塑 Copper-free aluminum, plastic sprayed on the surface
壳体颜色 Shell color	窗灰色 Window gray
外露紧固件 Exposed fasteners	不锈钢 Stainless steel
断路器 Breaker	MCB(小型断路器 Miniature circuit breaker); MCCB(塑壳断路器 Molded shell circuit breaker)
最大工作电压 Maximum working voltage	MCB: 440V AC 50/60Hz; MCCB: 690V AC 50/60Hz; 500V DC
额定电压 Rated voltage	MCB: 1P/230V AC, 2P/3P/4P/400V AC 50/60Hz
额定电流 Rated current	MCB: Max.50A(1, 2, 4, 6, 10, 16, 20, 25, 32, 40, 50) MCCB: 80A, 100A, 125A, 160A
极数 Number of poles	MCB: 1P, 2P, 3P, 4P MCCB: 3P, 4P
分断能力 Breaking capacity	MCB: 6kA, 10kA, 15kA MCCB: 380/415V AC 50/60Hz, 36kA/50kA; 440V AC 50/60Hz, 30kA/45kA
冲击耐受电压 Impulse withstand voltage	MCB: 6kV; MCCB: 8kV
脱扣器类型 Type of release	热磁式 Thermal magnetic
防护等级 Protection level	IP65, IP66
内外接地 Grounding inside and outside	M6/M8
周围环境温度 Ambient temperature	-60°C~+55°C
电缆引入口 Cable entry	标准 Standard: 4 x 1~16A: 1 x M40 x 1.5 + 4 x M25 x 1.5 堵头 Plugging 4 x 20~32A: 1 x M50 x 1.5 + 4 x M32 x 1.5 堵头 Plugging 4 x 40~63A: 1 x M63 x 1.5 + 4 x M40 x 1.5 堵头 Plugging 1 x 80~100A: 2 x M50 x 1.5 堵头 Plugging 1 x 125~160A: 2 x M63 x 1.5 堵头 Plugging
电缆引入装置(可选) Cable entry device(optional)	推荐使用 Recommend to use CN970-II (Ex db)或or CN970-III (Ex db)
进线口方向 Inlet direction	下进下出 Bottom in and bottom out
漏电保护功能 Leakage protection function	可按要求增加漏电保护功能 The leakage protection function can be added as required

G 外形示意图 (所有尺寸单位为mm) - 可修改 Outline diagram (all dimension in mm) - can be modified



CN320 系列防爆马达保护装置(Ex db IIC)
CN320 Series Explosion-proof motor protection device(Ex db IIC)

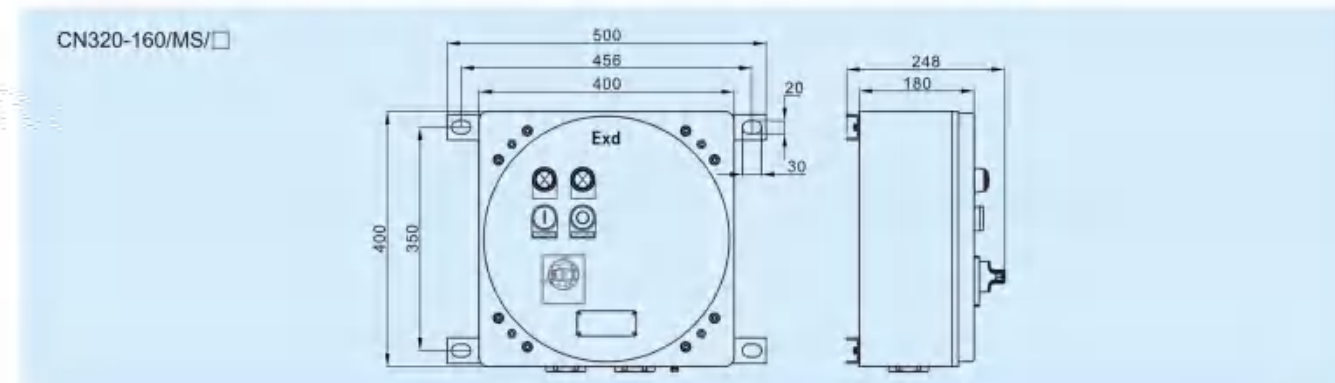
G 技术参数 Technical parameter

防爆马达保护装置 Explosion-proof motor protection device	CN320-160/MS/□
防爆型式 Explosion proof type	Ex II2G Ex db IIC T6 Gb
气体防爆型式 Gas explosion proof type	Ex II2D Ex tb IIIC T80°C Db
粉尘防爆型式 Dust explosion proof type	
执行标准 Executive standard	GB/T 3836.1, GB/T 3836.2, GB/T 3836.31 EN 60079-0, EN 60079-1, EN 60079-31, IEC 60079-0, IEC 60079-1, IEC 60079-31
壳体材质 Shell material	无铜铝, 表面喷塑 Copper-free aluminum, plastic sprayed on the surface
壳体颜色 Shell color	窗灰色 Window gray
外露紧固件 Exposed fasteners	不锈钢 Stainless steel
内装元件 Built-in components	小型断路器 Mini circuit breaker (MCB) 交流接触器 AC contactor 热过载继电器 Thermal overload relay 指示灯、按钮 Indicator light, button
额定电压 Rated voltage	380/440V AC 50/60Hz
防护等级 Protection level	IP65, IP66
内外接地 Grounding inside and outside	M6/M8
周围环境温度 Ambient temperature	-60°C~+55°C
电缆引入口 Cable entry	标准 Standard M□ x 1.5 堵头 Plugging; 详见下表 See the table below for details
电缆引入装置(可选) Cable entry device(optional)	推荐使用 Recommend to use CN970-II(Ex db)或or CN970-III(Ex db)
进线口方向 Inlet direction	下进下出 Bottom in and bottom out

G 选配表 Selection table

型号 Model	控制电机功率(kW) Control motor power	断路器额定电流(A) Rated current of circuit breaker	热继电器整定电流调节范围(A) Thermal relay setting current adjustment range	接触器额定电流(A) Contactor rated current	电缆引入口规格 Cable entry specifications
CN320-160/MS/16	4	16	7~10, Ie=8.5	9	2 x M25 x 1.5
CN320-160/MS/20	5.5	20	9~13, Ie=11	12	2 x M25 x 1.5
CN320-160/MS/25	7.5	25	12~18, Ie=16	18	2 x M32 x 1.5
CN320-160/MS/32	11	32	16~24, Ie=23	25	2 x M32 x 1.5
CN320-160/MS/40	15	40	23~32, Ie=30	32	2 x M32 x 1.5
CN320-160/MS/50	18.5	50	30~38, Ie=36	40	2 x M40 x 1.5
CN320-160/MS/63	22	63	37~50, Ie=46	50	2 x M40 x 1.5

G 外形示意图 (所有尺寸单位为mm) - 可修改 Outline diagram (all dimension in mm) - can be modified

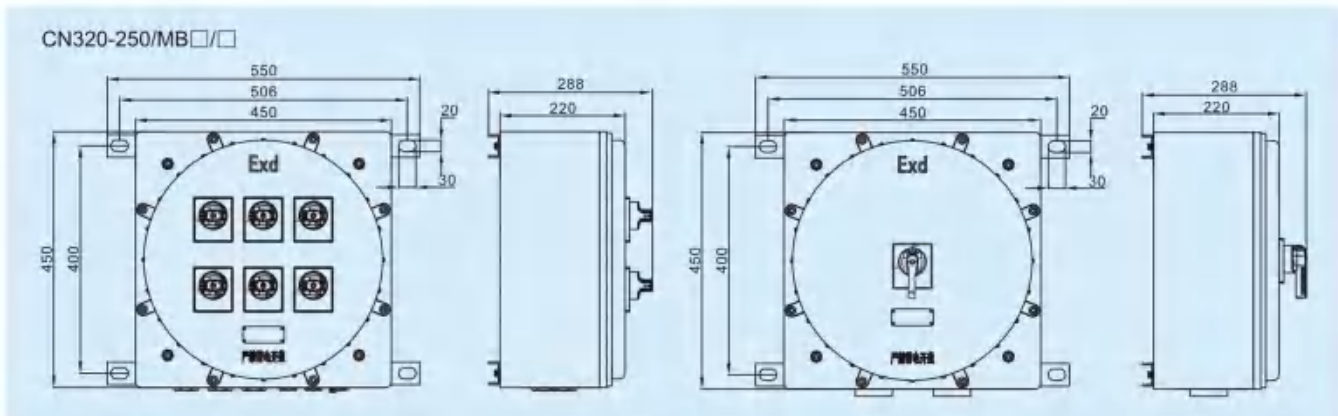




G 技术参数 Technical parameter

防爆马达保护装置 Explosion-proof motor protection device	CN320-250/MB□/□
防爆型式 Explosion proof type	Ex II2G Ex db IIC T6 Gb
气体防爆型式 Gas explosion proof type	Ex II2D Ex tb IIIC T80°C Db
粉尘防爆型式 Dust explosion proof type	
执行标准 Executive standard	GB/T 3836.1, GB/T 3836.2, GB/T 3836.31 EN 60079-0, EN 60079-1, EN 60079-31, IEC 60079-0, IEC 60079-1, IEC 60079-31
壳体材质 Shell material	无铜铝, 表面喷塑 Copper-free aluminum, plastic sprayed on the surface
壳体颜色 Shell color	窗灰色 Window gray
外露紧固件 Exposed fasteners	不锈钢 Stainless steel
断路器 Breaker	MCB(小型断路器 Miniature circuit breaker); MCCB(塑壳断路器 Molded shell circuit breaker)
最大工作电压 Maximum working voltage	MCB: 440V AC 50/60Hz; MCCB: 690V AC 50/60Hz; 500V DC
额定电压 Rated voltage	MCB: 1P/230V AC, 2P/3P/4P/400V AC 50/60Hz
额定电流 Rated current	MCB: Max.50A(1, 2, 4, 6, 10, 16, 20, 25, 32, 40, 50) MCCB: 200A, 250A
极数 Number of poles	MCB: 1P, 2P, 3P, 4P MCCB: 3P, 4P
分断能力 Breaking capacity	MCB: 6kA, 10kA, 15kA MCCB: 380/415V AC 50/60Hz, 36kA/50kA; 440V AC 50/60Hz, 30kA/45kA
冲击耐受电压 Impulse withstand voltage	MCB: 6kV; MCCB: 8kV
脱扣器类型 Type of release	热磁式 Thermal magnetic
防护等级 Protection level	IP65, IP66
内外接地 Grounding inside and outside	M6/M8
周围环境温度 Ambient temperature	-60°C~+55°C
电缆引入入口 Cable entry	标准 Standard: 6 x 1~16A: 1 x M40 x 1.5 + 6 x M25 x 1.5 堵头 Plugging 6 x 20~32A: 1 x M50 x 1.5 + 6 x M32 x 1.5 堵头 Plugging 6 x 40~63A: 1 x M63 x 1.5 + 6 x M40 x 1.5 堵头 Plugging 1 x 200~250A: 2 x M63 x 1.5 堵头 Plugging
电缆引入装置(可选) Cable entry device(optional)	推荐使用 Recommend to use CN970-II (Ex db)或or CN970-III (Ex db)
进线口方向 Inlet direction	下进下出 Bottom in and bottom out
漏电保护功能 Leakage protection function	可按要求增加漏电保护功能 The leakage protection function can be added as required.

G 外形示意图 (所有尺寸单位为mm) - 可修改 Outline diagram (all dimension in mm)-can be modified



CN320 系列防爆马达保护装置(Ex db IIC)
CN320 Series Explosion-proof motor protection device(Ex db IIC)

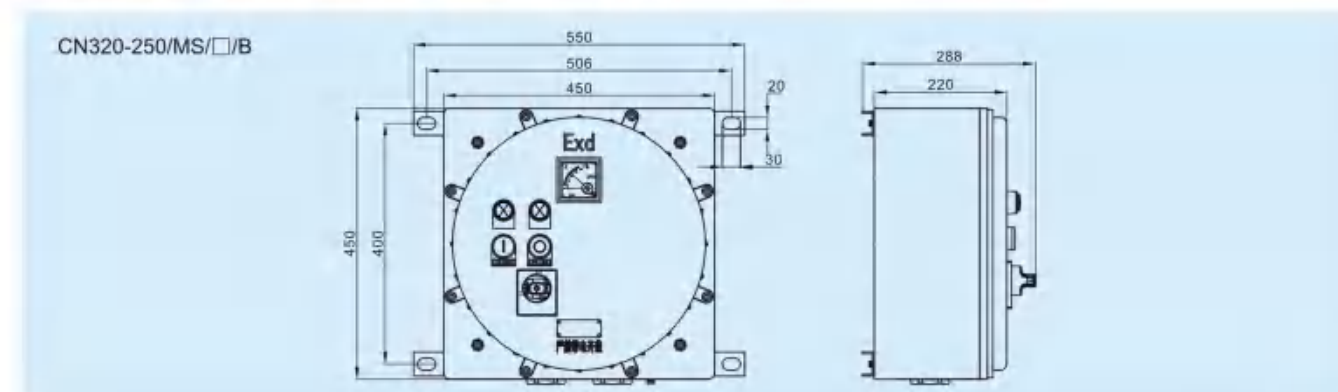
G 技术参数 Technical parameter

防爆马达保护装置 Explosion-proof motor protection device	CN320-250/MS/□/B
防爆型式 Explosion proof type	Ex II2G Ex db IIC T6 Gb
气体防爆型式 Gas explosion proof type	Ex II2D Ex tb IIIC T80°C Db
粉尘防爆型式 Dust explosion proof type	
执行标准 Executive standard	GB/T 3836.1, GB/T 3836.2, GB/T 3836.31 EN 60079-0, EN 60079-1, EN 60079-31, IEC 60079-0, IEC 60079-1, IEC 60079-31
壳体材质 Shell material	无铜铝, 表面喷塑 Copper-free aluminum, plastic sprayed on the surface
壳体颜色 Shell color	窗灰色 Window gray
外露紧固件 Exposed fasteners	不锈钢 Stainless steel
内装元件 Built-in components	小型断路器 Mini circuit breaker (MCB) 交流接触器 AC contactor 热过载继电器 Thermal overload relay 指示灯、按钮 Indicator light, button
额定电压 Rated voltage	380/440V AC 50/60Hz
防护等级 Protection level	IP65, IP66
内外接地 Grounding inside and outside	M6/M8
周围环境温度 Ambient temperature	-60°C~+55°C
电缆引入入口 Cable entry	标准 Standard M□ x 1.5 堵头 Plugging; 详见下表 See the table below for details
电缆引入装置(可选) Cable entry device(optional)	推荐使用 Recommend to use CN970-II(Ex db)或or CN970-III(Ex db)
进线口方向 Inlet direction	下进下出 Bottom in and bottom out

G 选配表 Selection table

型号 Model	控制电机功率(kW) Control motor power	断路器额定电流(A) Rated current of circuit breaker	热继电器整定电流调节范围(A) Thermal relay setting current adjustment range	接触器额定电流(A) Contactor rated current	电缆引入入口规格 Cable entry specifications
CN320-250/MS/16/B	4	16	7~10, Ie=8.5	9	2 x M25 x 1.5
CN320-250/MS/20/B	5.5	20	9~13, Ie=11	12	2 x M25 x 1.5
CN320-250/MS/25/B	7.5	25	12~18, Ie=16	18	2 x M32 x 1.5
CN320-250/MS/32/B	11	32	16~24, Ie=23	25	2 x M32 x 1.5
CN320-250/MS/40/B	15	40	23~32, Ie=30	32	2 x M32 x 1.5
CN320-250/MS/50/B	18.5	50	30~38, Ie=36	40	2 x M40 x 1.5
CN320-250/MS/63/B	22	63	37~50, Ie=46	50	2 x M40 x 1.5

G 外形示意图 (所有尺寸单位为mm) - 可修改 Outline diagram (all dimension in mm)-can be modified





CN320-Q
系列防爆马达保护装置
(Ex db IIB)
CN320-Q
Series Explosion-proof motor
protection device
(Ex db IIB)

IIB/Ex tb



C 产品概述 Product overview

- ◆ 防爆性能符合
 - CENELEC标准
 - IEC标准
 - NEC标准
- ◆ 适用于 1区和2区 21区和22区 II类, 1区和2区 II类, 1区, 气体级别 C, D
- ◆ 本系列产品按适用气体类型IIB产品。
- ◆ 多种电机启动方式可供用户选择。
- ◆ 无铜铝外壳, 表面喷塑。
- ◆ Explosion-proof performance conforms to
 - CENELEC standard
 - IEC standard
 - NEC standard
- ◆ Suitable for zone 1 and zone 2 zone 21 and zone 22 class II, zone 1 and zone 2 class II, zone 1, gas class C, D
- ◆ This series of products are based on applicable gas type IIB products.
- ◆ A variety of motor starting methods are available for users to choose.
- ◆ Copper-free aluminum housing with plastic-sprayed surface.

C 订货须知 Ordering instructions

1. 用户订货时应严格按照“型号含义”详细注明马达开关的各项参数。
 2. 订货时请注明防爆标志。
 3. 有特殊要求(如进出线口规格、方向), 请注明。
1. When placing an order, the user should specify the parameters of the motor switch in strict accordance with the "model meaning".
 2. Please indicate the explosion-proof mark when ordering.
 3. There are special requirements (such as the specifications and direction of the inlet and outlet ports), please specify.

1区& 2区; 21区& 22区

zone1, zone2, zone21, zone22

CN320-Q 系列防爆马达保护装置(Ex db IIB)
CN320-Q Series Explosion-proof motor protection device(Ex db IIB)

C 型号含义 Model meaning

CN320-Q-□/□/□/□
□ □ □ □ □

- 防爆马达保护装置 Explosion-proof motor protection device
- 控制电机功率 Control motor power (kW)
- 断路器额定电流 Rated current of circuit breaker (A)
- 热继电器整定电流 Thermal relay setting current (A)
- S: 直接启动(可不标注) N: 正反转启动 Y: 星三角启动 S: Direct start (not marked) N: Forward and reverse start Y: Star-delta start

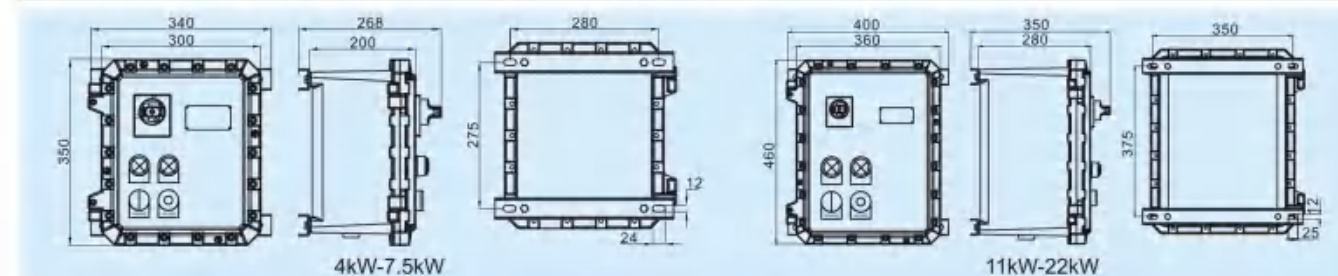
C 技术参数 Technical parameter

防爆马达保护装置 Explosion-proof motor protection device	CN320-Q/□/□/□
防爆型式 Explosion proof type	Ex II2G Ex db IIB T6 Gb
气体防爆型式 Gas explosion proof type	Ex II2D Ex tb IIC T80°C Db
粉尘防爆型式 Dust explosion proof type	
执行标准 Executive standard	GB/T 3836.1, GB/T 3836.2, GB/T 3836.31 EN 60079-0, EN 60079-1, EN 60079-31, IEC 60079-0, IEC 60079-1, IEC 60079-31
壳体材质 Shell material	无铜铝, 表面喷塑 Copper-free aluminum, plastic sprayed on the surface
壳体颜色 Shell color	窗灰色 Window gray
外露紧固件 Exposed fasteners	不锈钢 Stainless steel
内装元件 Built-in components	小型断路器 Mini circuit breaker (MCB) 交流接触器 AC contactor 热过载继电器 Thermal overload relay 指示灯、按钮 Indicator light, button
额定电压 Rated voltage	380/400V AC 50/60Hz
防护等级 Protection level	IP65、IP66
内外接地 Grounding inside and outside	M6/M8
周围环境温度 Ambient temperature	T6/T80°C for Tamb: -60°C~+50°C; T5/T95°C for Tamb: -60°C~+60°C
电缆引入口 Cable entry	标准 Standard M□ x 1.5 堵头 Plugging; 详见下表 See the table below for details
电缆引入装置(可选) Cable entry device(optional)	推荐使用 Recommend to use CN970-II(Ex db)或CN970-III(Ex db)
进线口方向 Inlet direction	下进下出 Bottom in and bottom out

C 选配表 Selection table

型号 Model	控制电机功率(kW) Control motor power	断路器额定电流(A) Rated current of circuit breaker	热继电器整定电流调节范围(A) Thermal relay setting current adjustment range	接触器额定电流(A) Contactor rated current	电缆引入口规格 Cable entry specifications
CN320-Q-4/16/7~10	4	16	7~10, Ie=8.5	9	2 x M25 x 1.5
CN320-Q-5.5/20/9~13	5.5	20	9~13, Ie=11	12	2 x M25x 1.5
CN320-Q-7.5/25/12~18	7.5	25	12~18, Ie=16	18	2 x M32 x 1.5
CN320-Q-11/32/16~24	11	32	16~24, Ie=23	25	2 x M32 x 1.5
CN320-Q-15/40/23~32	15	40	23~32, Ie=30	32	2 x M32 x 1.5
CN320-Q-18.5/50/30~38	18.5	50	30~38, Ie=36	40	2 x M40 x 1.5
CN320-Q-22/63/37~50	22	63	37~50, Ie=46	50	2 x M40 x 1.5

C 外形示意图 (所有尺寸单位为mm) - 可修改 Outline diagram (all dimension in mm) - can be modified





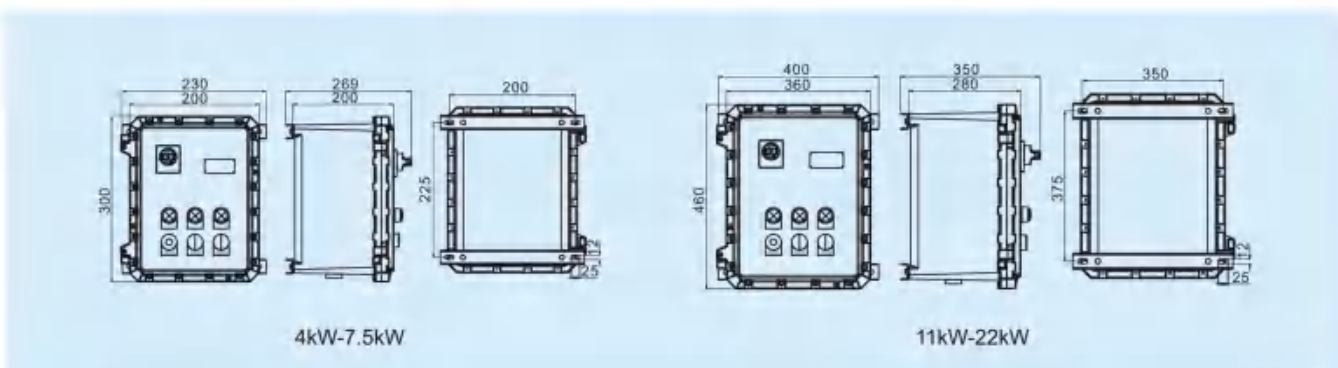
G 技术参数 Technical parameter

防爆马达保护装置 Explosion-proof motor protection device	CN320-Q-□/□/□/□/□/□/□/□
防爆型式 Explosion proof type	Ex II2G Ex db IIB T6 Gb
气体防爆型式 Gas explosion proof type	Ex II2D Ex tb IIIC T80°C Db
粉尘防爆型式 Dust explosion proof type	
执行标准 Executive standard	GB/T 3836.1, GB/T 3836.2, GB/T 3836.31 EN 60079-0, EN 60079-1, EN 60079-31, IEC 60079-0, IEC 60079-1, IEC 60079-31
壳体材质 Shell material	无铜铝, 表面喷塑 Copper-free aluminum, plastic sprayed on the surface
壳体颜色 Shell color	窗灰色 Window gray
外露紧固件 Exposed fasteners	不锈钢 Stainless steel
内装元件 Built-in components	小型断路器 Mini circuit breaker (MCB) 交流接触器 AC contactor 热过载继电器 Thermal overload relay 指示灯、按钮 Indicator light, button
额定电压 Rated voltage	380/400V AC 50/60Hz
防护等级 Protection level	IP65、IP66
内外接地 Grounding inside and outside	M6/M8
周围环境温度 Ambient temperature	T6/T80°C for Tamb: -60°C~+50°C; T5/T95°C for Tamb: -60°C~+60°C
电缆引入口 Cable entry	标准 Standard M□ x 1.5 堵头 Plugging; 详见下表 See the table below for details
电缆引入装置(可选) Cable entry device(optional)	推荐使用 Recommend to use CN970-II (Ex db)或or CN970-III (Ex db)
进线口方向 Inlet direction	下进下出 Bottom in and bottom out

G 选配表 Selection table

型号 Model	控制电机功率(kW) Control motor power	断路器额定电流(A) Rated current of circuit breaker	热继电器整定电流调节范围(A) Thermal relay setting current adjustment range	接触器额定电流(A) Contactor rated current	电缆引入口规格 Cable entry specifications
CN320-Q-4/16/7~10/N	4	16	7~10, Ie=8.5	9	2 x M25 x 1.5
CN320-Q-5.5/20/9~13/N	5.5	20	9~13, Ie=11	12	2 x M25 x 1.5
CN320-Q-7.5/25/12~18/N	7.5	25	12~18, Ie=16	18	2 x M32 x 1.5
CN320-Q-11/32/16~24/N	11	32	16~24, Ie=23	25	2 x M32 x 1.5
CN320-Q-15/40/23~32/N	15	40	23~32, Ie=30	32	2 x M32 x 1.5
CN320-Q-18.5/50/30~38/N	18.5	50	30~38, Ie=36	40	2 x M40 x 1.5
CN320-Q-22/63/37~50/N	22	63	37~50, Ie=46	50	2 x M40 x 1.5

G 外形示意图 (所有尺寸单位为mm) - 可修改 Outline diagram (all dimension in mm) - can be modified



CN320-Q 系列防爆马达保护装置(Ex db IIB)
CN320-Q Series Explosion-proof motor protection device(Ex db IIB)

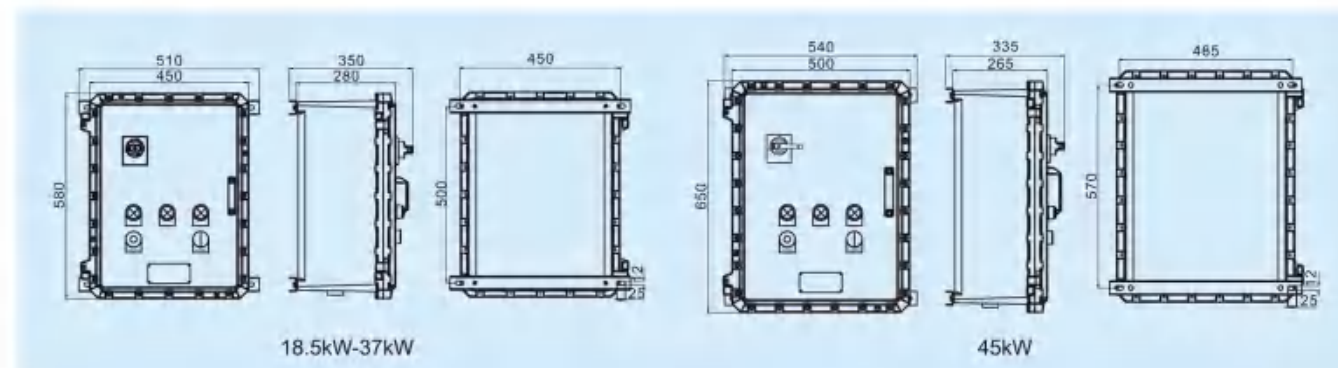
G 技术参数 Technical parameter

防爆马达保护装置 Explosion-proof motor protection device	CN320-Q-□/□/□/□/□/□/□/□/□
防爆型式 Explosion proof type	Ex II2G Ex db IIB T6 Gb
气体防爆型式 Gas explosion proof type	Ex II2D Ex tb IIIC T80°C Db
粉尘防爆型式 Dust explosion proof type	
执行标准 Executive standard	GB/T 3836.1, GB/T 3836.2, GB/T 3836.31 EN 60079-0, EN 60079-1, EN 60079-31, IEC 60079-0, IEC 60079-1, IEC 60079-31
壳体材质 Shell material	无铜铝, 表面喷塑 Copper-free aluminum, plastic sprayed on the surface
壳体颜色 Shell color	窗灰色 Window gray
外露紧固件 Exposed fasteners	不锈钢 Stainless steel
内装元件 Built-in components	小型断路器(MCB)或塑壳断路器(MCCB) Miniature circuit breaker(MCB) or Molded case circuit breaker(MCCB) 交流接触器 AC contactor 热过载继电器 Thermal overload relay 指示灯、按钮 Indicator light, button
额定电压 Rated voltage	380/400V AC 50/60Hz
防护等级 Protection level	IP65、IP66
内外接地 Grounding inside and outside	M6/M8
周围环境温度 Ambient temperature	T6/T80°C for Tamb: -60°C~+50°C; T5/T95°C for Tamb: -60°C~+60°C
电缆引入口 Cable entry	标准 Standard M□ x 1.5 堵头 Plugging; 详见下表 See the table below for details
电缆引入装置(可选) Cable entry device(optional)	推荐使用 Recommend to use CN970-II (Ex db)或or CN970-III (Ex db)
进线口方向 Inlet direction	下进下出 Bottom in and bottom out

G 选配表 Selection table

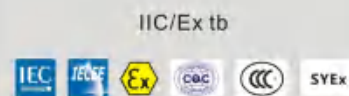
型号 Model	控制电机功率(kW) Control motor power	断路器额定电流(A) Rated current of circuit breaker	热继电器整定电流调节范围(A) Thermal relay setting current adjustment range	延迟时间 Delay time	电缆引入口规格 Cable entry specifications
CN320-Q-18.5/50/17~25/Y	18.5	32	17~25, Ie=23.5	13s	3 x M40 x 1.5
CN320-Q-22/63/23~32/Y	22	40	23~32, Ie=28	15s	3 x M40 x 1.5
CN320-Q-30/80/30~40/Y	30	50	30~40, Ie=38	17s	3 x M50 x 1.5
CN320-Q-37/100/37~50/Y	37	63	37~50, Ie=47	18s	3 x M50 x 1.5
CN320-Q-45/125/48~65/Y	45	80	48~65, Ie=57	20s	3 x M63 x 1.5

G 外形示意图 (所有尺寸单位为mm) - 可修改 Outline diagram (all dimension in mm) - can be modified





CN320-Q
系列防爆马达保护装置
(Ex db eb IIC)
CN320-Q
Series Explosion-proof motor
protection device
(Ex db eb IIC)



C 产品概述 Product overview

- ◆ 防爆性能符合
 - CENELEC标准
 - IEC标准
 - NEC标准
- ◆ 适用于 1区和2区 II类, 1区和2区 II类, 2区, 气体级别 A, B, C, D
- ◆ 本系列产品按适用气体类型IIC产品。
- ◆ 多种电机启动方式可供用户选择。
- ◆ 无铜铝外壳, 表面喷塑。
- ◆ Explosion-proof performance conforms to
 - CENELEC standard
 - IEC standard
 - NEC standard
- ◆ Suitable for zone 1 and zone 2 class II, zone 1 and zone 2 class II, zone 2, gas level A, B, C, D
- ◆ This series of products are based on applicable gas type IIC products.
- ◆ A variety of motor starting methods are available for users to choose.
- ◆ Copper-free aluminum housing with plastic-sprayed surface.

C 订货须知 Ordering instructions

1. 用户订货时应严格按照“型号含义”详细注明马达开关的各项参数。
2. 订货时请注明防爆标志。
3. 有特殊要求(如进出线口规格、方向), 请注明。
1. When placing an order, the user should specify the parameters of the motor switch in strict accordance with the "model meaning".
2. Please indicate the explosion-proof mark when ordering.
3. There are special requirements (such as the specifications and direction of the inlet and outlet ports), please specify.

1区& 2区; 21区& 22区

zone1, zone2, zone21, zone22

CN320-Q 系列防爆马达保护装置(Ex db eb IIC)
CN320-Q Series Explosion-proof motor protection device(Ex db eb IIC)

C 型号含义 Model meaning

CN320-Q-□/□/□/□
□ □ □ □ □

- 防爆马达保护装置 Explosion-proof motor protection device
- 控制电机功率 Control motor power (kW)
- 断路器额定电流 Rated current of circuit breaker (A)
- 热继电器整定电流 Thermal relay setting current (A)
- S: 直接启动(可不标注) N: 正反转启动 Y: 星三角启动 S: Direct start (not marked) N: Forward and reverse start Y: Star-delta start

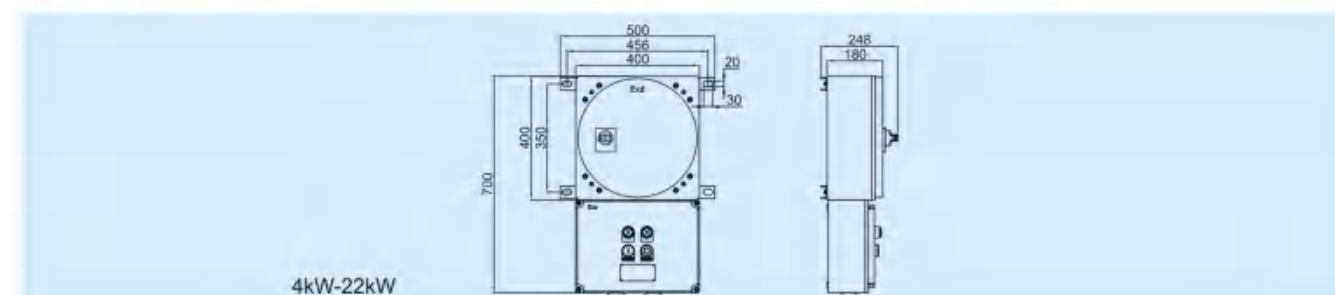
C 技术参数 Technical parameter

防爆马达保护装置 Explosion-proof motor protection device	CN320-Q-□/□/□
防爆型式 Explosion proof type	Ex II2G Ex db eb IIC T6 Gb Ex db eb IIC T6 Gb
执行标准 Executive standard	GB/T 3836.1, GB/T 3836.2, GB/T 3836.3, GB/T 3836.31 EN 60079-0, EN 60079-1, EN 60079-7, IEC 60079-0, IEC 60079-1, IEC 60079-7
壳体材质 Shell material	无铜铝, 表面喷塑 Copper-free aluminum, plastic sprayed on the surface
壳体颜色 Shell color	窗灰色 Window gray
外露紧固件 Exposed fasteners	不锈钢 Stainless steel
内装元件 Built-in components	小型断路器 Mini circuit breaker (MCB) 交流接触器 AC contactor 热过载继电器 Thermal overload relay 指示灯、按钮 Indicator light, button
额定电压 Rated voltage	380/400V AC 50/60Hz
防护等级 Protection level	IP65、IP66
内外接地 Grounding inside and outside	M6/M8
周围环境温度 Ambient temperature	-20°C ~ +55°C
电缆引入口 Cable entry	标准 Standard M□ x 1.5 堵头 Plugging; 详见下表 See the table below for details
电缆引入装置(可选) Cable entry device(optional)	推荐使用 Recommend to use CN970-1 (Ex eb)
进线口方向 Inlet direction	下进下出 Bottom in and bottom out

C 选配表 Selection table

型号 Model	控制电机功率(kW) Control motor power	断路器额定电流(A) Rated current of circuit breaker	热继电器整定电流调节范围(A) Thermal relay setting current adjustment range	接触器额定电流(A) Contactor rated current	电缆引入口规格 Cable entry specifications
CN320-Q-4/16/7~10	4	16	7~10, Ie=8.5	9	2 x M25 x 1.5
CN320-Q-5.5/20/9~13	5.5	20	9~13, Ie=11	12	2 x M25 x 1.5
CN320-Q-7.5/25/12~18	7.5	25	12~18, Ie=16	18	2 x M32 x 1.5
CN320-Q-11/32/16~24	11	32	16~24, Ie=23	25	2 x M32 x 1.5
CN320-Q-15/40/23~32	15	40	23~32, Ie=30	32	2 x M32 x 1.5
CN320-Q-18.5/50/30~38	18.5	50	30~38, Ie=36	40	2 x M40 x 1.5
CN320-Q-22/63/37~50	22	63	37~50, Ie=46	50	2 x M40 x 1.5

C 外形示意图 (所有尺寸单位为mm) - 可修改 Outline diagram (all dimension in mm)-can be modified



4kW-22kW



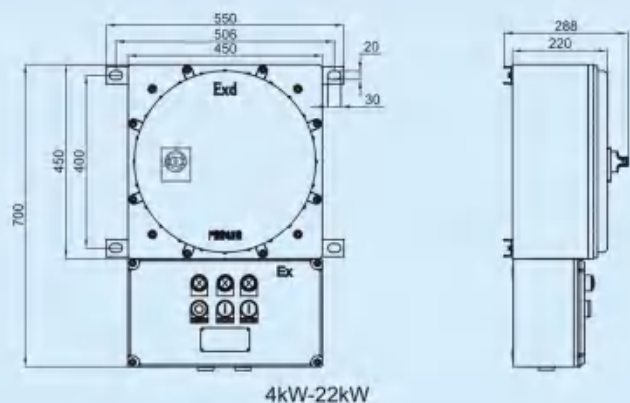
G 技术参数 Technical parameter

防爆马达保护装置 Explosion-proof motor protection device	CN320-Q-□/□/□/□/□/□/□/□/□/□
防爆型式 Explosion proof type	II2G Ex db eb IIC T6 Gb Ex db eb IIC T6 Gb
执行标准 Executive standard	GB/T 3836.1, GB/T 3836.2, GB/T 3836.3, GB/T 3836.31 EN 60079-0, EN 60079-1, EN 60079-7, IEC 60079-0, IEC 60079-1, IEC 60079-7
壳体材质 Shell material	无铜铝, 表面喷塑 Copper-free aluminum, plastic sprayed on the surface
壳体颜色 Shell color	窗灰色 Window gray
外露紧固件 Exposed fasteners	不锈钢 Stainless steel
内装元件 Built-in components	小型断路器 Mini circuit breaker (MCB) 交流接触器 AC contactor 热过载继电器 Thermal overload relay 指示灯、按钮 Indicator light, button
额定电压 Rated voltage	380/400V AC 50/60Hz
防护等级 Protection level	IP65、IP66
内外接地 Grounding inside and outside	M6/M8
周围环境温度 Ambient temperature	-20°C~+55°C
电缆引入口 Cable entry	标准 Standard M□ x 1.5 堵头 Plugging; 详见下表 See the table below for details
电缆引入装置(可选) Cable entry device(optional)	推荐使用 Recommend to use CN970-1 (Ex eb)
进线口方向 Inlet direction	下进下出 Bottom in and bottom out

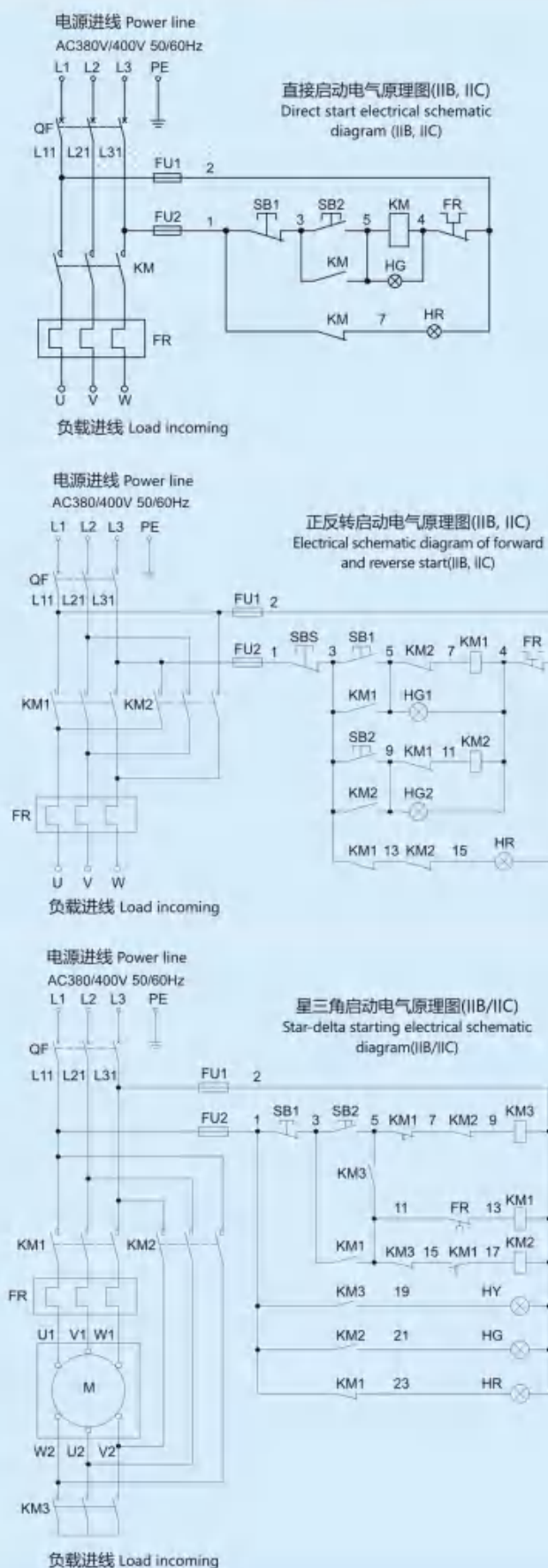
G 选配表 Selection table

型号 Model	控制电机功率(kW) Control motor power	断路器额定电流(A) Rated current of circuit breaker	热继电器整定电流调节范围(A) Thermal relay setting current adjustment range	接触器额定电流(A) Contactor rated current	电缆引入口规格 Cable entry specifications
CN320-Q-4/16/7~10/N	4	16	7~10, Ie=8.5	9	2 x M25 x 1.5
CN320-Q-5.5/20/9~13/N	5.5	20	9~13, Ie=11	12	2 x M25 x 1.5
CN320-Q-7.5/25/12~18/N	7.5	25	12~18, Ie=16	18	2 x M32 x 1.5
CN320-Q-11/32/16~24/N	11	32	16~24, Ie=23	25	2 x M32 x 1.5
CN320-Q-15/40/23~32/N	15	40	23~32, Ie=30	32	2 x M32 x 1.5
CN320-Q-18.5/50/30~38/N	18.5	50	30~38, Ie=36	40	2 x M40 x 1.5
CN320-Q-22/63/37~50/N	22	63	37~50, Ie=46	50	2 x M40 x 1.5

G 外形示意图 (所有尺寸单位为mm) - 可修改 Outline diagram (all dimension in mm) - can be modified



G 电气原理图 Electrical schematic diagram



电器元件代号说明
Code description of electrical components

QF: 断路器 QF: Circuit breaker
KM: 交流接触器 KM: AC contactor
FR: 热继电器 FR: Thermal relay
FU1, FU2: 熔断器 FU1, FU2: Fuse
SB1: 停止按钮 SB1: Stop button
SB2: 启动按钮 SB2: Start button
HR: 停止指示灯 HR: Stop indicator
HG: 运行指示灯 HG: Run indicator

电器元件代号说明
Code description of electrical components

QF: 断路器 QF: Circuit breaker
KM1, KM2: 交流接触器 KM1, KM2: AC contactor
FR: 热继电器 FR: Thermal relay
FU1, FU2: 熔断器 FU1, FU2: Fuse
SBS: 停止按钮 SBS: Stop button
SB1: 正传启动按钮 SB1: Forward start button
SB2: 反转启动按钮 SB2: Reverse start button
HR: 停止指示灯 HR: Stop indicator
HG1: 正传运行指示灯 HG1: Forward running indicator
HG2: 反转运行指示灯 HG2: Reverse running indicator

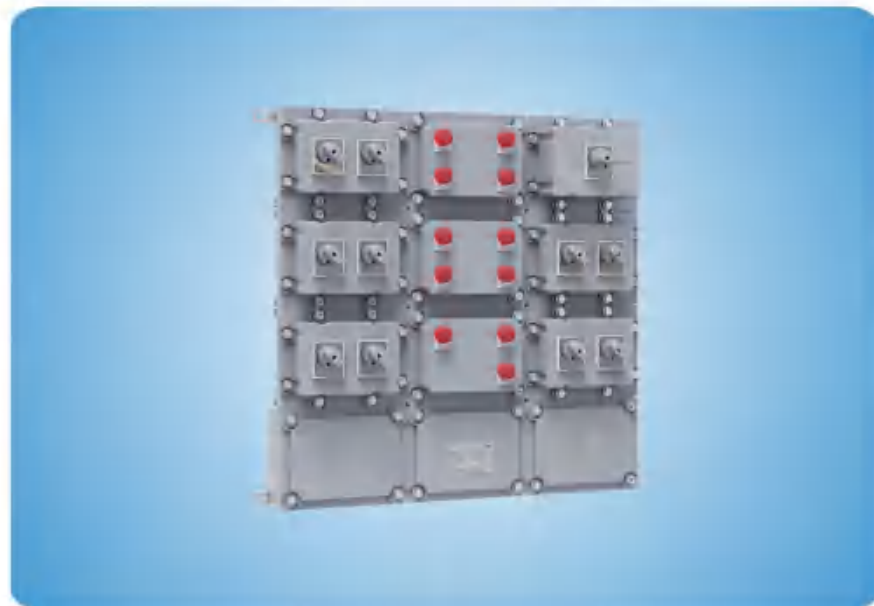
电器元件代号说明
Code description of electrical components

QF: 断路器 QF: Circuit breaker
KM1: 主接触器 KM1: Main contactor
KM3: 星形启动接触器 KM3: Star starting contactor
KM2: 三角形运行接触器 KM2: Delta running contactor
FR: 热继电器 FR: Thermal relay
FU1, FU2: 熔断器 FU1, FU2: Fuse
SB1: 停止按钮 SB1: Stop button
SB2: 启动按钮 SB2: Start button
HR: 停止指示灯 HR: Stop indicator
HY: 星形启动指示灯 HY: Star start indicator light
HG: 三角形运行指示灯 HG: Triangular running indicator



CN500
系列防爆照明配电装置
(Ex db eb IIB)
CN500
Series Explosion-proof lighting
distribution device
(Ex db eb IIB)

IIB/Ex tb



C 产品概述 Product overview

- 防爆性能符合
 - CENELEC标准
 - IEC标准
 - NEC标准
- 适用于 1区和2区 21区和22区 II类, 1区和2区 II类, 2区, 气体级别 C, D
- 本防爆配电箱由隔爆腔体和增安腔体组合而成。
- 支路开关和总开关通过面板上的操作手柄操作。
- 出厂时箱体内部接线已连接好至接线端子。
- 配置国际知名品牌防爆端子。
- 无铜铝, 表面喷塑。
- 进出线口配密封堵头, 用户使用时须另行配置电缆引入装置。
- 特殊要求在订货时注明。
- Explosion-proof performance complies with
 - CENELEC standard
 - IEC standard
 - NEC standard
- Suitable for zone 1 and zone 2 zone 21 and zone 22 class II, zone 1 and zone 2 class II, zone 2, gas level C, D
- This explosion-proof distribution box is composed of an explosion-proof cavity and an increased safety cavity.
- The branch switch and the main switch are operated by the operating handle on the panel.
- When leaving the factory, the internal wiring of the box has been connected to the wiring terminals.
- Equipped with internationally renowned brand explosion-proof terminals.
- No copper and aluminum, and the surface is sprayed with plastic.
- The inlet and outlet ports are equipped with sealing pluggings, and the user must be equipped with a cable lead-in device when using it.
- Please indicate special requirements when ordering.

1区& 2区; 21区& 22区

zone1, zone2, zone21, zone22

G 型号含义 Model meaning

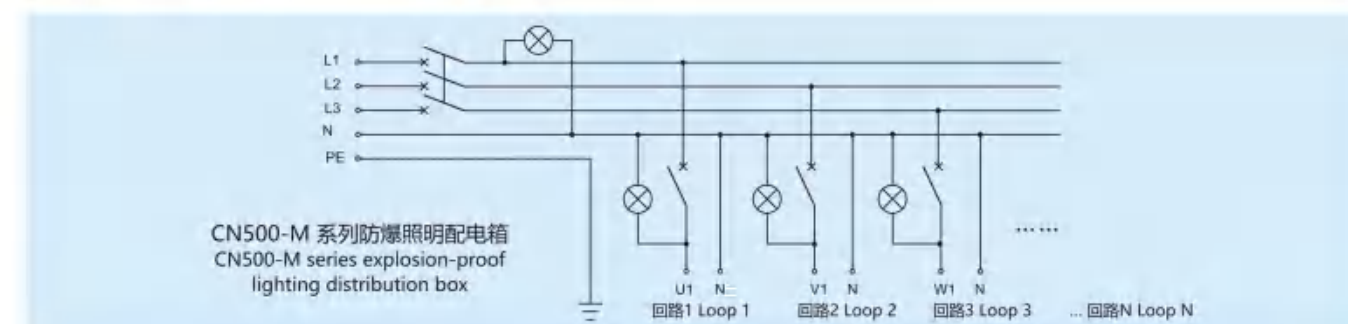
CN500-□-□/□/□/□
□ □ □ □ □ □

- 防爆配电装置 Explosion-proof distribution device
- M: 照明 Lighting D: 动力 Power
- 支路数量 Number of branches
- 支路电流 Branch current
- K: 带总开关(不带不注) With master switch (without or without note)
- 总开关电流 Total switching current

G 技术参数 Technical parameter

防爆照明配电装置 Explosion-proof lighting distribution device	CN500- M -□/□/□/□
防爆型式 Explosion proof type 气体防爆型式 Gas explosion proof type 粉尘防爆型式 Dust explosion proof type	Ex II2G Ex db eb IIB T4/T6 Gb Ex tb IIIC T130°C/T80°C Db
执行标准 Executive standard	GB/T 3836.1, GB/T 3836.2, GB/T 3836.3, GB/T 3836.31 EN 50014, EN 50018, EN 50019, IEC 60079-0, IEC 60079-1, IEC 60079-7 IEC 61241-0, IEC 61241-1
总电源 Main switch	额定电压 Rated voltage: Max. 415V AC 50/60Hz; 额定电流 Rated current: Max.100A
支路电流 Branch current	1A, 2A, 4A, 6A, 10A, 16A, 20A, 25A, 32A
外露紧固件 Exposed fasteners	不锈钢 Stainless steel
壳体材质 Shell material	无铜铝, 表面喷塑 Copper-free aluminum, plastic sprayed on the surface
壳体颜色 Shell color	窗灰色 Window gray
壳体类型 Shell type	壳体分隔爆壳体和增安壳体, 小型断路器, 塑壳断路器或其它元件安装在隔爆壳体内, 防爆指示灯和端子均安装在增安壳体内。The shell separates the explosion-proof shell and the safety-increased shell, small circuit breakers, molded shell circuit breakers or other components are installed in the flameproof shell, and the explosion-proof indicator lights and Terminal block are all installed in the safety-increased shell.
内装元件总开关 Built-in component main switch	小型断路器 (MCB) 或塑壳断路器 (MCCB) Miniature circuit breaker(MCB)or Molded shell circuit breaker(MCCB) 注: 总开关断路器可带漏电保护功能, 如需要, 请注明 Note: The main switch circuit breaker can be equipped with leakage protection function, if necessary, please specify
内装元件支路开关 Built-in component branch switch	小型断路器 Mini circuit breaker (MCB) 注: 支路开关断路器可带漏电保护功能, 如需要, 请注明 Note: The branch circuit breaker can be equipped with leakage protection function, if necessary, please specify
接线端子 Terminal block	国际知名品牌防爆端子 Internationally renowned brand explosion-proof Terminal block
指示灯 Indicator light	红色 Red
防护等级 Protection level	IP65、IP66
内外接地 Grounding inside and outside	M6/M8
周围环境温度 Mambient temperature	-20°C~+55°C
电缆引入口 Cable entry	标准 Standard M□ x 1.5 堵头 Plugging
电缆引入装置(可选) Cable entry device(optional)	推荐使用 Recommend to use CN970-I (Ex eb)
进线口方向 Inlet direction	下进下出 Bottom in and bottom out
安装方式 Installation method	壁挂式(标准)、支架式(可选) Wall-mounted (standard), bracket (optional)

G 电气原理图 Electrical schematic diagram





G CN500-M系列防爆照明配电装置选配表 CN500-M Series Explosion-proof lighting distribution device optional table

型号 Model	描述 Describe					电缆引入口 Cable entry
	总开关 Master switch	支路数量 Number of branches	支路开关 Branch switch	支路电流 Branch current	指示灯数量 Number of indicator lights	
CN500-M-4/□/□/□	MCB 或or MCCB	4	—	1A	1+4	1 x M40 x 1.5 +
				2A	4 x M25 x 1.5	
CN500-M-6/□/□/□	MCCB	6	—	4A	1+6	1 x M40 x 1.5 +
				6A	6 x M25 x 1.5	
CN500-M1-8/□/□/□	—	8	MCB 1 P/2 P	10A	1+8	1 x M40 x 1.5 +
				20A		8 x M25 x 1.5
CN500-M-10/□/□/□	电流 Electric current Max. 100A	10	—	25A	1+10	1 x M40 x 1.5 +
				32A		10 x M25 x 1.5
CN500-M-12/□/□/□	—	12	—	可选 Optional	1+12	1 x M40 x 1.5 +
					12 x M25 x 1.5	
CN500-M-4/□	—	4	—	1A	4	1 x M40 x 1.5 +
				2A		4 x M25 x 1.5
CN500-M-6/□	—	6	—	4A	6	1 x M40 x 1.5 +
				6A		6 x M25 x 1.5
CN500-M-8/□	—	8	MCB 1 P/2 P	10A	8	1 x M40 x 1.5 +
				16A		8 x M25 x 1.5
CN500-M-10/□	—	10	—	20A	10	1 x M40 x 1.5 +
				25A		10 x M25 x 1.5
CN500-M-12/□	—	12	—	32A	12	1 x M40 x 1.5 +
				可选 Optional		12 x M25 x 1.5

G 订货须知 Ordering instructions

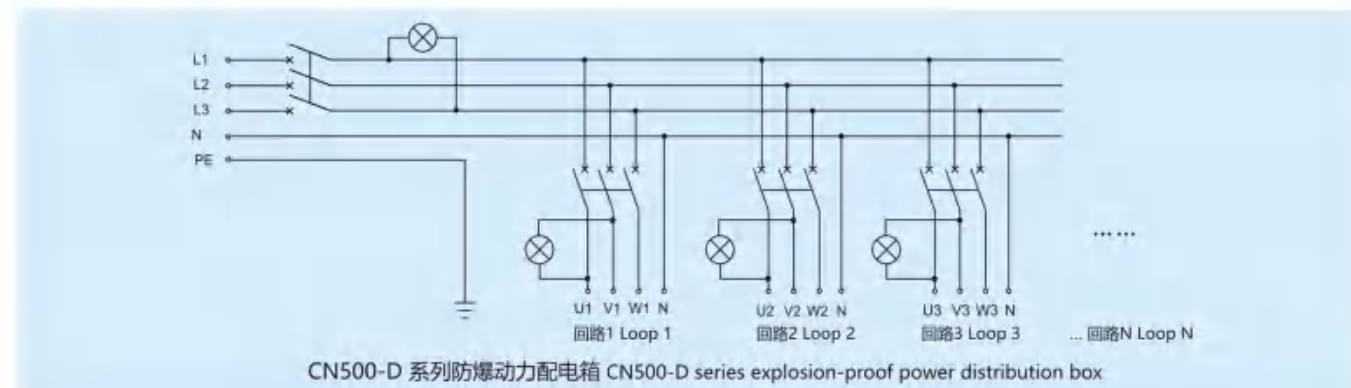
1. 请注明电缆引入口的数量和尺寸以及壳体安装面。
 2. 用户提供电气原理图。此外需要光控器、交流接触器或热继电器控制时请用户注明。
 3. 特殊要求请在订货时注明。
 4. 本系列产品可加装防雨罩，如有需要，请在订货时说明。
1. Please indicate the number and size of the cable inlets and the mounting surface of the housing.
 2. The user provides the electrical schematic diagram. In addition, please specify if you need light controller, AC contactor or thermal relay control.
 3. Please specify special requirements when ordering.
 4. This series of products can be equipped with a rain cover, if necessary, please specify when ordering.



G 技术参数 Technical parameter

防爆动力配电装置 Explosion-proof power distribution device	CN500- D -□/□/□/□
防爆型式 Explosion proof type	Ex db eb IIB T4/T6 Gb Ex tb IIIC T130°C/T80°C Db
气体防爆型式 Gas explosion proof type	Ex db eb IIB T4/T6 Gb
粉尘防爆型式 Dust explosion proof type	Ex tb IIIC T130°C/T80°C Db
执行标准 Executive standard	GB/T 3836.1, GB/T 3836.2, GB/T 3836.3, GB/T 3836.31 EN 50014, EN 50018, EN 50019, IEC 60079-0, IEC 60079-1, IEC 60079-7 IEC 61241-0, IEC 61241-1
总电源 Main switch	额定电压 Rated voltage: Max. 415V AC 50/60Hz; 额定电流 Rated current: Max. 250A
支路电流 Branch current	1A, 2A, 4A, 6A, 10A, 16A, 20A, 25A, 32A, 40A, 50A, 63A
外露紧固件 Exposed fasteners	不锈钢 Stainless steel
壳体材质 Shell material	无铜铝, 表面喷塑 Copper-free aluminum, plastic sprayed on the surface
壳体颜色 Shell color	窗灰色 Window gray
壳体类型 Shell type	壳体分隔爆壳体和增安壳体, 小型断路器, 塑壳断路器或其它元件安装在隔爆壳体内, 防爆指示灯和端子均安装在增安壳体内 The shell separates the explosion-proof shell and the safety-increased shell, small circuit breakers, molded shell circuit breakers or other components are installed in the flameproof shell, and the explosion-proof indicator lights and Terminal block are all installed in the safety-increased shell.
内装元件总开关 Built-in component main switch	小型断路器 (MCB) 或塑壳断路器 (MCCB) Miniature circuit breaker(MCB) or Molded shell circuit breaker(MCCB) 注: 总开关断路器可带漏电保护功能, 如需要, 请注明 Note: The main switch circuit breaker can be equipped with leakage protection function, if necessary, please specify
内装元件支路开关 Built-in component branch switch	小型断路器 Mini circuit breaker (MCB) 注: 支路开关断路器可带漏电保护功能, 如需要, 请注明 Note: The branch circuit breaker can be equipped with leakage protection function, if necessary, please specify
接线端子 Terminal block	国际知名品牌防爆端子 Internationally renowned brand explosion-proof Terminal block
指示灯 Indicator light	红色 Red
防护等级 Protection level	IP65、IP66
内外接地 Grounding inside and outside	M6/M8
周围环境温度 Mambient temperature	-20°C~+55°C
电缆引入口 Cable entry	标准 Standard M□ x 1.5 堵头 Plugging
电缆引入装置(可选) Cable entry device(optional)	推荐使用 Recommend to use CN970-I (Ex eb)
进线口方向 Inlet direction	下进下出 Bottom in and bottom out
安装方式 Installation method	壁挂式 (标准)、支架式 (可选) Wall-mounted (standard), bracket (optional)

G 电气原理图 Electrical schematic diagram





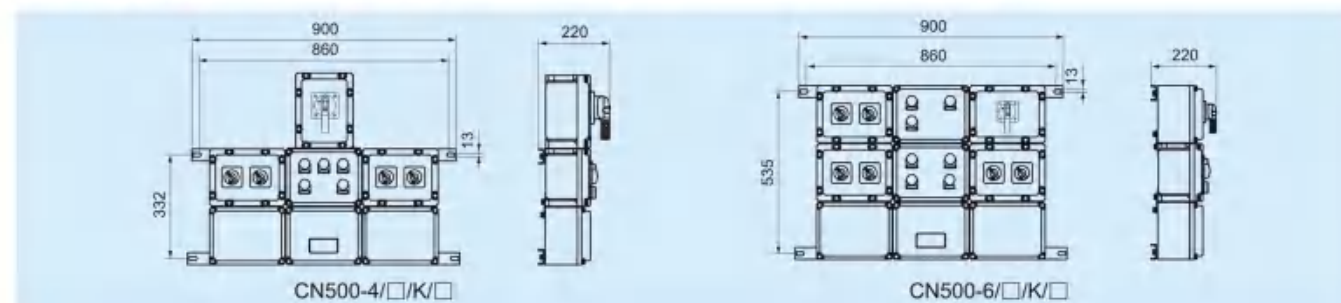
G CN500-D系列防爆动力配电装置选配表 CN500-D Series Explosion-proof power distribution device selection table

型号 Model	描述 Describe					电缆入口 Cable entry
	总开关 Master switch	支路数量 Number of branches	支路开关 Branch switch	支路电流 Branch current	指示灯数量 Number of indicator lights	
CN500-D-4/□/K/□	MCB 或or MCCB	4		1A	1+4	1 x M50 x 1.5
				2A		4 x M25 x 1.5
CN500-D-6/□/K/□	MCCB	6		4A	1+6	1 x M50 x 1.5
				6A		6 x M25 x 1.5
CN500-D-8/□/K/□	MCB 3P	8		10A	1+8	1 x M50 x 1.5
				16A		8 x M25 x 1.5
CN500-D-10/□/K/□	电流 Electric current Max. 250A	10		20A	1+10	1 x M50 x 1.5
				25A		10 x M25 x 1.5
CN500-D-12/□/K/□		12		32A	1+12	1 x M50 x 1.5
				40A		12 x M25 x 1.5
CN500-D-4/□	—	4		50A	4	1 x M50 x 1.5
				63A		4 x M25 x 1.5
CN500-D-6/□		6		可选 Optional	6	1 x M50 x 1.5
						6 x M25 x 1.5
CN500-D-8/□	—	8	MCB 3P	20A	8	1 x M50 x 1.5
				25A		8 x M25 x 1.5
CN500-D-10/□		10		32A	10	1 x M50 x 1.5
				40A		10 x M25 x 1.5
CN500-D-12/□		12		50A	12	1 x M50 x 1.5
				63A		12 x M25 x 1.5
				可选 Optional		

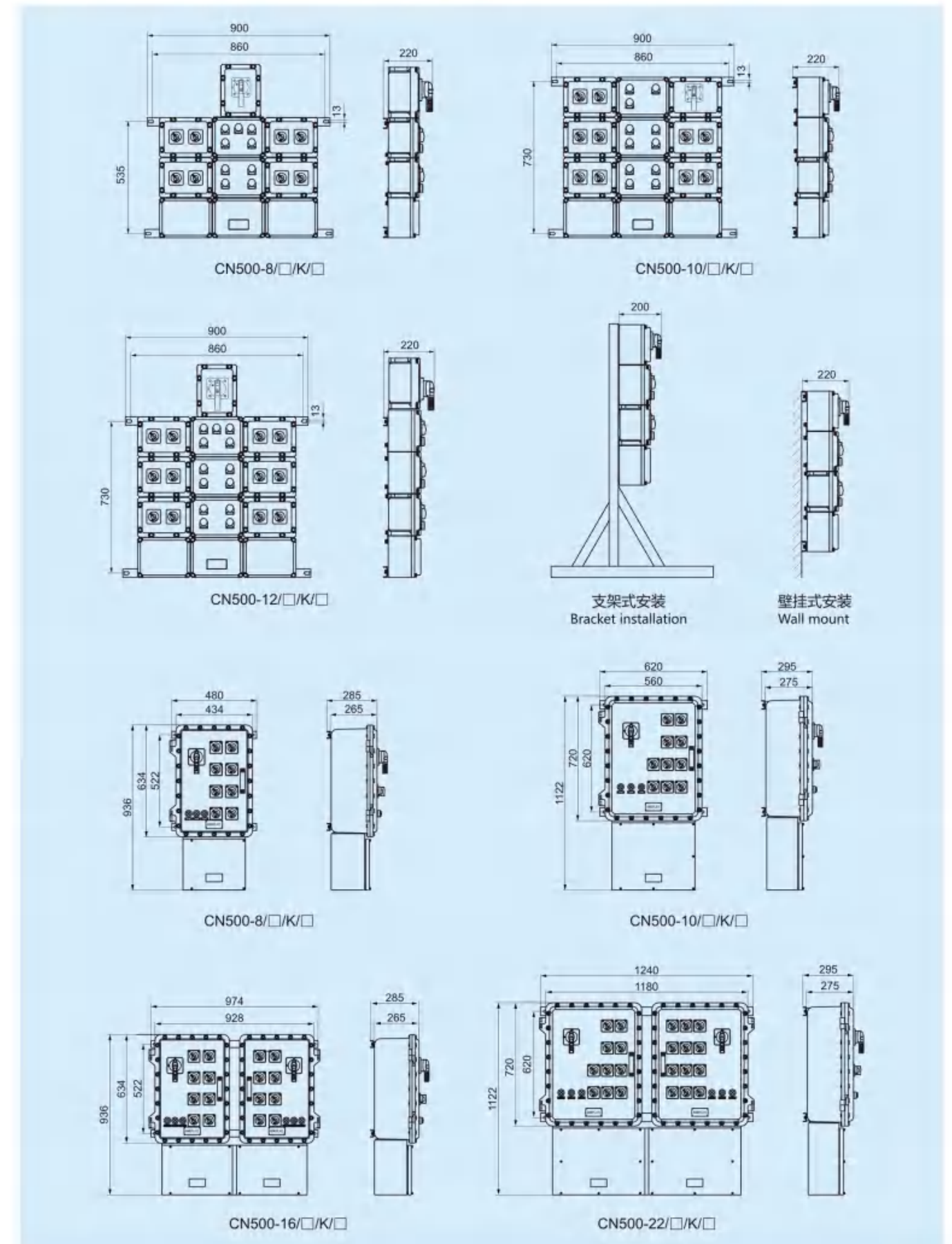
G 订货须知 Ordering instructions

1. 请注明电缆入口的数量和尺寸以及壳体安装面。
 2. 用户提供电气原理图。此外需要光控器、交流接触器或热继电器控制时请用户注明。
 3. 特殊要求请在订货时注明。
 4. 本系列产品可加装防雨罩，如有需要，请在订货时说明。
1. Please indicate the number and size of the cable inlets and the mounting surface of the housing.
 2. The user provides the electrical schematic diagram. In addition, please specify if you need light controller, AC contactor or thermal relay control.
 3. Please specify special requirements when ordering.
 4. This series of products can be equipped with a rain cover, if necessary, please specify when ordering.

G 外形示意图 (所有尺寸单位为mm) - 可修改 Outline diagram (all dimension in mm)-can be modified

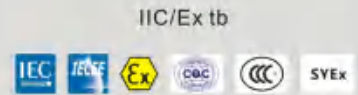


G 外形示意图 (所有尺寸单位为mm) - 可修改 Outline diagram (all dimension in mm)-can be modified





CN500
系列防爆照明配电装置
(Ex db eb IIC)
CN500
Series Explosion-proof lighting
distribution device
(Ex db eb IIC)



G 产品概述 Product overview

- ◆ 防爆性能符合
 - CENELEC标准
 - IEC标准
 - NEC标准
- ◆ 适用于 1区和2区 21区和22区 II类, 1区和2区 II类, 2区, 气体级别 A, B, C, D
- ◆ 本防爆配电箱由隔爆腔体和增安腔体组合而成。
- ◆ 支路开关和总开关通过面板上的操作手柄操作。
- ◆ 出厂时箱体内部接线已连接好至接线端子。
- ◆ 配置国际知名品牌防爆端子。
- ◆ 无铜铝, 表面喷塑。
- ◆ 进出口配密封堵头, 用户使用时须另行配置电缆引入装置。
- ◆ 特殊要求请在订货时注明。
- ◆ Explosion-proof performance conforms to
 - CENELEC standard -IEC standard -NEC standard
- ◆ Suitable for zone 1 and zone 2 zone 21 and zone 22 class II, zone 1 and zone 2 class II, zone 2, gas level A, B, C, D
- ◆ This explosion-proof distribution box is composed of an explosion-proof cavity and an increased safety cavity.
- ◆ The branch switch and the main switch are operated by the operating handle on the panel.
- ◆ When leaving the factory, the internal wiring of the box has been connected to the wiring terminals.
- ◆ Equipped with internationally renowned brand explosion-proof terminals.
- ◆ No copper and aluminum, and the surface is sprayed with plastic.
- ◆ The inlet and outlet ports are equipped with sealing pluggings, and the user must be equipped with a cable lead-in device when using it.
- ◆ Please indicate special requirements when ordering.

1区& 2区; 21区& 22区

zone1, zone2, zone21, zone22

G 型号含义 Model meaning

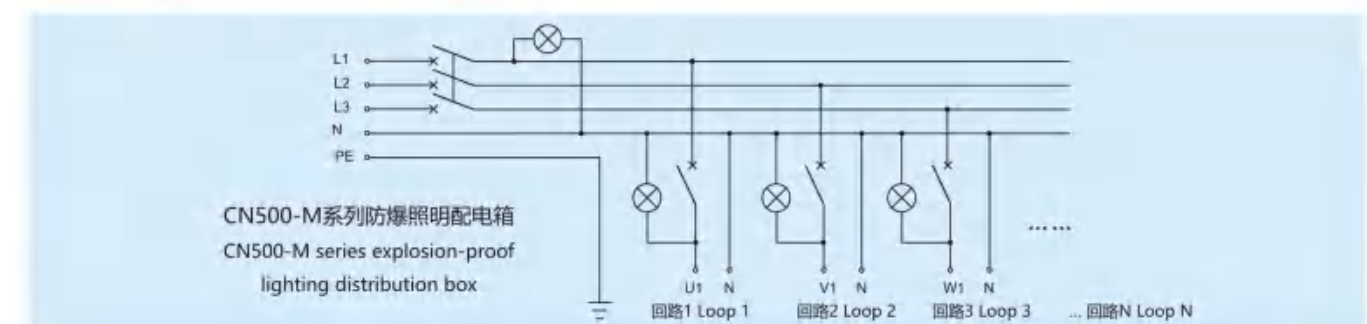
CN500-□-□/□/□/□
□ □ □ □ □ □

- 防爆配电装置 Explosion-proof distribution device
- M: 照明 Lighting D: 动力 Power
- 支路数量 Number of branches
- 支路电流 Branch current
- K: 带总开关(不带注) With master switch (without note)
- 总开关电流 Total switching current

G 技术参数 Technical parameter

防爆照明配电装置 Explosion-proof lighting distribution device	CN500- M -□/□/□/□
防爆型式 Explosion proof type	Ex IIC Ex db eb IIC T4/T6 Gb
气体防爆型式 Gas explosion proof type	Ex IIC Ex tb IIC T130°C/T80°C Db
粉尘防爆型式 Dust explosion proof type	
执行标准 Executive standard	GB/T 3836.1, GB/T 3836.2, GB/T 3836.3, GB/T 3836.31; EN 60079-0, EN 60079-1, EN 60079-7, EN 60079-31, IEC 60079-0, IEC 60079-1, IEC 60079-7, IEC 60079-31
总电源 Main switch	额定电压 Rated voltage: Max. 690V AC 50/60Hz; 额定电流 Rated current: Max.100A
支路电流 Branch current	1A, 2A, 4A, 6A, 10A, 16A, 20A, 25A, 32A
外露紧固件 Exposed fasteners	不锈钢 Stainless steel
壳体材质 Shell material	无铜铝, 表面喷塑 Copper-free aluminum, plastic sprayed on the surface
壳体颜色 Shell color	窗灰色 Window gray
壳体类型 Shell type	壳体分隔爆壳体和增安壳体, 开关安装在隔爆壳体内, 防爆指示灯和端子均安装在增安壳体内。 The shell separates the explosion-proof shell and the safety-increasing shell, the switch is installed in the flame-proof shell, and the explosion-proof indicator light and the terminal are all installed in the safety-increasing shell.
内装元件总开关 Built-in component main switch	小型断路器 (MCB) 或塑壳断路器 (MCCB) Miniature circuit breaker(MCB)or Molded shell circuit breaker(MCCB) 注: 总开关断路器可带漏电保护功能, 如需要, 请注明 Note The main switch circuit breaker can be equipped with leakage protection function, if necessary, please specify
内装元件支路开关 Built-in component branch switch	小型断路器 (MCB) 或塑壳断路器 (MCCB) Miniature circuit breaker(MCB)or Molded shell circuit breaker(MCCB) 注: 支路开关断路器可带漏电保护功能, 如需要, 请注明 Note The branch circuit breaker can be equipped with leakage protection function, if necessary, please specify
接线端子 Terminal block	国际知名品牌防爆端子 Internationally renowned brand explosion-proof Terminal block
指示灯 Indicator light	红色 Red
防护等级 Protection level	IP65、IP66
内外接地 Grounding inside and outside	M6/M8
周围环境温度 Mambient temperature	-20°C~+55°C; (-40°C~+55°C可选 Optional)
电缆引入入口 Cable entry	标准 Standard M□ x 1.5 堵头 Plugging
电缆引入装置(可选) Cable entry device(optional)	推荐使用 Recommend to use CN970-I (Ex eb)
进线口方向 Inlet direction	下进下出 Bottom in and bottom out
安装方式 Installation method	壁挂式 (标准) Wall-mounted (standard) / 支架式 (可选) Bracket type (optional)

G 电气原理图 Electrical schematic diagram





G CN500-M系列防爆照明配电装置选配表 CN500-M Series Explosion-proof lighting distribution device optional table

型号 Model	描述 Describe					电缆入口 Cable entry
	总开关 Master switch	支路数量 Number of branches	支路开关 Branch switch	支路电流 Branch current	指示灯数量 Number of indicator lights	
CN500-M-4/□/□/□	MCB	4		1A	1+4	1 x M40 x 1.5 + 4 x M25 x 1.5
CN500-M-6/□/□/□				2A		
CN500-M-6/□/□/□	或 MCCB	6		4A	1+6	1 x M40 x 1.5 + 6 x M25 x 1.5
CN500-M-8/□/□/□	6A					
CN500-M-8/□/□/□	电流 Electric current	8	MCB 1P/2P	10A	1+8	1 x M40 x 1.5 + 8 x M25 x 1.5
CN500-M-10/□/□/□				20A		
CN500-M-10/□/□/□	Max. 100A	10		25A	1+10	1 x M40 x 1.5 + 10 x M25 x 1.5
CN500-M-12/□/□/□				32A		
CN500-M-12/□/□/□		12		可选 Optional	1+12	1 x M40 x 1.5 + 12 x M25 x 1.5
CN500-M-4/□						
CN500-M-6/□	—	6		1A	4	1 x M40 x 1.5 + 4 x M25 x 1.5
CN500-M-6/□				2A		
CN500-M-8/□		8	MCB 1P/2P	4A	6	1 x M40 x 1.5 + 6 x M25 x 1.5
CN500-M-8/□				6A		
CN500-M-10/□		10		10A	8	1 x M40 x 1.5 + 8 x M25 x 1.5
CN500-M-10/□				16A		
CN500-M-12/□		12		20A	10	1 x M40 x 1.5 + 10 x M25 x 1.5
CN500-M-12/□				25A		
				32A		
				可选 Optional	12	1 x M40 x 1.5 + 12 x M25 x 1.5

G 订货须知 Ordering instructions

1. 请注明电缆入口的数量和尺寸以及壳体安装面。
 2. 用户提供电气原理图。此外需要光控器、交流接触器或热继电器控制时请用户注明。
 3. 特殊要求请在订货时注明。
 4. 本系列产品可加装防雨罩，如有需要，请在订货时说明。
1. Please indicate the number and size of the cable inlets and the mounting surface of the housing.
 2. The user provides the electrical schematic diagram. In addition, please specify if you need light controller, AC contactor or thermal relay control.
 3. Please specify special requirements when ordering.
 4. This series of products can be equipped with a rain cover, if necessary, please specify when ordering.

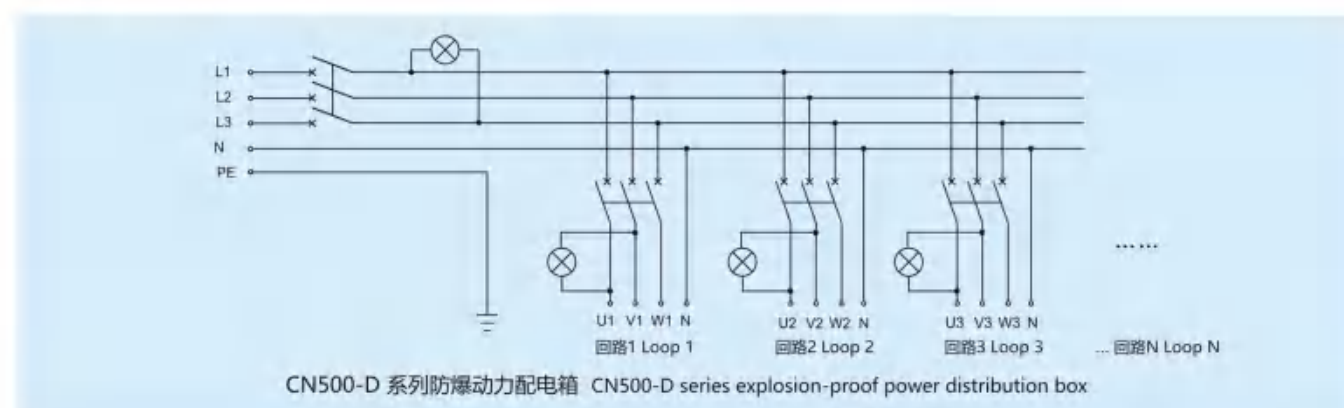


CN500 系列防爆照明配电装置(Ex db eb IIC)
CN500 Series Explosion-proof lighting distribution device(Ex db eb IIC)

G 技术参数 Technical parameter

防爆动力配电装置 Explosion-proof power distribution device	CN500-D-□/□/□/□
防爆型式 Explosion proof type	Ex II2G Ex db eb IIC T4/T6 Gb
气体防爆型式 Gas explosion proof type	Ex II2D Ex tb IIIC T130°C/T80°C Db
粉尘防爆型式 Dust explosion proof type	
执行标准 Executive standard	GB/T 3836.1, GB/T 3836.2, GB/T 3836.3, GB/T 3836.31; EN 60079-0, EN 60079-1, EN 60079-7, EN 60079-31, IEC 60079-0, IEC 60079-1, IEC 60079-7, IEC 60079-31
总电源 Main switch	额定电压 Rated voltage: Max. 690V AC 50/60Hz; 额定电流 Rated current: Max. 100A
支路电流 Branch current	1A, 2A, 4A, 6A, 10A, 16A, 20A, 25A, 32A
外露紧固件 Exposed fasteners	不锈钢 Stainless steel
壳体材质 Shell material	无铜铝, 表面喷塑 Copper-free aluminum, plastic sprayed on the surface
壳体颜色 Shell color	窗灰色 Window gray
壳体类型 Shell type	壳体分隔爆炸壳体和增安壳体, 开关安装在隔爆壳体内, 防爆指示灯和端子均安装在增安壳体内。 The shell separates the explosion-proof shell and the safety-increasing shell, the switch is installed in the flame-proof shell, and the explosion-proof indicator light and the terminal are all installed in the safety-increasing shell.
内装元件总开关 Built-in component main switch	小型断路器 (MCB) 或塑壳断路器 (MCCB) Miniature circuit breaker(MCB) or Molded shell circuit breaker(MCCB) 注: 总开关断路器可带漏电保护功能, 如需要, 请注明 Note: The main switch circuit breaker can be equipped with leakage protection function, if necessary, please specify
内装元件支路开关 Built-in component branch switch	小型断路器 (MCB) 或塑壳断路器 (MCCB) Miniature circuit breaker(MCB) or Molded shell circuit breaker(MCCB) 注: 支路开关断路器可带漏电保护功能, 如需要, 请注明 Note: The branch circuit breaker can be equipped with leakage protection function, if necessary, please specify
接线端子 Terminal block	国际知名品牌防爆端子 Internationally renowned brand explosion-proof Terminal block
指示灯 Indicator light	红色 Red
防护等级 Protection level	IP65、IP66
内外接地 Grounding inside and outside	M6/M8
周围环境温度 Mambient temperature	-20°C~+55°C; (-40°C~+55°C可选 Optional)
电缆入口 Cable entry	标准 Standard M□ x 1.5 堵头 Plugging
电缆引入装置(可选) Cable entry device(optional)	推荐使用 Recommend to use CN970-I (Ex eb)
进线口方向 Inlet direction	下进下出 Bottom in and bottom out
安装方式 Installation method	壁挂式 (标准) Wall-mounted (standard) / 支架式 (可选) Bracket type (optional)

G 电气原理图 Electrical schematic diagram





G CN500-D 系列防爆动力配电装置选配表 CN500-D Series Explosion-proof power distribution device selection table

型号 Model	描述 Describe					电缆引入口 Cable entry
	总开关 Master switch	支路数量 Number of branches	支路开关 Branch switch	支路电流 Branch current	指示灯数量 Number of indicator lights	
CN500-D-4/□/K/□	MCB 或 MCCB	4	MCB	1A	1+4	1 x M50 x 1.5
CN500-D-6/□/K/□				2A		4 x M25 x 1.5
CN500-D-6/□/K/□	MCCB	6	MCB	4A	1+6	1 x M50 x 1.5
CN500-D-8/□/K/□				6A		6 x M25 x 1.5
CN500-D-8/□/K/□	电流 Electric current Max. 250A	8	3P	10A	1+8	1 x M50 x 1.5
CN500-D-10/□/K/□				16A		8 x M25 x 1.5
CN500-D-10/□/K/□				20A		1 x M50 x 1.5
CN500-D-12/□/K/□				25A		10 x M25 x 1.5
CN500-D-10/□/K/□	Max. 250A	10	3P	32A	1+10	1 x M50 x 1.5
CN500-D-12/□/K/□				40A		10 x M25 x 1.5
CN500-D-12/□/K/□	Option	12	3P	50A	1+12	1 x M50 x 1.5
CN500-D-4/□				63A		12 x M25 x 1.5
CN500-D-4/□	—	4	MCB	1A	4	1 x M50 x 1.5
CN500-D-6/□				2A		4 x M25 x 1.5
CN500-D-6/□	—	6	MCB	4A	6	1 x M50 x 1.5
CN500-D-8/□				6A		6 x M25 x 1.5
CN500-D-8/□	—	8	3P	10A	8	1 x M50 x 1.5
CN500-D-10/□				16A		8 x M25 x 1.5
CN500-D-10/□				20A		1 x M50 x 1.5
CN500-D-12/□				25A		10 x M25 x 1.5
CN500-D-10/□	—	10	3P	32A	10	1 x M50 x 1.5
CN500-D-12/□				40A		10 x M25 x 1.5
CN500-D-12/□	Option	12	3P	50A	12	1 x M50 x 1.5
				63A		12 x M25 x 1.5

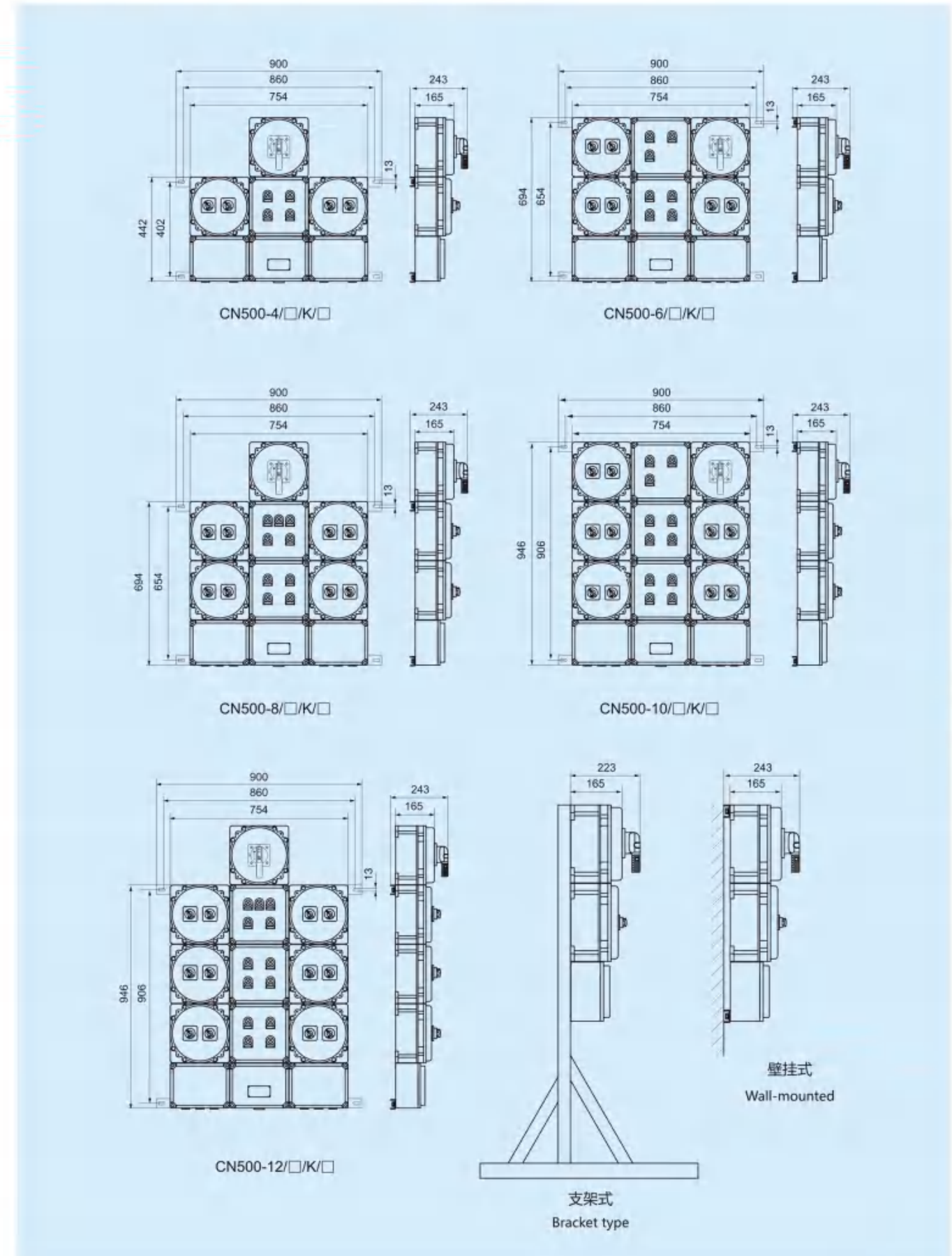
G 订货须知 Ordering instructions

1. 请注明电缆引入口的数量和尺寸以及壳体安装面。
 2. 用户提供电气原理图。此外需要光控器、交流接触器或热继电器控制时请用户注明。
 3. 特殊要求请在订货时注明。
 4. 本系列产品可加装防雨罩，如有需要，请在订货时说明。
1. Please indicate the number and size of the cable inlets and the mounting surface of the housing.
 2. The user provides the electrical schematic diagram. In addition, please specify if you need light controller, AC contactor or thermal relay control.
 3. Please specify special requirements when ordering.
 4. This series of products can be equipped with a rain cover, if necessary, please specify when ordering.



CN500 系列防爆照明配电装置(Ex db eb IIC)
CN500 Series Explosion-proof lighting distribution device(Ex db eb IIC)

G 外形示意图 (所有尺寸单位为mm) - 可修改 Outline diagram (all dimension in mm)-can be modified





CN500
系列防爆照明动力
配电装置
(Ex db IIB+H2)

CN500
Series Explosion-proof lighting
power distribution device
(Ex db IIB+H2)

IIB/Ex tb



C 产品概述 Product overview

- 防爆性能符合
 - CENELEC标准
 - IEC标准
 - NEC标准
- 适用于 1区和2区 21区和22区
II类, 1区和2区 II类, 1区, 气体级别 C, D
- 本防爆配电箱为全隔爆型结构 (Ex db IIB)。
- 支路开关和总开关通过面板上的操作手柄操作。
- 出厂时箱体内部接线已连接好至接线端子。
- 配置国际知名品牌端子。
- 壳体: 无铜铝、碳钢, 表面喷塑; 不锈钢。
- 进线口配密封堵头, 用户使用时须另行配置电缆引入装置。
- 特殊要求请在订货时注明。
- Explosion-proof performance conforms to
 - CENELEC standard -IEC standard -NEC standard
- Suitable for zone 1 and zone 2 zone 21 and zone 22 class II, zone 1 and zone 2 class II, zone 1, gas class C, D
- This explosion-proof distribution box is a totally explosion-proof structure (Ex db IIB).
- The branch switch and the main switch are operated by the operating handle on the panel.
- When leaving the factory, the internal wiring of the box has been connected to the wiring terminals.
- Equipped with terminals of well-known international brands.
- Shell: copper-free aluminum, carbon steel, plastic-sprayed surface; stainless steel.
- The inlet and outlet ports are equipped with sealing pluggings, and the user must be equipped with a cable lead-in device when using it.
- Please indicate special requirements when ordering.

1区& 2区; 21区& 22区

zone1, zone2, zone21, zone22

CN500 系列防爆照明动力配电装置(Ex db IIB+H2)
CN500 Series Explosion-proof lighting power distribution device(Ex db IIB+H2)

C 型号含义 Model meaning

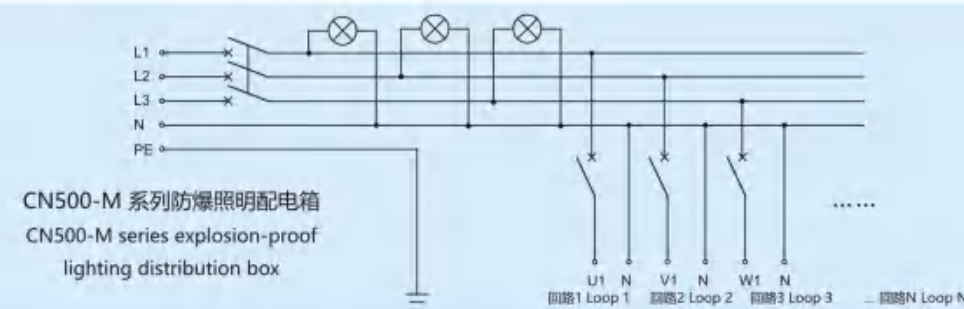
CN500-□-□/□/□/□
□ □ □ □ □ □

- 防爆配电装置 Explosion-proof distribution device
- M: 照明 Lighting D: 动力 Power
- 支路数量 Number of branches
- 支路电流 Branch current
- K: 带总开关 (不带不注) With master switch (without or without note)
- 总开关电流 Total switching current

C 技术参数 Technical parameter

防爆照明配电装置 Explosion-proof lighting distribution device	CN500- M -□/□/□/□
防爆型式 Explosion proof type	Ex db IIB+H2 T6 Gb
气体防爆型式 Gas explosion proof type	Ex db IIB+H2 T6 Gb
粉尘防爆型式 Dust explosion proof type	Ex db IIB+H2 T6 Gb
执行标准 Executive standard	GB/T 3836.1, GB/T 3836.2, GB/T 3836.31 EN 60079-0, EN 60079-1, EN 60079-31, IEC 60079-0, IEC 60079-1, IEC 60079-31
总电源 Main switch	额定电压 Rated voltage: Max. 690V AC 50/60Hz; 额定电流 Rated current: Max. 100A
支路电流 Branch current	1A, 2A, 4A, 6A, 10A, 16A, 20A, 25A, 32A
外露紧固件 Exposed fasteners	不锈钢 Stainless steel
壳体材质 Shell material	无铜铝、碳钢, 表面喷塑 Copper-free aluminum, carbon steel, plastic sprayed on the surface
壳体颜色 Shell color	窗灰色 Window gray
内装元件总开关 Built-in component main switch	小型断路器 (MCB)或塑壳断路器 (MCCB) Miniature circuit breaker(MCB) or Molded shell circuit breaker(MCCB) 注: 总开关断路器可带漏电保护功能, 如需要, 请注明 Note: The main switch circuit breaker can be equipped with leakage protection function, if necessary, please specify
内装元件支路开关 Built-in component branch switch	小型断路器 (MCB)或塑壳断路器 (MCCB) Miniature circuit breaker(MCB) or Molded shell circuit breaker(MCCB) 注: 支路开关断路器可带漏电保护功能, 如需要, 请注明 Note: The branch circuit breaker can be equipped with leakage protection function, if necessary, please specify
接线端子 Terminal block	国际知名品牌端子 Internationally renowned brand explosion-proof Terminal block
指示灯 Indicator light	红色、绿色、黄色 Red, Green, Yellow
防护等级 Protection level	IP65、IP66
内外接地 Grounding inside and outside	M6/M8
周围环境温度 Mambient temperature	-60°C ~ +55°C
电缆入口 Cable entry	标准 Standard M□ x 1.5 堵头 Plugging
电缆引入装置(可选) Cable entry device(optional)	推荐使用 Recommend to use CN970-II(Ex db)或 CN970-III(Ex db)
进线口方向 Inlet direction	下进下出 Bottom in and bottom out
安装方式 Installation method	壁挂式 (标准) Wall-mounted (standard) / 支架式 (可选) Bracket type (optional)

C 电气原理图 Electrical schematic diagram





G CN500-M 系列防爆照明配电装置选配表 CN500-M Series Explosion-proof lighting distribution device optional table

型号 Model	描述 Describe					电缆入口 Cable entry
	总开关 Master switch	支路数量 Number of branches	支路开关 Branch switch	支路电流 Branch current	指示灯数量 Number of indicator lights	
CN500-M-4/□/□/□	MCB	4		1A	3	1 x M32 x 1.5 +
				2A		4 x M25 x 1.5
CN500-M-6/□/□/□	或 MCCB	6		4A	3	1 x M40 x 1.5 +
				6A		6 x M25 x 1.5
CN500-M-8/□/□/□	电流 Electric current	8	MCB 1P/2P	10A	3	1 x M40 x 1.5 +
				20A		8 x M25 x 1.5
CN500-M-10/□/□/□	Max. 100A	10		25A	3	1 x M40 x 1.5 +
				32A		10 x M25 x 1.5
CN500-M-12/□/□/□		12		可选 Optional	3	1 x M40 x 1.5 +
				12 x M25 x 1.5		
CN500-M-4/□	—	4		1A	3	1 x M40 x 1.5 +
				2A		4 x M25 x 1.5
CN500-M-6/□	—	6		4A	3	1 x M40 x 1.5 +
				6A		6 x M25 x 1.5
CN500-M-8/□	—	8	MCB 1P/2P	10A	3	1 x M40 x 1.5 +
				16A		8 x M25 x 1.5
CN500-M-10/□	—	10		20A	3	1 x M40 x 1.5 +
				25A		10 x M25 x 1.5
CN500-M-12/□	—	12		32A	3	1 x M40 x 1.5 +
				可选 Optional		12 x M25 x 1.5

G 订货须知 Ordering instructions

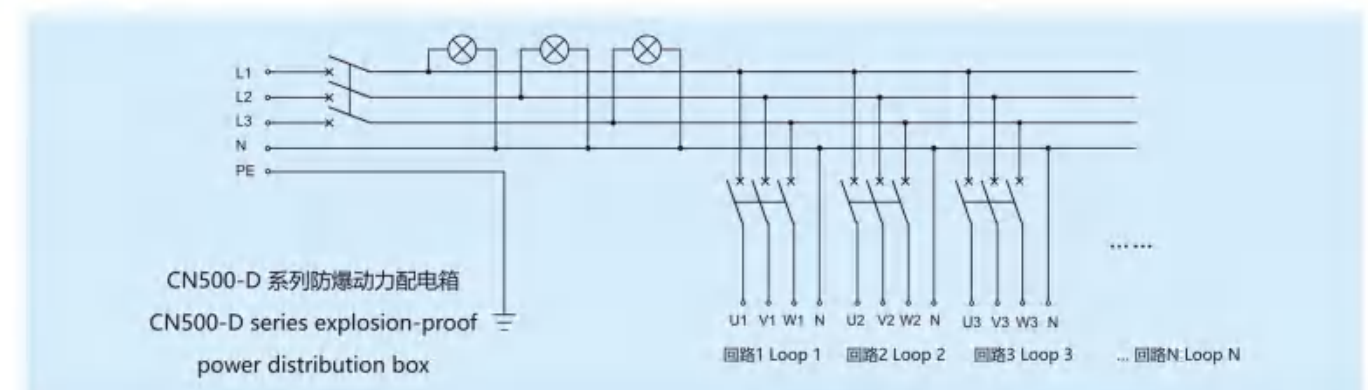
1. 请注明电缆入口的数量和尺寸以及壳体安装面。
 2. 用户提供电气原理图。此外需要光控器、交流接触器或热继电器控制时请用户注明。
 3. 特殊要求请在订货时注明。
 4. 本系列产品可加装防雨罩，如有需要，请在订货时说明。
1. Please indicate the number and size of the cable inlets and the mounting surface of the housing.
 2. The user provides the electrical schematic diagram. In addition, please specify if you need light controller, AC contactor or thermal relay control.
 3. Please specify special requirements when ordering.
 4. This series of products can be equipped with a rain cover, if necessary, please specify when ordering.



G 技术参数 Technical parameter

防爆动力配电装置 Explosion-proof power distribution device	CN500-D -□/□/□/□
防爆型式 Explosion proof type	Ex db IIB+H2 T6 Gb
气体防爆型式 Gas explosion proof type	Ex db IIB+H2 T6 Gb
粉尘防爆型式 Dust explosion proof type	Ex db IIB+H2 T6 Gb
执行标准 Executive standard	GB/T 3836.1, GB/T 3836.2, GB/T 3836.31 EN 60079-0, EN 60079-1, EN 60079-31, IEC 60079-0, IEC 60079-1, IEC 60079-31
总电源 Main switch	额定电压 Rated voltage: Max. 690V AC 50/60Hz; 额定电流 Rated current: Max. 630A
支路电流 Branch current	1A, 2A, 4A, 6A, 10A, 16A, 20A, 25A, 32A, 40A, 50A, 63A
外露紧固件 Exposed fasteners	80A, 100A, 125A, 160A, 200A, 250A, 320A, 400A
壳体材质 Shell material	不锈钢 Stainless steel
壳体颜色 Shell color	窗灰色 Window gray
内装元件总开关 Built-in component main switch	小型断路器 (MCB) 或塑壳断路器 (MCCB) Miniature circuit breaker(MCB) or Molded shell circuit breaker(MCCB) 注: 总开关断路器可带漏电保护功能, 如需要, 请注明 Note: The main switch circuit breaker can be equipped with leakage protection function, if necessary, please specify
内装元件支路开关 Built-in component branch switch	小型断路器 (MCB) 或塑壳断路器 (MCCB) Miniature circuit breaker(MCB) or Molded shell circuit breaker(MCCB) 注: 支路开关断路器可带漏电保护功能, 如需要, 请注明 Note: The branch circuit breaker can be equipped with leakage protection function, if necessary, please specify
接线端子 Terminal block	国际知名品牌端子 Internationally renowned brand explosion-proof terminal block
指示灯 Indicator light	红色、绿色、黄色 Red, Green, Yellow
防护等级 Protection level	IP65、IP66
内外接地 Grounding inside and outside	M6/M8
周围环境温度 Ambient temperature	-60°C~+55°C
电缆入口 Cable entry	标准 Standard M□ x 1.5 堵头 Plugging
电缆引入装置(可选) Cable entry device(optional)	推荐使用 Recommend to use CN970-II(Ex db)或 CN970-III(Ex db)
进线口方向 Inlet direction	下进下出 Bottom in and bottom out
安装方式 Installation method	壁挂式(标准) Wall-mounted (standard) / 支架式(可选) Bracket type (optional)

G 电气原理图 Electrical schematic diagram





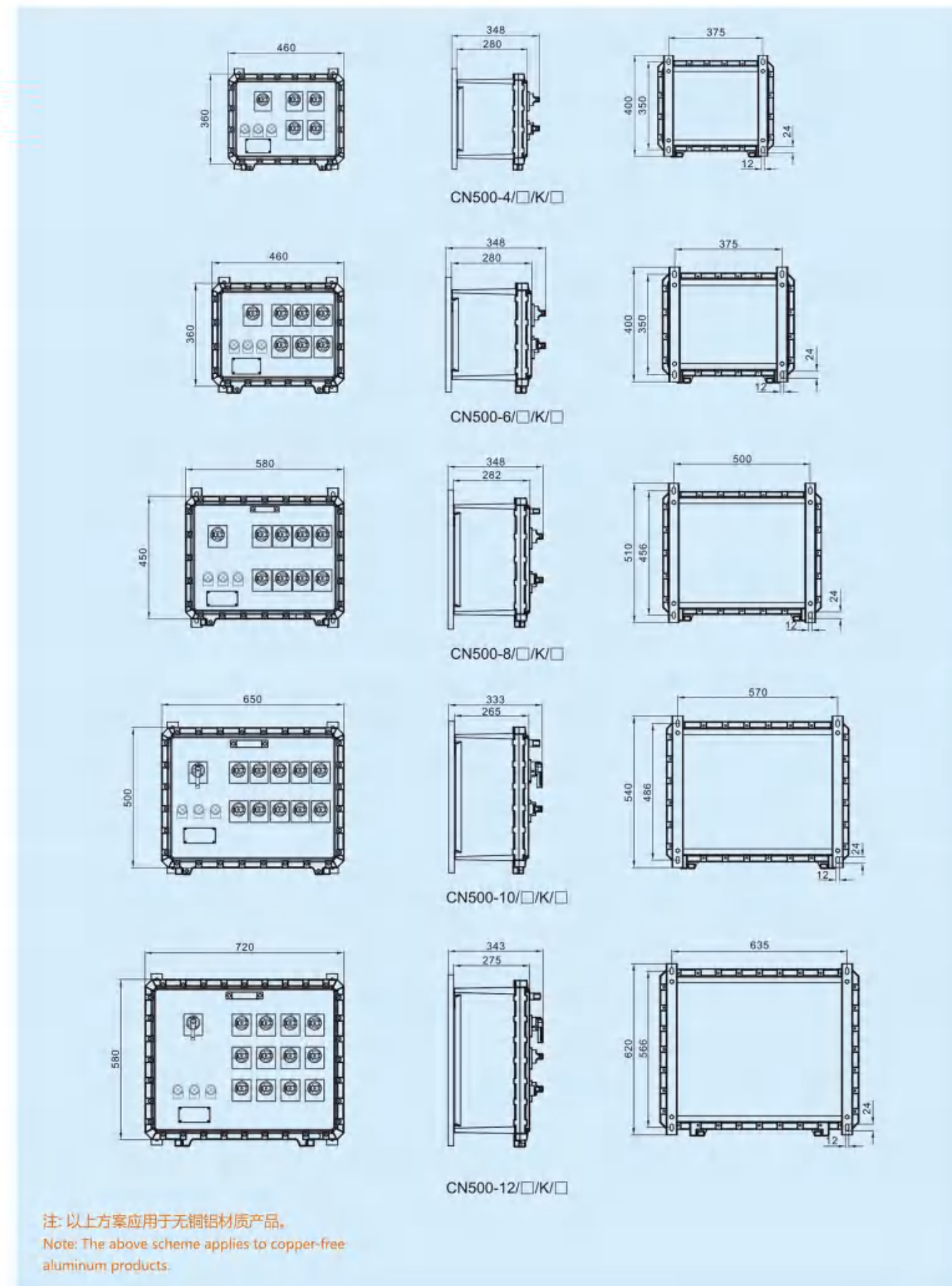
G CN500-D 系列防爆动力配电装置选配表 CN500-D Series Explosion-proof power distribution device selection table

型号 Model	描述 Describe					电缆入口 Cable entry
	总开关 Master switch	支路数量 Number of branches	支路开关 Branch switch	支路电流 Branch current	指示灯数量 Number of indicator lights	
CN500-D-4/□/K/□	MCB	4		1A, 2A	3	1 x M50(M63, M75, M90) x 1.5
				4A, 6A		4 x M25(M32, M40, M50, M63) x 1.5
CN500-D-6/□/K/□	或or	6		10A, 16A	3	1 x M50(M63, M75, M90) x 1.5
	MCCB			20A, 25A		6 x M25(M32, M40, M50, M63) x 1.5
CN500-D-8/□/K/□		8		32A, 40A	3	1 x M50(M63, M75, M90) x 1.5
				或or		50A, 63A
CN500-D-10/□/K/□	电流 Electric current	10		80A, 100A	3	1 x M50(M63, M75, M90) x 1.5
				3P		125A, 160A
CN500-D-12/□/K/□	Max.630A	12		200A, 250A	3	1 x M50(M63, M75, M90) x 1.5
				320A, 400A		10 x M25(M32, M40, M50, M63) x 1.5
CN500-D-12/□/K/□				可选 Optional	3	1 x M50(M63, M75, M90) x 1.5 + 12 x M25 x 1.5
CN500-D-4/□		4		1A, 2A	3	1 x M50(M63, M75, M90) x 1.5
				4A, 6A		4 x M25(M32, M40, M50, M63) x 1.5
CN500-D-6/□	—	6		10A, 16A	3	1 x M50(M63, M75, M90) x 1.5
				20A, 25A		6 x M25(M32, M40, M50, M63) x 1.5
CN500-D-8/□		8		32A, 40A	3	1 x M50(M63, M75, M90) x 1.5
				或or		50A, 63A
CN500-D-10/□		10		80A, 100A	3	1 x M50(M63, M75, M90) x 1.5
				3P		125A, 160A
CN500-D-12/□		12		200A, 250A	3	1 x M50(M63, M75, M90) x 1.5
				320A, 400A		10 x M25(M32, M40, M50, M63) x 1.5
				可选 Optional	3	1 x M50(M63, M75, M90) x 1.5 + 12 x M25(M32, M40, M50, M63) x 1.5

G 订货须知 Ordering instructions

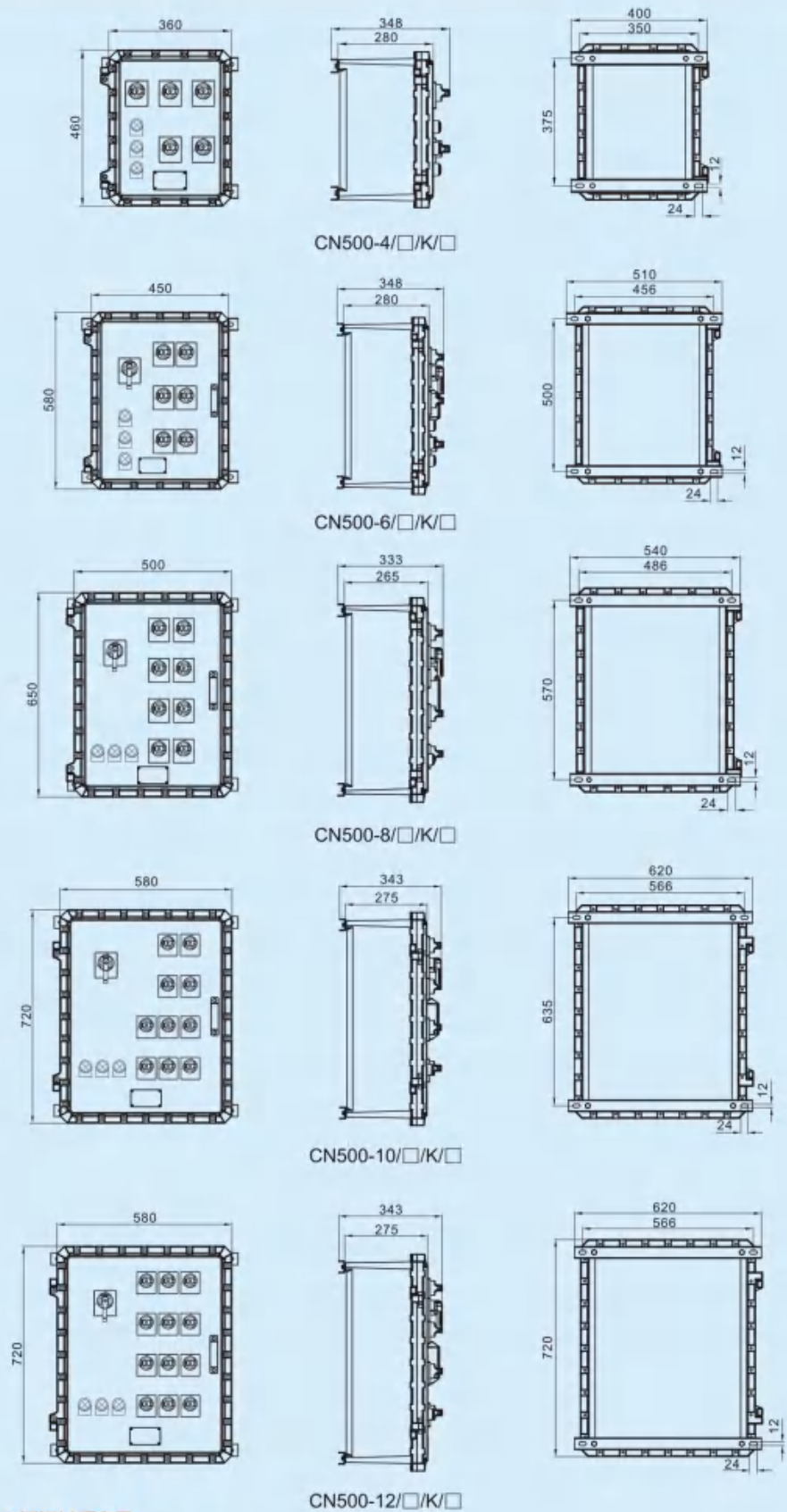
1. 请注明电缆入口的数量和尺寸以及壳体安装面。
 2. 用户提供电气原理图。此外需要光控器、交流接触器或热继电器控制时请用户注明。
 3. 特殊要求请在订货时注明。
 4. 本系列产品可加装防雨罩，如有需要，请在订货时说明。
1. Please indicate the number and size of the cable inlets and the mounting surface of the housing.
 2. The user provides the electrical schematic diagram. In addition, please specify if you need light controller, AC contactor or thermal relay control.
 3. Please specify special requirements when ordering.
 4. This series of products can be equipped with a rain cover, if necessary, please specify when ordering.

G 外形示意图 (所有尺寸单位为mm) - 可修改 Outline diagram (all dimension in mm)-can be modified



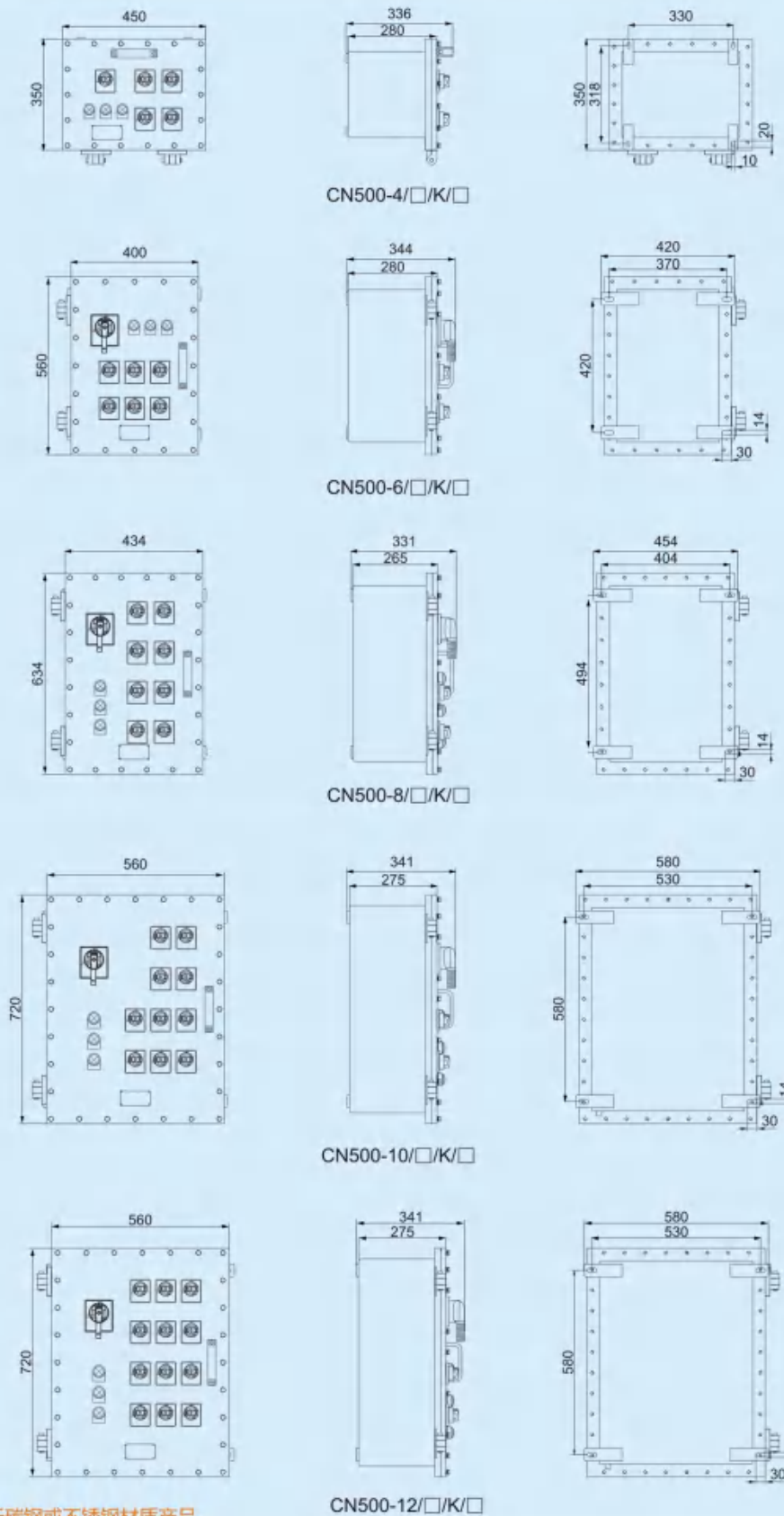


G 外形示意图 (所有尺寸单位为mm) - 可修改 Outline diagram (all dimension in mm)-can be modified



注: 以上方案应用于无铜铝材质产品。
Note: The above scheme applies to copper-free aluminum products.

G 外形示意图 (所有尺寸单位为mm) - 可修改 Outline diagram (all dimension in mm)-can be modified



注: 以上方案应用于碳钢或不锈钢材质产品。
Note: The above scheme applies to carbon steel or stainless steel products.



CN510
系列防爆控制配电装置
CN510
Series Explosion-proof control
power distribution device



IIB/Ex tb
IEC, TEPC, Ex, CQC, CCC, SVEx

C 产品概述 Product overview

- ◆ 防爆性能符合
 - CENELEC标准
 - IEC标准
 - NEC标准
- ◆ 适用于
 - 1区和2区 21区和22区
 - II类, 1区和2区 II类, 1区, 气体级别 B, C, D
- ◆ 本防爆配电装置为全隔爆型结构(Ex db IIB+H2), 可作为控制和配电系统馈电配电装置(如配电箱, 主电路开关箱, 控制箱, 端子接线箱或电机启动箱等系列产品)。
- ◆ 无铜铝外壳, 表面喷塑。
- ◆ 配置专用的铰链结构, 使隔爆面在箱子开关时不易损坏, 大大延长箱体使用寿命。
- ◆ 箱体之间可以自由组合安装, 节约空间, 满足各种配电系统的需要。
- ◆ 特殊要求在订货时注明。
- ◆ Explosion-proof performance conforms to
 - CENELEC standard -IEC standard -NEC standard
- ◆ Suitable for zone 1 and zone 2 zone 21 and zone 22 class II, zone 1 and zone 2 class II, zone 1, gas class B, C, D
- ◆ This explosion-proof power distribution device is a fully flameproof structure (Ex db IIB+H2), which can be used as a feeder and power distribution device for control and power distribution systems (if equipped with electric box, main circuit switch box, control box, terminal junction box or motor starter box, etc. series products).
- ◆ Copper-free aluminum housing with plastic-sprayed surface.
- ◆ Equipped with a special hinge structure, so that the explosion-proof surface is not easily damaged when the box is opened and closed, and greatly prolongs the service life of the box.
- ◆ The cabinets can be freely combined and installed to save space and meet the needs of various power distribution systems.
- ◆ Please indicate special requirements when ordering.

1区& 2区; 21区& 22区
zone1, zone2, zone21, zone22

G 型号含义 Model meaning

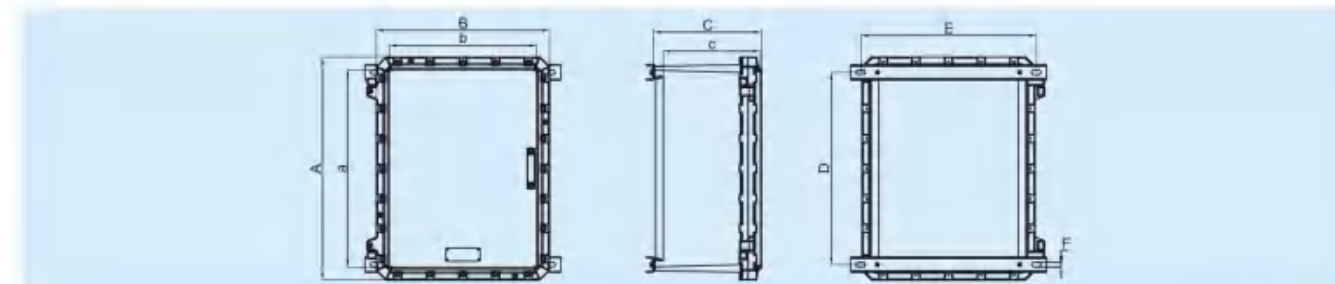
CN510-□/□/□	
□	□ □ □ □
□	□ □ □ □
□	□ □ □ □
□	□ □ □ □

□ 防爆控制配电装置 Explosion-proof control power distribution device
□ 规格代号 Specification code (I,II...)
□ 额定电压 Rated voltage (V)
□ 额定电流 Rated current (A)

G 技术参数 Technical parameter

防爆控制配电装置 Explosion-proof control power distribution device	CN510-□/□/□
防爆型式 Explosion proof type	Ex II2G Ex db IIB T4/T5/T6 Gb
气体防爆型式 Gas explosion proof type	Ex II2D Ex tb IIIC T130°C/T95°C/T80°C Db
粉尘防爆型式 Dust explosion proof type	
执行标准 Executive standard	GB/T 3836.1, GB/T 3836.2, GB/T 3836.31 EN 60079-0, EN 60079-1, EN 60079-31, IEC 60079-0, IEC 60079-1, IEC 60079-31
壳体材质 Shell material	壳体材质无铜铝外壳, 表面喷塑, 窗灰色 Shell material copper-free aluminum shell, plastic-sprayed surface, window gray
外露紧固件 Exposed fasteners	不锈钢 Stainless steel
电源断路器 Power circuit breaker	小型断路器(MCB)或塑壳断路器(MCCB) Miniature circuit breaker(MCB) or Molded shell circuit breaker(MCCB)
支路开关 Branch switch	小型断路器(MCB)或塑壳断路器(MCCB) Miniature circuit breaker(MCB) or Molded shell circuit breaker(MCCB)
接线端子 Terminal block	国际知名品牌端子 Internationally renowned brand terminal block
指示灯 Indicator light	红色、绿色、黄色、蓝色 Red, Green, Yellow, Blue
按钮 Button	红色、绿色、黄色 Red, Green, Yellow
控制开关 Control switch	Hk系列控制开关组件 Hk series control switch assembly
交流接触器 AC contactor	国际知名品牌 International well-known brand
热过载继电器 Thermal overload relay	国际知名品牌 International well-known brand
PLC编程器 Programmer	国际知名品牌 International well-known brand
软启动器 Soft starter	国际知名品牌 International well-known brand
额定电压 Rated voltage	Max. 1000V AC 50/60Hz
额定电流 Rated current	Max. 1200A
防护等级 Protection level	IP65, IP66
内外接地 Grounding inside and outside	M6/M8
周围环境温度 Ambient temperature	-60°C~+60°C
电缆引入口 Cable entry	标准M□×1.5堵头(进线孔大小根据实际需求加工), NPT螺纹可定制 Standard M□×1.5 Plugging(the size of the inlet hole is processed according to actual needs), NPT thread can be customized
电缆引入装置(可选) Cable entry device(optional)	推荐使用 Recommend to use CN970-II (Ex db)或CN970-III(Ex db)
进线口方向 Inlet direction	下进下出 Bottom in and bottom out
安装方式 Installation method	壁挂式(标准) Wall-mounted (standard) / 支架式(可选) Bracket type (optional)

G 电气原理图 Electrical schematic diagram





G CN510 防爆配电装置选配表 CN510 Explosion-proof power distribution device selection table

型号 Model	最大耗散功率(W) Maximum power dissipation			最大额定电流 Maximum rated current	外部尺寸 Outside size			内部尺寸 Internal dimensions			安装尺寸 Installation size		
	T4/T130°C	T5/T95°C	T6/T80°C		A	B	C	a	b	c	D	E	F
CN510-I	200	120	80	63A	250	200	170	192	142	131	180	130	10
CN510-II	200	120	80	63A	300	200	170	242	142	131	230	130	10
	240	140	100	100A	350	200	170	292	142	131	280	130	10
CN510-III	290	170	125	160A	350	300	200	290	240	159	280	230	12
	350	200	130	200A	350	300	270	290	240	229	280	230	12
CN510-IV	420	230	140	250A	450	350	210	378	278	163	365	265	12
	500	280	160	320A	450	350	280	378	278	233	365	265	12
CN510-V	520	320	190	400A	560	400	210	488	328	155	475	315	14
	620	350	200	500A	560	400	280	488	328	225	475	315	14
CN510-VI	660	380	220	630A	634	434	265	560	360	205	522	322	14
	660	380	220	630A	634	434	335	560	360	275	522	322	14
CN510-VII	700	400	250	800A	720	560	275	640	480	215	620	460	14
	700	400	250	1000A	720	560	345	640	480	285	620	460	14
CN510-VIII	800	500	350	1000A	980	720	325	880	620	240	820	560	18
	800	500	350	1000A	980	720	425	880	620	340	820	560	18
CN510-IX	1000	600	500	1200A	1280	900	350	1180	800	255	1120	740	18
	1000	600	500	1200A	1280	900	500	1160	740	410	1120	730	18

注：电缆引入口装置，推荐使用C970-II(Ex db)或CN970-III(Ex db)。
Note: For cable entry device, it is recommended to use C970-II (Ex db) or CN970-III (Ex db).

G CN510 防爆配电装置用于接线箱 CN510 Explosion-proof power distribution device for junction box

用于配电系统中接线箱单元
Used for junction box unit in power distribution system

- 注：1. CN510接线箱单元接线端子排布有多种不同的排布方式。
2. 可根据客户要求定制，并始终符合证书使用的限制，最大端子数量，侧面最大孔数量，均满足耗散功率和外壳机械强度要求。
3. 本表格仅供参考。

Note: 1. CN510 junction box unit wiring terminals are arranged in many different ways.
2. It can be customized according to customer requirements and always meets the restrictions of the certificate. The maximum number of Terminal block and the maximum number of holes on the side meet the requirements of power dissipation and mechanical strength of the enclosure.
3. This form is for reference only.

G CN510 防爆配电装置用于接线箱举例 CN510 Explosion-proof power distribution device used in junction box example

最大合适端子数见表 The maximum number of suitable terminal block is shown in the table

型号 Model	端子排布 Terminal layout	端子大小(mm ²) Terminal size (mm ²)									
		2.5	4	6	10	16	35	70	120	185	300
CN510-I		20	18	15	12	9	—	—	—	—	—

G CN510 防爆配电装置用于接线箱举例 CN510 Explosion-proof power distribution device used in junction box example

最大合适端子数见表 The maximum number of suitable terminal block is shown in the table

型号 Model	端子排布 Terminal layout	端子大小(mm ²) Terminal size (mm ²)									
		2.5	4	6	10	16	35	70	120	185	300
CN510-II		28	25	21	18	15	5	—	—	—	—
		36	32	28	24	20	5	—	—	—	—
CN510-III		72	64	56	24	20	10	5	—	—	—
		72	64	56	24	20	10	5	—	—	—
CN510-IV		100	90	80	60	25	15	10	5	—	—
		100	90	80	60	25	15	10	5	—	—
CN510-V		140	130	100	80	70	24	18	5	5	5
		140	130	100	80	70	24	18	5	5	5
CN510-VI		160	140	120	100	80	56	22	10	5	5
		160	140	120	100	80	56	22	10	5	5



G CN510 防爆配电装置用于接线箱举例 CN510 Explosion-proof power distribution device used in junction box example

最大合适端子数见表 The maximum number of suitable terminal block is shown in the table

型号 Model	端子排布 Terminal layout	端子大小(mm ²) Terminal size (mm ²)									
		2.5	4	6	10	16	35	70	120	185	300
CN510-VII		90	80	70	60	40	25	25	14	10	5
		270	240	210	165	135	64	25	12	10	5
		270	240	210	165	135	64	25	12	10	5
CN510-VIII		264	248	200	160	136	90	72	42	—	—
		396	372	300	240	204	135	—	—	—	—
		640	600	488	392	328	165	90	24	18	16
CN510-IX		360	340	272	220	184	124	100	56	40	—
		540	510	408	330	276	186	—	—	—	—

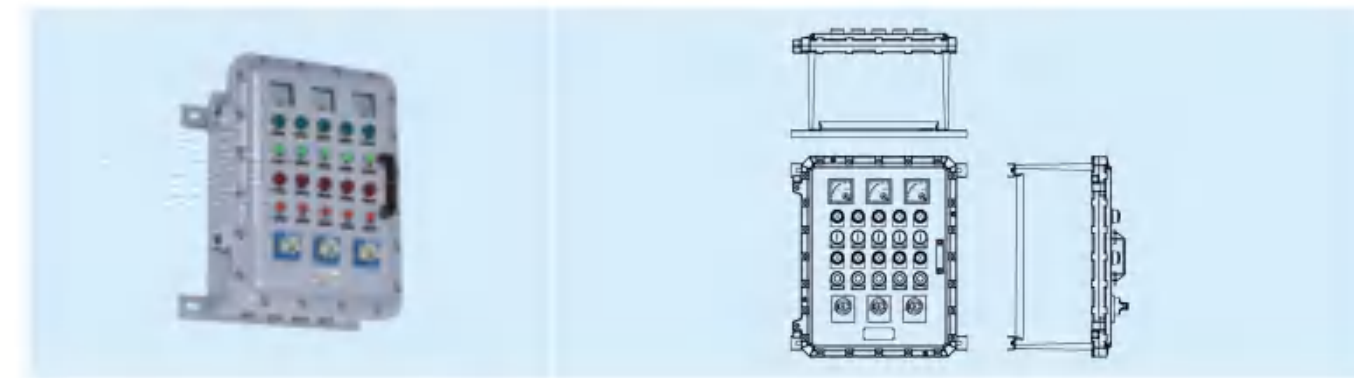
G CN510 防爆配电装置用于控制箱 CN510 Explosion-proof power distribution device for control box

用于配电系统中控制单元 Used for control unit in power distribution system

- 注: 1. CN510 控制箱单元内置按钮组件, 指示灯组件, 控制开关和电流表/电压表等。
2. CN510 控制箱单元可用于电路的通断操作, 也可实现远控或就地控制电动机启动、停止、正转、反转等操作。带电流表时还可对电机运行或电路状态进行监控。
3. 可根据客户要求定制, 并始终符合证书使用的限制, 盖板元件数量, 侧面最大孔数量, 均满足耗散功率和外壳机械强度要求。

- Note: 1. CN510 control box unit has built-in button assembly, indicator light assembly, control switch and ammeter/voltage meter, etc.
2. CN510 control box unit can be used for the on-off operation of the circuit, and can also realize remote control or local control of the motor start, stop, forward, reverse and other operations. When equipped with an ammeter, it can also transport the motor line or circuit status is monitored.
3. It can be customized according to customer requirements and always meets the restrictions of the certificate. The number of cover elements and the maximum number of holes on the side meet the requirements of power dissipation and mechanical strength of the housing.

G 用于控制箱方案举例示意图 Schematic diagram of an example for the control box scheme



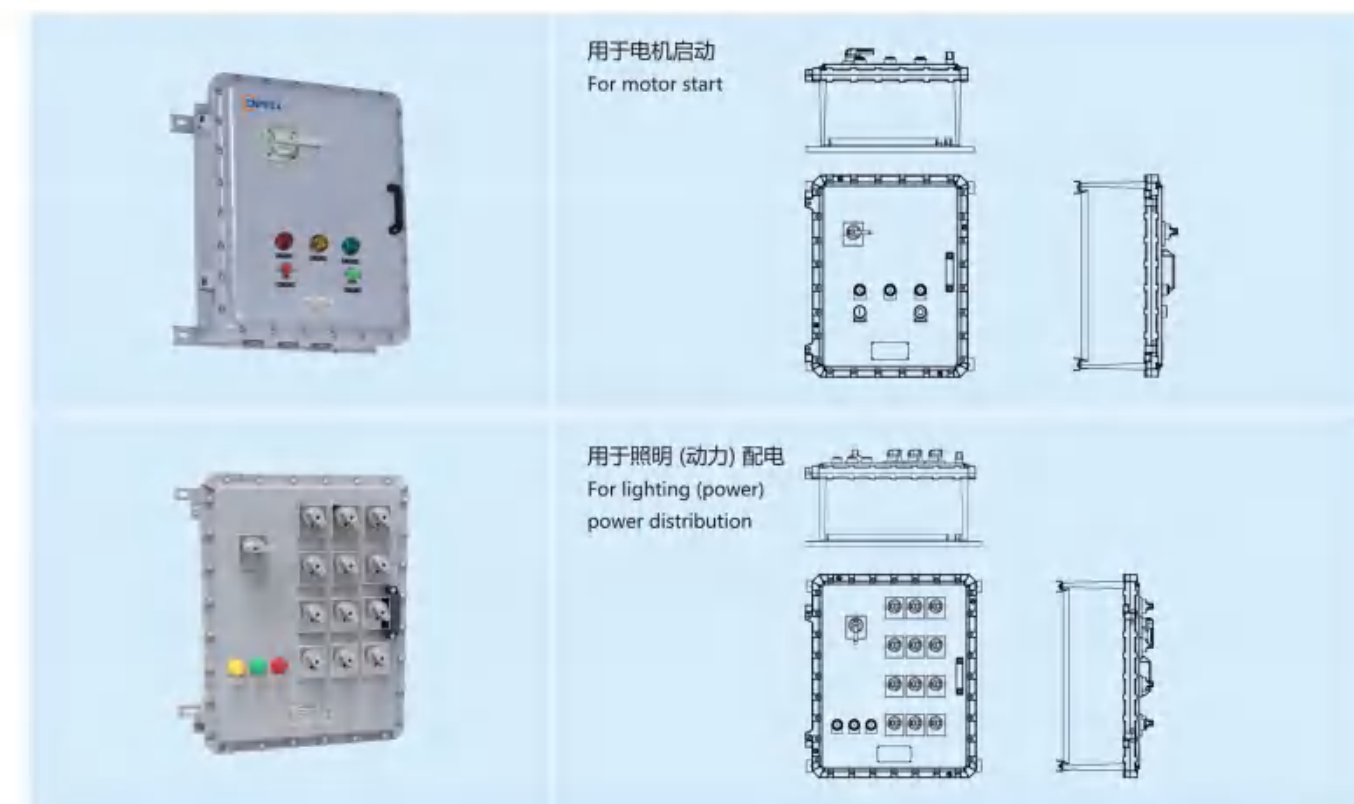
G CN510 防爆配电装置用于配电箱 CN510 Explosion-proof power distribution device for power distribution box

用于配电系统中动力单元 Used for power unit in power distribution system

- 注: 1. CN510 配电箱单元内置小型断路器(MCB)或塑壳断路器(MCCB), 交流接触器, 热过载继电器, PLC编程器, 软启动器, 按钮组件, 指示灯组件, 控制开关和电流表/电压表等。
2. CN510 动力单元可用于线路中作配电或电路通断之用, 也用于对电动机的启动、停止、正反转控制及对电机的综合保护, 可设置两地控制或多地控制。
3. 可根据客户要求定制, 并始终符合证书使用的限制, 盖板元件数量, 侧面最大孔数量, 均满足耗散功率和外壳机械强度要求。

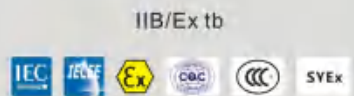
- Note: 1. CN510 distribution box unit has a built-in miniature circuit breaker (MCB) or molded Shell circuit breaker (MCCB), AC contactor, thermal overload relay, PLC programmer, soft starter, button assembly, indication lamp components, control switches and ammeters/voltmeters, etc.
2. CN510 power unit can be used in the circuit for power distribution or circuit on and off. It can also be used for the start, stop, forward and reverse control of the motor and the comprehensive protection of the motor. It can be set up for two-site control system or multiple control.
3. It can be customized according to customer requirements and always meets the restrictions of the certificate. The number of cover elements and the maximum number of holes on the side meet the requirements of power dissipation and mechanical strength of the housing.

G 用于配电箱方案举例示意图 Schematic diagram of an example for a distribution box





CN510-G
系列防爆控制配电装置
Series Explosion-proof control
power distribution device



G 产品概述 Product overview

- ◆ 防爆性能符合
-CENELEC标准 -IEC标准 -NEC标准
- ◆ 适用于
1区和2区 21区和22区 II类, 1区和2区
II类, 1区, 气体级别 B, C, D
- ◆ 本防爆配电装置为全隔爆型结构(Ex db IIB+H2), 可作为控制和配电系统馈电配电装置(如配电箱, 主电路开关箱, 控制箱, 端子接线箱或电机启动箱等系列产品)。
- ◆ 壳体: 316不锈钢。
- ◆ 配置专用的铰链结构, 使隔爆面在箱子开关时不易损坏, 大大延长箱体使用寿命。
- ◆ 箱体之间可以自由组合安装, 节约空间, 满足各种配电系统的需要。
- ◆ 特殊要求请在订货时注明。
- ◆ Explosion-proof performance conforms to
-CENELEC standard -IEC standard -NEC standard
- ◆ Suitable for zone 1 and zone 2 zone 21 and zone 22 class II, zone 1 and zone 2 class II, zone 1, gas class B, C, D
- ◆ This explosion-proof power distribution device is a fully flameproof structure (Ex d IIB+H2), which can be used as a feeder and power distribution device for control and power distribution systems (if equipped with electric box, main circuit switch box, control box, terminal junction box or motor starter box, etc. series products).
- ◆ Shell: 316 stainless steel.
- ◆ Equipped with a special hinge structure, so that the explosion-proof surface is not easily damaged when the box is opened and closed, and greatly prolongs the service life of the box.
- ◆ The cabinets can be freely combined and installed to save space and meet the needs of various power distribution systems.
- ◆ Please indicate special requirements when ordering.

1区& 2区; 21区& 22区
zone1, zone2, zone21, zone22

G 型号含义 Model meaning

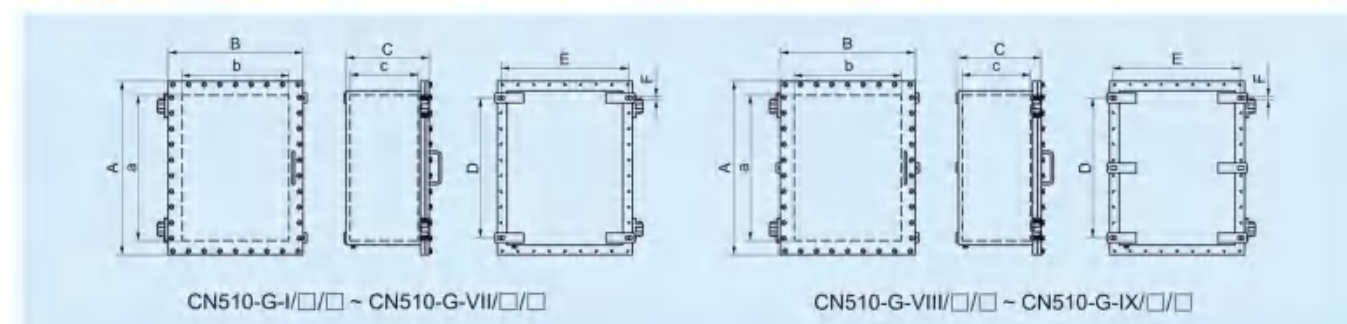
CN510-G-□/□/□
□ □ □ □ □

- 防爆控制配电装置 Explosion-proof control power distribution device
- 不锈钢材质 Stainless steel material
- 规格代号 Specification code (I, II...)
- 额定电压 Rated voltage (V)
- 额定电流 Rated current (A)

G 技术参数 Technical parameter

防爆控制配电装置 Explosion-proof control power distribution device	CN510-G-□/□/□
防爆型式 Explosion proof type 气体防爆型式 Gas explosion proof type 粉尘防爆型式 Dust explosion proof type	Ex II2G Ex db IIB T4/T5/T6 Gb Ex II2D Ex tb IIIC T130°C/T95°C/T80°C Db
执行标准 Executive standard	GB/T 3836.1, GB/T 3836.2, GB/T 3836.31 EN 60079-0, EN 60079-1, EN 60079-31, IEC 60079-0, IEC 60079-1, IEC 60079-31
壳体材质 Shell material	316不锈钢 316 Stainless steel
外露紧固件 Exposed fasteners	不锈钢 Stainless steel
电源断路器 Power circuit breaker	小型断路器(MCB)或塑壳断路器(MCCB) Miniature circuit breaker(MCB) or Molded shell circuit breaker(MCCB)
支路开关 Branch switch	小型断路器(MCB)或塑壳断路器(MCCB) Miniature circuit breaker(MCB) or Molded shell circuit breaker(MCCB)
接线端子 Terminal block	国际知名品牌端子 Internationally renowned brand terminal block
指示灯 Indicator light	红色、绿色、黄色、蓝色 Red, Green, Yellow, Blue
按钮 Button	红色、绿色、黄色 Red, Green, Yellow
控制开关 Control switch	Hk系列控制开关组件 Hk series control switch assembly
交流接触器 AC contactor	国际知名品牌 International well-known brand
热过载继电器 Thermal overload relay	国际知名品牌 International well-known brand
PLC编程器 Programmer	国际知名品牌 International well-known brand
软启动器 Soft starter	国际知名品牌 International well-known brand
额定电压 Rated voltage	Max. 1000V AC 50/60Hz
额定电流 Rated current	Max. 1200A
防护等级 Protection level	IP65、IP66
周围环境温度 Ambient temperature	-60°C~+60°C
电缆引入口 Cable entry	标准M□×1.5堵头(进线孔大小根据实际需求加工), NPT螺纹可定制 Standard M□×1.5 Plugging(the size of the inlet hole is processed according to actual needs), NPT thread can be customized
电缆引入装置(可选) Cable entry device(optional)	推荐使用 Recommend to use CN970-II (Ex db)或CN970-III(Ex db)
进线口方向 Inlet direction	下进下出 Bottom in and bottom out
安装方式 Installation method	壁挂式(标准) Wall-mounted (standard) / 支架式(可选) Bracket type (optional)

G 外形示意图 (所有尺寸单位为mm) - 可修改 Outline diagram (all dimension in mm)-can be modified





G CN510-G 防爆配电装置选配表 CN510-G Explosion-proof power distribution device selection table

型号 Model	最大耗散功率(W) Maximum power dissipation			最大额定电流 Maximum rated current	外部尺寸 Outside size			内部尺寸 Internal dimensions			安装尺寸 Installation size		
	T4/T130°C	T5/T95°C	T6/T80°C		A	B	C	a	b	c	D	E	F
CN510-G-I	200	120	80	63A	250	200	170	192	142	135	160	180	9
CN510-G-II	200	120	80	63A	300	200	170	242	142	135	210	180	10
	240	140	100	100A	350	200	200	292	142	163	260	190	10
CN510-G-III	290	170	125	160A	350	300	200	292	242	168	260	290	10
	350	200	130	200A	350	300	270	292	242	238	260	290	10
CN510-G-IV	420	230	140	250A	450	350	280	362	262	233	330	318	10
	500	280	160	320A	450	350	280	362	262	233	330	318	10
CN510-G-V	520	320	190	400A	560	400	210	468	308	163	420	370	14
	620	350	200	500A	560	400	280	468	308	225	420	370	14
CN510-G-VI	660	380	220	630A	634	434	265	542	342	218	494	404	14
	660	380	220	630A	634	434	335	542	342	319	494	404	14
CN510-G-VII	700	400	250	800A	720	560	275	628	468	228	580	530	14
	700	400	250	1000A	720	560	345	628	468	298	580	530	14
CN510-G-VIII	800	500	350	1000A	980	720	325	884	624	272	840	690	14
	800	500	350	1000A	980	720	425	884	624	372	840	690	14
CN510-G-IX	1000	600	500	1200A	1280	900	350	1184	804	297	1140	870	14
	1000	600	500	1200A	1280	900	500	1184	804	447	1140	870	14

注：电缆引入口装置，推荐使用C970-II(Ex db)或CN970-III(Ex db)。
Note: For cable entry device, it is recommended to use C970-II (Ex db) or CN970-III (Ex db).

G CN510-G 防爆配电装置用于接线箱 CN510-G Explosion-proof power distribution device for junction box

用于配电系统中接线箱单元
Used for junction box unit in power distribution system

注：1. CN510-G接线箱单元接线端子排布有多种不同的排布方式。
2. 可根据客户要求定制，并始终符合证书使用的限制，最大端子数量，侧面最大孔数量，均满足耗散功率和外壳机械强度要求。
3. 本表格仅供参考。

Note: 1. CN510-G junction box unit wiring terminals are arranged in many different ways.
2. It can be customized according to customer requirements and always meets the restrictions of the certificate. The maximum number of terminal block and the maximum number of holes on the side meet the requirements of power dissipation and mechanical strength of the enclosure.
3. This form is for reference only.

G CN510-G 防爆配电装置用于接线箱举例 CN510-G Explosion-proof power distribution device used in junction box example

最大合适端子数见表 The maximum number of suitable terminal block is shown in the table

型号 Model	端子排布 Terminal layout	端子大小(mm ²) Terminal size (mm ²)									
		2.5	4	6	10	16	35	70	120	185	300
CN510-G-I		20	18	15	12	9	—	—	—	—	—

G CN510-G 防爆配电装置用于接线箱举例 CN510-G Explosion-proof power distribution device used in junction box example

最大合适端子数见表 The maximum number of suitable terminal block is shown in the table

型号 Model	端子排布 Terminal layout	端子大小(mm ²) Terminal size (mm ²)									
		2.5	4	6	10	16	35	70	120	185	300
CN510-G-II		28	25	21	18	15	5	—	—	—	—
CN510-G-IIB		36	32	28	24	20	5	—	—	—	—
		72	64	56	24	20	10	5	—	—	—
CN510-G-III		72	64	56	24	20	10	5	—	—	—
		100	90	80	60	25	15	10	5	—	—
CN510-G-IV		100	90	80	60	25	15	10	5	—	—
		140	130	100	80	70	24	18	5	5	5
CN510-G-V		140	130	100	80	70	24	18	5	5	5
		160	140	120	100	80	56	22	10	5	5
CN510-G-VI		160	140	120	100	80	56	22	10	5	5



G CN510-G 防爆配电装置用于接线箱举例 CN510-G Explosion-proof power distribution device used in junction box example

最大合适端子数见表 The maximum number of suitable terminal block is shown in the table

型号 Model	端子排布 Terminal layout	端子大小(mm ²) Terminal size (mm ²)									
		2.5	4	6	10	16	35	70	120	185	300
CN510-G-VII		90	80	70	60	40	25	25	14	10	5
		270	240	210	165	135	64	25	12	10	5
		270	240	210	165	135	64	25	12	10	5
CN510-G-VIII		264	248	200	160	136	90	72	42	—	—
		396	372	300	240	204	135	—	—	—	—
		640	600	488	392	328	165	90	24	18	16
CN510-G-IX		360	340	272	220	184	124	100	56	40	—
		540	510	408	330	276	186	—	—	—	—

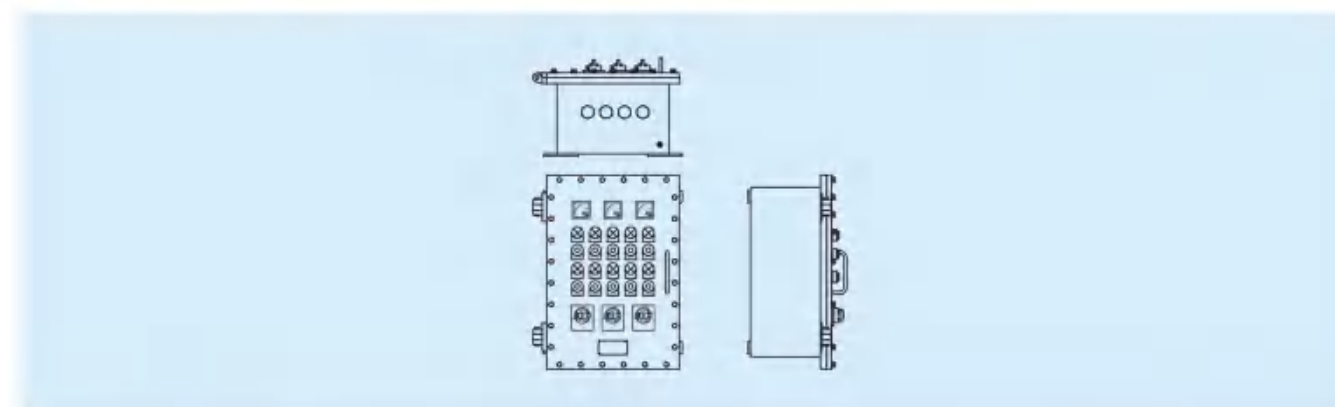
G CN510-G 防爆配电装置用于控制箱 CN510-G Explosion-proof power distribution device for control box

用于配电系统中控制单元 Used for control unit in power distribution system

- 注: 1. CN510-G 控制箱单元内置按钮组件, 指示灯组件, 控制开关和电流表/电压表等。
2. CN510-G 控制箱单元可用于电路的通断操作, 也可实现远控或就地控制电动机启动、停止、正转、反转等操作。带电流表时还可对电机运行或电路状态进行监控。
3. 可根据客户要求定制, 并始终符合证书使用的限制, 盖板元件数量, 侧面最大孔数量, 均满足耗散功率和外壳机械强度要求。

- Note: 1. CN510-G control box unit has built-in button assembly, indicator light assembly, control switch and ammeter/voltage meter, etc.
2. CN510-G control box unit can be used for the on-off operation of the circuit, and can also realize remote control or local control of the motor start, stop, forward, reverse and other operations. With ammeter the motor operation or circuit status can also be monitored at the time.
3. It can be customized according to customer requirements and always meets the restrictions of the certificate. The number of cover elements and the maximum number of holes on the side meet the requirements of power dissipation and mechanical strength of the housing.

G 用于控制箱方案举例示意图 Schematic diagram of an example for the control box scheme



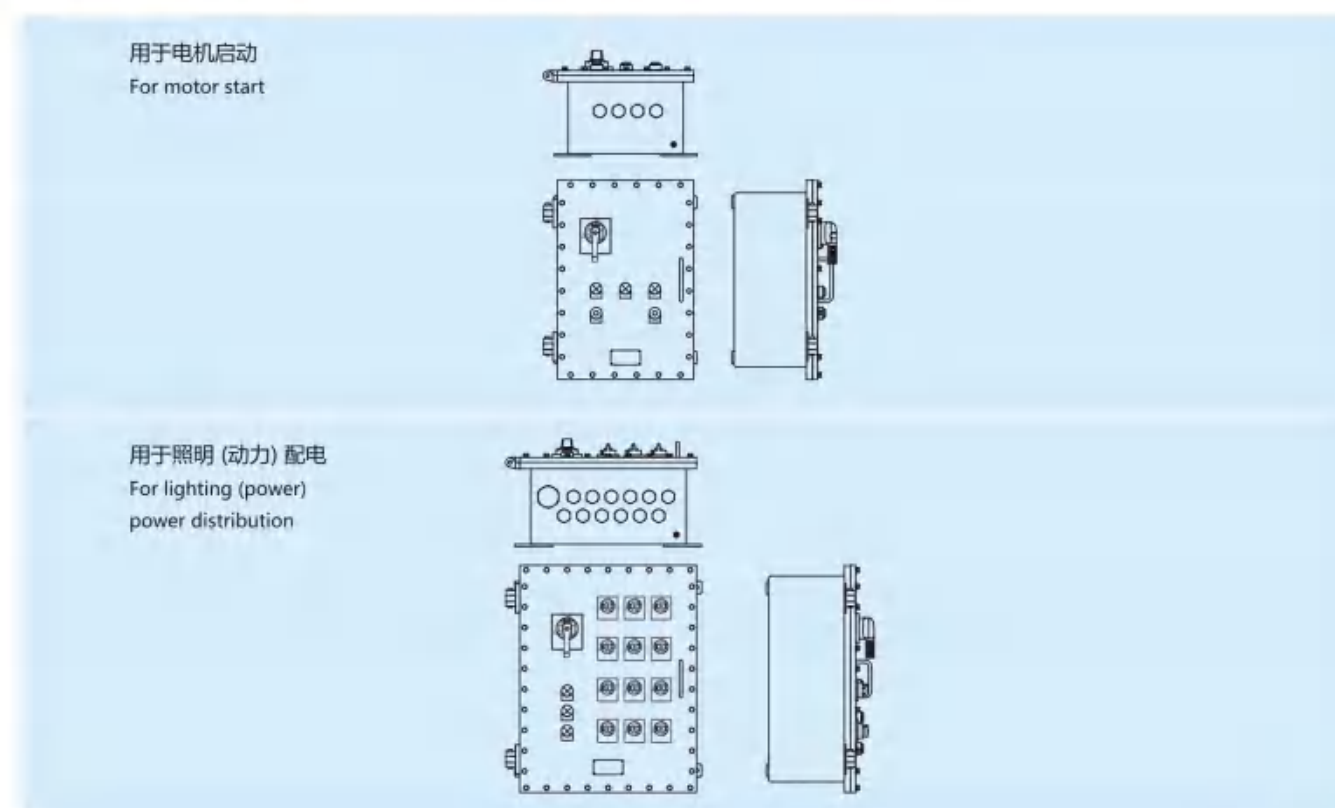
G CN510-G 防爆配电装置用于配电箱 CN510-G Explosion-proof power distribution device for power distribution box

用于配电系统中动力单元 Used for power unit in power distribution system

- 注: 1. CN510-G 配电箱单元内置小型断路器(MCB)或塑壳断路器(MCCB), 交流接触器, 热过载继电器, PLC编程器, 软启动器, 按钮组件, 指示灯组件, 控制开关和电流表/电压表等。
2. CN510-G 动力单元可用于线路中作配电或电路通断之用, 也用于对电动机的启动、停止、正反转控制及对电机的综合保护, 可设置两地控制或多地控制。
3. 可根据客户要求定制, 并始终符合证书使用的限制, 盖板元件数量, 侧面最大孔数量, 均满足耗散功率和外壳机械强度要求。

- Note: 1. CN510-G distribution box unit has a built-in miniature circuit breaker (MCB) or molded shell circuit breaker (MCCB), AC contactor, thermal overload relay, PLC programmer, soft starter, button assembly, finger indicator lamp assembly, control switch and ammeter/voltmeter etc.
2. CN510-G power unit can be used in the circuit for power distribution or circuit on and off, and also used for the start, stop, forward and reverse control of the motor and the comprehensive protection of the motor. Two places can be set control or multiple control.
3. It can be customized according to customer requirements and always meets the restrictions of the certificate. The number of cover elements and the maximum number of holes on the side meet the requirements of power dissipation and mechanical strength of the housing.

G 用于配电箱方案举例示意图 Schematic diagram of an example for a distribution box





CN500-S
系列防爆照明动力
配电装置
(Ex db eb IIC)

CN500-S
Series Explosion-proof lighting
power distribution device
(Ex db eb IIC)

IIC/Ex tb



C 产品概述 Product overview

- ◆ 防爆性能符合
-CENELEC标准 -IEC标准 -NEC标准
- ◆ 适用于
1区和2区 21区和22区 II类, 1区和2区
II类, 2区, 气体组别 A, B, C, D
- ◆ 本防爆配电箱由增安腔体组合而成。
- ◆ 支路开关和总开关通过面板上的操作手柄操作。
- ◆ 出厂时箱体内部接线已连接好至接线端子。
- ◆ 配置国际知名品牌防爆端子。
- ◆ 壳体: GRP(工程塑料)。
- ◆ 进出线口配密封堵头, 用户使用时须另行配置电缆引入装置。
- ◆ 特殊要求请在订货时注明。
- ◆ Explosion-proof performance conforms to
-CENELEC standard -IEC standard -NEC standard
- ◆ Suitable for zone 1 and zone 2 zone 21 and zone 22 class II, zone 1 and zone 2
class II, zone 2, gas group A, B, C, D
- ◆ This explosion-proof distribution box is composed of a safety-increasing cavity.
- ◆ The branch switch and the main switch are operated by the operating handle on
the panel.
- ◆ When leaving the factory, the internal wiring of the box has been connected to the
wiring terminals.
- ◆ Equipped with internationally renowned brand explosion-proof terminals.
- ◆ Shell: GRP(engineering plastic).
- ◆ The inlet and outlet ports are equipped with sealing pluggings, and the user must
be equipped with a cable lead-in device when using it.
- ◆ Please indicate special requirements when ordering.

1区& 2区; 21区& 22区

zone1, zone2, zone21, zone22

C 型号含义 Model meaning

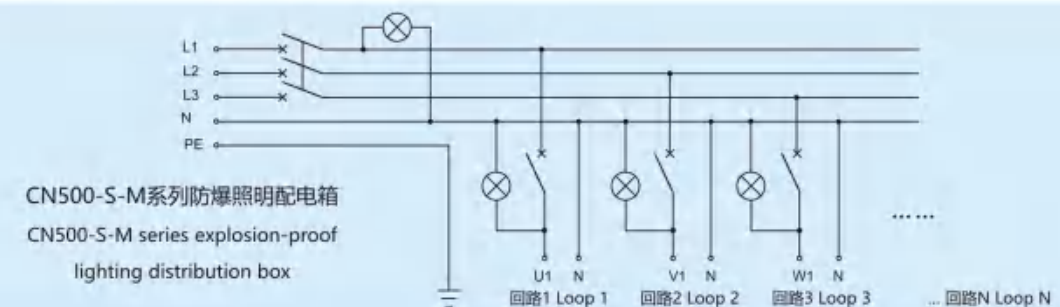
CN500- S - □ - □ / □ / □ / □
□ □ □ □ □ □ □

- 防爆配电装置 Explosion-proof distribution device
- 工程塑料 Engineering plastics
- M: 照明 Lighting D: 动力 Power
- 支路数量 Number of branches
- 支路电流 Branch current
- K: 带总开关 (不带不注) With master switch (without note)
- 总开关电流 Total switching current

C 技术参数 Technical parameter

防爆照明配电装置 Explosion-proof lighting distribution device	CN500- S - M - □ / □ / □ / □
防爆型式 Explosion proof type	Ex II2G Ex db eb IIC T4/T6 Gb
气体防爆型式 Gas explosion proof type	Ex II2D Ex tb IIC T130°C/T80°C Db
粉尘防爆型式 Dust explosion proof type	
执行标准 Executive standard	GB/T 3836.1, GB/T 3836.2, GB/T 3836.3, GB/T 3836.31; EN 60079-0, EN 60079-1, EN 60079-7, EN 60079-31, IEC 60079-0, IEC 60079-1, IEC 60079-7, IEC 60079-31
总电源 Main switch	额定电压 Rated voltage: Max. 690V AC 50/60Hz; 额定电流 Rated current: Max.100A
支路电流 Branch current	1A, 2A, 4A, 6A, 10A, 16A, 20A, 25A, 32A
外露紧固件 Exposed fasteners	不锈钢 Stainless steel
壳体材质 Shell material	GRP(工程塑料 Engineering plastic)
壳体颜色 Shell color	黑色 Black
壳体类型 Shell type	增安壳体 Increased safety shell
内装元件总开关 Built-in component main switch	注: 总开关断路器可带漏电保护功能, 如需要, 请注明 Note: The main switch circuit breaker can be equipped with leakage protection function, if necessary, please specify
内装元件支路开关 Built-in component branch switch	注: 支路开关断路器可带漏电保护功能, 如需要, 请注明 Note: The branch circuit breaker can be equipped with leakage protection function, if necessary, please specify
接线端子 Terminal block	国际知名品牌防爆端子 Internationally renowned brand explosion-proof terminals
指示灯 Indicator light	红色 Red
防护等级 Protection level	IP65, IP66
周围环境温度 Ambient temperature	T5 for Tamb: -20°C~+40°C, T4/T80°C for Tamb: -20°C~+55°C
电缆入口 Cable entry	标准 M□ x 1.5 堵头 Standard M x 1.5 Plugging
电缆引入装置(可选) Cable entry device(optional)	推荐使用 Recommend to use CN970-I (Ex eb)
进线口方向 Inlet direction	下进下出 Bottom in and bottom out
安装方式 Installation method	壁挂式(标准) Wall-mounted (standard)

C 电气原理图 Electrical schematic diagram





G CN500-S-M 系列防爆照明配电装置选配表 CN500-S-M Series Explosion-proof lighting distribution device optional table

型号 Model	描述 Describe					电缆入口 Cable entry
	总开关 Master switch	支路数量 Number of branches	支路开关 Branch switch	支路电流 Branch current	指示灯数量 Number of indicator lights	
CN500-S-M-4/□/□/□	BI8060	4		1A	3	1 x M40 x 1.5 + 4 x M25 x 1.5
CN500-S-M-6/□/□/□				2A		1 x M40 x 1.5 + 6 x M25 x 1.5
CN500-S-M-8/□/□/□	电流 Electric current	8	1P/2P	4A	3	1 x M40 x 1.5 + 8 x M25 x 1.5
CN500-S-M-10/□/□/□				6A		1 x M40 x 1.5 + 10 x M25 x 1.5
CN500-S-M-12/□/□/□	max. 100A	10		10A	3	1 x M40 x 1.5 + 12 x M25 x 1.5
CN500-S-M-4/□				16A		1 x M40 x 1.5 + 4 x M25 x 1.5
CN500-S-M-6/□	—	8	1P/2P	20A	3	1 x M40 x 1.5 + 6 x M25 x 1.5
CN500-S-M-8/□				25A		1 x M40 x 1.5 + 8 x M25 x 1.5
CN500-S-M-10/□		10		32A	3	1 x M40 x 1.5 + 10 x M25 x 1.5
CN500-S-M-12/□				可选 Optional		1 x M40 x 1.5 + 12 x M25 x 1.5

G 订货须知 Ordering instructions

1. 请注明电缆入口的数量和尺寸以及壳体安装面。
 2. 用户提供电气原理图。此外需要光控器、交流接触器或热继电器控制时请用户注明。
 3. 特殊要求请在订货时注明。
 4. 本系列产品可加装防雨罩，如有需要，请在订货时说明。
1. Please indicate the number and size of the cable inlets and the mounting surface of the housing.
 2. The user provides the electrical schematic diagram. In addition, please specify if you need light controller, AC contactor or thermal relay control.
 3. Please specify special requirements when ordering.
 4. This series of products can be equipped with a rain cover, if necessary, please specify when ordering.

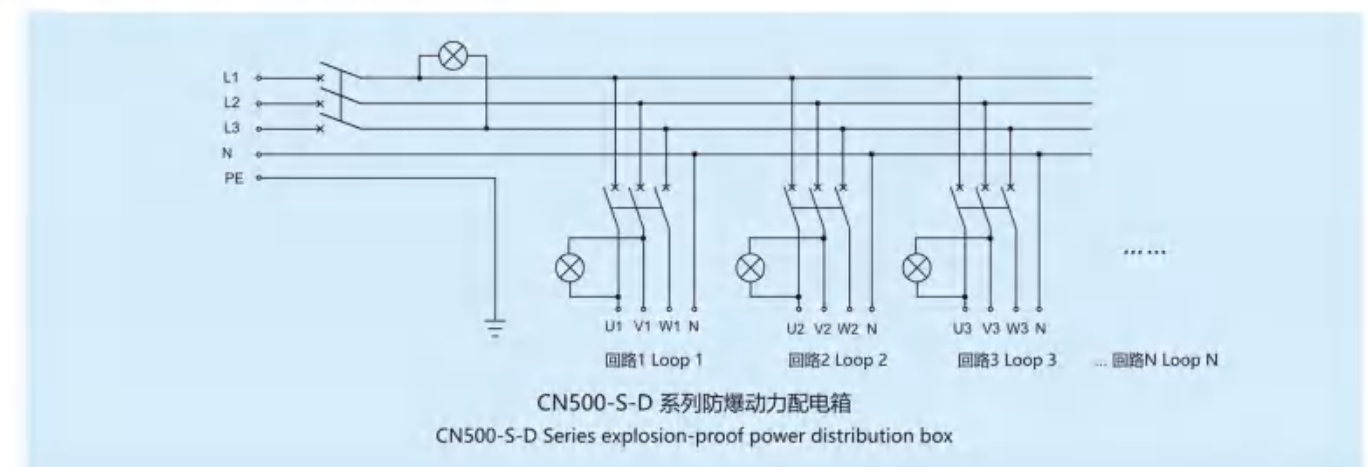
CN500-S 系列防爆照明动力配电装置(Ex db eb IIC)

CN500-S Series Explosion-proof lighting power distribution device(Ex db eb IIC)

G 技术参数 Technical parameter

防爆动力配电装置 Explosion-proof power distribution device	CN500-S-D-□/□/□/□
防爆型式 Explosion proof type	Ex II2G Ex db eb IIC T4/T6 Gb
气体防爆型式 Gas explosion proof type	Ex II2D Ex tb IIIC T130°C/T80°C Db
粉尘防爆型式 Dust explosion proof type	
执行标准 Executive standard	GB/T 3836.1, GB/T 3836.2, GB/T 3836.3, GB/T 3836.31; EN 60079-0, EN 60079-1, EN 60079-7, EN 60079-31, IEC 60079-0, IEC 60079-1, IEC 60079-7, IEC 60079-31
总电源 Main switch	额定电压 Rated voltage: Max. 690V AC 50/60Hz; 额定电流 Rated current: Max. 250A
支路电流 Branch current	1A, 2A, 4A, 6A, 10A, 16A, 20A, 25A, 32A, 40A, 50A, 63A
外露紧固件 Exposed fasteners	不锈钢 Stainless steel
壳体材质 Shell material	GRP(工程塑料 Engineering plastic)
壳体颜色 Shell color	黑色 Black
壳体类型 Shell type	Ex eb
内装元件总开关 Built-in component main switch	注: 总开关断路器可带漏电保护功能, 如需要, 请注明 Note: The main switch circuit breaker can be equipped with leakage protection function, if necessary, please specify
内装元件支路开关 Built-in component branch switch	注: 支路开关断路器可带漏电保护功能, 如需要, 请注明 Note: The branch circuit breaker can be equipped with leakage protection function, if necessary, please specify
接线端子 Terminal block	国际知名品牌防爆端子 Internationally renowned brand explosion-proof terminals
指示灯 Indicator light	红色 Red
防护等级 Protection level	IP65、IP66
周围环境温度 Ambient temperature	T5 for Tamb: -20°C~+40°C, T4/T80°C for Tamb: -20°C~+55°C
电缆入口 Cable entry	标准 Standard M□ x 1.5 堵头 Plugging
电缆引入装置(可选) Cable entry device(optional)	推荐使用 Recommend to use CN970-I (Ex eb)
进线口方向 Inlet direction	下进下出 Bottom in and bottom out
安装方式 Installation method	壁挂式 Wall-mounted

G 电气原理图 Electrical schematic diagram





G CN500-S-D 系列防爆动力配电装置选配表 CN500-S-D Series Explosion-proof power distribution device selection table

型号 Model	描述 Describe					电缆入口 Cable entry	
	总开关 Master switch	支路数量 Number of branches	支路开关 Branch switch	支路电流 Branch current	指示灯数量 Number of indicator lights		
CN500-S-D-4/□/□/□	电流 Electric current max. 250A	4	3P	1A	3	1 x M50 x 1.5 +	
				2A		4 x M25 x 1.5	
				4A			
CN500-S-D-6/□/□/□		6			6A	3	1 x M50 x 1.5 +
				10A		6 x M25 x 1.5	
				16A			
CN500-S-D-8/□/□/□		8			20A	3	1 x M50 x 1.5 +
				25A		8 x M25 x 1.5	
				32A			
CN500-S-D-10/□/□/□		10			40A	3	1 x M50 x 1.5 +
				50A		10 x M25 x 1.5	
				63A			
CN500-S-D-12/□/□/□	12		可选 Optional	3	1 x M50 x 1.5 +		
				12 x M25 x 1.5			
CN500-S-D-4/□	—	4	3P	1A	3	1 x M50 x 1.5 +	
				2A		4 x M25 x 1.5	
				4A			
CN500-S-D-6/□		6			6A	3	1 x M50 x 1.5 +
				10A		6 x M25 x 1.5	
				16A			
CN500-S-D-8/□		8			20A	3	1 x M50 x 1.5 +
				25A		8 x M25 x 1.5	
				32A			
CN500-S-D-10/□		10			40A	3	1 x M50 x 1.5 +
				50A		10 x M25 x 1.5	
				63A			
CN500-S-D-12/□	12		可选 Optional	3	1 x M50 x 1.5 +		
				12 x M25 x 1.5			

G 订货须知 Ordering instructions

1. 请注明电缆入口的数量和尺寸以及壳体安装面。
 2. 用户提供电气原理图。此外需要光控器、交流接触器或热继电器控制时请用户注明。
 3. 特殊要求在订货时注明。
 4. 本系列产品可加装防雨罩，如有需要，请在订货时说明。
1. Please indicate the number and size of the cable inlets and the mounting surface of the housing.
 2. The user provides the electrical schematic diagram. In addition, please specify if you need light controller, AC contactor or thermal relay control.
 3. Please specify special requirements when ordering.
 4. This series of products can be equipped with a rain cover, if necessary, please specify when ordering.

CN500-S 系列防爆照明动力配电装置(Ex db eb IIC)

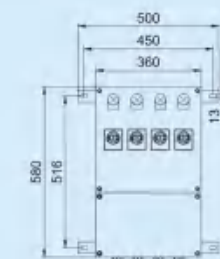
CN500-S Series Explosion-proof lighting power distribution device(Ex db eb IIC)

Power distribution device and box

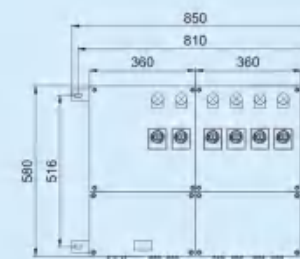
G 外形示意图 (所有尺寸单位为mm) - 可修改 Outline diagram (all dimension in mm)-can be modified

注: 以下方案适用于 Note: The following scheme applies to

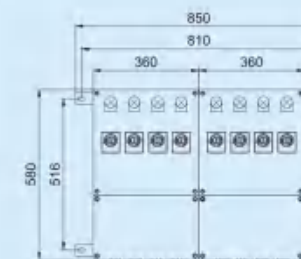
1. CN500-S-M总开关63A, 支路开关(1P/2P)不带漏电保护功能。
 2. CN500-S-D总开关63A, 支路开关(3P)不带漏电保护功能。
 3. CN500-S-M总开关63A, 支路开关(1P)带漏电保护功能。
1. CN500-S-M master switch 63A, branch switch (1P/2P) without leakage protection function.
 2. CN500-S-D main switch 63A, branch switch (3P) without leakage protection function.
 3. CN500-S-M master switch 63A, branch switch (1P) with leakage protection function.



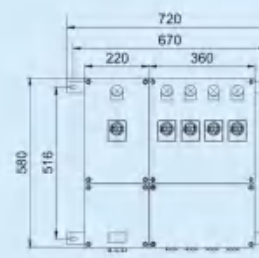
CN500-S-4



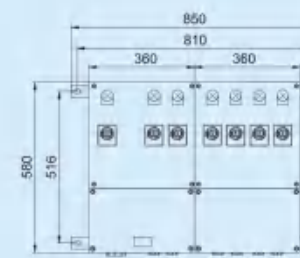
CN500-S-6



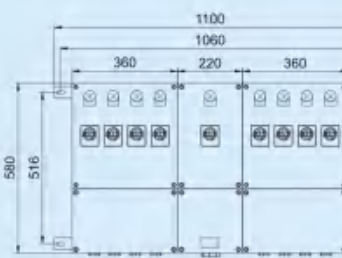
CN500-S-8



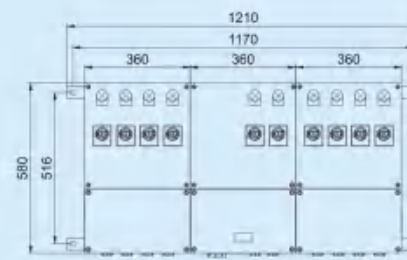
CN500-S-4/K



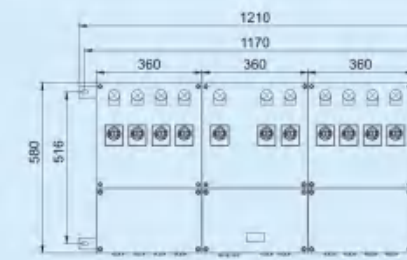
CN500-S-6/K



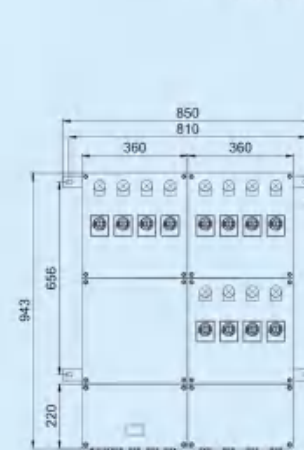
CN500-S-8/K



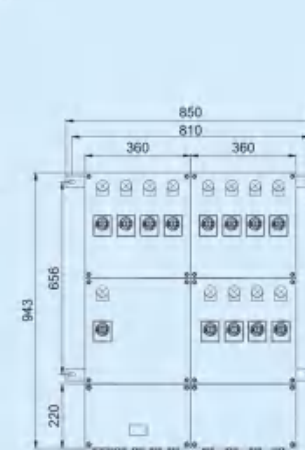
CN500-S-10



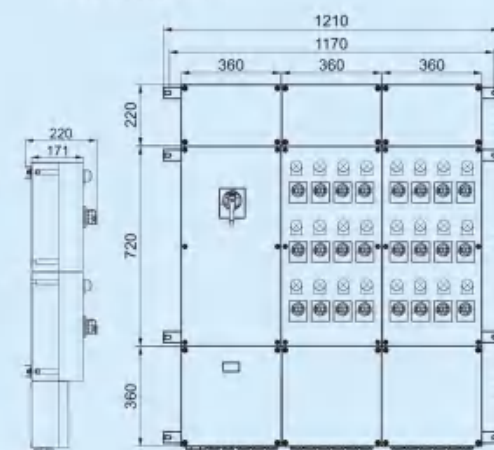
CN500-S-10/K



CN500-S-12



CN500-S-12/K



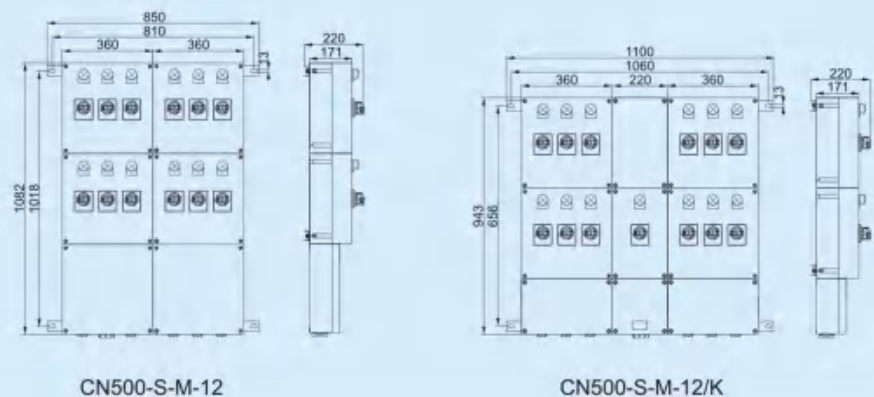
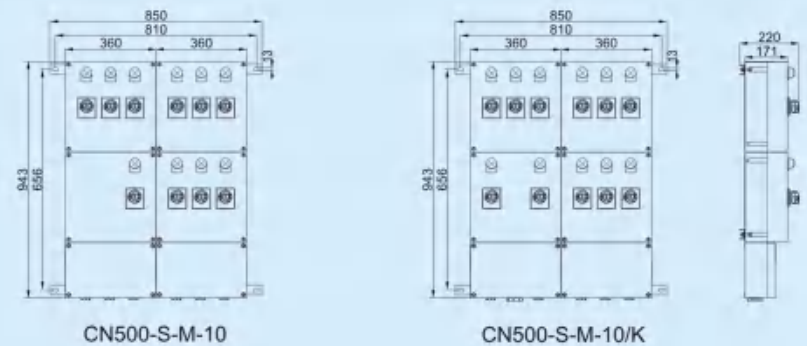
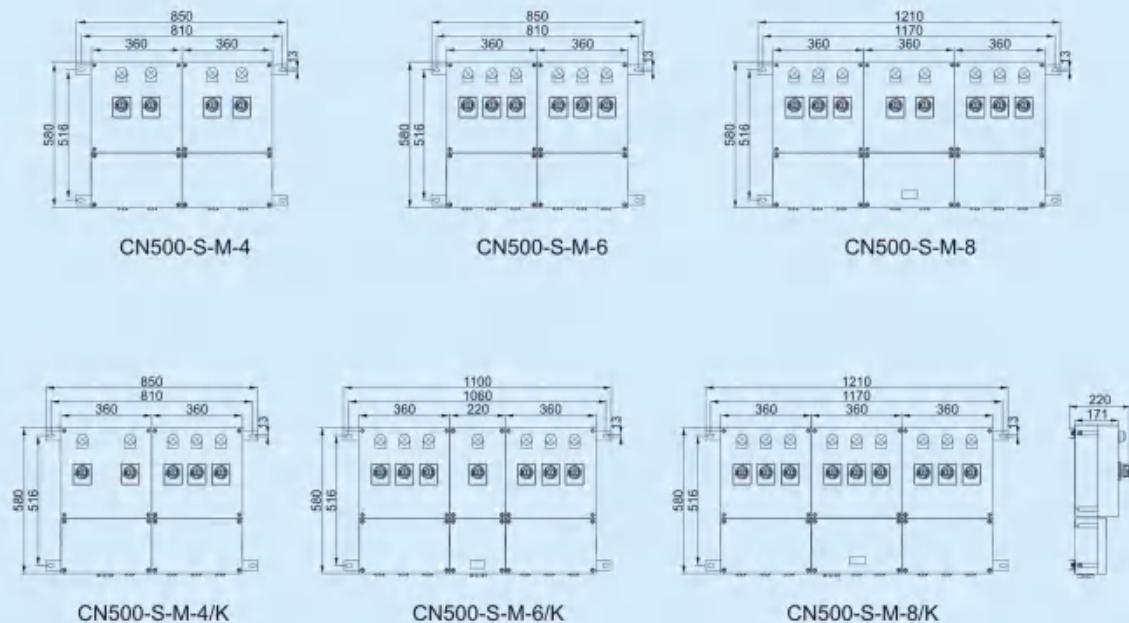
CN500-S-24/K



G 外形示意图 (所有尺寸单位为mm) - 可修改 Outline diagram (all dimension in mm)-can be modified

注: 以下方案适用于CN500-S-M总开关63A, 支路开关(2P)带漏电保护功能;

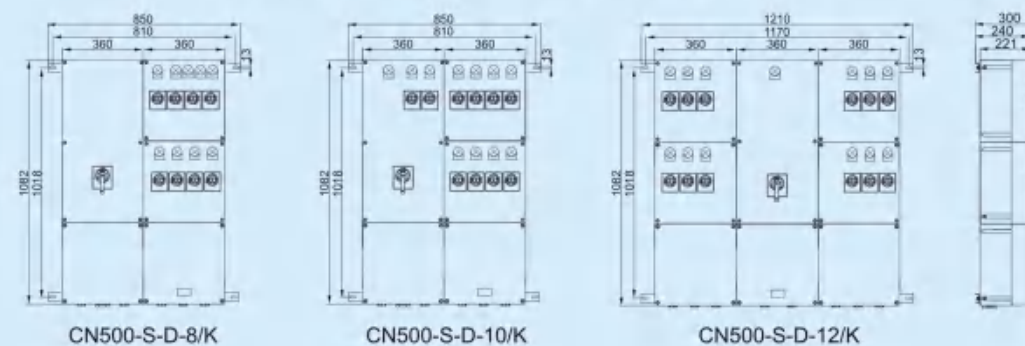
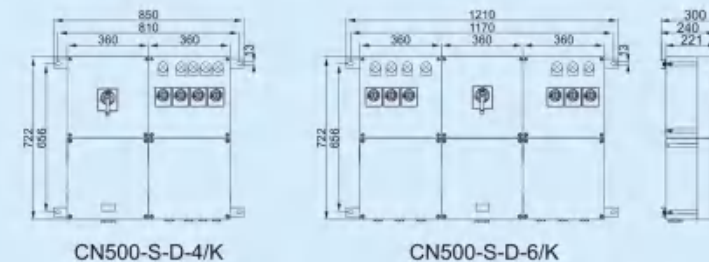
Note: The following scheme is suitable for CN500-S-M master switch 63A, branch switch (2P) with leakage protection function;



G 外形示意图 (所有尺寸单位为mm) - 可修改 Outline diagram (all dimension in mm)-can be modified

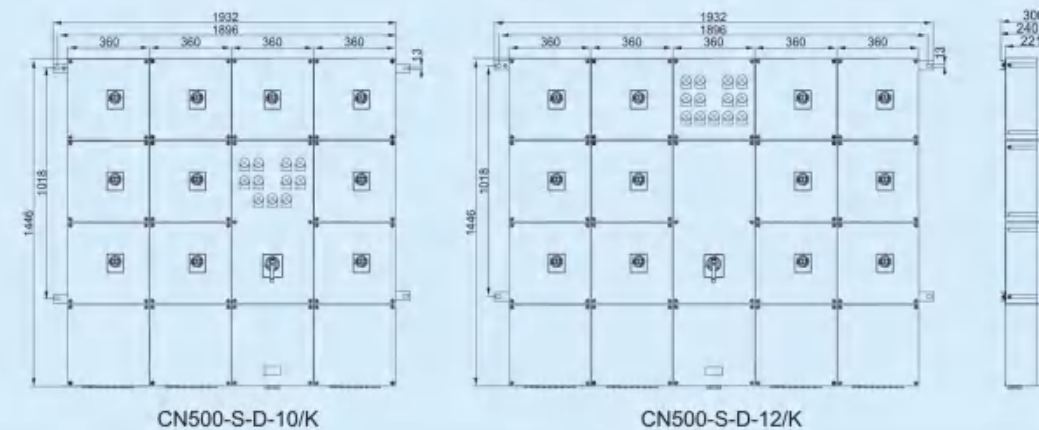
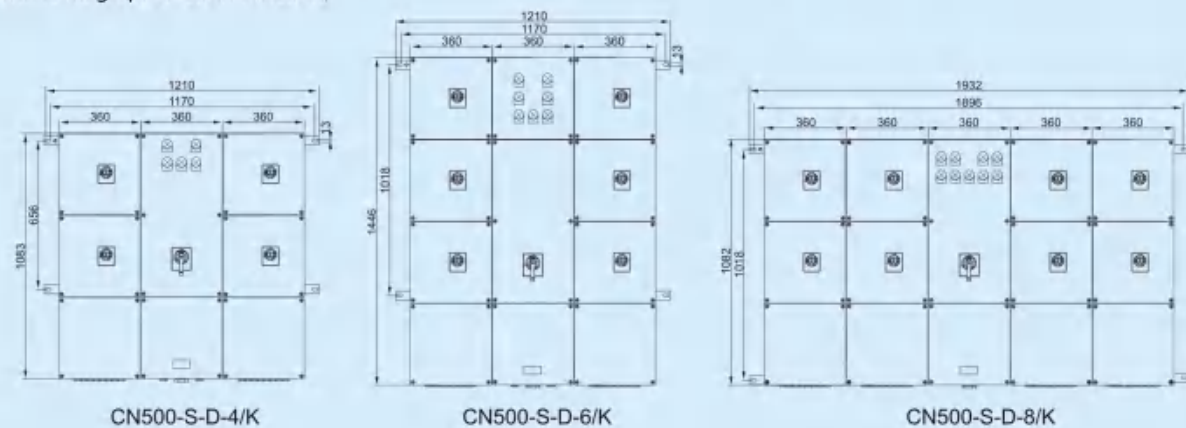
注: 以下方案适用于CN500-S-D总开关80A~160A, 支路开关(3P)不带漏电保护功能;

Note: The following scheme is suitable for CN500-S-D master switch 80A~160A, branch switch (3P) does not have leakage protection function;



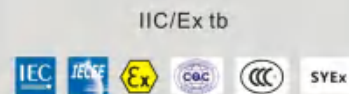
注: 以下方案适用于CN500-S-D总开关80A~160A, 支路开关(3P/4P)带漏电保护功能;

Note: The following scheme is suitable for CN500-S-D master switch 80A~160A, branch switch (3P/4P) with leakage protection function;





CN2081
系列防爆断路器模块
CN2081
Series Explosion-proof circuit
breaker module



G 产品概述 Product overview

- ◆ 防爆性能符合
 - CENELEC标准
 - IEC标准
 - NEC标准
- ◆ 适用于
 - 1区和2区
 - II类, 1区和2区
 - II类, 2区, 气体组别 A, B, C, D
- ◆ 采用隔爆结构, 腔体为工程塑料内嵌高强度金属骨架结构, 产品强度高, 搞腐蚀性性能好, 性能稳定。
- ◆ 内装施耐德iC65系列小型断路器, 内部设置专用的操作机构, 整体操作可靠。
- ◆ Explosion-proof performance conforms to
 - CENELEC standard
 - IEC standard
 - NEC standard
- ◆ Suitable for
 - Zone 1 and Zone 2
 - Class II, Zone 1 and Zone 2
 - Class II, Zone 2, gas group A, B, C, D
- ◆ Explosion-proof structure is adopted, and the cavity is made of engineering plastics with a high-strength metal frame structure embedded in it. the product has high strength and corrosion performance.good, stable performance.
- ◆ Built-in Schneider iC65 series miniature circuit breaker, internally set up a dedicated operating mechanism, the overall operation is reliable.

1区& 2区; 21区& 22区

zone1, zone2, zone21, zone22

G 型号含义 Model meaning

CN 2081 - □/□/□/□/□/□
① ② ③ ④ ⑤ ⑥ ⑦ ⑧

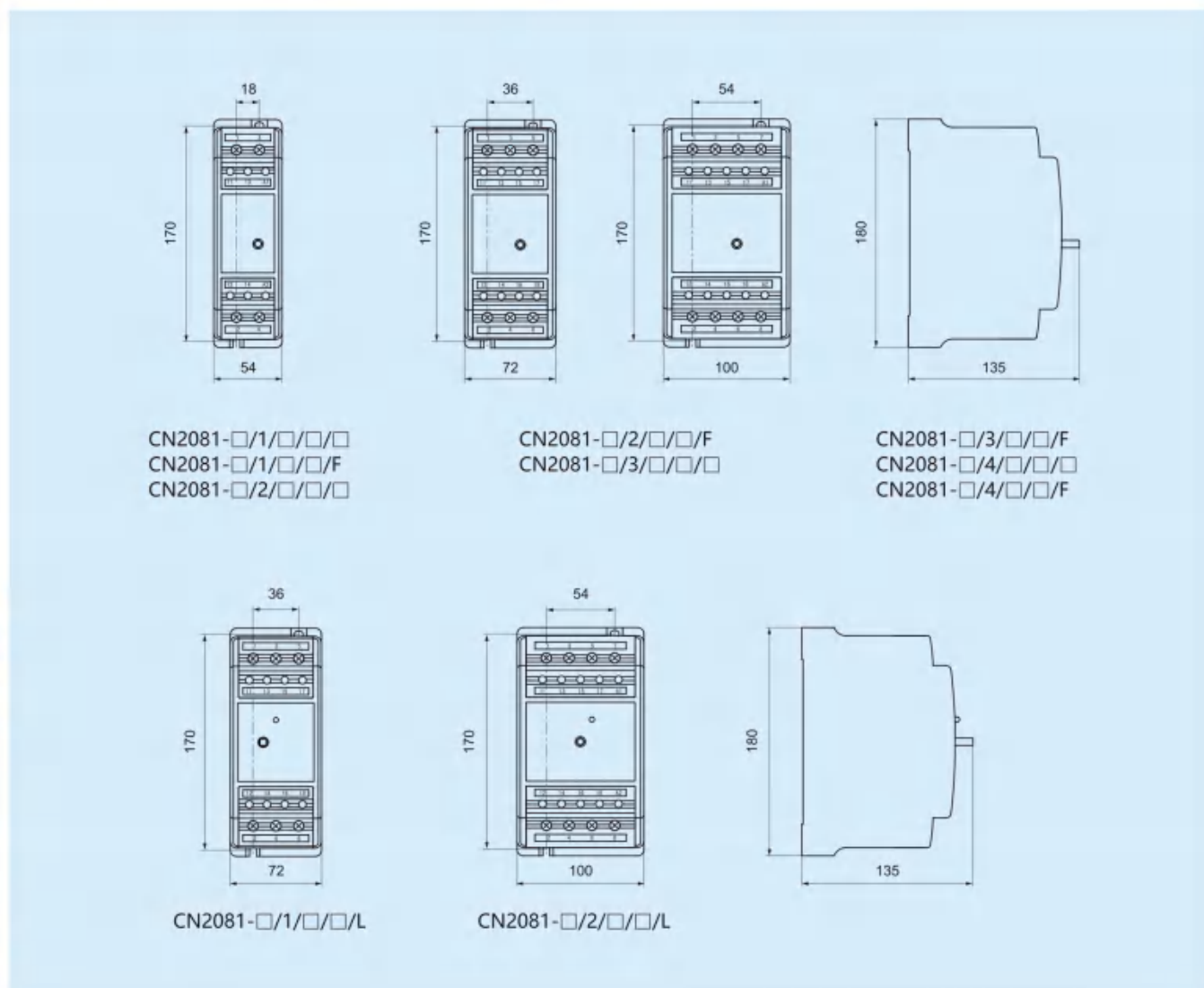
- ① 防爆断路器 Explosion-proof circuit breaker
- ② 设计序号 Design Number
- ③ d: 仅用于 "Ex db" 型 Only for "Ex db" type
- ④ 额定电流 Rated current
- ⑤ 极数 Number of poles
- ⑥ 分断能力 Breaking capacity
- N: 6kA
- H: 10kA
- G: 15kA
- ⑦ C: 照明保护 Lighting protection
- D: 动力保护 Power protection
- ⑧ L: 带漏电(不带不注) Leakage (without without note)
- F: 辅助触点(1NO+1NC, 不带不注) Auxiliary contact (1NO+1NC, without note)

G 技术参数 Technical parameter

防爆断路器模块 Explosion-proof circuit breaker module	CN2081-□/□/□/□/□ (≤63A)					
防爆型式 Explosion proof type	Ex II2G Ex db eb IIC Gb					
执行标准 Executive standard	EN 60079-0, EN 60079-1, EN 60079-7 IEC 60079-0, IEC 60079-1, IEC 60079-7					
壳体材质 Shell material	GRP工程塑料(内嵌高强度金属骨架) Engineering plastic(embedded with high-strength metal frame)					
额定电压 Rated voltage	Max.690V AC					
额定电流 Rated current	1A, 2A, 4A, 6A, 10A, 16A, 20A, 25A, 32A, 40A, 50A, 63A					
额定剩余动作电流 Rated residual operating current	30mA, 300mA, 300mA S S: 欠压脱扣单元(延时型) Undervoltage trip unit (delay type)					
额定剩余电流特性 Rated residual current characteristics	AC, A					
机械寿命 Mechanical life	20000次					
辅助触头 Auxiliary contact	1NO+1NC(OF状态指示触头 Status indicator contact)					
极数 Number of poles	1P, 2P, 3P, 4P, 1PL, 2PL					
周围环境温度 Ambient temperature	-20°C~+70°C					
分断能力 Breaking capacity	Ph.-Ph.(2P,3P,4P)	12~133V	220~240V	380~415V	440V	使用分断能力 Use breaking capacity
	Ph.-N(1P,1P+N)	12~60V	100~133V	220~240V	—	
额定电流 Rated current	1~4A	50kA	50kA	50kA	25kA	100%Icu
	6~63A	36kA	20kA	10kA	6kA	75%Icu



G 外形示意图 (所有尺寸单位为mm) - 可修改 Outline diagram (all dimension in mm)-can be modified



G 选配表 Selection table

型号 Model	额定电压(V) Rated voltage	额定电流(A) Rated current	额定剩余工作电流(mA) Rated residual working current	辅助触头 Auxiliary contact	示意图 Schematic diagram
CN2081-□/1/□/□/□	230/440/690	1, 2, 4, 6, 10 16, 20, 25, 32 40, 50, 63	/	/	
CN2081-□/1/□/□/□/□	230/440/690		/	OF 状态指示触头 OF status indicator contact	
CN2081-□/1/□/□/□/□	230/440/690		30	/	



G 选配表 Selection table

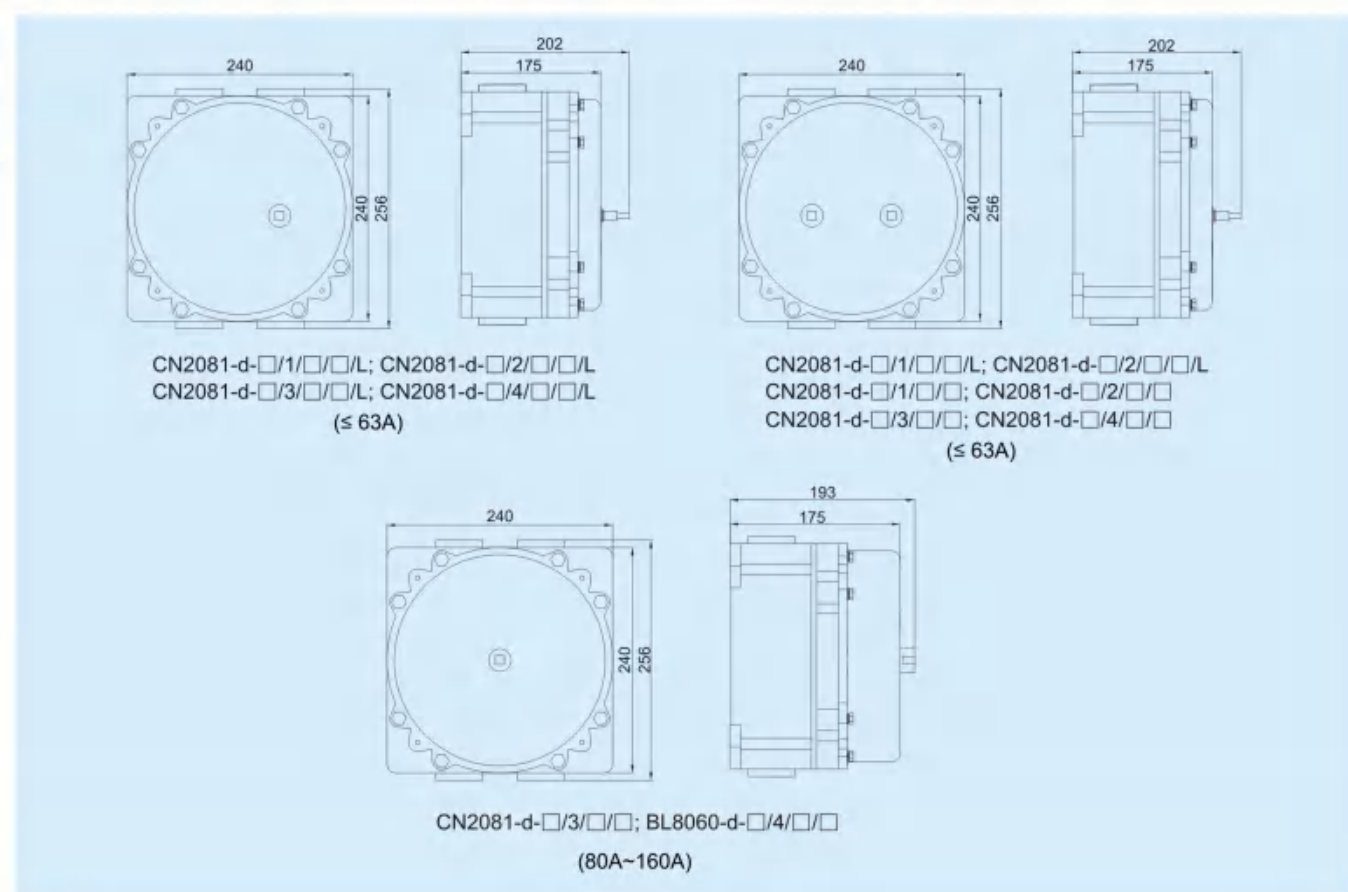
型号 Model	额定电压(V) Rated voltage	额定电流(A) Rated current	额定剩余工作电流(mA) Rated residual working current	辅助触头 Auxiliary contact	示意图 Schematic diagram
CN2081-□/2/□/□/□/□	230/440/690	1, 2, 4, 6, 10 16, 20, 25, 32 40, 50, 63	/	/	
CN2081-□/2/□/□/□/□/□	230/440/690		/	OF 状态指示触头 OF status indicator contact	
CN2081-□/2/□/□/□/□/□	230/440/690		30	/	
CN2081-□/2/□/□/□/□/□	230/440/690	40	300	/	
			300 S	/	
			30	/	
			300	/	
			300 S	/	
			300 S	/	
CN2081-□/3/□/□/□/□/□	230/440/690	1, 2, 4, 6, 10 16, 20, 25, 32 40, 50, 63	/	/	
CN2081-□/3/□/□/□/□/□/□	230/440/690		/	OF 状态指示触头 OF status indicator contact	
CN2081-□/3/□/□/□/□/□/□	230/440/690		30	/	
CN2081-□/3/□/□/□/□/□/□	230/440/690	40	300	/	
			300 S	/	
			30	/	
			300	/	
			300 S	/	
			300 S	/	
CN2081-□/4/□/□/□/□/□/□	230/440/690	1, 2, 4, 6, 10 16, 20, 25, 32 40, 50, 63	/	/	
CN2081-□/4/□/□/□/□/□/□/□	230/440/690		/	OF 状态指示触头 OF status indicator contact	
CN2081-□/4/□/□/□/□/□/□/□	230/440/690		30	/	
CN2081-□/4/□/□/□/□/□/□/□	230/440/690	40	300	/	
			300 S	/	
			30	/	
			300	/	
			300 S	/	
			300 S	/	



G 技术参数 Technical parameter

防爆断路器模块 Explosion-proof circuit breaker module	CN2081-D - □/□/□/□/□						
防爆型式 Explosion proof type	II2G Ex db IIC Gb						
执行标准 Executive standard	EN 60079-0, EN 60079-1, EN 60079-7 IEC 60079-0, IEC 60079-1, IEC 60079-7						
壳体材质 Shell material	无铜铝, 表面喷塑 Copper-free aluminum, plastic sprayed on the surface						
额定电压 Rated voltage	Max. 690V AC						
额定电流 Rated current	Max. 160A						
额定剩余动作电流 Rated residual operating current	30mA, 300mA, 300mA ^⑤ ⑤: 欠压脱扣单元(延时型) Undervoltage trip unit (delay type)						
额定剩余电流特性 Rated residual current characteristics	AC, A						
机械寿命 Mechanical life	20000次						
辅助触头 Auxiliary contact	1NO+1NC(OF状态指示触头 Status indicator contact)						
极数 Number of poles	1P, 2P, 3P, 4P, 1PL, 2PL, 3PL, 4PL(≤63A)						
周围环境温度 Ambient temperature	-20°C~+70°C						
分断能力 Breaking capacity	Ph.-Ph.(3P,4P)	220~230V	380~415V	440V	500V	690V	使用分断能力 Use breaking capacity
	63A	20kA	10kA	6kA	—	—	75%Icu
	额定电流 Rated current	80~160A	120kA	85kA	75kA	50kA	10kA
	200~250A	85kA	50kA	40kA	30kA	8kA	75%Icu

G 外形示意图 (所有尺寸单位为mm) - 可修改 Outline diagram (all dimension in mm) - can be modified



G 选配表 Selection table

型号 Model	额定电压(V) Rated voltage	额定电流(A) Rated current	额定剩余工作电流(mA) Rated residual working current	辅助触头 Auxiliary contact	示意图 Schematic diagram
CN2081-□/3/□/□/□	230/440/690	63, 80, 100, 125, 160, 200, 250	/	/	
CN2081-□/3/□/□/□/□/□	230/440/690		/	OF 状态指示触头 OF status indicator contact	
CN2081-□/3/□/□/□/□/□/□	230/440/690	63	30	/	
			300	/	
			300 ^⑤	/	
CN2081-□/4/□/□/□/□	230/440/690	63, 80, 100, 125, 160, 200, 250	/	/	
CN2081-□/4/□/□/□/□/□	230/440/690		/	OF 状态指示触头 OF status indicator contact	
CN2081-□/4/□/□/□/□/□/□	230/440/690	63	30	/	
			300	/	
			300 ^⑤	/	



CN500-L
系列防爆壳体
(Ex db IIB+H2)铝合金
CN500-L
Series Explosion-proof housing
(Ex db IIB+H2)Aluminum alloy

IIB/Ex tb



C 产品概述 Product overview

- ◆ 防爆性能符合
 - CENELEC标准
 - IEC标准
 - NEC标准
- ◆ 适用于
 - 1区和2区 21区和22区
 - II类, 1区和2区 II类, 1区, 气体组别 C, D
- ◆ 本防爆壳体为隔爆型 (Ex db IIB) 铝合金材质, 低压铸造成型; 外法兰13种规格。
- ◆ 用户可根据实际需要, 安装壳体内部元件, 并在壳体上开电缆引入口。
- ◆ 壳体内部的装置应符合电气设备相关的标准。
- ◆ 特殊要求请在订货时注明。
- ◆ Explosion-proof performance complies with
 - CENELEC standard
 - IEC standard
 - NEC standard
- ◆ Apply to zone 1 and zone 2 zone 21 and zone 22
class II, zone 1 and zone 2 class II, zone 1, gas group C, D
- ◆ The explosion-proof shell is made of flameproof (Ex db IIB) aluminum alloy, formed by low-pressure casting; 13 specifications of outer flanges.
- ◆ The user can install the internal components of the shell according to actual needs, and open the cable inlet on the shell.
- ◆ The devices inside the shell should comply with the relevant standards of electrical equipment.
- ◆ Please indicate special requirements when ordering.

1区& 2区; 21区& 22区

zone1, zone2, zone21, zone22

CN500-L 系列防爆壳体(Ex db IIB+H2)铝合金
CN500-L Series Explosion-proof housing(Ex db IIB+H2)Aluminum alloy

C 型号含义 Model meaning

CN500-L - □ - W	
□	□ □ □
□ 防爆壳体 Explosion-proof housing	
□ 规格代号 Specification code (I, II...)	
□ 外法兰壳体 Outer flange housing	

C 技术参数 Technical parameter

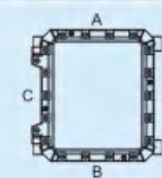
防爆壳体 Explosion-proof housing	CN500-L-□-W	
防爆型式 Explosion proof type	Ex IIB G Ex db IIB Gb	Ex db IIB+H2 Gb
气体防爆型式 Gas explosion proof type	Ex IIB G Ex db IIB Gb	
粉尘防爆型式 Dust explosion proof type	Ex IIB G Ex db IIB Gb	
执行标准 Executive standard	EN 60079-0, EN 60079-1, EN 60079-31 IEC 60079-0, IEC 60079-1, IEC 60079-31	
防护等级 Protection level	IP65、IP66	
内外接地 Grounding inside and outside	I, II: M6/M6; III, IV, V, VI: M6/M8; VII: M8/M8	
周围环境温度 Ambient temperature	-60°C~+100°C	
壳体材质 Shell material	无铜铝, 表面喷塑, 窗灰色 Copper-free aluminum, plastic-sprayed surface, window gray	
外露紧固件 Exposed fasteners	不锈钢 Stainless steel	
安装脚 Mounting feet	碳钢, 表面喷塑 Carbon steel, plastic sprayed on the surface	
合页 Hinge	自带合页 Comes with hinges	

C CN500-L-□-W系列防爆壳体(外法兰)选配表(所有尺寸单位为mm)

CN500-L-□-W series explosion-proof housing (outer flange) option table (all dimension in mm)

进出线口最大可能值 The maximum possible value of the inlet and outlet :

规格Specification	I		II		III				IV					
	A/B	C/D	A/B	C/D	A/B	C/D	A/B	C/D	A/B	C/D				
M20 x 1.5	5	8	5	10	5	12	10	12	16	20	12	16	22	30
M25 x 1.5	5	7	5	9	5	10	9	11	12	15	11	14	15	20
M32 x 1.5	2	3	2	4	2	6	7	9	9	12	9	12	12	16
M40 x 1.5	2	2	2	3	2	4	3	4	5	6	4	5	6	9
M50 x 1.5	1	2	1	3	1	3	3	3	4	5	3	4	5	7
M63 x 1.5	1	2	1	2	1	3	2	3	2	3	3	3	3	5





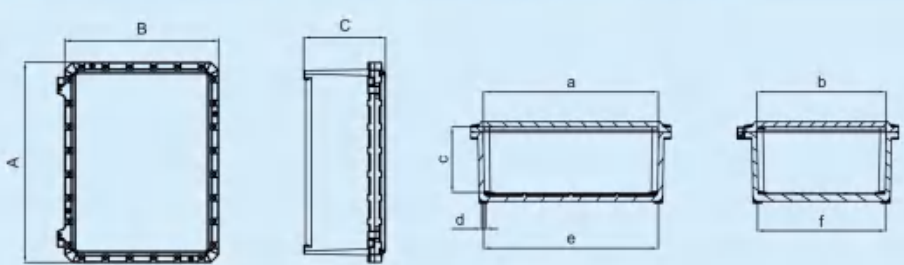
G CN500-L-□-W系列防爆壳体 (外法兰) 选配表 (所有尺寸单位为mm)

CN500-L-□-W series explosion-proof housing (outer flange) option table (all dimension in mm)

规格Specification	V		VI		VII		VIII		IX		X	
	A/B	C/D	A/B	C/D	A/B	C/D	A/B	C/D	A/B	C/D	A/B	C/D
M20 x 1.5	14	21	24	40	20	35	30	50	30	40	45	65
M25 x 1.5	12	19	18	27	18	30	20	36	26	36	30	44
M32 x 1.5	10	15	14	21	15	26	18	30	20	30	25	36
M40 x 1.5	4	7	8	12	8	13	11	18	10	16	15	21
M50 x 1.5	4	5	5	9	6	11	6	10	8	12	12	12
M63 x 1.5	3	5	4	7	3	5	5	9	4	6	7	10

G CN500-L-□-W系列防爆壳体 (外法兰) 选配表 (所有尺寸单位为mm)

CN500-L-□-W series explosion-proof housing (outer flange) option table (all dimension in mm)



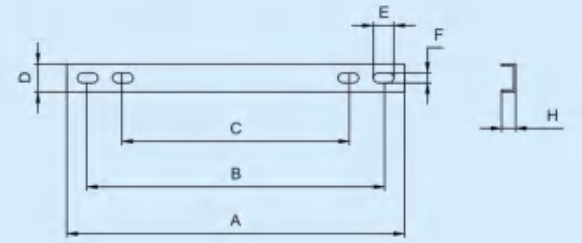
型号 Model	尺寸 Size								
	A	a	B	b	C	c	e	f	d
CN500-L-I-W	250	192	200	142	170	131	180	130	M8
CN500-L-II-W	300	242	200	142	170	131	230	130	M8
	350	292	200	142	170	131	280	130	M8
CN500-L-III-W	350	290	300	240	200	159	280	230	M10
	350	290	300	240	270	229	280	230	M10
CN500-L-IV-W	450	378	350	278	210	163	365	265	M10
	450	378	350	278	280	233	365	265	M10
CN500-L-V-W	560	488	400	328	210	155	475	315	M10
	560	488	400	328	280	225	475	315	M10
CN500-L-VI-W	634	560	434	360	265	205	522	322	M10
	634	560	434	360	335	275	522	322	M10
CN500-L-VII-W	720	640	560	480	275	215	620	460	M12
	720	640	560	480	345	285	620	460	M12

CN500-L 系列防爆壳体 (Ex db IIB+H2) 铝合金

CN500-L Series Explosion-proof housing (Ex db IIB+H2) Aluminum alloy

G CN500-L-□-W系列防爆壳体 (外法兰) 选配表 (所有尺寸单位为mm)

CN500-L-□-W series explosion-proof housing (outer flange) option table (all dimension in mm)



型号 Model	尺寸 Size						
	A	B	C	D	E	F	H
CN500-L-I-W	240	200	130	30	16	10	20
CN500-L-II-W	240	200	130	30	16	10	20
	240	200	130	30	16	10	20
CN500-L-III-W	340	300	230	40	24	12	20
	340	300	230	40	24	12	20
CN500-L-IV-W	400	350	265	40	24	12	20
	400	350	265	40	24	12	20
CN500-L-V-W	450	400	315	40	26	14	20
	450	400	315	40	26	14	20
CN500-L-VI-W	480	430	320	40	26	14	20
	480	430	320	40	26	14	20
CN500-L-VII-W	620	560	460	50	26	14	20
	620	560	460	50	26	14	20



CN500-E
系列防爆壳体(Ex eb)
铝合金
CN500-E
Series Explosion-proof
housing(Ex eb)Aluminum alloy

IIC/Ex tb



G 产品概述 Product overview

- ◆ 防爆性能符合
-CENELEC标准 -IEC标准 -NEC标准
- ◆ 适用于
1区和2区 21区和22区
II类, 1区和2区
II类, 2区, 气体组别 A, B, C, D
- ◆ 无铜铝材质壳体(Ex eb), 8种壳体
- ◆ 用户可根据实际需要, 安装壳体内部元件, 并在壳体上开电缆引入口。
- ◆ 壳体内部的装置应符合电气设备相关的标准。
- ◆ 特殊要求请在订货时注明。
- ◆ Explosion-proof performance conforms to
-CENELEC standard
-IEC standard
-NEC standard
- ◆ Suitable for
Zone 1 and Zone 2 Zone 21 and Zone 22
Class II, Zone 1 and Zone 2
Class II, Zone 2, gas group A, B, C, D
- ◆ Copper-free aluminum shell (Ex eb), 8 kinds of shells
- ◆ The user can install the internal components of the shell according to actual needs, and open the cable inlet on the shell.
- ◆ The devices inside the shell should comply with the relevant standards of electrical equipment.
- ◆ Please indicate special requirements when ordering.

1区& 2区; 21区& 22区

zone1, zone2, zone21, zone22

G 型号含义 Model meaning

CN500-E - □
□ □ □

- 防爆壳体 Explosion-proof housing
- 规格代号 Specification code (I, II, III...)

G 技术参数 Technical parameter

防爆壳体 Explosion-proof housing	CN500-E-□
防爆型式 Explosion proof type	Ex II2G Ex eb IIC Gb
气体防爆型式 Gas explosion proof type	Ex II2D Ex tb IIIC Db
粉尘防爆型式 Dust explosion proof type	
执行标准 Executive standard	EN 60079-0, EN 60079-7, EN 60079-31 IEC 60079-0, IEC 60079-7, IEC 60079-31
防护等级 Protection level	IP65, IP66
周围环境温度 Ambient temperature	-60°C~+100°C
壳体材质 Shell material	无铜铝, 表面喷塑, 窗灰色 Copper-free aluminum, plastic sprayed surface, window gray
外露紧固件 Exposed fasteners	不锈钢 Stainless steel

G CN500-E 系列防爆壳体选配表 (所有尺寸单位为:mm)

CN500-E series explosion-proof housing selection table (all dimensions in mm)

外形尺寸与安装尺寸 Overall dimensions and installation dimensions

型号 Model	外形尺寸 Outline dimension				安装尺寸 Installation size		
	A	B	C	D	E	F	G
CN500-E-I	190	132	127	143	254	232	92
CN500-E-II	190	190	127	143	254	232	150
CN500-E-III	250	190	127	143	314	292	150
CN500-E-IV	250	250	127	143	314	292	210
CN500-E-V	300	200	150	167	364	342	150
CN500-E-VI	300	300	150	167	364	342	250
CN500-E-VII	350	250	150	167	414	392	200
CN500-E-VIII	502	350	150	167	566	544	300

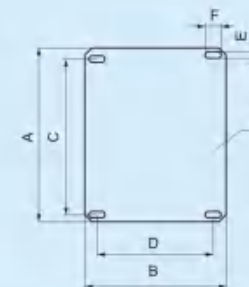
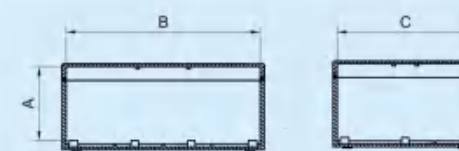
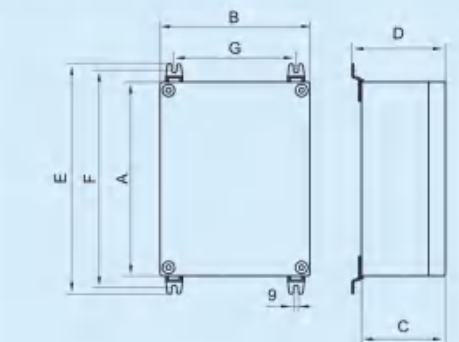
注: 可按要求提供其它尺寸 Note: Other sizes can be provided on request

内部尺寸 Internal outline dimension

型号 Model	尺寸 Size		
	A	B	C
CN500-E-I	108	177	120
CN500-E-II	107	177	177
CN500-E-III	107	237	177
CN500-E-IV	107	235	235
CN500-E-V	130	286	186
CN500-E-VI	130	286	286
CN500-E-VII	130	336	236
CN500-E-VIII	130	488	336

安装板 Mounting plate

型号 Model	尺寸 Size						
	A	B	C	D	E	F	t
CN500-E-I	173	98	162	40	7	13	2
CN500-E-II	173	117	162	40	7	13	2
CN500-E-III	222	106	200	40	7	13	2
CN500-E-IV	220	160	200	124	7	13	2
CN500-E-V	270	170	210	110	7	13	2
CN500-E-VI	270	270	210	210	7	13	2
CN500-E-VII	320	220	260	160	7	13	2
CN500-E-VIII	470	320	402	206	7	13	2





CN500-T
系列防爆壳体(Ex eb)
不锈钢
CN500-T
Series Explosion-proof
housing(Ex eb)Stainless steel

Ex eb/Ex tb



C 产品概述 Product overview

- ◆ 防爆性能符合
-CENELEC标准 -IEC标准 -NEC标准
- ◆ 适用于
1区和2区
II类, 1区和2区
II类, 2区, 气体组别 A, B, C, D
- ◆ 本防爆壳体为增安型 (Ex eb), 不锈钢材质, 7种壳体。
- ◆ 用户可根据实际需要, 安装壳体内部元件, 并在壳体上开电缆引入口。
- ◆ 壳体内部的装置应符合电气设备相关的标准。
- ◆ 特殊要求请在订货时注明。
- ◆ Explosion-proof performance conforms to
-CENELEC standard
-IEC standard
-NEC standard
- ◆ Suitable for
Zone 1 and Zone 2
Class II, Zone 1 and Zone 2
Class II, Zone 2, gas group A, B, C, D
- ◆ The explosion-proof housing is of increased safety (Ex eb), stainless steel, and 7 types of housing.
- ◆ The user can install the internal components of the shell according to actual needs, and open the cable inlet on the shell.
- ◆ The devices inside the shell should comply with the relevant standards of electrical equipment.
- ◆ Please indicate special requirements when ordering.

1区& 2区; 21区& 22区

zone1, zone2, zone21, zone22

CN500-T 系列防爆壳体(Ex eb)不锈钢
CN500-T Series Explosion-proof housing(Ex eb)Stainless steel

C 型号含义 Model meaning

CN500 - T - □
□ □ □

- 防爆壳体 Explosion-proof housing
- 不锈钢 Stainless steel
- 规格代号 Specification code (I, II, III...)

C 技术参数 Technical parameter

防爆壳体 Explosion-proof housing	CN500-T-□
防爆型式 Explosion proof type	Ex II2G Ex eb IIC Gb
执行标准 Executive standard	EN 60079-0, EN 60079-7 IEC 60079-0, IEC 60079-7
防护等级 Protection level	IP65、IP66
内外接地 Grounding inside and outside	M6/M6
周围环境温度 Ambient temperature	-40°C~+60°C
壳体材质 Shell material	不锈钢 Stainless steel
外露紧固件 Exposed fasteners	不锈钢 Stainless steel

C CN500-T 系列防爆壳体选配表 (所有尺寸单位为mm)

CN500-T Series Explosion-proof housing selection table (all dimensions in mm)

外形及安装尺寸 Shape and installation outline dimension

型号 Model	外形尺寸 Outline dimension				安装尺寸 Installation size		
	A	B	C	D	E	F	G
CN500-T-I	120	120	90	100	190	156	80
CN500-T-II	170	150	90	100	260	226	110
CN500-T-III	250	250	150	160	320	286	210
	300	300	150	160	370	336	260
CN500-T-IV	400	300	150	160	470	436	260
	400	300	250	260	470	436	260
CN500-T-V	480	480	150	160	550	516	440
	480	480	250	260	550	516	440
CN500-T-VI	600	500	200	210	670	636	460
	600	500	300	310	670	636	460
CN500-T-VII	860	640	220	230	930	896	600
	860	640	320	330	930	896	600
CN500-T-VIII	1000	800	300	310	870	836	1160

注: 可按要求提供其它尺寸

Note: Other sizes can be provided on request



G CN500-T 系列防爆壳体选配表 (所有尺寸单位为mm)

CN500-T Series Explosion-proof housing selection table (all dimensions in mm)

内部尺寸 Internal outline dimension

型号 Model	尺寸 Size		
	A	B	C
CN500-T-I	60	76	76
CN500-T-II	60	126	106
CN500-T-III	120	206	206
CN500-T-IV	120	243	243
	120	343	243
CN500-T-V	220	343	250
	120	423	423
CN500-T-VI	220	423	423
	170	543	443
CN500-T-VII	270	543	443
	190	803	583
CN500-T-VIII	290	803	583
	270	743	943

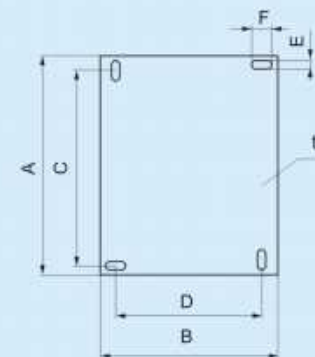


G CN500-T 系列防爆壳体选配表 (所有尺寸单位为mm)

CN500-T Series Explosion-proof housing selection table (all dimensions in mm)

安装板 Mounting plate

型号 Model	尺寸 Size						
	A	B	C	D	E	F	t
CN500-T-I	80	70	60	52	6	10	2
CN500-T-II	110	90	90	70	6	10	2
CN500-T-III	190	190	160	166	6	10	2
CN500-T-IV	240	240	216	216	6	10	2
	340	240	316	216	6	10	2
CN500-T-V	340	240	316	216	6	10	2
	420	420	390	390	6	10	2
CN500-T-VI	420	420	390	390	6	10	2
	540	440	510	410	6	10	2
CN500-T-VII	540	440	510	410	6	10	2
	800	580	770	550	6	10	2
CN500-T-VIII	800	580	770	550	6	10	2
	940	740	916	716	6	10	2





CN500-X
系列防爆壳体(Ex eb)
工程塑料
CN500-X
Series Explosion-proof
housing (Ex eb)
Engineering plastics

Ex eb/Ex tb



C 产品概述 Product overview

- ◆ 防爆性能符合
 - CENELEC标准
 - IEC标准
 - NEC标准
- ◆ 适用于
 - 1区和2区
 - II类, 1区和2区
 - II类, 2区, 气体组别 A, B, C, D
- ◆ 本防爆壳体为增安型 (Ex eb), GRP(工程塑料)材质, 有12种规格尺寸。
- ◆ 用户可根据实际需要, 安装壳体内部元件, 并在壳体上开电缆引入口。
- ◆ 壳体内部的装置应符合电气设备相关的标准。
- ◆ 特殊要求请在订货时注明。
- ◆ Explosion-proof performance conforms to
 - CENELEC standard
 - IEC standard
 - NEC standard
- ◆ Suitable for
 - Zone 1 and Zone 2
 - Class II, Zone 1 and Zone 2
 - Class II, Zone 2, gas group A, B, C, D
- ◆ The explosion-proof housing is made of increased safety (Ex eb), GRP (engineering plastic) material, and has 12 sizes.
- ◆ The user can install the internal components of the shell according to actual needs, and open the cable inlet on the shell.
- ◆ The devices inside the shell should comply with the relevant standards of electrical equipment.
- ◆ Please indicate special requirements when ordering.

1区& 2区; 21区& 22区

zone1, zone2, zone21, zone22

C 型号含义 Model meaning

CN500-X - □
□ □ □

- 防爆壳体 Explosion-proof housing
- 规格代号 Specification code(I, II, III, IV, V, VI, VII)

C 技术参数 Technical parameter

防爆壳体 Explosion-proof housing	CN500-X-□
防爆型式 Explosion proof type	Ex II2G Ex eb IIC Gb
执行标准 Executive standard	EN 60079-0, EN 60079-7 IEC 60079-0, IEC 60079-7
防护等级 Protection level	IP65、IP66
周围环境温度 Ambient temperature	-20°C~+60°C
壳体材质 Shell material	GRP(工程塑料 Engineering plastics)
外露紧固件 Exposed fasteners	工程塑料 Engineering plastics

C CN500-X 系列防爆壳体选配表 (所有尺寸单位为mm)

CN500-X Series Explosion-proof housing selection table (all dimensions in mm)

外形及安装尺寸 Shape and installation dimensions

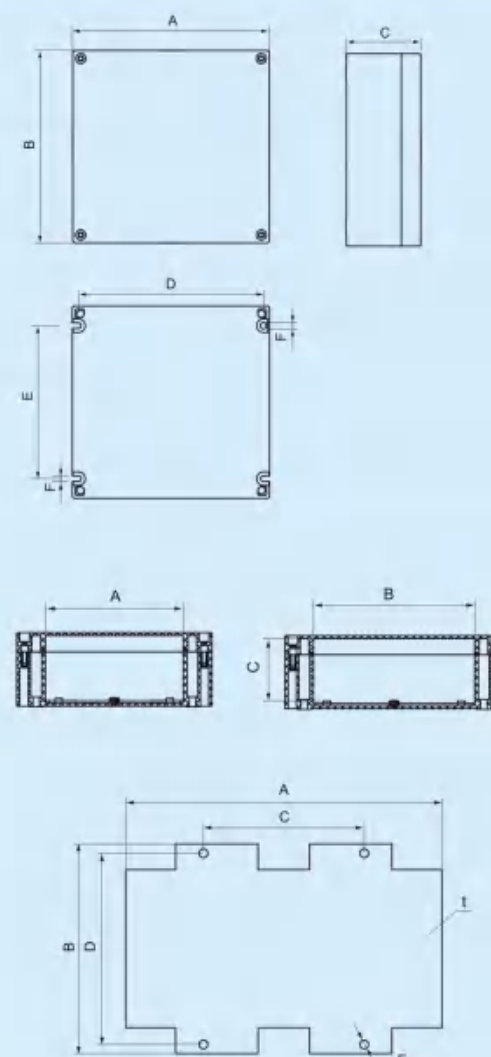
型号 Model	外形尺寸 Outline dimension			安装尺寸 Installation size		
	A	B	C	D	E	F
CN500-X-I	110	139	98	96	91	6.5
CN500-X-II	130	220	109	116	172	6.5
CN500-X-III	179	260	121	163	200	7
CN500-X-IV	220	360	121	200	296	9
	220	360	221	200	296	9
CN500-X-V	360	360	121	340	296	9
	360	360	221	340	296	9
CN500-X-VI	220	220	121	200	156	9
CN500-X-VII	360	721	171.5	340	656	9
	360	721	230	340	656	9

内部尺寸 Internal outline dimension

型号 Model	尺寸 Size		
	A	B	C
CN500-X-I	67	74	81
CN500-X-II	94	148	90
CN500-X-III	130	174	102
CN500-X-IV	169	266	102
	169	266	152
CN500-X-V	169	266	202
	266	309	102
CN500-X-VI	266	309	152
	266	309	202
CN500-X-VI	126	208	102
CN500-X-VII	300	621	152
	300	621	205

安装板 Mounting plate

型号 Model	尺寸 Size					
	A	B	C	D	E	t
CN500-E-I	173	98	162	40	7	2
CN500-E-II	173	117	162	40	7	2
CN500-E-III	222	106	200	40	7	2
CN500-E-IV	220	160	200	124	7	2
CN500-E-V	270	170	210	110	7	2
CN500-E-VI	270	270	210	210	7	2
CN500-E-VII	320	220	260	160	7	2





CN600
系列防爆移动配电箱

CN600
Series Explosion-proof mobile
switchboard

IIC/Ex tb



C 产品概述 Product overview

- ◆ 防爆性能符合
 - CENELEC标准
 - IEC标准
- ◆ 适用于
 - 1区和2区
 - 21区和22区
- ◆ A型(手提式), B型(手推式)两种结构供选用
- ◆ A型(手提式)外壳有不锈钢和GRP(工程塑料)两种材质, 不锈钢产品变压器最大容量为1000VA, GRP(工程塑料)材质产品变压器最大容量为300VA。
- ◆ 多种电压等级供选用。
- ◆ 手提式配5米电缆, 手推式配20米电缆, 亦可根据用户要求定制。
- ◆ 可增变压器功能。
- ◆ Explosion-proof performance conforms to
 - CENELEC standard
 - IEC standard
- ◆ Suitable for
 - Zone 1 and Zone 2
 - Zone 21 and 22
- ◆ A type (portable) and B type (hand push type) two structures are available for selection
- ◆ A type (portable) shells are made of stainless steel and GRP (engineering plastic). The maximum capacity of the stainless steel product is 1000VA, and the maximum capacity of the GRP (engineering plastic) product is 300VA.
- ◆ A variety of voltage levels are available for selection.
- ◆ Portable type with 5m cable, hand-push type with 20m cable, also can be customized according to user requirements.
- ◆ Transformer function can be added.

1区& 2区; 21区& 22区

zone1, zone2, zone21, zone22

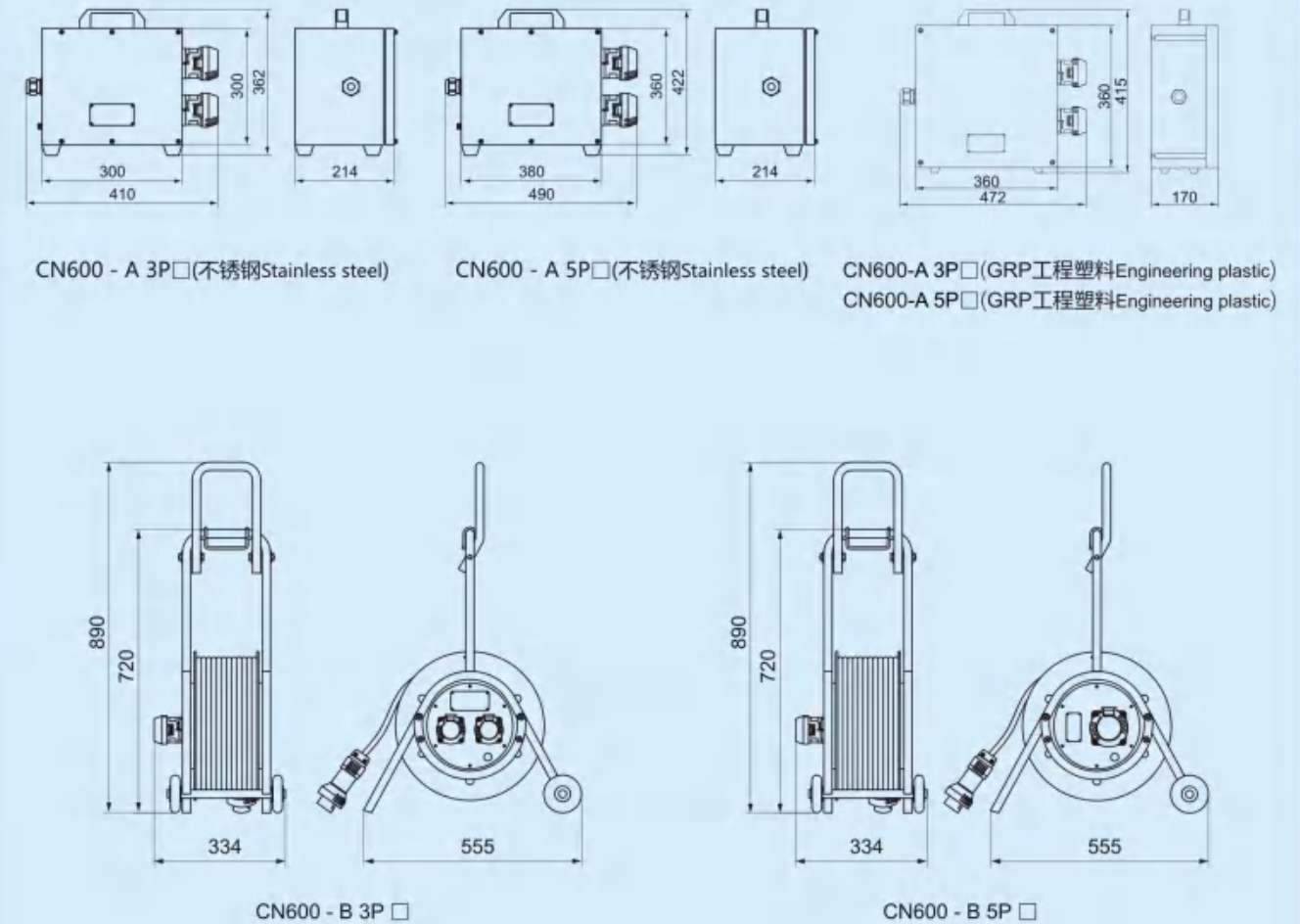
CN600 系列防爆移动配电箱
CN600 Series Explosion-proof mobile switchboard

C 型号含义 Model meaning

CN600 - □/□/□
□ □ □ □

- 防爆移动配电箱 Explosion-proof mobile switchboard
- A: 手提式 Portable
- B: 手推式 Push type
- 极数 Number of poles
- T: 带变压器(不要求不注) With transformer(not required or not)

C 外形示意图 (所有尺寸单位为mm) - 可修改 Outline diagram (all dimensions in mm)-can be modified

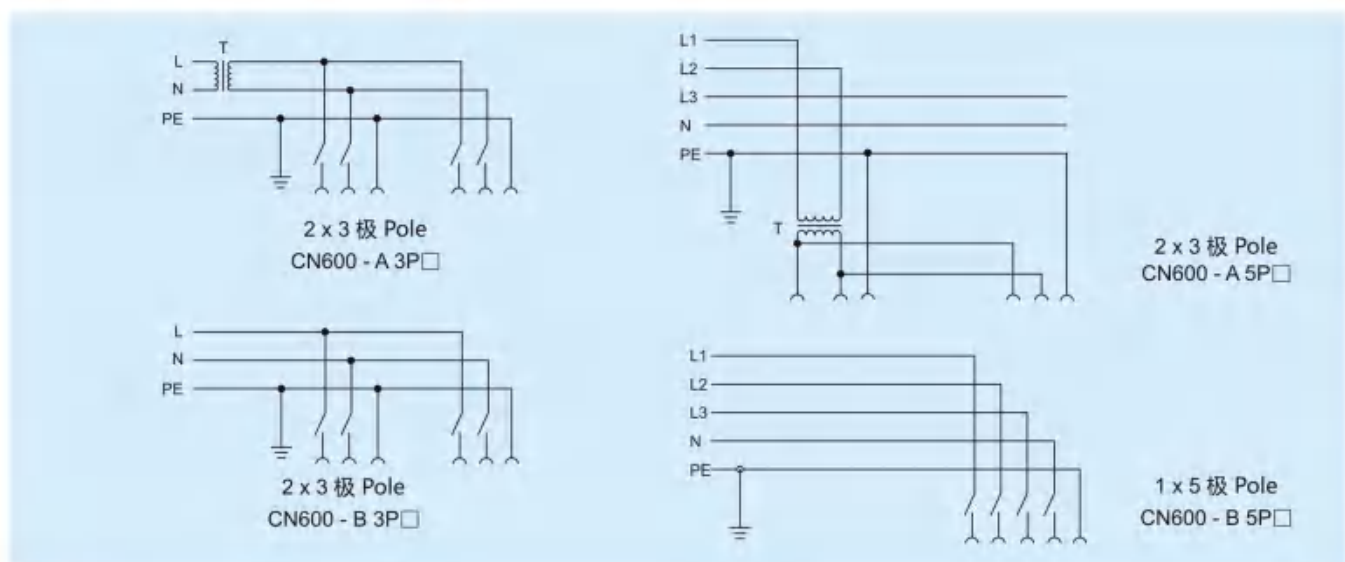




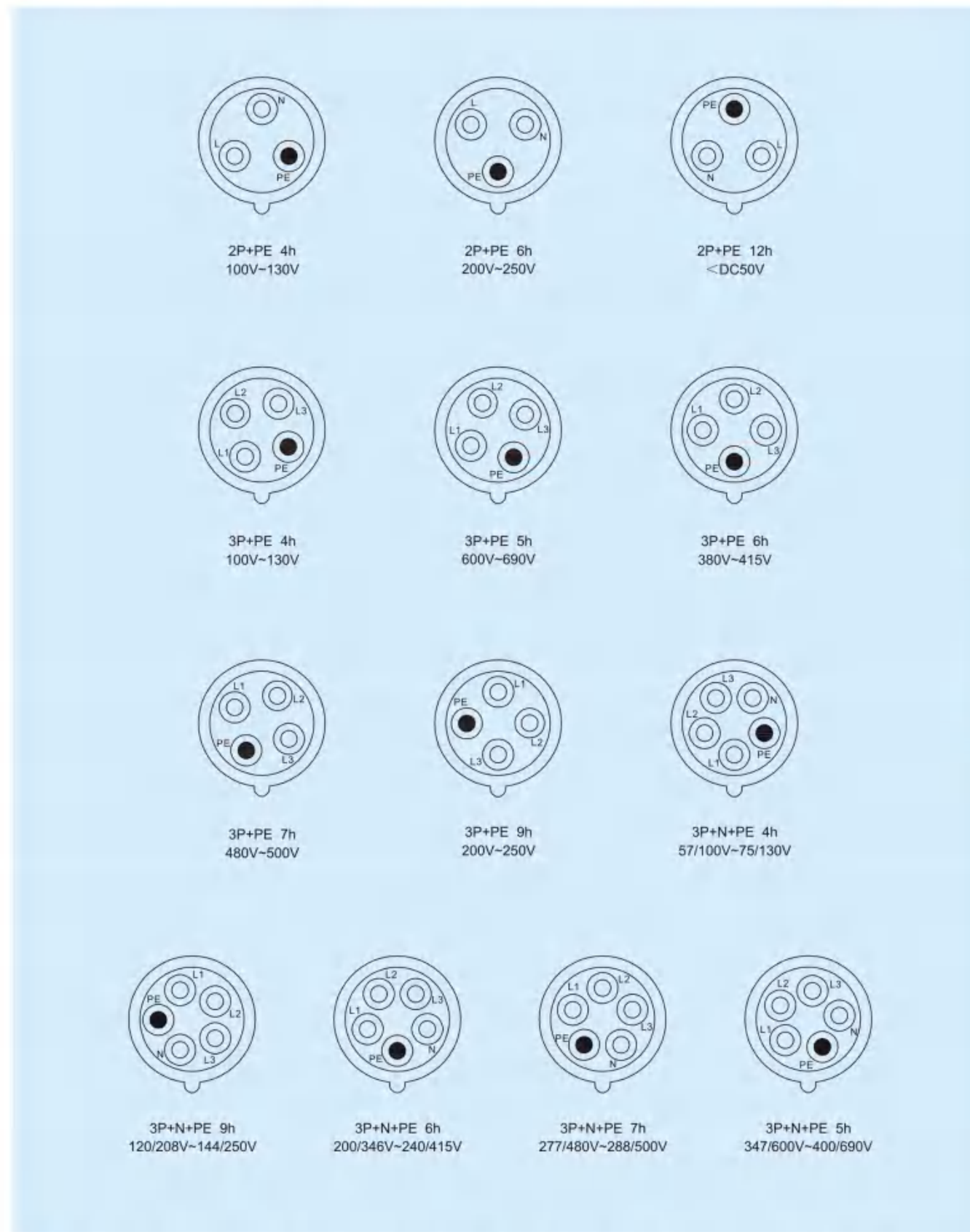
C 技术参数 Technical parameter

防爆移动配电箱 Explosion proof emergency light	CN600-□/□
防爆型式 Explosion proof type	II2G Ex db eb IIC T6 Gb
气体防爆型式 Gas explosion proof type	II2D Ex tb IIIC T80°C Db
粉尘防爆型式 Dust explosion proof type	
执行标准 Executive standard	EN 60079-0, EN 60079-1, EN 60079-7, EN 60079-31 IEC 60079-0, IEC 60079-1, IEC 60079-7, IEC 60079-31
壳体材质(手提式) Shell material(portable)	不锈钢或GRP(工程塑料) Stainless steel or GRP(Engineering plastic)
插头与法兰式插座 Plug and flange socket	GRP(工程塑料 Engineering plastic)
外露紧固件 Exposed fasteners	不锈钢 Stainless steel
插孔/插头数 Number of jacks/plugs	3P (2P+PE 或 1P+N+PE), 5P(3P+N+PE)
额定电压 Rated voltage	3P : 200~250V AC, 5P : 380~415V AC
额定电流 Rated current	16A
防护等级 Protection level	IP65、IP66
周围环境温度 Ambient temperature	-20°C~+55°C
电缆引入口 Cable entry	手提式 Portable: 1 x M25 x 1.5电缆引入装置 Cable entry device(CN970-I Ex eb, 不锈钢 Stainless steel)
手提式 Portable	不锈钢: 8.40kg (配5米电缆); GRP工程塑料: 5.10kg (配5米电缆) Stainless steel: 8.40kg (with 5m cable); GRP Engineering plastic: 5.10kg (with 5m cable)
手推式 Hand push	13.60kg (配20米电缆with 20m cable)
防爆移动配电箱 Explosion proof emergency light	CN600-□T
额定初级电压 Rated primary voltage	3P : 200~250V AC 50Hz (60Hz: 可选 Optional); 5P : 380~415V AC 50Hz (60Hz: 可选 Optional)
额定次级电压 Rated secondary voltage	6V, 24V, 110V, 127V, 220V
容量 Capacity	300VA, 500VA, 1000VA (注: 手提式GRP工程塑料材质产品变压器最大容量仅为300VA) (Note: The maximum capacity of the portable GRP Engineering plastic product transformer is only 300VA)
手提式 Portable	不锈钢: 19.40kg (配5米电缆); GRP工程塑料: 14.50kg (配5米电缆) Stainless steel: 19.40kg (with 5m cable); GRP Engineering plastic: 14.50kg (with 5m cable)
手推式 Hand push	25.20kg (配20米电缆with 20m cable)

C 电气原理图 Electrical schematic diagram



C 正面插座或连接件接地点示意图 Schematic diagram of the grounding point of the front socket or connector



注: 以上列图为我公司系列标准产品的时钟位置、电压、极数关系定位, 产品时钟位置是以插座或连接器的插孔为指示几点钟方向。
Note: The above picture shows the position of the clock, voltage, and the number of poles of our company's standard products. The clock position of the product is based on the socket or connector jack as the indication of the time.



CN610-L
系列防爆插接装置

CN610-L
Series Explosion-proof plug-in
device

IIC/Ex tb



C 产品概述 Product overview

- ◆ 防爆性能符合
 - CENELEC标准
 - IEC标准
 - NEC标准
- ◆ 适用于
 - 1区和2区
 - 21区和22区
 - II类, 1区和2区
 - II类, 1区, 气体组别 A, B, C, D
- ◆ 本产品有4种壳体, 4种电流等级(16A、32A、63A、125A); 极数有3P、4P和5P三种。
- ◆ 只有插座内的开关分断后才能拔出插头, 插入插头后通电。
- ◆ 无铜铝外壳, 表面喷塑。
- ◆ Explosion-proof performance conforms to
 - CENELEC standard
 - IEC standard
 - NEC standard
- ◆ Suitable for
 - Zone 1 and Zone 2
 - Zone 21 and 22
 - Class II, Zone 1 and Zone 2
 - Class II, Zone 1, gas group A, B, C, D
- ◆ This product has 4 kinds of shells, 4 kinds of current levels (16A, 32A, 63A, 125A); the number of poles has three types: 3P, 4P and 5P.
- ◆ The plug can only be pulled out after the switch in the socket is disconnected, and the plug is plugged in and the power is turned on.
- ◆ Copper-free aluminum housing with plastic-sprayed surface.

1区& 2区; 21区& 22区

zone1, zone2, zone21, zone22

CN610-L 系列防爆插接装置
CN610-L Series Explosion-proof plug-in device

C 型号含义 Model meaning

CN610L -□/□/□/□
□ □ □ □ □

- 防爆插接装置 Explosion-proof plug-in device
- 额定电流 Rated current (A)
- 额定电压 Rated voltage (V)
 - 130: 100~130, 57/100~75/130
 - 250: 200~250, 120/208~144/250
 - 415: 380~415, 200/346~240/415
 - 500: 480~500, 277/480~288/500
 - 690: 600~690, 347/600~400/690
- 极数 Number of poles
 - 3P (2P+PE)
 - 4P (3P+PE)
 - 5P (3P+N+PE)
- Z: 插座 Socket
T: 插头 Plug

C 选配表 Selection table

型号 Model	电流(A) Current	电压(V) Voltage	极数 Number of poles	示意图 Schematic diagram	h	颜色 Colour
CN610-L-16/□/□	16	100~130	2P+PE		4	黄色 Yellow
					6	蓝色 Blue
		200~250	3P+PE		4	黄色 Yellow
					9	蓝色 Blue
					6	红色 Red
					7	黑色 Black
					5	黑色 Black
					4	黄色 Yellow
		380~415	3P+N+PE		9	蓝色 Blue
					6	红色 Red
					7	黑色 Black
					5	黑色 Black
					4	黄色 Yellow
					9	蓝色 Blue
		480~500	3P+N+PE		6	红色 Red
					7	黑色 Black
	5			黑色 Black		
	4			黄色 Yellow		
600~690	3P+N+PE		9	蓝色 Blue		
			6	红色 Red		
			7	黑色 Black		
			5	黑色 Black		





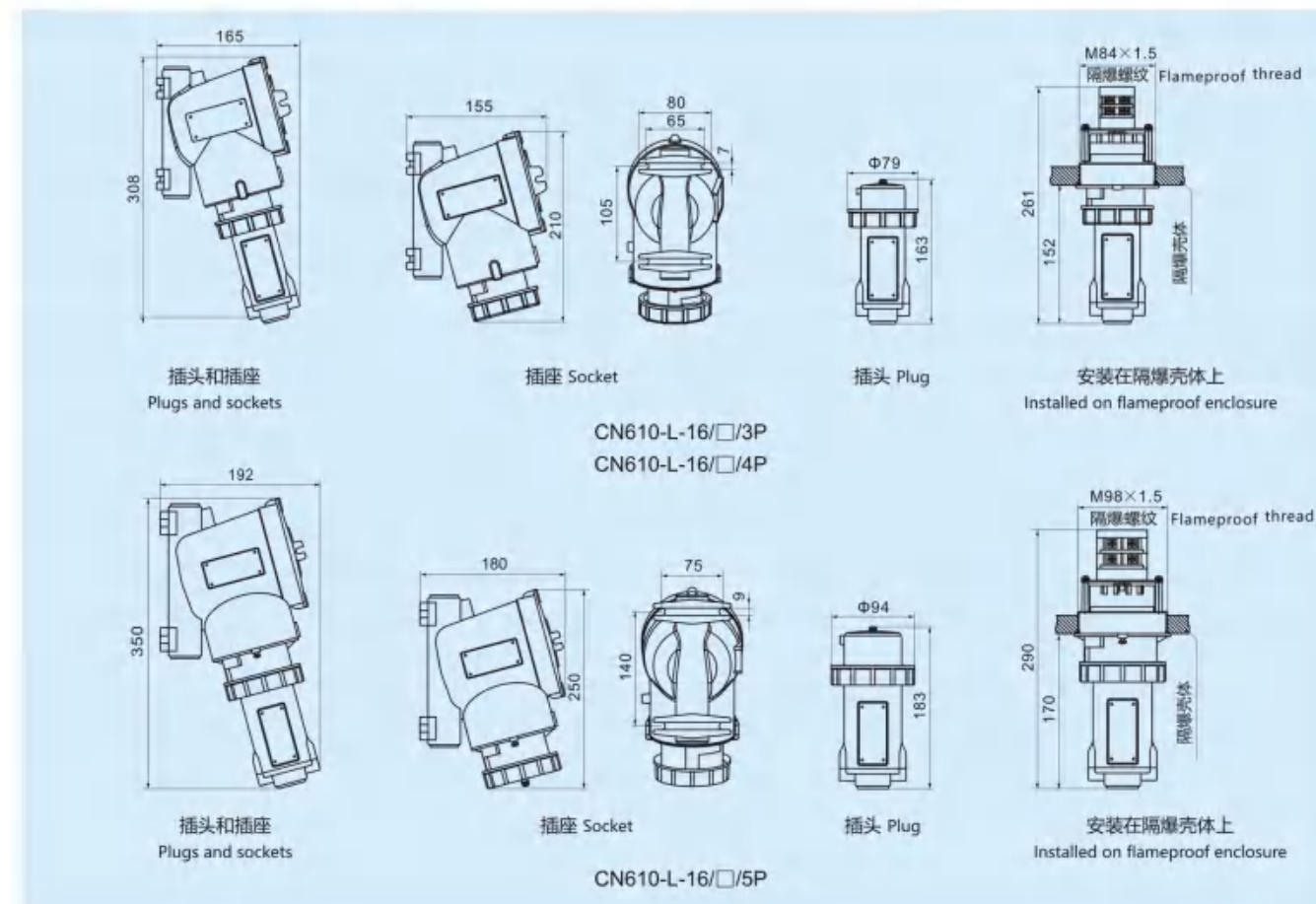
G 选配表 Selection table

型号 Model	电流(A) Current	电压(V) Voltage	极数 Number of poles	示意图 Schematic diagram	h	颜色 Colour
CN610-L-32/□/□ 	32	200~250	2P+PE		6	蓝色 Blue
		200~250	3P+PE		9	蓝色 Blue
		380~415			6	红色 Red
		480~500			7	黑色 Black
		600~690			5	黑色 Black
		120/208~144/250			9	蓝色 Blue
		200/346~240/415			6	红色 Red
		277/480~288/500			7	黑色 Black
		347/600~400/690			5	黑色 Black
CN610-L-63/□/□ 	63	200~250	3P+PE		9	蓝色 Blue
		380~415			6	红色 Red
		480~500			7	黑色 Black
		600~690	3P+N+PE		5	黑色 Black
		200/346~240/415			6	红色 Red
		277/480~288/500			7	黑色 Black
CN610-L-125/□/□ 	125	200~250	3P+PE		9	蓝色 Blue
		380~415			6	红色 Red
		480~500			7	黑色 Black
		600~690	3P+N+PE		5	黑色 Black
		200/346~240/415			6	红色 Red
		277/480~288/500			7	黑色 Black

G 技术参数 Technical parameter

防爆插接装置 Explosion-proof plug devices	CN610-L-16/□/□
防爆型式 Explosion proof type	Ex II2G Ex db eb IIC T6 Gb
气体防爆型式 Gas explosion proof type	Ex II2D Ex tb IIIC T80°C Db
粉尘防爆型式 Dust explosion proof type	
执行标准 Executive standard	GB/T 3836.1, GB/T 3836.2, GB/T 3836.3, GB/T 3836.31 EN 60079-0, EN 60079-1, EN 60079-31, IEC 60079-0, IEC 60079-1, IEC 60079-31
壳体材质 Shell material	无铜铝, 表面喷塑 Copper-free aluminum, plastic sprayed on the surface
壳体颜色 Shell color	窗灰色 Window gray
外露紧固件 Exposed fasteners	不锈钢 Stainless steel
额定电压 Rated voltage	Max. 690V AC
额定电流 Rated current	16A
极数 Number of poles	3P (2P+PE), 4P (3P+PE), 5P (3P+N+PE)
防护等级 Protection level	IP65、IP66
周围环境温度 Ambient temperature	-60°C~+55°C
内外接地 Grounding inside and outside	M5/M5
插座电缆引入口 Socket cable entry	2 x M25 x 1.5(3P/4P), 2 x M32 x 1.5(5P)
插头电缆引入口 Plug cable entry	1 x M25 x 1.5(3P/4P), 1 x M32 x 1.5(5P)
电缆引入装置(可选) Cable entry device(optional)	推荐使用 Recommend to use CN970-III(Ex db)或CN970-III(Ex db)
电缆截面积 Cable cross-sectional area	2.5~4mm ²

G 外形示意图 (所有尺寸单位为mm) - 可修改 Outline diagram (all dimensions in mm) - can be modified

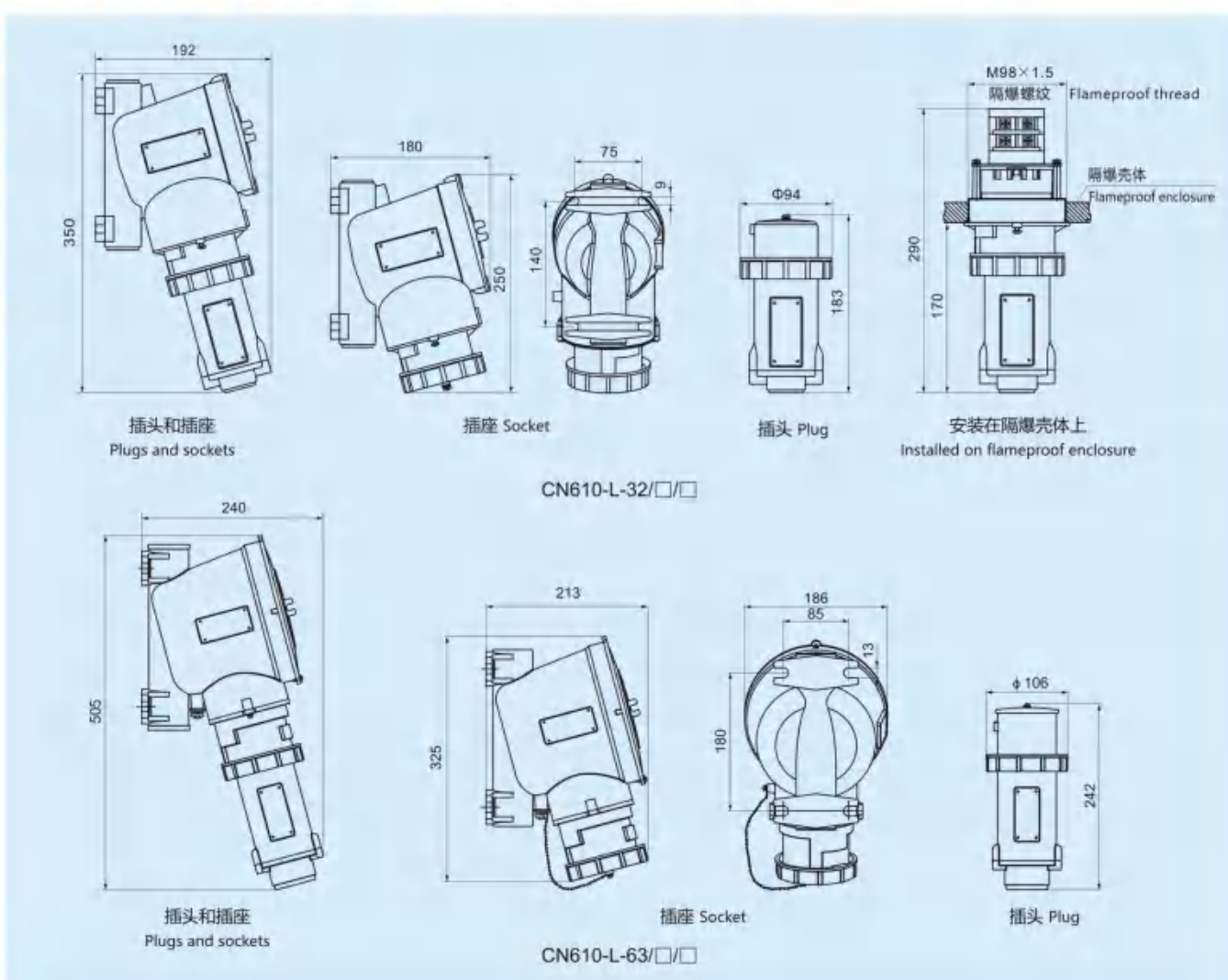




G 技术参数 Technical parameter

防爆插接装置 Explosion-proof plug devices	CN610-L-32/□/□
防爆型式 Explosion proof type	II2G Ex db eb IIC T6 Gb
气体防爆型式 Gas explosion proof type	II2D Ex tb IIIC T80°C Db
粉尘防爆型式 Dust explosion proof type	
执行标准 Executive standard	GB/T 3836.1, GB/T 3836.2, GB/T 3836.3, GB/T 3836.31 EN 60079-0, EN 60079-1, EN 60079-31, IEC 60079-0, IEC 60079-1, IEC 60079-31
壳体材质 Shell material	无铜铝, 表面喷塑 Copper-free aluminum, plastic sprayed on the surface
壳体颜色 Shell color	窗灰色 Window gray
外露紧固件 Exposed fasteners	不锈钢 Stainless steel
额定电压 Rated voltage	Max. 690V AC
额定电流 Rated current	32A
极数 Number of poles	3P (2P+PE), 4P (3P+PE), 5P (3P+N+PE)
防护等级 Protection level	IP65, IP66
内外接地 Grounding inside and outside	M5/M5
周围环境温度 Ambient temperature	-60°C~+55°C
插座电缆引入口 Socket cable entry	2 x M32 x 1.5
插头电缆引入口 Plug cable entry	1 x M32 x 1.5
电缆引入装置(可选) Cable entry device(optional)	推荐使用 Recommend to use CN970-II(Ex db)或CN970-III(Ex db)
电缆截面积 Cable cross-sectional area	4~6mm ²

G 外形示意图 (所有尺寸单位为mm) - 可修改 Outline diagram (all dimensions in mm) - can be modified

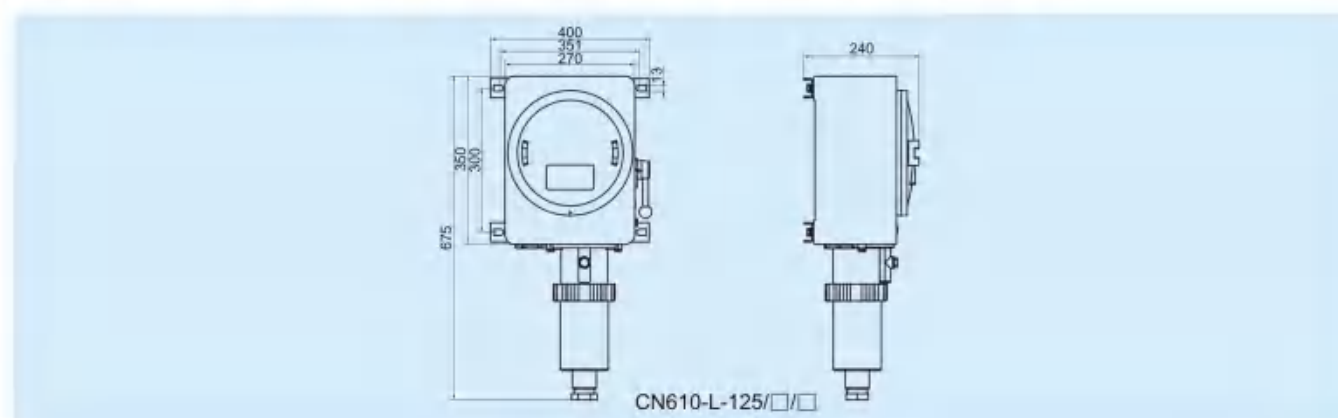


G 技术参数 Technical parameter

防爆插接装置 Explosion-proof plug devices	CN610-L-63/□/□
防爆型式 Explosion proof type	II2G Ex db eb IIC T6 Gb
气体防爆型式 Gas explosion proof type	II2D Ex tb IIIC T80°C Db
粉尘防爆型式 Dust explosion proof type	
执行标准 Executive standard	GB/T 3836.1, GB/T 3836.2, GB/T 3836.3, GB/T 3836.31 EN 60079-0, EN 60079-1, EN 60079-31, IEC 60079-0, IEC 60079-1, IEC 60079-31
壳体材质 Shell material	无铜铝, 表面喷塑 Copper-free aluminum, plastic sprayed on the surface
壳体颜色 Shell color	窗灰色 Window gray
外露紧固件 Exposed fasteners	不锈钢 Stainless steel
额定电压 Rated voltage	Max. 690V AC
额定电流 Rated current	63A
极数 Number of poles	4P (3P+PE), 5P (3P+N+PE)
防护等级 Protection level	IP65, IP66
内外接地 Grounding inside and outside	M6/M6
周围环境温度 Ambient temperature	-60°C~+55°C
插座电缆引入口 Socket cable entry	2 x M40 x 1.5
插头电缆引入口 Plug cable entry	1 x M50 x 1.5
电缆引入装置(可选) Cable entry device(optional)	推荐使用 Recommend to use CN970-II(Ex db)或CN970-III(Ex db)
电缆截面积 Cable cross-sectional area	10~16mm ²

防爆插接装置 Explosion-proof plug devices	CN610-L-125/□/□
防爆型式 Explosion proof type	II2G Ex db eb IIC T4 Gb
气体防爆型式 Gas explosion proof type	II2D Ex tb IIIC T130°C Db
粉尘防爆型式 Dust explosion proof type	
执行标准 Executive standard	GB/T 3836.1, GB/T 3836.2, GB/T 3836.3, GB/T 3836.31 EN 60079-0, EN 60079-1, EN 60079-31, IEC 60079-0, IEC 60079-1, IEC 60079-31
壳体材质 Shell material	无铜铝, 表面喷塑 Copper-free aluminum, plastic sprayed on the surface
壳体颜色 Shell color	窗灰色 Window gray
外露紧固件 Exposed fasteners	不锈钢 Stainless steel
额定电压 Rated voltage	Max. 690V AC
额定电流 Rated current	125A
极数 Number of poles	4P (3P+PE), 5P (3P+N+PE)
防护等级 Protection level	IP65, IP66
内外接地 Grounding inside and outside	M6/M6
周围环境温度 Ambient temperature	-60°C~+55°C
插座电缆引入口 Socket cable entry	1 x M63 x 1.5
插头电缆引入口 Plug cable entry	1 x M50 x 1.5
电缆引入装置(可选) Cable entry device(optional)	推荐使用 Recommend to use CN970-II(Ex db)或CN970-III(Ex db)
电缆截面积 Cable cross-sectional area	25~35mm ²

G 外形示意图 (所有尺寸单位为mm) - 可修改 Outline diagram (all dimensions in mm) - can be modified





CN610-S
系列防爆插接装置

CN610-S
Series Explosion-proof plug-in device

IIC/Ex tb



C 产品概述 Product overview

- ◆ 防爆性能符合
 - CENELEC标准
 - IEC标准
 - NEC标准
- ◆ 适用于
 - 1区和2区
 - 21区和22区
 - II类, 1区和2区
 - II类, 2区, 气体组别 A, B, C, D
- ◆ 本产品按极数分为2P、3P、4P、5P等型号。
- ◆ 只有插座内的开关分断后才能拔出插头, 插入插头后通电。
- ◆ 外壳材质为GRP(工程塑料)。
- ◆ Explosion-proof performance conforms to
 - CENELEC standard
 - IEC standard
 - NEC standard
- ◆ Suitable for
 - Zone 1 and Zone 2
 - Class II, Zone 1 and Zone 2
 - Class II, Zone 2, gas group A, B, C, D
- ◆ This product is divided into 2P, 3P, 4P, 5P and other models according to the number of poles.
- ◆ The plug can only be pulled out after the switch in the socket is disconnected, and the plug is plugged in and the power is turned on.
- ◆ Shell material is GRP(engineering plastic).

1区& 2区; 21区& 22区

zone1, zone2, zone21, zone22

CN610-S 系列防爆插接装置
CN610-S Series Explosion-proof plug-in device

G 型号含义 Model meaning

CN610-S - □/□/□/□
① ② ③ ④ ⑤

- ① 防爆插接装置 Explosion-proof plug-in device
- ② 额定电流 Rated current (A)
 - 690: 600~690
 - 500: 480~500
 - 415: 380~415
 - 250: 200~250
 - 130: 100~130
 - 36: 36
 - 24:24
- ③ 额定电压 Rated voltage (V)
 - 690: 600~690
 - 500: 480~500
 - 415: 380~415
 - 250: 200~250
 - 130: 100~130
 - 36: 36
 - 24:24
- ④ 极数 Number of poles
 - 2P
 - 3P (2P+PE或or1P+N+PE)
 - 4P (3P+PE)
 - 5P (3P+N+PE)
- ⑤ Z: 插座 Socket
T: 插头 Plug
L: 连接器 Connector

G 选配表 Selection table

型号 Model	电压(V) Voltage	电流(A) Current	极数 Number of poles	示意图 Schematic diagram	h
	480~500	16	3P+PE		7
			3P+N+PE		6
	380~415	16	3P+PE		6
			3P+N+PE		6
	200~250	16	3P+PE		9
			2P+PE		6
	100~130	16	1P+N+PE		4
			2P+PE		12
	36	16	2P		
			2P+PE		12
	24	16	2P		
			2P+PE		



G 选配表 Selection table

型号 Model	电压(V) Voltage	电流(A) Current	极数 Number of poles	示意图 Schematic diagram	h
 CN610-L-32/□/□	600~690	32	3P+PE		5
	480~500	32	3P+PE		7
	380~415	32	3P+N+PE		6
		32	3P+PE		6
	200~250	32	3P+N+PE		6
		32	3P+PE		9
 CN610-L-63/□/□	380~415	63	3P+N+PE	/	/
		63	3P+PE	/	/
	200~250	63	1P+N+PE	/	/
 CN610-L-125/□/□	600~690	125	3P+PE		5
	480~500	125	3P+PE		7
	380~415	125	3P+N+PE		6
		125	3P+PE		6
	200~250	125	3P+N+PE		6
		125	3P+PE		9

G 技术参数 Technical parameter

防爆插接装置 Explosion-proof plug devices	CN610-S-16/□/□
防爆型式 Explosion proof type	 II2G Ex db eb IIC T6 Gb
气体防爆型式 Gas explosion proof type	 II2D Ex tb IIIC T80°C Db
粉尘防爆型式 Dust explosion proof type	
执行标准 Executive standard	GB/T 3836.1, GB/T 3836.2, GB/T 3836.3, GB/T 3836.31; EN 60079-0, EN 60079-1, EN 60079-7, EN 60079-31, IEC 60079-0, IEC 60079-1, IEC 60079-7, IEC 60079-31
壳体材质 Shell material	GRP(工程塑料 Engineering plastic)
外露紧固件 Exposed fasteners	不锈钢 Stainless steel
额定电压 Rated voltage	AC 480V~500V, 380V~415V, 200V~250V, 100V~130V / DC 36V, 24V
额定电流 Rated current	16A
防护等级 Protection level	IP65、IP66
周围环境温度 Ambient temperature	-20°C~+55°C
电缆引入口 Cable entry	标准 Standard 1 x M25x1.5 电缆引入装置(塑料) Cable entry (plastic), 1 x M25x1.5 堵头(塑料) Plugging(plastic)
电缆引入装置(可选) Cable entry device(optional)	推荐使用 Recommend to use CN970-I (Ex eb)
电缆截面积 Cable cross-sectional area	2.5~4mm ²

G 附件和备件 Accessories and spare parts

型号 Model	电压(V) Voltage	电流(A) Current	极数 Number of poles	示意图 Schematic diagram	h	颜色 Colour
 16A 连接器 16A Connector	480 ~ 500	16	3P+PE		7	黑色 Black
			3P+N+PE		6	红色 Red
	380 ~ 415	16	3P+PE		6	红色 Red
			3P+N+PE		6	蓝色 Blue
	200 ~ 250	16	3P+PE		9	蓝色 Blue
			2P+PE		6	蓝色 Blue
	100 ~ 130	16	1P+N+PE		4	黄色 Yellow
			2P+PE		12	紫色 Purple
	36	16	2P			紫色 Purple
			2P+PE		12	紫色 Purple
	24	16	2P			紫色 Purple
			2P+PE		12	紫色 Purple
 16A 插座 16A Socket	480 ~ 500	16	3P+PE		7	黑色 Black
			3P+N+PE		6	红色 Red
	380 ~ 415	16	3P+PE		6	红色 Red
			3P+N+PE		6	蓝色 Blue
	200 ~ 250	16	3P+PE		9	蓝色 Blue
			2P+PE		6	蓝色 Blue
	100 ~ 130	16	1P+N+PE		4	黄色 Yellow
			2P+PE		12	紫色 Purple
	36	16	2P			紫色 Purple
			2P+PE		12	紫色 Purple
	24	16	2P			紫色 Purple
			2P+PE		12	紫色 Purple
 16A 插头 16A Plug	480 ~ 500	16	3P+PE		7	黑色 Black
			3P+N+PE		6	红色 Red
	380 ~ 415	16	3P+PE		6	红色 Red
			3P+N+PE		6	蓝色 Blue
	200 ~ 250	16	3P+PE		9	蓝色 Blue
			2P+PE		6	蓝色 Blue
	100 ~ 130	16	1P+N+PE		4	黄色 Yellow
			2P+PE		12	紫色 Purple
	36	16	2P			紫色 Purple
			2P+PE		12	紫色 Purple
	24	16	2P			紫色 Purple
			2P+PE		12	紫色 Purple



G 技术参数 Technical parameter

防爆插接装置 Explosion-proof plug devices	CN610-S-32/□/□
防爆型式 Explosion proof type	II2G Ex db eb IIC T6 Gb
气体防爆型式 Gas explosion proof type	II2D Ex tb IIIC T80°C Db
粉尘防爆型式 Dust explosion proof type	
执行标准 Executive standard	GB/T 3836.1, GB/T 3836.2, GB/T 3836.3, GB/T 3836.31; EN 60079-0, EN 60079-1, EN 60079-7, EN 60079-31, IEC 60079-0, IEC 60079-1, IEC 60079-7, IEC 60079-31
壳体材质 Shell material	GRP(工程塑料 Engineering plastic)
外露紧固件 Exposed fasteners	不锈钢 Stainless steel
额定电压 Rated voltage	AC 600V~690V, 480V~500V, 380V~415V, 200V~250V
额定电流 Rated current	32A
防护等级 Protection level	IP65、IP66
周围环境温度 Ambient temperature	T5 for Tamb: -20°C~+40°C, T4/T80°C for Tamb: -20°C~+55°C
电缆引入入口 Cable entry	标准 Standard 1 x M40 x 1.5 电缆引入装置(塑料) Cable entry(plastic), 1 x M40 x 1.5 堵头(塑料) Plugging(plastic)
电缆引入装置(可选) Cable entry device(optional)	推荐使用 Recommend to use CN970-I (Ex eb)
电缆截面积 Cable cross-sectional area	4~6mm ²

G 附件和备件 Accessories and spare parts



型号 Model	电压(V) Voltage	电流(A) Current	极数 Number of poles	示意图 Schematic diagram	h	颜色 Colour
32A 插座 32A Socket 	600 ~ 690	32	3P+PE		5	黑色 Black
	480 ~ 500	32	3P+PE		7	黑色 Black
	380 ~ 415	32	3P+N+PE		6	红色 Red
		32	3P+PE		6	红色 Red
		32	3P+N+PE		6	蓝色 Blue
		32	3P+PE		9	蓝色 Blue
32A 插头 32A Plug 	600 ~ 690	32	3P+PE		5	黑色 Black
	480 ~ 500	32	3P+PE		7	黑色 Black
	380 ~ 415	32	3P+N+PE		6	红色 Red
		32	3P+PE		6	红色 Red
		32	3P+N+PE		6	蓝色 Blue
		32	3P+PE		9	蓝色 Blue
32A 连接器 32A Connector 	600 ~ 690	32	3P+PE		5	黑色 Black
	480 ~ 500	32	3P+PE		7	黑色 Black
	380 ~ 415	32	3P+N+PE		6	红色 Red
		32	3P+PE		6	红色 Red
		32	3P+N+PE		6	蓝色 Blue
		32	3P+PE		9	蓝色 Blue



G 技术参数 Technical parameter

防爆插接装置 Explosion-proof plug devices	CN610-S-63/□/□
防爆型式 Explosion proof type	II2G Ex db eb IIC T6 Gb
气体防爆型式 Gas explosion proof type	II2D Ex tb IIIC T80°C Db
粉尘防爆型式 Dust explosion proof type	
执行标准 Executive standard	GB/T 3836.1, GB/T 3836.2, GB/T 3836.3, GB/T 3836.31; EN 60079-0, EN 60079-1, EN 60079-7, EN 60079-31, IEC 60079-0, IEC 60079-1, IEC 60079-7, IEC 60079-31
壳体材质 Shell material	GRP(工程塑料 Engineering plastic)
外露紧固件 Exposed fasteners	不锈钢 Stainless steel
额定电压 Rated voltage	AC 380V~415V, 200V~250V
额定电流 Rated current	63A
防护等级 Protection level	IP65、IP66
周围环境温度 Ambient temperature	T5 for Tamb: -20°C~+40°C, T4/T95°C for Tamb: -20°C~+55°C
电缆引入入口 Cable entry	标准 Standard 1 x M50x1.5 电缆引入装置(塑料) Cable entry device (plastic)
电缆引入装置(可选) Cable entry device(optional)	推荐使用 Recommend to use CN970-I (Ex eb)
电缆截面积 Cable cross-sectional area	10~16mm ²

G 附件和备件 Accessories and spare parts

型号 Model	电压(V) Voltage	电流(A) Current	极数 Number of poles	示意图 Schematic diagram	颜色 Colour
63A 插座 63A Socket 	380 ~ 415	63	3P+N+PE	/	红色 Red
			3P+PE		红色 Red
	200 ~ 250	63	1P+N+PE	/	蓝色 Blue
63A 插头 63A Plug 	380 ~ 415	63	3P+N+PE	/	红色 Red
			3P+PE	/	红色 Red
	200 ~ 250	63	1P+N+PE	/	蓝色 Blue

G 技术参数 Technical parameter

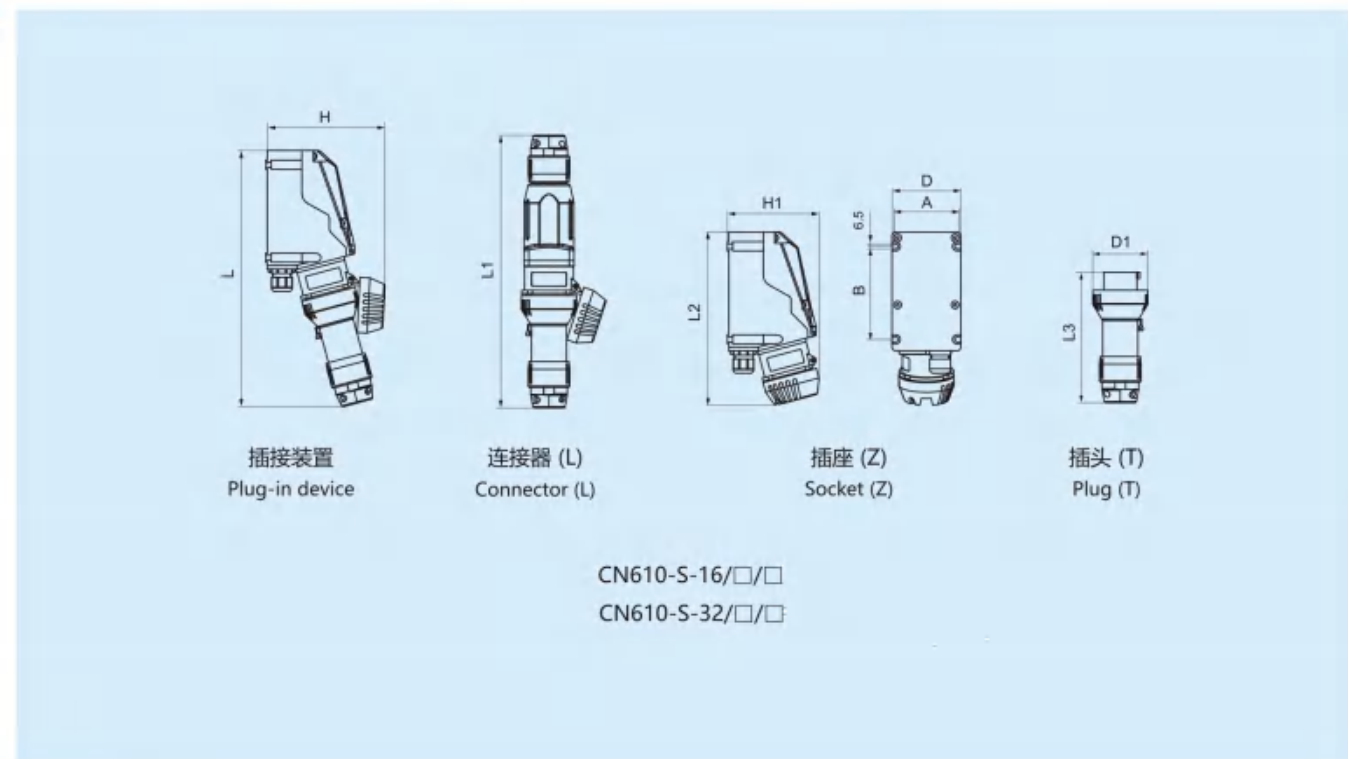
防爆插接装置 Explosion-proof plug devices	CN610-S-125/□/□
防爆型式 Explosion proof type	II2G Ex db eb IIC T4 Gb
气体防爆型式 Gas explosion proof type	II2D Ex tb IIIC T130°C Db
粉尘防爆型式 Dust explosion proof type	
执行标准 Executive standard	GB/T 3836.1, GB/T 3836.2, GB/T 3836.3, GB/T 3836.31; EN 60079-0, EN 60079-1, EN 60079-7, EN 60079-31, IEC 60079-0, IEC 60079-1, IEC 60079-7, IEC 60079-31
壳体材质 Shell material	GRP(工程塑料 Engineering plastic)
外露紧固件 Exposed fasteners	不锈钢 Stainless steel
额定电压 Rated voltage	AC 600V~690V, 480V~500V, 380V~415V, 200V~250V
额定电流 Rated current	125A
防护等级 Protection level	IP65、IP66
周围环境温度 Ambient temperature	-20°C~+55°C
电缆引入入口 Cable entry	标准 Standard 1 x M63x1.5 电缆引入装置(塑料) Cable entry(plastic), 1 x M63x1.5 堵头(塑料) Plugging(plastic)
电缆引入装置(可选) Cable entry device(optional)	推荐使用 Recommend to use CN970-I (Ex eb)
电缆截面积 Cable cross-sectional area	25~35mm ²



G 附件和备件 Accessories and spare parts

型号 Model	电压(V) Voltage	电流(A) Current	极数 Number of poles	示意图 Schematic diagram	h	颜色 Colour
125A 插座 125A Socket	600 ~ 690	125	3P+PE		5	黑色 Black
	480 ~ 500	125	3P+PE		7	黑色 Black
	380 ~ 415	125	3P+N+PE		6	红色 Red
		125	3P+PE		6	红色 Red
	200 ~ 250	125	3P+N+PE		6	蓝色 Blue
		125	3P+PE		9	蓝色 Blue
125A 插头 125A Plug	600 ~ 690	125	3P+PE		5	黑色 Black
	480 ~ 500	125	3P+PE		7	黑色 Black
	380 ~ 415	125	3P+N+PE		6	红色 Red
		125	3P+PE		6	红色 Red
	200 ~ 250	125	3P+N+PE		6	蓝色 Blue
		125	3P+PE		9	蓝色 Blue

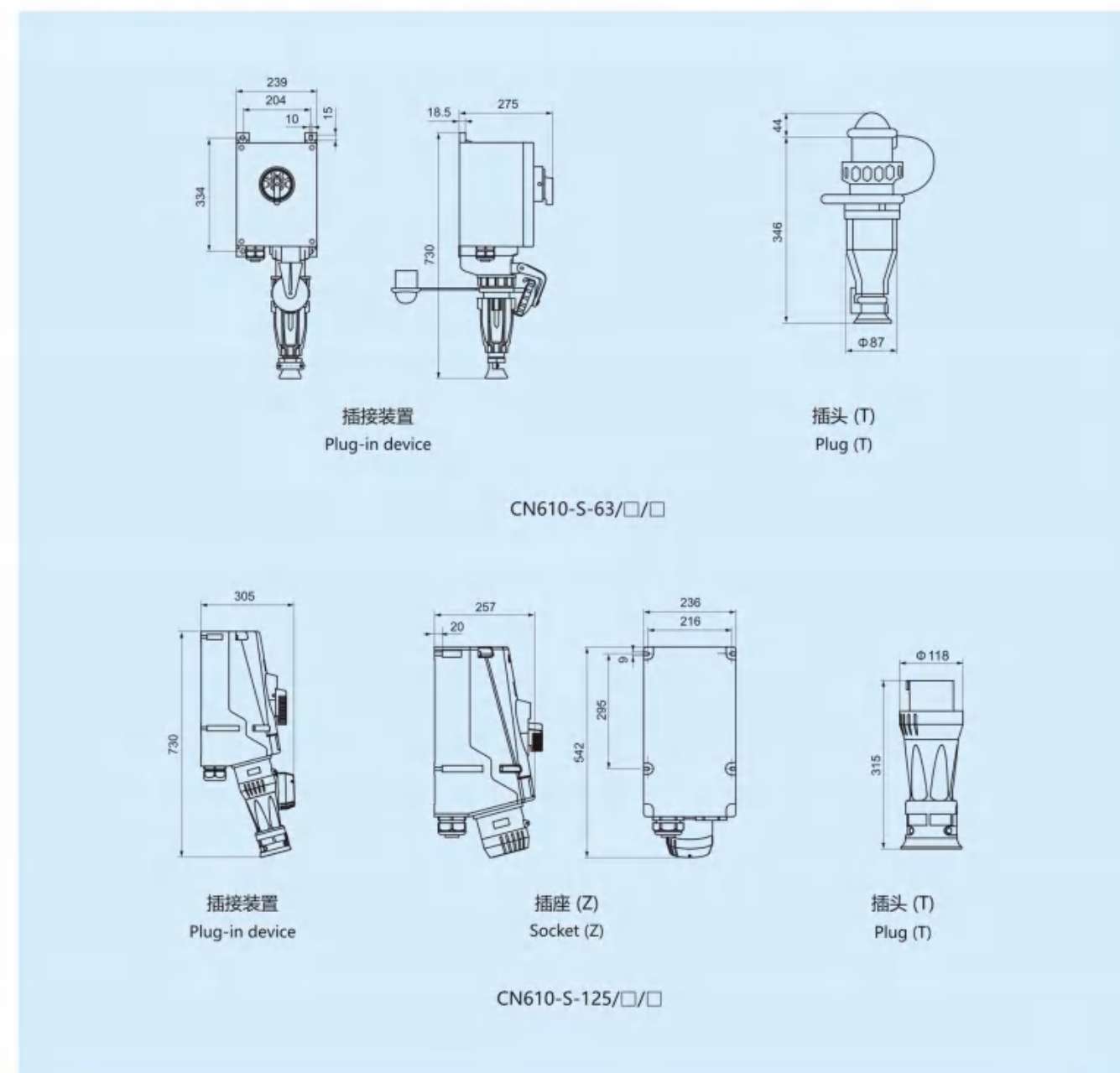
G 外形示意图 (所有尺寸单位为mm) - 可修改 Outline diagram (all dimensions in mm)-can be modified



CN610-S 系列防爆插接装置
CN610-S Series Explosion-proof plug-in device

型号 Model	L	H	L1	L2	H1	D	A	B	L3	D1
CN610-S-16/□/(2P/3P)	336	154	356	227	120	90	80	122	171	72
CN610-S-16/□/(4P/5P)	408	175	460	252	151	110	102	150	217	76.5
CN610-S-32/□/□	460	209	514	283	171	120	113	169	253	95

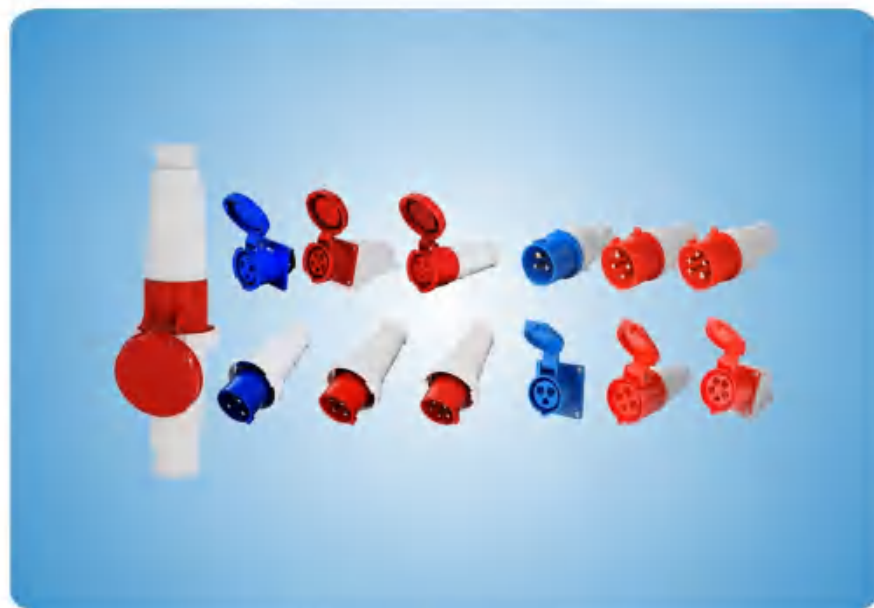
G 外形示意图 (所有尺寸单位为mm) - 可修改 Outline diagram (all dimensions in mm)-can be modified





CN610-F
系列防水防尘防腐
插接装置

CN610-F
Series waterproof, dustproof
and anti-corrosion plug
device



G 适用范围 Scope of application

- 适用于石油、化工、码头、食品、制药、军工等工厂企业；
- 适用于强酸、强碱、盐、氨腐蚀、多尘、多水、潮湿等环境。
- Applicable to petroleum, chemical, port, food, pharmaceutical, military and other factories and enterprises;
- Suitable for strong acid, alkali, salt, ammonia corrosion, dust, water, wet and other environment.

G 订货须知 Order instructions

- 本产品可带连锁开关，即只有插座内的开关分断后方能拔出插头，也只有插入插头后方能合上开关；
- 请按型号规格含义填写完整的产品型号；
- 请注明产品额定电压规格、防护等级；
- 如有特殊要求，请注明。
- This product can be equipped with interlock switch, that is, only after the switch in the socket is broken, the plug can be pulled out, and only after inserting the plug can the switch be closed;
- Please fill in the complete product model according to the model specification meaning;
- Please indicate the product rated voltage specifications, protection grade;
- If there are any special requirements, please specify.

防腐等级 Anticorrosion grade	工业用插头 Industrial plug	工业用插座(明装) Industrial receptacle (surface mounted)	工业用插座 (机械连锁) Industrial socket (mechanical interlock)	工业用连接器 Industrial connector
IP67				
IP44			—	

1区& 2区; 21区& 22区

zone1, zone2, zone21, zone22

CN610-F 系列防水防尘防腐插接装置
CN610-F Series waterproof, dustproof and anti-corrosion plug device

G 型号含义 Model meaning

CN 610-F - □ / □ / □ / □ / □
① ② ③ ④ ⑤ ⑥ ⑦

- ① 防水防尘防腐插接装置 Waterproof, dustproof and anticorrosive connector
- ② 设计序号 Design sequence number
- ③ 额定电流 Rated current
- ④ 额定电压(V) 415:380~415、250:200~250、130:100~130
- ⑤ 极数 Number of poles
- ⑥ T:机械连锁 Z:工业用插座 L:工业用连接器(插接装置则不注) T: Mechanical interlock Z: industrial socket L: industrial connector (do not note the plug device)
- ⑦ S:机械连锁 S: Mechanical interlocking

G 技术参数 Technical parameter

型号规格 Type specification	防护等级 Class of protection	额定电压(V) Rated voltage(V)	指示颜色 Indicator color	极数 Number of poles	时序示意图 Sequence diagram	环境温度 Ambient temperature
CN610-F-16/□/□□	IP67 IP44	110V	黄色 Yellow	2P+E		-40°C~+45°C
		250V	蓝色 Blue	2P+E		
		250V	蓝色 Blue	3P+E		
		250V	蓝色 Blue	3P+N+E		
		415V	红色 Red	2P+E		
		415V	红色 Red	3P+E		
		415V	红色 Red	3P+N+E		
		500V	黑色 Black	3P+E		
CN610-F-32/□/□□	IP67 IP44	110V	黄色 Yellow	2P+E		
		250V	蓝色 Blue	2P+E		
		250V	蓝色 Blue	3P+E		
		250V	蓝色 Blue	3P+N+E		
		415V	红色 Red	2P+E		
		415V	红色 Red	3P+E		
		415V	红色 Red	3P+N+E		
		500V	黑色 Black	3P+E		
CN610-F-63/□/□□	IP67 IP44	110V	黄色 Yellow	2P+E		
		250V	蓝色 Blue	2P+E		
		250V	蓝色 Blue	3P+E		
		250V	蓝色 Blue	3P+N+E		
		415V	红色 Red	2P+E		
		415V	红色 Red	3P+E		
		415V	红色 Red	3P+N+E		
		500V	黑色 Black	3P+E		
CN610-F-125/□/□□	IP67	110V	黄色 Yellow	2P+E		
		250V	蓝色 Blue	2P+E		
		250V	蓝色 Blue	3P+E		
		250V	蓝色 Blue	3P+N+E		
		415V	红色 Red	2P+E		
		415V	红色 Red	3P+E		
		415V	红色 Red	3P+N+E		
		500V	黑色 Black	3P+E		
500V	黑色 Black	3P+N+E				

注：特殊电压/颜色可以按照客户要求定制。 Note: Special voltage/color can be customized according to customer requirements.



G 外形及安装尺寸举例 Examples of outline and mounting dimensions

产品外观 Product appearance	外形尺寸 Overall dimension	额定电流(A) Rated current(A)	参数 Parameter				极数 Number of poles
			a	b	c	d	
		16	142	105.2	59	53	3
			144	110.5	69.4	59	4
			147	110.5	76	67	5
			186	141	81	70	3
			185	141	81	70	4
		32	180	137	89.5	77	5
			238.3	172.3	100.7	102.5	3
			238.3	172.3	100.7	102.5	4
			238.3	172.3	100.7	102.5	5
			238.3	172.3	100.7	102.5	3
		63	238.3	172.3	100.7	102.5	4
			238.3	172.3	100.7	102.5	5
			142	97.2	-	70	3
			144	102.5	-	78	4
			147	102.5	-	87	5
		16	186	133	-	94	3
			185	133	-	94	4
			180	129	-	101	5
			238.3	155.3	-	112.2	3
			238.3	155.3	-	112.2	4
		32	238.3	155.3	-	112.2	5
			238.3	155.3	-	112.2	4
			238.3	155.3	-	112.2	5
			291.1	210	-	131	3
			291.1	210	-	131	4
		63	291.1	210	-	131	5
			162	60	83	-	3
			165	68	92	-	4
			167	76	98	-	5
			209	82	100	-	3
		16	209	82	100	-	4
			209	82	108	-	5
			209	82	100	-	4
			209	82	100	-	4
			209	82	108	-	5
		32	268	95	109	-	3
			268	95	109	-	4
			268	95	109	-	5
			268	95	109	-	3
			268	95	109	-	4
		63	146	72	80	-	3
			166	79	88	-	4
			172	89	95	-	5
			212	96	98	-	3
			212	96	98	-	4
		32	213	102	105	-	5
			213	102	105	-	5
			213	102	105	-	5
			270	113	123	-	3
			270	113	123	-	4
		63	270	113	123	-	5
			270	113	123	-	5
			270	113	123	-	5
			310	125	135	-	3
			310	125	135	-	4
		125	310	125	135	-	4
			310	125	135	-	5
			310	125	135	-	5
			310	125	135	-	3
			310	125	135	-	4



G 外形及安装尺寸举例 Examples of outline and mounting dimensions

产品外观 Product appearance	外形尺寸 Overall dimension	额定电流(A) Rated current(A)	进出线口螺纹 Inlet and outlet thread	参数 Parameter								极数 Number of poles
				a	b	c	d	e	e1	f	h	
		16	1×M25+ 1×M25 敲落孔 Knocking-off hole	95	102	115	64.2	77.5	88	5.5	128	3
				95	102	124	64.2	77.5	88	5.5	128	4
				95	102	129	64.2	77.5	88	5.5	132	5
				120	112	143	90.2	79	98.5	5.5	160	3
				120	112	143	90.2	79	98.5	5.5	160	4
		32	1×M25+ 1×M32 敲落孔 Knocking-off hole	120	112	150	90.2	79	98.5	5.5	160	5
				120	112	150	90.2	79	98.5	5.5	160	5
				170	118	171	134.5	103	-	6.1	216	3
				170	118	171	134.5	103	-	6.1	216	4
				170	118	171	134.5	103	-	6.1	216	5
		63	1×M40+ 2×M40 敲落孔 Knocking-off hole	170	118	171	134.5	103	-	6.1	216	3
				170	118	171	134.5	103	-	6.1	216	4
				170	118	171	134.5	103	-	6.1	216	5
				170	118	171	134.5	103	-	6.1	216	3
				170	118	171	134.5	103	-	6.1	216	4
		16	1×M25+ 1×M25 敲落孔 Knocking-off hole	95	102	115	64.2	77.5	88	5.5	128	3
				95	102	124	64.2	77.5	88	5.5	128	4
				95	102	129	64.2	77.5	88	5.5	132	5
				120	112	143	90.2	79	98.5	5.5	160	3
				120	112	143	90.2	79	98.5	5.5	160	4
		32	1×M32+ 1×M32 敲落孔 Knocking-off hole	120	112	150	90.2	79	98.5	5.5	160	5
				120	112	150	90.2	79	98.5	5.5	160	5
				170	118	171	134.5	103	-	6.1	216	3
				170	118	171	134.5	103	-	6.1	216	4
				170	118	171	134.5	103	-	6.1	216	5
		63	1×M40+ 2×M40 敲落孔 Knocking-off hole	170	118	171	134.5	103	-	6.1	216	3
				170	118	171	134.5	103	-	6.1	216	4
				170	118	171	134.5	103	-	6.1	216	5
				170	118	171	134.5	103	-	6.1	216	3
				170	118	171	134.5	103	-	6.1	216	4
		125	2×M50	264	163	203	240	140	-	8.1	313	3
				264	163	203	240	140	-	8.1	313	4
				264	163	203	240	140	-	8.1	313	5
				264	163	203	240	140	-	8.1	313	3
				264	163	203	240	140	-	8.1	313	4
		16	1×M32+ 3×M25	225	118	144	208	101	-	6.3	252	3
				225	118	146	208	101	-	6.3	255	4
				225	118	147	208	101	-	6.3	259	5
				225	118	152	208	101	-	6.3	268	3
				225	118	152	208	101	-	6.3	268	4
		32	1×M32+ 3×M25	225	118	153	208	101	-	6.3	274	5
				264	163	196	240	140	-	8.1	300	3
				264	163	196	240	140	-	8.1	300	4
				264	163	196	240	140	-	8.1	300	5
				264	163	196	240	140	-	8.1	300	3



CN611-S
系列防爆连接装置
(IIC、IIIC)

CN611-S
Series Explosion-proof connection
device
(IIC、IIIC)



C 适用范围 Scope of application

- 适用于爆炸性环境1区、2区场所;
- 适用于IIA、IIB、IIC类爆炸性气体环境;
- 适用于可燃性粉尘环境21区、22区场所;
- 适用于T1~T6(T4)组温度组别;
- 广泛用于石油开采、炼油、化工、海洋石油平台、油轮等易燃易爆气体环境,也用于军工、金属加工等可燃性粉尘场所。
- Applicable to explosive environment zone 1, Zone 2 places;
- Suitable for IIA, IIB, IIC explosive gas environment;
- Suitable for combustible dust environment 21, 22 zone places;
- Applicable to T1~T6(T4) group temperature groups;
- It is widely used in flammable and explosive gas environments such as oil mining, refining, chemical industry, offshore oil platforms, oil tankers, and military industry, metal processing and other combustible dust places.

C 产品特点 Product features

- 连接后采用螺纹锁紧方式,具有防震、防松脱功能,并有效防止误插拔;
- 高导电性接触件,插接后接触可靠;
- 插芯材料为热塑性工程塑料绝缘,V0级阻燃;
- 壳体表面阳极氧化处理,耐腐蚀;外观造型优美;
- 形式有插头、插座、连接器、板前式插座多样;
- 连接器可与危险区域的电气设备方便快速的连接,安全、可靠,容易分断。
- After the connection, the screw thread locking method is adopted, which has the function of shock-proof and anti-loosening, and effectively prevents misinsertion and removal;
- High conductivity contact parts, reliable contact after plugging;
- The core material is thermoplastic engineering plastic insulation, V0 flame retardant;
- Shell surface anodized treatment, corrosion resistance;
- Beautiful appearance; Forms of plug, socket, connector, plate front socket variety;
- Connectors can be easily and quickly connected with electrical equipment in dangerous areas, safe, reliable and easy to break.

1区&2区; 21区&22区

zone1, zone2, zone21, zone22

CN611-S 系列防爆连接装置(IIC、IIIC)
CN611-S Series Explosion-proof connection device(IIC、IIIC)

C 型号含义 Model meaning

CN 611 - □ / □ / □ / □ / □
① ② ③ ④ ⑤ ⑥ ⑦

- ① 防爆连接装置 Explosion-proof connection
- ② 设计序号 Design sequence number
- ③ 额定电流 Rated current
- ④ 额定电压 Rated voltage
- ⑤ 极数 Number of poles
- ⑥ L: 连接器 T: 插头 Z: 板前式插座 L: Connector T: plug Z: board front socket
- ⑦ 户外防强腐 Strong outdoor rot protection

C 技术参数 Technical parameter

防爆连接装置 Explosion-proof connection	CN611 - □ / □ / □ / □ / □
防爆标志 Explosion-proof mark	Ex ec IIC T6 Gc; Ex tb IIIC T80°C Dc
执行标准 Executive standard	GB/T 3836.1, GB/T 3836.2, GB/T 3836.31; IEC 60079-0, IEC 60079-1, IEC 60079-7, IEC 60079-31, EN 60079-0, EN 60079-1, EN 60079-7, EN 60079-31
额定电压 Rated voltage	AC110~130V, AC200~250V, AC380~400V, AC/DC12~24V, AC/DC36~50V
额定电流 Rated current	10A, 16A
防护等级 Class of protection	IP66
防腐等级 Anticorrosion grade	WF2
极数 Pole number	1P+N+PE, 2P, 2P+PE, 3P+PE, 3P+N+PE
引入装置 Lead-in device	适合Φ8~Φ14mm电缆
接线规格 Wiring specification	≤2.5mm ² 导线可靠连接
接线方式 Connection mode	螺钉固定, 安装方便

C 选型表 Selection list

额定电流(A) Rated current(A)	额定电压(V) Rated voltage(V)	极数 Number of poles	芯数(个) Number of cores(PCS)	图例 legend	指示颜色 Indicator color
10/16	AC200~250	1P+N+PE	3		蓝色 Blue
	AC110~130				黄色 Yellow
10/16	AC200~250	3P+PE	4		蓝色 Blue
		3P+PE	4		红色 Red
10/16	AC380~400	3P+N+PE	5		红色 Red
		2P	2		白色 White
10/16	AC36~50/DC36~50	2P+PE	3		白色 White
		2P	2		紫色 Purple
10/16	AC12~24/DC12~24	2P+PE	3		紫色 Purple

C 安装方式 Installation mode





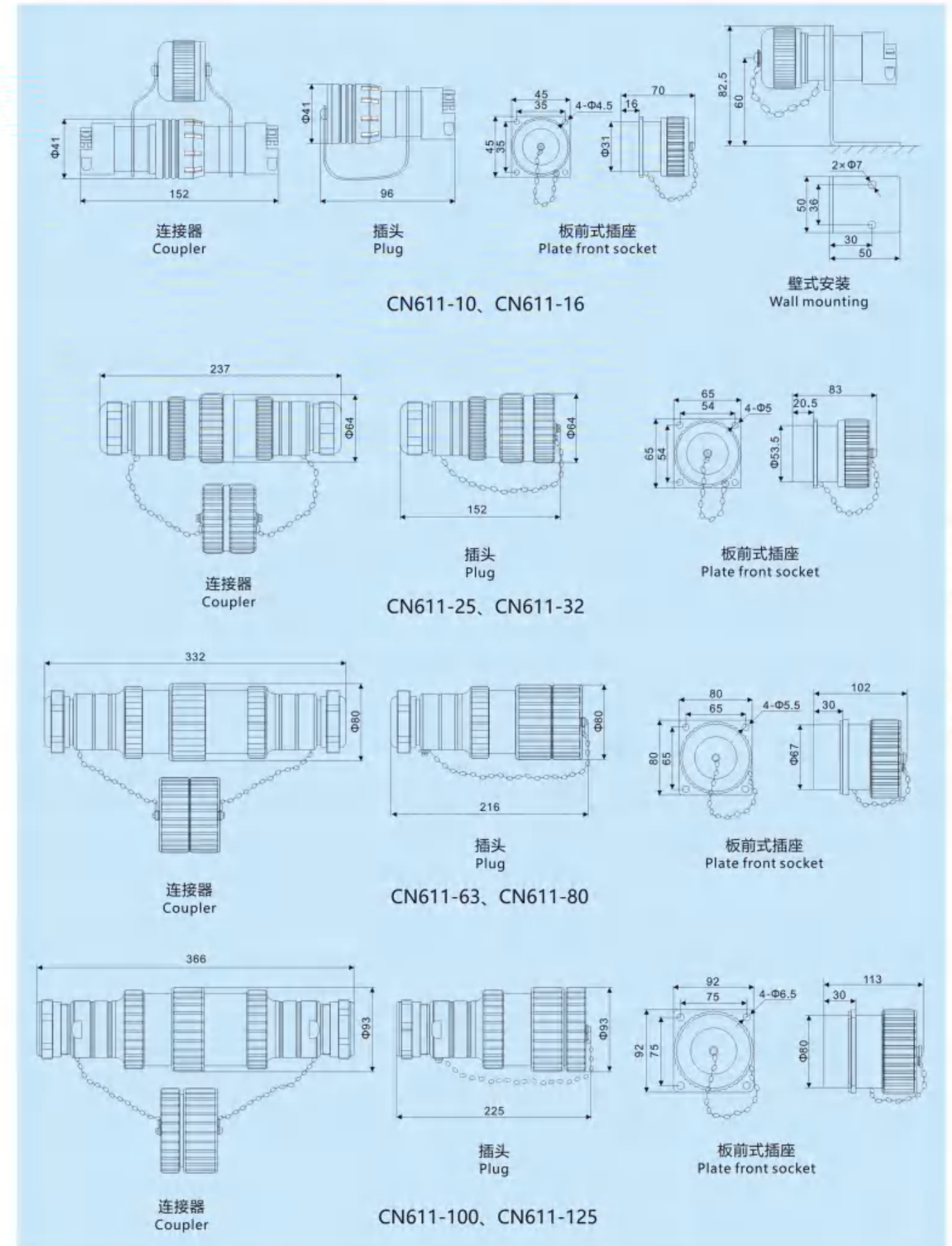
G 技术参数 Technical parameter

防爆标志 Explosion-proof mark	Ex ec IIC T4 Gc; Ex tb IIIC T130°C Dc		
执行标准 Executive standard	GB/T 3836.1, GB/T 3836.2, GB/T 3836.31; IEC 60079-0, IEC 60079-1, IEC 60079-7, IEC 60079-31, EN 60079-0, EN 60079-1, EN 60079-7, EN 60079-31		
额定电压 Rated voltage	AC200~250V, AC380~415V, AC480~500V, AC600~690V		
额定电流 Rated current	25A/32A, 63A/80A, 100A/125A,		
防护等级 Class of protection	IP66		
防腐等级 Anticorrosion grade	WF2		
极数 Pole number	3P+PE, 3P+N+PE		
电缆外径 Lead-in device	25A/32A	63A/80A	100A/125A
	Φ17~Φ24	Φ22~Φ32	Φ28~Φ41
接线方式 Connection mode	压接式		

G 选型表 Selection list

额定电流(A) Rated current(A)	额定电压(V) Rated voltage(V)	极数 Number of poles	芯数(个) Number of cores(PCS)	图例 legend	指示颜色 Indicator color
25/32	AC200~250	3P+PE	4		蓝色 Blue
25/32	AC200~250	3P+N+PE	5		蓝色 Blue
25/32	AC380~415	2P+PE	4		红色 Red
25/32	AC380~415	3P+N+PE	5		红色 Red
25/32	AC480~500	3P+PE	4		黑色 Black
25/32	AC600~690	3P+PE	4		黑色 Black
63/80	AC200~250	3P+PE	4		蓝色 Blue
63/80	AC200~250	3P+N+PE	5		蓝色 Blue
63/80	AC380~415	3P+PE	4		红色 Red
63/80	AC380~415	3P+N+PE	5		红色 Red
63/80	AC480~500	3P+PE	4		黑色 Black
63/80	AC600~690	3P+PE	4		黑色 Black
100/125	AC200~250	3P+PE	4		蓝色 Blue
100/125	AC200~250	3P+N+PE	5		蓝色 Blue
100/125	AC380~415	3P+PE	4		红色 Red
100/125	AC380~415	3P+N+PE	5		红色 Red
100/125	AC480~500	3P+PE	4		黑色 Black
100/125	AC600~690	3P+PE	4		黑色 Black

G 外形及安装尺寸举例 Examples of outline and mounting dimensions





CN611-L
系列防爆连接装置
(IIC、IIIC)

CN611-L
Series Explosion-proof connection
device
(IIC、IIIC)



G 适用范围 Scope of application

- 适用于爆炸性环境1区、2区场所;
- 适用于IIA、IIB、IIC类爆炸性气体环境;
- 适用于可燃性粉尘环境21区、22区场所;
- 适用于T1~T6(T4)组温度组别;
- 广泛用于石油开采、炼油、化工、海洋石油平台、油轮等易燃易爆气体环境，也用于军工、金属加工等可燃性粉尘场所。
- Applicable to explosive environment zone 1, Zone 2 places;
- Suitable for IIA, IIB, IIC explosive gas environment;
- Suitable for combustible dust environment 21, 22 zone places;
- Applicable to T1~T6(T4) group temperature groups;
- It is widely used in flammable and explosive gas environments such as oil mining, refining, chemical industry, offshore oil platforms, oil tankers, and military industry, metal processing and other combustible dust places.

G 产品特点 Product features

- 连接后采用螺纹锁紧方式，具有防震、防松脱功能，并有效防止误插拔;
- 高导电性接触件，插接后接触可靠;
- 插芯材料为热塑性工程塑料绝缘，V0级阻燃;
- 壳体表面阳极氧化处理，耐腐蚀；外观造型优美;
- 形式有插头、插座、连接器、板前式插座多样;
- 连接器可与危险区域的电气设备方便快速的连接，安全、可靠，容易分断。
- After the connection, the screw thread locking method is adopted, which has the function of shock-proof and anti-loosening, and effectively prevents misinsertion and removal;
- High conductivity contact parts, reliable contact after plugging;
- The core material is thermoplastic engineering plastic insulation, V0 flame retardant;
- Shell surface anodized treatment, corrosion resistance;
- Beautiful appearance; Forms of plug, socket, connector, plate front socket variety;
- Connectors can be easily and quickly connected with electrical equipment in dangerous areas, safe, reliable and easy to break.

1区& 2区; 21区& 22区

zone1, zone2, zone21, zone22

CN611-L 系列防爆连接装置(IIC、IIIC)
CN611-L Series Explosion-proof connection device(IIC、IIIC)

G 型号含义 Model meaning

CN 611 - □ / □ / □ / □
① ② ③ ④ ⑤ ⑥

- ① 防爆连接器 Explosion-proof connection
- ② 设计序号 Design sequence number
- ③ 额定电流 Rated current
- ④ YT移动式插座 GZ固定式插座 YZ移动式插座 YT Mobile socket GZ Fixed socket YZ Mobile socket
- ⑤ 芯数 Core number
- ⑥ 插针 K插孔 J-Pin K-Jack

G 技术参数 Technical parameter

防爆连接装置 Explosion-proof connection	CN611 - □ / □ / □ / □
防爆标志 Explosion-proof mark	Ex ec IIC T6 Gc; Ex tb IIIC T80°C Dc
执行标准 Executive standard	GB/T 3836.1, GB/T 3836.2, GB/T 3836.31; IEC 60079-0, IEC 60079-1, IEC 60079-7, IEC 60079-31, EN 60079-0, EN 60079-1, EN 60079-7, EN 60079-31
额定电压 Rated voltage	AC110~130V, AC200~250V, AC380~400V, AC/DC12~24V, AC/DC36~50V
额定电流 Rated current	16A
防护等级 Class of protection	IP66
防腐等级 Anticorrosion grade	WF2
极数 Pole number	1P+N+PE, 2P, 2P+PE, 3P+PE, 3P+N+PE
引入装置 Lead-in device	适合Φ8~Φ14mm电缆
接线规格 Wiring specification	≤2.5mm ² 导线可靠连接
接线方式 Connection mode	螺钉固定，安装方便

G 选型表 Selection list

额定电流(A) Rated current(A)	额定电压(V) Rated voltage(V)	极数 Number of poles	芯数(个) Number of cores(PCS)	图例 legend	指示颜色 Indicator color
16	AC200~250	1P+N+PE	3		蓝色 Blue
	AC110~130				黄色 Yellow
16	AC200~250	3P+PE	4		蓝色 Blue
16	AC380~400	3P+PE	4		红色 Red
16	AC380~400	3P+N+PE	5		红色 Red
16	AC36~50/DC36~50	2P	2		白色 White
16	AC36~50/DC36~50	2P+PE	3		白色 White
16	AC12~24/DC12~24	2P	2		紫色 Purple
16	AC12~24/DC12~24	2P+PE	3		紫色 Purple



G 技术参数 Technical parameter

防爆标志 Explosion-proof mark	Ex ec IIC T6 Gc; Ex tb IIIC T80°C Dc	
执行标准 Executive standard	GB/T 3836.1-2021, GB/T 3836.2-2021, GB/T 3836.31-2021; IEC 60079-0, IEC 60079-1, IEC 60079-7, IEC 60079-31, EN 60079-0, EN 60079-1, EN 60079-7, EN 60079-31	
额定电压 Rated voltage	AC200~250V、AC380~415V、AC480~500V、AC600~690V	
额定电流 Rated current	25A、32A、60A	
防护等级 Class of protection	IP66	
防腐等级 Anticorrosion grade	WF2	
极数 Pole number	3P+PE、3P+N+PE	
电缆外径 Lead-in device	25A/32A	60A
	Φ17~Φ24	Φ22~Φ32
接线方式 Connection mode	压接式	

G 选型表 Selection list

额定电流(A) Rated current(A)	额定电压(V) Rated voltage(V)	极数 Number of poles	芯数(个) Number of cores(PCS)	图例 legend	指示颜色 Indicator color
25/32	AC200~250	3P+PE	4		蓝色 Blue
25/32	AC200~250	3P+N+PE	5		蓝色 Blue
25/32	AC380~415	2P+PE	4		红色 Red
25/32	AC380~415	3P+N+PE	5		红色 Red
25/32	AC480~500	3P+PE	4		黑色 Black
25/32	AC600~690	3P+PE	4		黑色 Black
60	AC200~250	3P+PE	4		蓝色 Blue
60	AC200~250	3P+N+PE	5		蓝色 Blue
60	AC380~415	3P+PE	4		红色 Red
60	AC380~415	3P+N+PE	5		红色 Red
60	AC480~500	3P+PE	4		黑色 Black
60	AC600~690	3P+PE	4		黑色 Black

G 外形及安装尺寸举例 Examples of outline and mounting dimensions

移动式插头(YT) Mobile plug (YT)

固定式插座(GZ) Fixed socket (GZ)

移动式插座(YZ) Mobile socket (YZ)

规格 Specification	尺寸 Size	L1	L2	L3	L4	D1	D2	D3	Φd±0.07	Φd1	Φd2	P	Q±0.2
16A、25A、32A		130	55	132	8	Φ49	Φ33	Φ35	13	3	4.5	42.5	34
60A		153	72	145	22	Φ64	Φ48	Φ51	18	5.5	4.5	56	47.5



CN710 系列防爆正压配电柜

CN710
Series Explosion-proof positive
voltage power distribution
cabinet

IIB/IIC/Ex tb



G 产品概述 Product overview

- 防爆性能符合 -CENELEC标准 -IEC标准
- 适用于 1区和2区 21区和22区
- 防爆类型 IIB, IIC
壳体类型G、X、Q、T、K
- 产品采用主、副腔结构，主腔为正压腔，内装用户所需的电器元件和防爆必须的检压传感系统、通风布气系统、气压调节系统等；副腔内装防爆换气自控系统、防爆电源自切换系统、防爆报警系统、防爆压力显示系统、进出气源接口，自供气规格产品的副腔内还装有防爆供气装置；
- 柜式产品采用GGD柜架，主副腔为左、右结构，电缆沟座式安装，下进线、前门操作，后门检修；
- 箱式产品采用优质钢板焊接结构，主、副腔为上、下结构，挂式安装，下进线，前门操作和检修；
- 柜式和琴式产品后门均采用快速开门装置，方便用户安装和检修。
- Explosion-proof performance conforms to -CENELEC standard -IEC standard
- Suitable for zone 1 and zone 2 zone 21 and zone 22
- Explosion-proof type IIB, IIC Shell type G, X, Q, T, K
- The product adopts the main and auxiliary cavity structure, the main cavity is a positive pressure cavity, and the electrical components required by the user and the pressure detection sensor necessary for explosion protection are installed inside system, ventilation and air distribution system, air pressure adjustment system, etc; the auxiliary cavity is equipped with an explosion-proof air exchange automatic control system and an explosion-proof power supply automatic switching system, explosion-proof alarm system, explosion-proof pressure display system, inlet and outlet gas source connection ports, self-supplied specifications products are also installed in the auxiliary cavity have explosion-proof gas supply device;
- The cabinet type product adopts GGD cabinet frame, the main and auxiliary cavity is left and right structure, the cable groove seat type installation, the line enters, the front door operation, the rear door overhaul;
- Box-type products adopt high-quality steel plate welding structure, overhaul;
- The back doors of cabinet-type and piano-type products adopt quick-opening device, which is convenient for users to install and repair.

1区& 2区; 21区& 22区

zone1, zone2, zone21, zone22

CN710 系列防爆正压配电柜

CN710 Series Explosion-proof positive voltage power distribution cabinet

G 工作原理 Positive pressure products

- 采用介质隔离点燃源达到电器防爆目的是正压通风柜的防爆原理。即：把用户所有的电器元件装在一个充满正压力洁净介质的壳体内部，使外部环境中易燃易爆的混合性气体物质无法接触到电器元件在正常工作时所产生的电火花或危险温度，从而达到电器防爆的目的。
- 本产品采用主、副腔结构，主腔为正压腔，内装用户所需的电器元件和防爆必须的检压传感系统、通风布气系统、气压调节系统等，副腔内装防爆换气自控系统、防爆电源自切系统、防爆报警系统、防爆压力显示系统、进出气源接口，自供气规格产品的副腔内还装有防爆供气装置。
- CN710系列正压柜设置换气连锁，产品投运前，只有经过主腔内腔换气，并达到规定的时间和换气量后，确保主腔内部吹去了易燃易爆气体，副腔才能受电，并开始检测主腔气压，确保产品投运时电器元件已被洁净介质有效隔离。
- 用户提供气源时，须配备洁净或惰性气体气源，一般情况下用户现场的仪表气源可满足要求。气源压力为0.2~0.8MPa或0.2~0.5MPa (根据主腔容积大小确定)。
- 产品适用电源系统为交流三相四线制380V/220V系统及所有弱电系统，不适用于更高电压系统。
- Pz型系列正压柜为专用于2区而设计的一种正压防爆柜，Pz系列和Px系列相比，省略了检查换气时间的安全装置，仅标明了换气的的时间，由用户在主腔通电前按要求进行操作；另外，当内部气压低于100Pa时，自控系统自动报警(声光)，并开启进气，自内部气压降到60Pa时，系统不自动断电，继续报警。
- 用户订货时，应提供电气原理图、控制原理图，内装元件品牌、产品的面板元件布置图、进出口规格、数量。
- It is the explosion-proof principle of the positive pressure fume hood to use the medium to isolate the ignition source to achieve the purpose of electrical Explosion-proof. That is: put the user's the electrical components are installed in a shell filled with a positive pressure clean medium, which is flammable and explosive in the external environment the body material cannot touch the electric spark or dangerous temperature generated by the electrical components during normal operation, so as to reach the electrical the purpose of explosion protection.
- This product adopts the main and auxiliary cavity structure, the main cavity is a positive pressure cavity, and the electrical components required by the user and the necessary inspections for explosion protection are installed inside. Pressure sensing system, ventilation and air distribution system, air pressure adjustment system, etc. The auxiliary cavity is equipped with an Explosion-proof air exchange automatic control system, an Explosion-proof electrical originated from cutting system, Explosion-proof alarm system, Explosion-proof pressure display system, inlet and outlet gas source connection ports, self-supply specifications products an explosion-proof supply and demand device is also installed in the auxiliary cavity.
- CN710 Series positive pressure cabinet is equipped with a ventilation chain. Before the product is put into operation, it can only pass through the inner cavity of the main cavity to ventilate and meet the specified requirements. after time and air exchange rate, make sure that the flammable and explosive gas is blown out of the main cavity, so that the auxiliary cavity can receive electricity and start to detect the main cavity. the air pressure of the chamber ensures that the electrical components have been effectively isolated by the clean medium when the product is put into operation.
- When the user provides a gas source, it must be equipped with a clean or inert gas source. Under normal circumstances, the instrument gas source on the user site can be full meet the requirements. The air source pressure is 0.2~0.8MPa or 0.2~0.5MPa (determined according to the volume of the main chamber).
- The applicable power system of the product is AC three-phase four-wire 380V/220V system and all weak current systems, not suitable for higher power pressure system.
- The Pz series positive pressure cabinet is a positive pressure Explosion-proof cabinet specially designed for zone 2. Compared with the Px series, the Pz series is omitted. the safety device for checking the ventilation time only indicates the ventilation time, which is carried out by the user as required before the main chamber is energized. operation; In addition, when the internal pressure is lower than 100Pa, the automatic control system will automatically alarm (sound and light), and open the air intake, from the inside when the air pressure drops to 60 Pa, the system will not automatically power off and continue to alarm.
- When ordering, users should provide electrical schematic diagrams, control schematic diagrams, built-in component brands, and product panel component layout figures, import and export specifications, quantities.



G 型号含义 Model meaning

CN710 - □/□/□	
□ □ □	
□	正压型防爆电器 Positive pressure type explosion-proof electrical appliances
□	T: 通风型 Ventilation type; B: 补偿型 Compensation type
□	柜式 Cabinet I: K1、K2、K3.....K15 柜式 Cabinet II: G1、G2、G3 箱式 Box type: X1、X2、X3 琴式 Piano style: Q 特殊要求 Special requirements: T
□	保护形式 Form of protection Pz

G 技术参数 Technical parameter

防爆正压配电柜(Ex pz IIC) Explosion-proof positive voltage distribution cabinet(Ex pz IIC)	CN710-□/□/□
防爆型式 Explosion proof type	Ex II3G Ex pz IIC T5 Gc
气体防爆型式 Gas explosion proof type	Ex II3D Ex tb IIIC T95°C Db
粉尘防爆型式 Dust explosion proof type	
执行标准 Executive standard	EN 60079-0, EN 60079-2, EN 61241-4 IEC 60079-0, IEC 60079-2, IEC 61241-4
正压腔压力 Positive pressure chamber pressure	200Pa~800Pa(0.002bar~0.008bar)
气源压力 Air pressure	0.2MPa~0.8MPa(2bar~8bar)
额定电压 Rated voltage	Max. 690V AC / 500V DC
额定电流 Rated current	Max. 630A
壳体材质 Shell material	不锈钢或碳钢喷塑 Stainless steel or carbon steel sprayed
防护等级 Protection level	IP65、IP66
周围环境温度 Ambient temperature	-10°C~+55°C

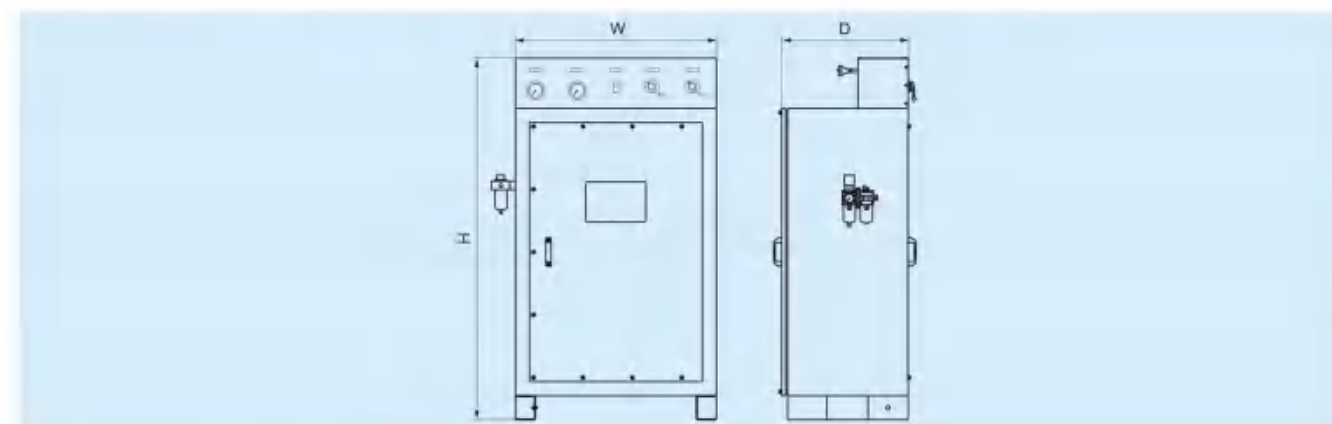


CN710 系列防爆正压配电柜
CN710 Series Explosion-proof positive voltage power distribution cabinet

G 选配表 Selection table

型号 Model	外形尺寸W×H×D(mm) Outline dimension	主腔尺寸W×H×D(mm) Main cavity size	负腔尺寸W×H×D(mm) Negative cavity size	主控操作面板有效尺寸W×H(mm) Effective size of main chamber operation panel	安装尺寸(mm) Installation size
K1	680 x 1400 x 385	680 x 1000 x 345	680 x 280 x 345	400 x 700	600 x 180
K2	880 x 1400 x 385	880 x 1000 x 345	880 x 280 x 345	580 x 700	800 x 180
K3	1000 x 1400 x 440	1000 x 1000 x 400	1000 x 280 x 345	700 x 700	920 x 280
K4	1000 x 1400 x 650	1000 x 1000 x 600	1000 x 280 x 345	700 x 700	920 x 459
K5	1000 x 1400 x 870	1000 x 1000 x 820	1000 x 280 x 345	700 x 700	920 x 679
K6	1000 x 1680 x 440	1000 x 1280 x 400	1000 x 280 x 345	700 x 980	920 x 280
K7	1000 x 1680 x 650	1000 x 1280 x 600	1000 x 280 x 345	700 x 980	920 x 459
K8	1000 x 1680 x 870	1000 x 1280 x 820	1000 x 280 x 345	700 x 980	920 x 679
K9	1000 x 1830 x 440	1000 x 1430 x 400	1000 x 280 x 345	700 x 1130	920 x 280
K10	1000 x 1830 x 650	1000 x 1430 x 600	1000 x 280 x 345	700 x 1130	920 x 459
K11	1000 x 1830 x 870	1000 x 1430 x 820	1000 x 280 x 345	700 x 1130	920 x 679
K12	1200 x 1920 x 870	1200 x 1800 x 820	700 x 300 x 250	900 x 1500	1120 x 679
K13	1000 x 1920 x 870	1000 x 1800 x 820	700 x 300 x 250	700 x 1500	920 x 679
K14	1200 x 2350 x 870	1200 x 2200 x 820	700 x 300 x 250	900 x 1900	1120 x 679
K15	1000 x 2350 x 870	1000 x 2200 x 820	700 x 300 x 250	700 x 1900	920 x 679

G 外形示意图 (所有尺寸单位为mm) - 可修改 Outline diagram (all dimensions in mm)-can be modified



G Pz型系列正压柜 Pz Series positive pressure cabinet

- 为专用于2区而设计的一种正压防爆柜，Pz系列和Px系列相比，省略了检查换气时间的安全装置，仅标志换气的的时间，由用户在主控通电前按要求进行；另外，当内部气压低于100Pa时，自控系统自动报警(声光)，并开启进气，自动调整内部补气，补气成功时，自动恢复正常，不成功并内部气压降到60Pa时，系统不自动断电，继续报警。
- A positive pressure explosion-proof cabinet designed specifically for zone 2. Compared with the Px series, the Pz series omits the safety device for checking the ventilation time, and only marks the ventilation time. The user must before the main chamber is energized proceed as required; in addition, when the internal pressure is lower than 100Pa, the automatic control system will automatically alarm (sound and light), and turn on the air intake, and automatically adjust the internal air supplement. When the air supplement is successful, it will automatically return to normal when it succeeds and the internal air pressure drops to 60Pa, the system will not automatically power off and continue to alarm.

G 订货须知 Ordering instructions

- 订货时按型号含义请提供详细的产品型号;
- 用户应提供电气系统图、控制原理图，内装元件品牌及产品的面板元件布置图、进出线电缆大小、数量等。
- Please provide a detailed product model according to the meaning of the model when ordering;
- The user should provide electrical system diagrams, control schematic diagrams, internal component brands and product panel component layout diagrams, size and quantity of incoming and outgoing cables.



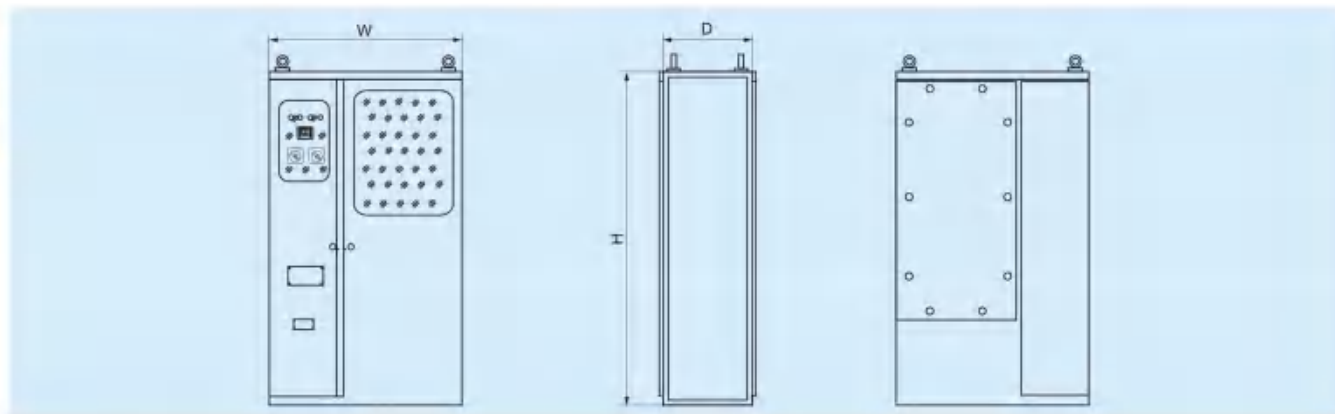
G 技术参数 Technical parameter

防爆正压配电柜(Ex px IIB) Explosion-proof positive voltage distribution cabinet(Ex px IIB)	CN710-□/□□
防爆型式 Explosion proof type	II2G Ex db eb [ia] ia px IIB T4 Gb
执行标准 Executive standard	EN 60079-0, EN 60079-1, EN 60079-2, EN 60079-7, EN 60079-11 IEC 60079-0, IEC 60079-1, IEC 60079-2, IEC 60079-7, IEC 60079-11
正压腔压力 Positive pressure chamber pressure	200Pa~800Pa(0.002bar~0.008bar)
气源压力 Air pressure	0.2MPa~0.8MPa(2bar~8bar)
额定电压 Rated voltage	Max. 690V AC
额定电流 Rated current	Max. 630A
壳体材质 Shell material	不锈钢或碳钢喷塑 Stainless steel or carbon steel sprayed
防护等级 Protection level	IP65、IP66
周围环境温度 Ambient temperature	-40°C~+55°C

G 选配表 Selection table

型号 Model	外形尺寸W×H×D(mm) Outline dimension	主腔尺寸W×H×D(mm) Main cavity size	负腔尺寸W×H×D(mm) Negative cavity size	主控操作面板有效尺寸W×H(mm) Effective size of main chamber operation panel	安装尺寸(mm) Installation size
G1	1200 x 1800 x 600	800 x 1800 x 600	400 x 1800 x 600	600 x 1500	1000 x 550
G2	1400 x 2100 x 600	1000 x 2100 x 600	400 x 2100 x 600	800 x 1800	1200 x 550
G3	1400 x 2100 x 800	1000 x 2100 x 800	400 x 2100 x 800	800 x 1800	1200 x 750

G 外形示意图 (所有尺寸单位为mm) - 可修改 Outline diagram (all dimensions in mm)-can be modified



G CN710系列正压柜 CN710 Series positive pressure cabinet

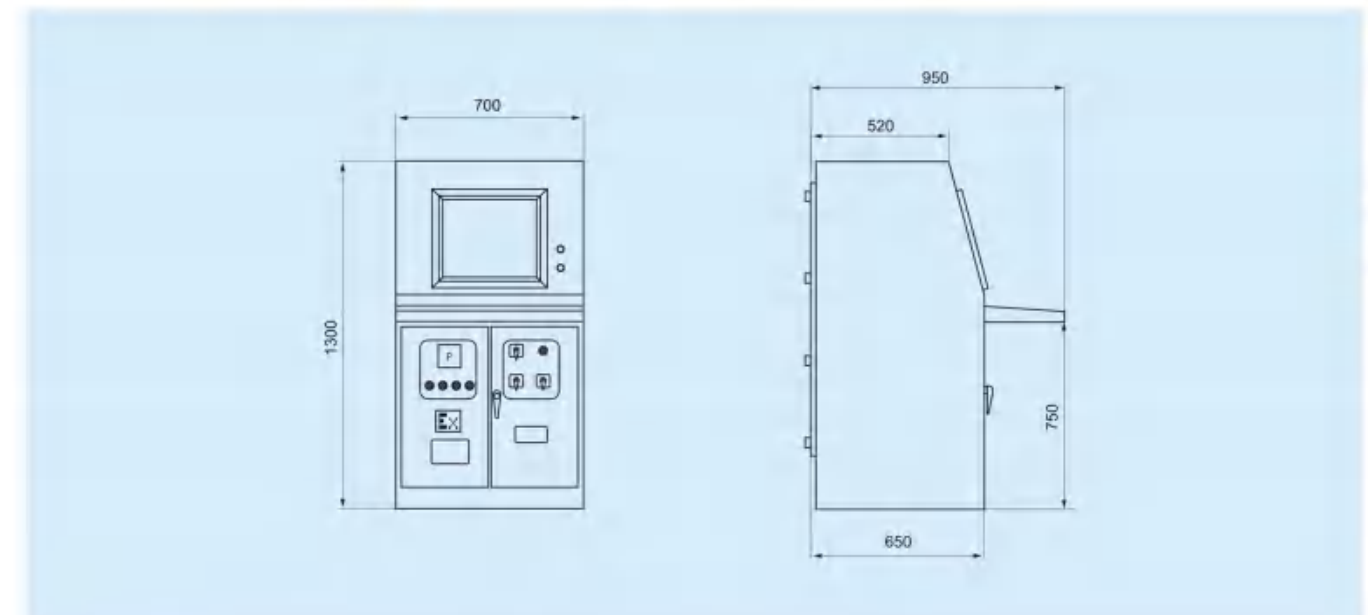
- ◆ 柜式产品正压内腔容积大，内装元件数量多，适合大型设备（大电源）的启动、控制，尤其是变频调速、软启动等，也适合集中控制、工艺控制、仪表分析、信号集中处理系统；
- ◆ 用户根据内装电器元件的数量，选择适合的柜式尺寸（G1、G2、G3），并可根据下表提供的“主控操作面板有效尺寸”设计面板元件布置图，供我公司参考；
- ◆ 可按用户要求进行特殊设计；
- ◆ The cabinet-type product has a large positive pressure cavity and a large number of internal components. It is suitable for the startup and control of large-scale equipment (large power supply), especially frequency conversion speed regulation, soft start, etc. It is also suitable for centralized control and process control system, instrument analysis, signal centralized processing system;
- ◆ The user can select the appropriate cabinet size (G1, G2, G3) according to the number of electrical components inside, and can design the layout of the panel components according to the "effective size of the main cavity operation panel" provided in the following table for our company's reference;
- ◆ Special design can be made according to user requirements;



G 技术参数 Technical parameter

防爆正压配电柜(Ex px IIC) Explosion-proof positive voltage distribution cabinet(Ex px IIC)	CN710-□/□□
防爆型式 Explosion proof type	II2G Ex db eb px IIC T4 Gb
气体防爆型式 Gas explosion proof type	II2G Ex db eb px IIC T4 Gb
粉尘防爆型式 Dust explosion proof type	II2D Ex tb IIIC T130°C Db
执行标准 Executive standard	EN 60079-0, EN 60079-1, EN 60079-2, EN 60079-7, EN 61241-4 IEC 60079-0, IEC 60079-1, IEC 60079-2, IEC 60079-7, IEC 61241-4
正压腔压力 Positive pressure chamber pressure	200Pa~800Pa(0.002bar~0.008bar)
气源压力 Air pressure	0.2MPa~0.8MPa(2bar~8bar)
额定电压 Rated voltage	Max. 690V AC
额定电流 Rated current	Max. 630A
壳体材质 Shell material	不锈钢或碳钢喷塑 Stainless steel or carbon steel sprayed
防护等级 Protection level	IP65、IP66
周围环境温度 Ambient temperature	-40°C~+55°C

G 外形示意图 (所有尺寸单位为mm) - 可修改 Outline diagram (all dimensions in mm)-can be modified



G CN710系列正压柜 CN710 Series positive pressure cabinet

- ◆ 琴式产品正压内腔内装元件主要以现场控制元件、分析仪表、集中控制、信号联络为主，实现现场连续操作、监控。
- ◆ 可根据用户加装电脑；
- ◆ 可按用户要求进行特殊设计。
- ◆ The components installed in the positive pressure cavity of the piano products are mainly on-site control components, analytical instruments, centralized control, and signal communication to achieve continuous on-site operation and monitoring.
- ◆ Computers can be installed according to users;
- ◆ Special design can be made according to user requirements.



CN720
系列防爆分析小屋

CN720
Series Explosion-proof
analysis cabin

IIB/Ex tb



G 产品概述 Product overview

- ◆ 防爆性能符合
 - CENELEC标准
 - IEC标准
- ◆ 适用于
 - 1区和2区
 - 21区和22区
- ◆ 壳体材质不锈钢或碳钢喷塑。
- ◆ 防爆控制箱为常规控制箱或PLC程序化控制箱，可燃气体探测器、有毒气体探测器为模块化设计，感温探测器、感烟探测器、压力变送器为本安防爆部件，防爆离心式风机功率根据房间大小确定，防爆空调型号根据房间大小确定，具有声光报警连锁系统，照明系统为防爆荧光灯，防爆应急灯具为LED光源。
- ◆ Explosion-proof performance conforms to
 - CENELEC standard
 - IEC standard
- ◆ Suitable for
 - Zone 1 and Zone 2
 - Zone 21 and 22
- ◆ The shell material is stainless steel or carbon steel sprayed.
- ◆ The Explosion-proof control box is a conventional control box or a PLC programmable control box, and the combustible gas detector and toxic gas detector are modules design, temperature detectors, smoke detectors, pressure transmitters are intrinsically safe Explosion-proof components, explosion-proof centrifugal fan power root according to the size of the room, the Explosion-proof air conditioner model is determined according to the size of the room, with a sound and light alarm interlocking system, and the lighting system is Explosion-proof fluorescent lamps and explosion-proof emergency lamps are LED light sources.

1区& 2区; 21区& 22区

zone1, zone2, zone21, zone22

CN720 系列防爆分析小屋
CN720 Series Explosion-proof analysis cabin

G 型号含义 Model meaning

CN720 - □ / □
□ □ □

- 防爆分析小屋 Explosion-proof analysis cabin
- I: 12' (12' x 8' x 9')
- II: 20' (20' x 8' x 9')
- T: 其余尺寸可按照用户要求定制 Other sizes can be customized according to user requirements
- T(碳钢 Carbon steel)
- S(不锈钢 Stainless steel)

- ◆ 本产品采用型钢结构，焊接而成。
- ◆ 1区A60防火等级
- ◆ 符合DNV 2.7-1, 2.7-2结构规范
- ◆ 火灾探测与保护功能
- ◆ 有毒气体探测系统
- ◆ 配有专用的空调系统
- ◆ 有持续清洁气体充入，且保持内部空气清新、安全。
- ◆ 火灾自动阻隔 (自动防故障)
- ◆ 配灭火器
- ◆ 双重密封门，并配有观察窗及逃生门
- ◆ 特殊要求根据用户要求定制
- ◆ This product adopts section steel structure and is welded together.
- ◆ A60 fire rating in zone 1
- ◆ Comply with DNV 2.7-1, 2.7-2 structural specifications
- ◆ Fire detection and protection function
- ◆ Toxic gas detection system
- ◆ Equipped with a dedicated air conditioning system
- ◆ There is continuous clean gas filling, and the internal air is kept fresh and safe.
- ◆ Automatic fire prevention (automatic failure prevention)
- ◆ Equipped with fire extinguisher
- ◆ Double sealed door with observation window and escape door
- ◆ Special requirements are customized according to user requirements



G 分析小屋 Proof analysis cabin

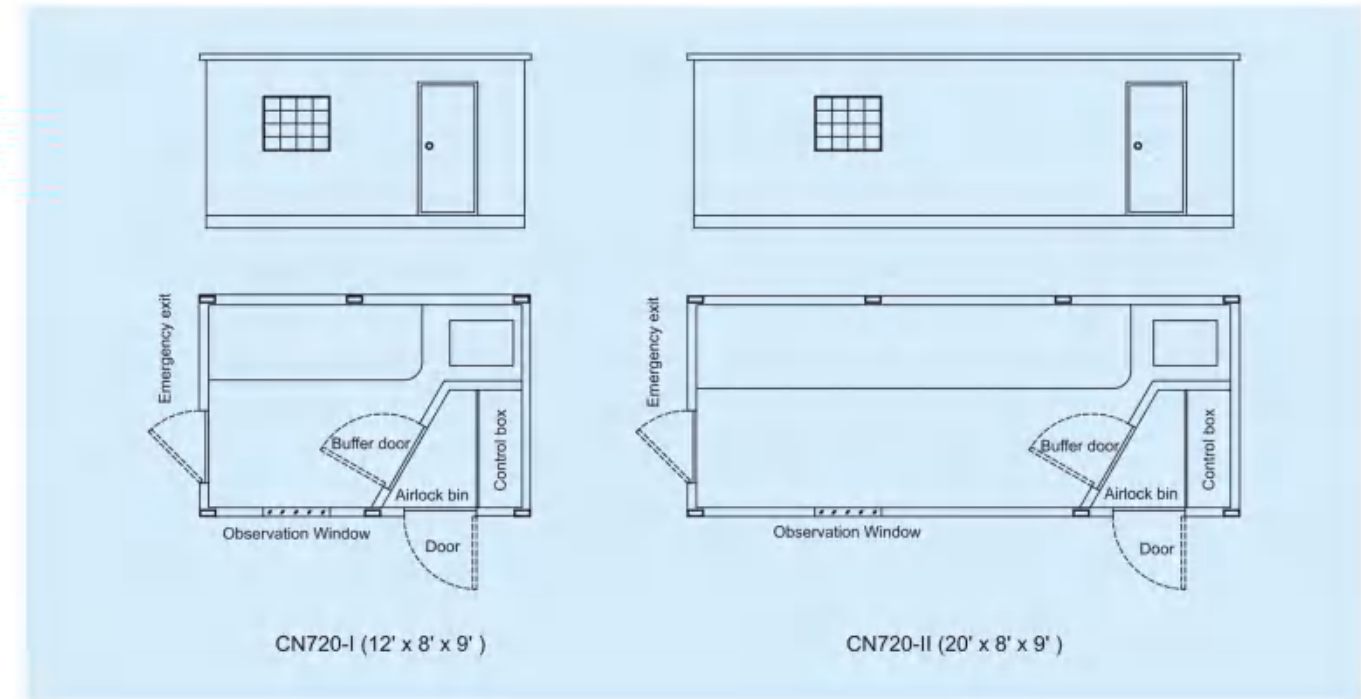
- ◆ 有2种壳体尺寸
- ◆ 可按用户特殊要求定制
- ◆ 正压型分析小屋集工业在线仪表的组合、成套、安装应用于一体，并首先在油田、炼油、化工企业中得到广泛应用。
- ◆ 分析小屋采用型钢结构，内外腔均为钢板，中间为隔热层。
- ◆ 本系列产品主要是实现用户现场集中控制、调度指挥、工艺分析、仪表监控的防爆处理。
- ◆ 本系统由房间主体结构、正压控制系统、正压通风系统、压力监测系统、可燃气体探测系统、有毒气体探测系统、高温报警系统、烟雾报警系统、声光报警连锁系统、照明系统、空调系统、通用电源系统、用户电气系统组成。
- ◆ There are 2 shell sizes
- ◆ Can be customized according to user's special requirements
- ◆ The positive pressure engineering cabin integrates the combination, complete set, installation and application of industrial online instruments. it is widely used in oil refining and chemical enterprises.
- ◆ The engineering house adopts a section steel structure, the inner and outer cavities are all steel plates, and the middle is an insulation layer.
- ◆ This series of products is mainly to realize the user site centralized control, scheduling command, process analysis, instrument monitoring explosion-proof processing.
- ◆ The system consists of the main structure of the room, positive pressure control system, positive pressure ventilation system, pressure monitoring system, combustible gas detection system, toxic gas detection system, high temperature alarm system, smoke alarm system, sound and light alarm interlocking system, lighting system, air conditioning system, general power system, user electrical system.

G 技术参数 Technical parameter

防爆分析小屋(Ex px IIB) Explosion-proof analysis cabin(Ex px IIB)	CN720-□/□□
防爆型式 Explosion proof type	Ex II2G Ex *** T4 Gb
气体防爆型式 Gas explosion proof type	Ex II2D Ex tb IIIC T130°C Db
粉尘防爆型式 Dust explosion proof type	
执行标准 Executive standard	EN 60079-0, EN 60079-13 IEC 60079-0, IEC 60079-13
正常工作压力 Normal working pressure	50Pa~100Pa(0.0005bar~0.001 bar)
气源压力 Air pressure	0.4MPa~0.8MPa(4bar~8bar)
用户系统额定电压 Rated voltage of user system	220V/380V/400V/440V/460V/660V/690V AC
正压控制系统额定电压 Rated voltage of positive pressure control system	220V/380V AC 50/60Hz
正压控制系统额定电流 Rated current of positive pressure control system	10A
壳体材质 Shell material	不锈钢或碳钢喷塑 Stainless steel or carbon steel sprayed
防护等级 Protection level	IP65、IP66
周围环境温度 Ambient temperature	-20°C~+55°C

CN720 系列防爆分析小屋
CN720 Series Explosion-proof analysis cabin

G 外形示意图 (所有尺寸单位为mm) - 可修改 Outline diagram (all dimensions in mm)- can be modified



G 内部电器组件 Internal electrical components





CN730
系列防爆窗式空调

CN730
Series Explosion-proof window
air conditioner

IIB/Ex tb



G 产品概述 Product overview

- ◆ 防爆性能符合
 - CENELEC标准
 - IEC标准
- ◆ 适用于 2区
- ◆ 窗式防爆空调只有T1和T3环境温度组别的单制冷机型。
- ◆ 窗式防爆空调是在著名品牌普通空调的基础上对内部的电气控制单元、压缩机、室内外风机、温度传感系统、保护系统、散热系统、制冷系统等有针对性进行防爆处理，防爆处理后其外形尺寸与原型机相同，安装方式与原型机相同。
- ◆ Explosion-proof performance conforms to
 - CENELEC standard
 - IEC standard
- ◆ Suitable for zone 2
- ◆ Window-type explosion-proof air conditioners only have single-refrigeration models in the T1 and T3 ambient temperature groups.
- ◆ The window type explosion-proof air-conditioner is on the basis of the famous brand of common air conditioning to internal electrical control unit, compressor, indoor and outdoor fan, temperature sensing system, protection system, cooling system, cooling system, such as targeted explosion-proof processing, explosion-proof treatment afterwards its appearance size is the same as the prototype, installation is the same as the prototype.

1区& 2区; 21区& 22区

zone1, zone2, zone21, zone22

CN730 系列防爆窗式空调
CN730 Series Explosion-proof window air conditioner

G 型号含义 Model meaning

	CN730 - □ / □
	□ □ □
□	防爆空调 Explosion-proof air conditioner
□	标称制冷量的百分比 Percentage of nominal cooling capacity
□	额定电压 Rated voltage

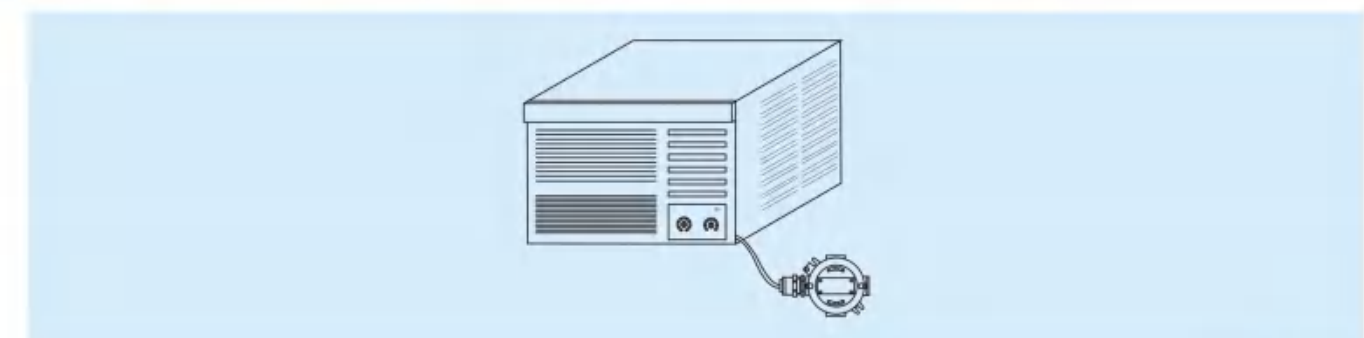
G 技术参数 Technical parameter

防爆窗式空调 Explosion-proof window air conditioner	CN730-□/□		
防爆型式 Explosion proof type	Ex II3G Ex db nC IIB T4 Gc		
执行标准 Executive standard	EN 60079-0, EN 60079-1, EN 60079-15 IEC 60079-0, IEC 60079-1, IEC 60079-15		
型号 Model	CN730-50/220	CN730-70/220	
制冷量 Cooling capacity	W	5400	7000
	BTU	18000	24000
额定电压/频率 Rated voltage/frequency(V/Hz)	220~240/50		
输入功率 Input power(P)	2P	3P	
制冷输入功率 Cooling input power(W)	2750	3770	
额定电流 Rated current(A)	12.8		
适用面积 Applicable area(m ²)	22~32	30~40	
噪音 Noise(dB)	室内机 Indoor unit	≤53	≤57
	室外机 The outdoor unit	≤60	≤63
外形尺寸 Outline dimension(L x W x H)(mm)	730 x 680 x 450	730 x 680 x 450	

注：常规供货为额定电压为220~240V AC/50Hz。需要其它额定电压，如220~240V AC/60Hz等，请在订货时特别注明。以上技术参数，仅供参考，所有产品技术参数以实物为准。

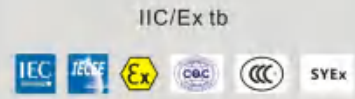
Note: The regular supply is 220~240V AC/50Hz. Other rated voltages are needed, such as 220~240V AC/60Hz, etc., please specify when ordering. The above technical parameters are only for reference, all product technical parameters are subject to the actual product.

G 外形示意图 (所有尺寸单位为mm) - 可修改 Outline diagram (all dimensions in mm)- can be modified





CN730
系列防爆挂式空调(IIC)
CN730
Series Explosion-proof hanging
air conditioner(IIC)



G 产品概述 Product overview

- ◆ 防爆性能符合 -CENELEC标准 -IEC标准
- ◆ 适用于 1区和2区 21区和22区
- ◆ 挂式防爆空调有单制冷、冷暖两种机型，环境温度组别有T1、T2、T3三种，满足于世界的中、低、高温地区的需求。挂式防爆空调是在著名品牌普通空调的基础上，对室外机及室内机采用多种防爆形式进行处理，具体为室外机采用特殊工艺处理方法和控制方法对内部电器控制单元、压缩机、室外风扇电机、保护系统、散热系统、制冷系统进行防爆处理，此外防爆控制箱及传感系统采用本安处理。防爆处理后其外形尺寸与原机型相同，安装方式与原机型相同。室内机采用特殊工艺处理方法和控制方法对内部电器控制单元解体后，重新设计制造为防爆结构形式，形成独立的防爆控制箱，遥控器(3V本安电源)及传感系统采用本安型处理方法，防爆处理后其外形尺寸与原机型相同，安装方式与原机型相同。
- ◆ Explosion-proof performance conforms to -CENELEC standard -IEC standard
- ◆ Suitable for zone 1 and zone 2 zone 21 and zone 22
- ◆ The hanging type Explosion-proof air conditioner has two models of single cooling and heating and cooling. There are three types of ambient temperature groups: T1, T2, and T3 to meet the needs of the medium, low and high temperature areas in the world. The hanging type explosion-proof air conditioner is based on the well-known brand ordinary air conditioner. the outdoor unit and indoor unit are processed in a variety of explosion-proof forms. Specifically, the outdoor unit adopts special processing methods and control methods. the manufacturing method is effective for internal electrical control units, compressors, outdoor fan motors, protection systems, heat dissipation systems, and refrigeration systems. the system is subjected to Explosion-proof treatment. In addition, the Explosion-proof control box and sensor system adopt intrinsically safe treatment. Dimensions after explosion-proof treatment same as the original model, and the installation method is the same as the original model. The indoor unit adopts special processing method and control method to after the internal electrical control unit is disassembled, it is redesigned and manufactured into an explosion-proof structure to form an independent Explosion-proof control box. The remote control (3V intrinsically safe power supply) and the sensing system adopt intrinsically safe processing methods. After the explosion-proof treatment, its dimensions and prototype the machine is the same, and the installation method is the same as the original machine.

1区& 2区; 21区& 22区

zone1, zone2, zone21, zone22

CN730 系列防爆挂式空调(IIC)
Cn730 Series Explosion-proof hanging air conditioner(IIC)

G 型号含义 Model meaning

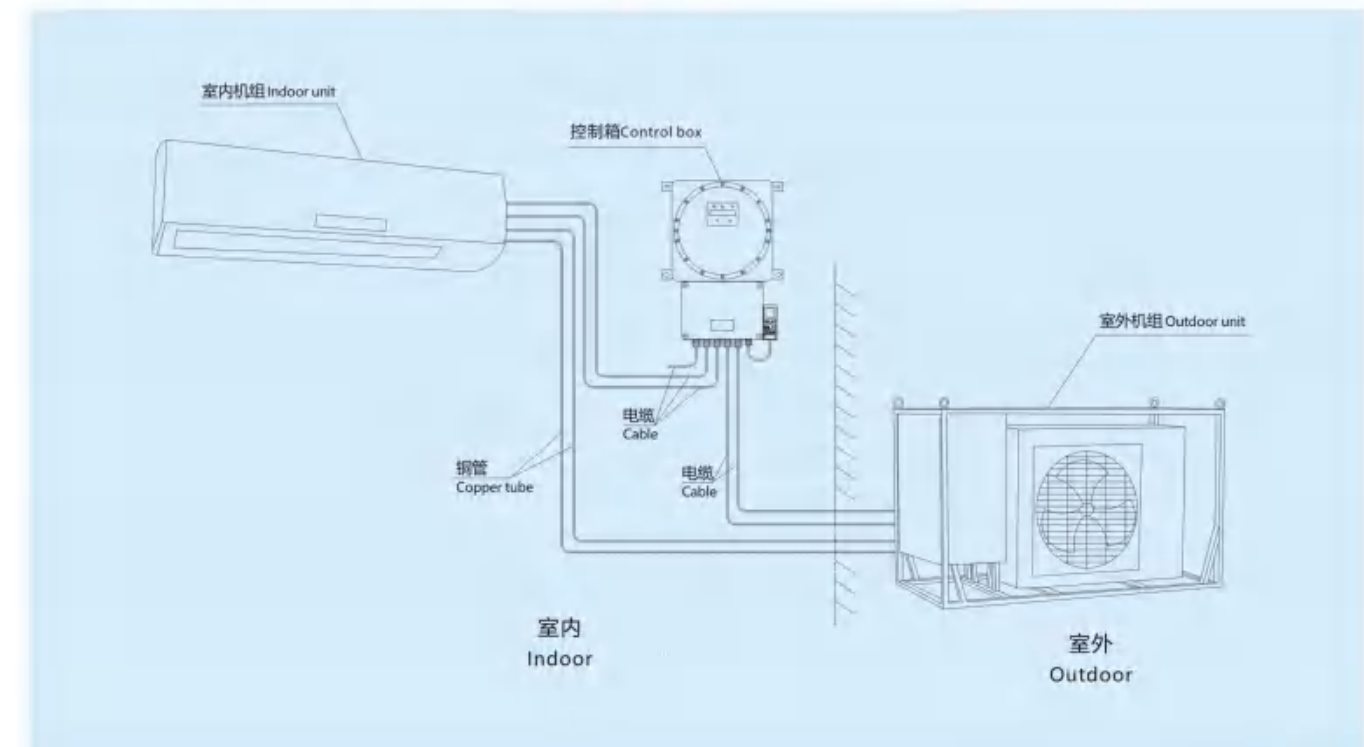
CN730 - □ / □
□ □ □

- 防爆空调 Explosion-proof air conditioner
- 标称制冷量的百分比 Percentage of nominal cooling capacity
- 额定电压 Rated voltage

G 技术参数 Technical parameter

防爆挂式空调 Explosion-proof hanging air conditioner	CN730-□/□□
防爆型式 Explosion proof type	Ex II2G Ex db eb ib mb px IIC T4 Gb
气体防爆型式 Gas explosion proof type	Ex II2D Ex tb IIIC T130°C Db
粉尘防爆型式 Dust explosion proof type	
执行标准 Executive standard	EN 60079-0, EN 60079-1, EN 60079-2, EN 60079-7, EN 60079-11 EN 60079-18, EN 60079-31, EN 61241-4, EN 13463-1 IEC 60079-0, IEC 60079-1, IEC 60079-2, IEC 60079-7, IEC 60079-11 IEC 60079-18, IEC 60079-31, IEC 61241-4, IEC 61241-11

G 外形示意图 (所有尺寸单位为mm) - 可修改 Outline diagram (all dimensions in mm) - can be modified





G 技术参数 Technical parameter

型号 Model	CN730-50/220	CN730-50/220	CN730-71/220	CN730-71/220
制冷量 Cooling capacity	W	5275	5275	6448
	BTU	18000	18000	24000
制热量 Heating capacity(W)	—	5600	—	6600
额定电压/频率 Rated voltage/frequency(V/Hz)	220~240/50	220~240/50	220~240/50	220~240/50
输入功率 Input power(P)	2P	2P	3P	3P
制冷输入功率(W)/电流(A) Cooling input power (W)/current (A)	1752/8.0	1752/8.5	2186/10.0	2186/10.5
制热输入功率(W)/电流(A) Cooling input power (W)/current (A)	—	1647/7.5	—	1886/8.6
适用面积 Applicable area(m ²)	24~36	22~37	29~48	27~44
噪音 Noise(dB)	室内机 Indoor unit	43	43	44
	室外机 Outdoor unit	54	54	55
外形尺寸 Outline Dimension (L x W x H) (mm)	室内机 Indoor unit	960 x 385 x 245	960 x 385 x 245	1070 x 400 x 275
	室外机 Outdoor unit	1450 x 900 x 700	1450 x 900 x 700	1450 x 900 x 700
	控制箱 Control box	690 x 430 x 211	690 x 430 x 211	690 x 430 x 211

注：常规供货为额定电压为220~240V AC/50Hz。需要其它额定电压，如220~240V AC/60Hz等，请在订货时特别注明。以上技术参数，仅供参考，所有产品技术参数以实物为准。

Note: The regular supply is 220~240V AC/50Hz. Other rated voltages are needed, such as 220~240V AC/60Hz, etc., please specify when ordering. The above technical parameters are for reference only, and all product technical parameters are subject to the actual product.



G 产品概述 Product overview

- ◆ 防爆性能符合 -CENELEC标准 -IEC标准
- ◆ 适用于 1区和2区
- ◆ 柜式防爆空调有单制冷、冷暖两种机型，环境温度组别有T1、T2、T3三种，满足于全球的中、低、高温地区的要求。
- ◆ 柜式防爆空调是在MITSUBISHI、Carrier、OGENERAL(FUJI)或GREE品牌普通空调的基础上，对室外机及室内机采用多种防爆型式进行处理。具体为室外机：采用特殊工艺处理方法和控制方法对内部电气控制单元、压缩机、室外风扇风机、保护系统、散热系统、制冷系统进行防爆处理，此外防爆控制箱及传感系统采用本安处理，防爆处理后其外形尺寸与原机型相同，安装方式与原机型相同。室内机：采用特殊工艺处理方法和控制方法对内部电器控制单元解体后，重新设计制造为防爆结构形式，形成独立的防爆控制箱，遥控器传感系统采用本安型处，防爆处理后其外形尺寸与原机型相同，安装方式与原机型相同。
- ◆ 遥控器通过防爆控制箱内电路板提供3V本安电源，无须加装电池，并且直接固定在防爆控制箱上，操作方便可靠。
- ◆ Explosion-proof performance conforms to -CENELEC standard -IEC standard
- ◆ Suitable for zone 1 and zone 2
- ◆ The cabinet type explosion-proof air conditioner has two types of single cooling and heating and cooling. There are three types of ambient temperature groups: T1, T2, and T3, satisfying the global requirements for medium, low and high temperature areas.
- ◆ The cabinet type explosion-proof air conditioner is based on MITSUBISHI, Carrier, O GENERAL (FUJI) or GREE brand ordinary air conditioners. based on this, a variety of explosion-proof types are used to deal with outdoor units and indoor units. Specifically for outdoor unit: using special process treatment the method and control method are used for the internal electrical control unit, compressor, outdoor fan, protection system, heat dissipation system, and control system.the cold system is subjected to explosion-proof treatment. In addition, the Explosion-proof control box and sensing system adopt intrinsically safe treatment, and the External dimensions after explosion-proof treatment same as the original model, and the installation method is the same as that of the original model. Indoor unit: use special processing methods and control methods for internal after the electrical control unit was disassembled, it was redesigned and manufactured into an explosion-proof structure to form an independent Explosion-proof control box and remote control the sensing system adopts the intrinsically safe type. After the explosion-proof treatment, the external dimensions are the same as the original model, and the installation method is the same as the original model.
- ◆ The remote control provides 3V intrinsically safe power supply through the circuit board in the Explosion-proof control box, without the need to install batteries, and is directly fixed in the Explosion-proof control box. on the box making, the operation is convenient and reliable.

1区& 2区; 21区& 22区
zone1, zone2, zone21, zone22



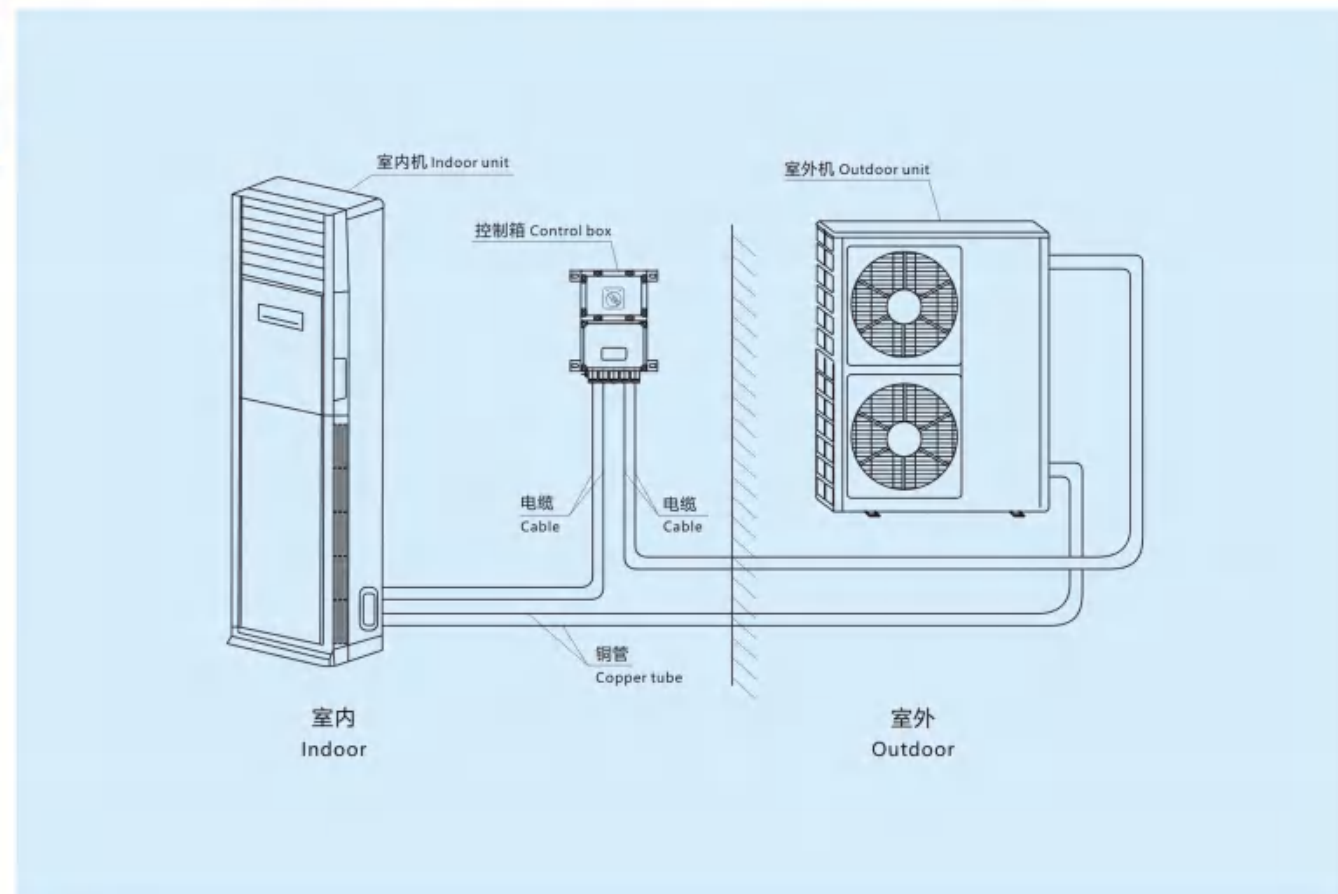
G 型号含义 Model meaning

CN730 - □ / □	
□ □ □	
□	防爆空调 Explosion-proof air conditioner
□	标称制冷量的百分比 Percentage of nominal cooling capacity
□	额定电压 Rated voltage

G 技术参数 Technical parameter

防爆柜式空调 Explosion-proof cabinet air conditioner	CN730-□/□
防爆型式 Explosion proof type	Ex II3(2)G Ex db eb ib [ib Gb] nC IIB T4 Gc Ex II3(2)G Ex db eb ib [ib Gb] nC IIC T4 Gc
执行标准 Executive standard	EN 60079-0, EN 60079-1, EN 60079-7, EN 60079-11, EN 60079-15 IEC 60079-0, IEC 60079-1, IEC 60079-7, IEC 60079-11, IEC 60079-15

G 外形示意图 (所有尺寸单位为mm) - 可修改 Outline diagram (all dimensions in mm)-can be modified



G 技术参数 Technical parameter

型号 Model		CN730-70/220	CN730-70/220	CN730-120/380	CN730-120/380
制冷量 Cooling capacity	W	7300	7300	12200	12200
	BTU	24000	24000	40000	40000
制热量 Heating capacity(W)		-	7800	-	14500
额定电压/频率(V/Hz) Rated voltage/frequency (V/Hz)		220/50	220/50	380/50	380/50
输入功率 Input power(P)		3P	3P	5P	5P
制冷输入功率(W)/电流(A) Cooling input power (W)/current (A)		2780/12.1	2780/12.1	4380/7.8	4380/7.8
制热输入功率(W)/电流(A) Cooling input power (W)/current (A)		-	2600/11.3	-	5000/8.9
适用面积 Applicable area(m ²)		27~32	27~32	50~80	50~80
噪音 Noise(dB)	室内机 Indoor unit	43	43	52	52
	室外机 Outdoor unit	53	53	56	56
外形尺寸 Outline Dimension (L x W x H) (mm)	室内机 Indoor unit	1900 x 600 x 280	1900 x 600 x 280	1900 x 600 x 280	1900 x 600 x 280
	室外机 Outdoor unit	870 x 850 x 319	870 x 850 x 319	1258 x 970 x 369	870 x 850 x 319
	控制箱 Control box	380 x 250 x 165	380 x 250 x 165	380 x 250 x 165	380 x 250 x 165

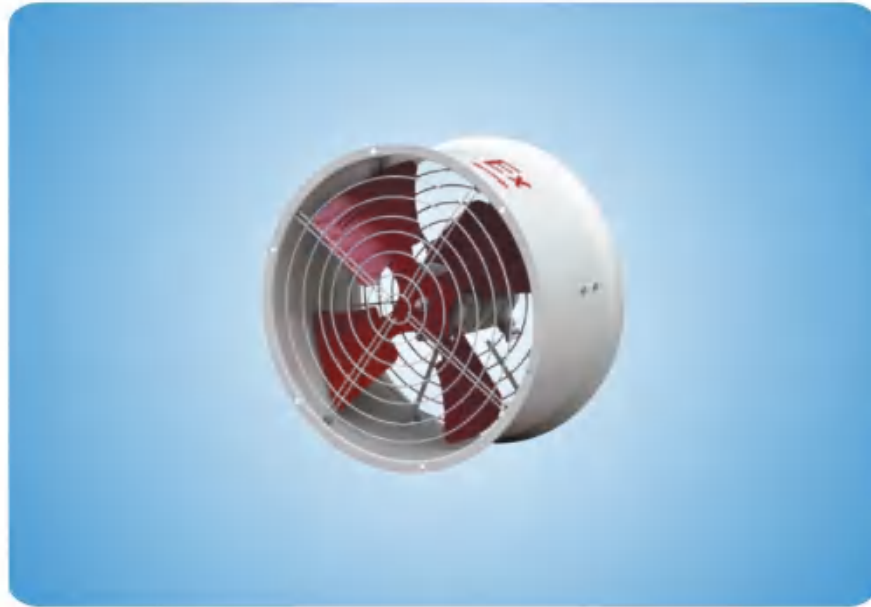
注：常规供货为T1(-7°C~+43°C)温度组别产品，额定电压为220V AC/50Hz。需要其它额定电压，如220V AC/60Hz、230V AC/50Hz、230V AC/60Hz、240V AC/50Hz、240V AC/60Hz、380V AC/50Hz、380V AC/60Hz等，请在订货时特别注明。以上技术参数，仅供参考，所有产品技术参数以实物为准。

Note: The conventional supply is T1 (-7°C~+43°C) temperature group products, and the rated voltage is 220V AC/50Hz. Other rated voltages are required, such as 220V AC/60Hz, 230V AC/50Hz, 230V AC/60Hz, 240V AC/50Hz, 240V AC/60Hz, 380V AC/50Hz, 380V AC/60Hz, etc. Please specify when ordering. The above technical parameters are for reference only, and all product technical parameters are subject to the actual product.



CNBT
系列防爆轴流风机
(IIB、IIC)
CNBT
Series Explosion-proof axial
fan(IIB、IIC)

IIB/IIC/Ex tD



C 适用范围 Scope of application

- 适用于爆炸性气体环境1区、2区场所;
- 适用于IIA、IIB、IIC类爆炸性气体环境;
- 适用于T1~T4组温度组别;
- 广泛用于石油开采、炼油、化工、海洋石油平台、油轮等易燃易爆气体环境。
- Applicable to areas 1 and 2 of explosive gas environment;
- Suitable for IIA, IIB, IIC Explosive gas environment;
- Suitable for T1~T4 temperature groups;
- It is widely used in flammable and explosive gas environment such as petroleum Exploration, oil refining, chemical industry, offshore oil platform, oil tanker and so on.

C 产品特点 Product Features

- 防爆轴流风机由防爆电机、叶片、风筒等部件构成;
- 噪音低、能耗低、防爆性能可靠;
- 电缆布线;
- 主轴转速(或电机功率或风量)可根据用户要求选配;
- 外壳材质可分为钢板或玻璃钢;
- 额定电压: 220V/380V;
- 防爆标志: Ex db IIB T4 Gb、Ex db IIC T4 Gb。
- The explosion-proof axial flow fan is composed of Explosion-proof motors, blades, air ducts and other components;
- Low noise, low energy consumption, reliable explosion-proof performance;
- Cable wiring;
- Spindle speed (or motor power or air volume) can be selected according to user requirements;
- The shell material can be divided into steel plate or glass steel;
- Rated voltage: 220V/380V;
- Explosion-proof mark: Ex db IIB T4 Gb, Ex db IIC T4 Gb.

1区& 2区; 21区& 22区

zone1, zone2, zone21, zone22

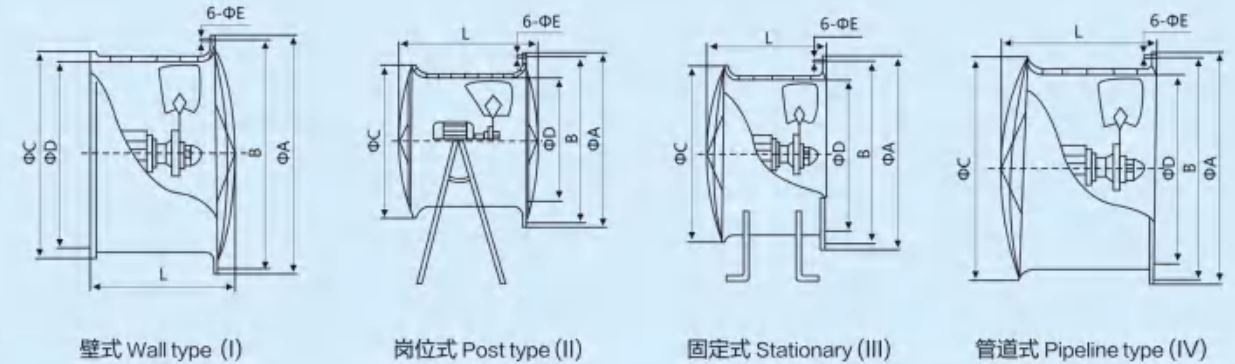
CNBT 系列防爆轴流风机(IIB、IIC)
CNBT Series Explosion-proof axial fan(IIB、IIC)

C 型号含义 Model meaning

CNBT - □□ / □□□
□ □ □ □ □ □

- 防爆轴流风机 Explosion-proof axial fan
- 设计序号 Design serial number
- 叶轮极数 Impeller pole number
- 机号 Machine number
- I: 壁式 Wall type
II: 岗位式 Post type
III: 固定式 Stationary
- IV: 管道式 Pipeline type
- 壳体材质 Shell material
Q: 钢板 Steel plate
B: 玻璃钢 FRP

C 外形安装尺寸举例 Examples of exterior installation dimensions



型号规格 Model specification	L	ΦA	B	ΦC	ΦD	ΦE
CNBT-11-2.8	315(225)	325(355)	305	320(355)	285(285)	8-5
CNBT-11-3.15	315(280)	360(400)	340	350(400)	315(325)	8-5
CNBT-11-3.55	315(325)	400(450)	380	390(440)	355(360)	8-5
CNBT-11-4.0	345(350)	465(505)	440	465(490)	415(410)	8-5
CNBT-11-4.5	345(350)	500(565)	480	490(550)	455(455)	8-5
CNBT-11-5.0	345(370)	565(620)	545	560(600)	520(510)	8-5
CNBT-11-5.6	400(415)	615(695)	595	610(665)	560(570)	8-5
CNBT-11-6.3	400(475)	660(800)	635	650(740)	610(630)	8-5
CNBT-11-7.1	510(510)	760(865)	735	750(830)	710(710)	8-5

注: 括号内尺寸为玻璃钢材质, 括号外尺寸为钢板焊接材质。

Note: The dimensions in the brackets are made of glass fiber reinforced plastics, and the dimensions outside the brackets are made of welded steel plates.



G 产品描述 Product Description

机号 Machine number	叶轮直径(mm) Impeller diameter(mm)	叶轮周速(m/s) Impeller peripheral speed(m/s)	叶轮转速(m/s) Impeller speed(m/s)	叶轮角度(deg) Impeller angle(deg)	风量(m³/h) Air volume(m³/h)	全压(Pa) Full pressure(Pa)	功率(kW) Power(kW)	电机功率(kW) Motor power(kW)
2.8#	280	42.5	2900	15	1649	152	0.87	0.18
				20	2167	169	0.88	
				25	2685	173	0.895	
				30	2921	186	0.88	
				35	3202	232	0.86	
		21.3	1450	15	826	38	0.87	0.25
				20	1086	43	0.88	
				25	1346	44	0.895	
				30	1464	48	0.88	
				35	1605	60	0.86	
3.15#	315	47.5	2900	15	2339	192	0.87	0.18
				20	3074	214	0.88	
				25	3810	220	0.895	
				30	4414	237	0.88	
				35	4545	294	0.86	
		23.9	1450	15	1169	48	0.87	0.37
				20	1537	53	0.88	
				25	1905	55	0.895	
				30	2072	59	0.88	
				35	2273	74	0.86	
3.55#	355	53.9	2900	15	3367	241	0.87	0.18
				20	4426	271	0.88	
				25	5484	278	0.895	
				30	5965	300	0.88	
				35	6542	372	0.86	
		27.0	1450	15	1680	61	0.87	0.37
				20	2208	68	0.88	
				25	2737	70	0.895	
				30	3265	74	0.88	
				35	3977	93	0.86	
4#	400	60.7	2900	15	4806	310	0.87	0.55
				20	6316	345	0.88	
				25	7826	354	0.895	
				30	8513	380	0.88	
				35	9336	473	0.86	
		30.4	1450	15	2406	77	0.87	1.1
				20	3163	86	0.88	
				25	3922	88	0.895	
				30	4263	95	0.88	
				35	4678	119	0.86	
4.5#	450	34.2	1450	15	3427	98	0.87	0.55
				20	4504	110	0.88	
				25	5881	113	0.895	
				30	6070	121	0.88	
				35	6658	150	0.86	

G 产品描述 Product Description

机号 Machine number	叶轮直径(mm) Impeller diameter(mm)	叶轮周速(m/s) Impeller peripheral speed(m/s)	叶轮转速(m/s) Impeller speed(m/s)	叶轮角度(deg) Impeller angle(deg)	风量(m³/h) Air volume(m³/h)	全压(Pa) Full pressure(Pa)	功率(kW) Power(kW)	电机功率(kW) Motor power(kW)
5#	500	38.0	1450	15	4700	122	0.87	0.75
				20	6178	135	0.88	
				25	7655	138	0.895	
				30	8832	149	0.88	
				35	9133	185	0.86	
		25.1	960	15	3314	53	0.87	0.37
				20	4129	59	0.88	
				25	5117	61	0.895	
				30	5566	65	0.88	
				35	6104	81	0.86	
5.6#	560	42.5	1450	15	6595	151	0.87	0.75
				20	8667	169	0.88	
				25	10739	173	0.895	
				30	11682	186	0.88	
				35	12812	232	0.86	
		28.1	960	15	4362	67	0.87	1.1
				20	5730	74	0.88	
				25	7101	75	0.895	
				30	7724	81	0.88	
				35	8471	101	0.86	
6.3#	630	47.8	1450	15	9393	213	0.87	0.37
				20	12345	236	0.88	
				25	15297	242	0.895	
				30	16639	236	0.88	
				35	18250	297	0.86	
		31.7	960	15	6219	84	0.87	0.75
				20	8173	94	0.88	
				25	10128	96	0.895	
				30	11016	104	0.88	
				35	12082	128	0.86	
7.1#	710	53.9	1450	15	13444	244	0.87	1.5
				20	17670	271	0.88	
				25	21895	282	0.895	
				30	23815	300	0.88	
				35	26120	372	0.86	
		36.7	960	15	8902	108	0.87	2.2
				20	11700	120	0.88	
				25	14498	123	0.895	
				30	15769	131	0.88	
				35	17296	104	0.86	



CNAF
系列防爆轴流风机(IIB)
CNAF
Series Explosion-proof axial
fan(IIB)

IIB/Ex tb



G 适用范围 Scope of application

- ◆ 适用于爆炸性气体环境1区、2区场所;
- ◆ 适用于IIA、IIB、IIC类爆炸性气体环境;
- ◆ 适用于T1~T4组温度组别;
- ◆ 广泛用于石油开采、炼油、化工、海洋石油平台、油轮等易燃易爆气体环境。
- ◆ Applicable to areas 1 and 2 of explosive gas environment;
- ◆ Suitable for IIA, IIB, IIC Explosive gas environment;
- ◆ Suitable for T1~T4 temperature groups;
- ◆ Widely used in oil exploitation, oil refining, chemical industry, offshore oil platform, oil tanker and other flammable and explosive gas environment.

1区& 2区; 21区& 22区

zone1, zone2, zone21, zone22

CNAF 系列防爆轴流风机(IIB)
CNAF Series Explosion-proof axial fan(IIB)

G 型号含义 Model meaning

CN AF-□ / □ WF1
□ □ □ □ □

- 防爆其它类 Explosion-proof other types
- 轴流风机 Axial fan
- 扇叶直径 Fan blade diameter
- 额定电压 Rated voltage
- 户外防中腐(不要求不注) Outdoor anti-corrosion(no requirement, no note)

G 技术参数 Technical parameter

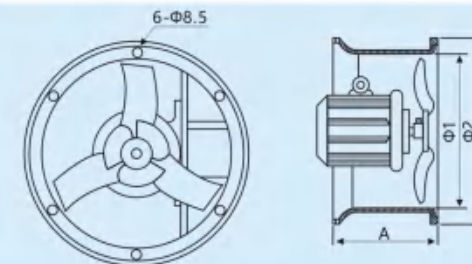
防爆轴流风机(IIB) Explosion-proof axial fan (IIB)	CNAF
防爆标志 Explosion-proof mark	Ex db IIB T4 Gb
执行标准 Executive standard	GB3836.1、GB3836.2、 IEC 60079-0、IEC 60079-1、EN 60079-0、EN 60079-1
额定电压 Rated voltage	220V/380V
主轴转速 Spindle speed	1450r/min
进线口螺纹 Thread of inlet	G3/4"引入口规格 Inlet specification
电缆外径 Cable outer diameter	适合 Suitable for $\Phi 10\text{mm} \sim \Phi 14\text{mm}$ 电缆 cables
防腐等级 Anti-corrosion grade	WF1/WF2

G 选型表 Selection table

型号规格 Model specification	叶轮直径(mm) Impeller diameter(mm)	功率(kW) Power(kW)	风量(m ³ /h) Air volume(m ³ /h)
CNAF-300	300	0.25	2280
CNAF-400	400	0.37	2880
CNAF-500	500	0.55	5900
CNAF-600	600	0.75	8700

G 外形安装尺寸举例 Examples of exterior installation dimensions

型号规格 Model specification	A(mm)	$\Phi 1$ (mm)	$\Phi 2$ (mm)
CNAF-300	285	310	350
CNAF-400	310	410	450
CNAF-500	310	510	550
CNAF-600	335	610	650





CNFS
系列防爆壁式排风扇(IIB)

CNFS
Series Explosion-proof wall
exhaust fan(IIB)

IIB/Ex tb



C 适用范围 Scope of application

- ◆ 适用于爆炸性气体环境1区、2区场所;
- ◆ 适用于IIA、IIB类爆炸性气体环境;
- ◆ 适用于T1~T4组温度组别;
- ◆ 广泛用于石油开采、炼油、化工、海洋石油平台、油轮等易燃易爆气体环境。
- ◆ Applicable to areas 1 and 2 of explosive gas environment;
- ◆ Suitable for IIA, IIB, Explosive gas environment;
- ◆ Suitable for T1~T4 temperature groups;
- ◆ It is widely used in flammable and explosive gas environment such as petroleum Exploration, oil refining, chemical industry, offshore oil platform, oil tanker and so on.

C 产品特点 Product Features

- ◆ 本产品由防爆电机、叶片、安装架等组成;
- ◆ 外形美观、安装架采用一体式, 安装可靠;
- ◆ 带有减振装置, 运行噪音低;
- ◆ 钢管或电缆布线均可;
- ◆ 特别适用于机房、防爆小屋等排气、接气用。
- ◆ This product is composed of Explosion-proof motors, blades, mounting frames etc;
- ◆ Beautiful appearance, integrated installation frame, reliable installation;
- ◆ With damping device, low operating noise;
- ◆ Both steel pipe and cable wiring are acceptable;
- ◆ Especially suitable for exhaust and air connection in computer rooms, Explosion-proof cabins etc.

1区& 2区; 21区& 22区

zone1, zone2, zone21, zone22

CNFS 系列防爆壁式排风扇(IIB)
CNFS Series Explosion-proof wall exhaust fan(IIB)

C 型号含义 Model meaning

CNFS - □ / □ □
□ □ □ □

- 防爆壁式排风扇 Explosion-proof wall exhaust fan
- 叶轮直径 Diameter of impeller
- 额定电压 Rated voltage
- B: 带百叶窗(不要求不注) With blinds (no requirement, no note)

C 技术参数 Technical parameter

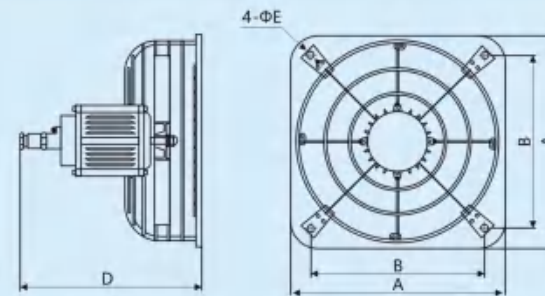
防爆壁式排风扇(IIB) Explosion-proof wall exhaust fan	CNFS
防爆标志 Explosion-proof mark	Ex db IIB T4 Gb
执行标准 Executive standard	GB3836.1、GB3836.2、 IEC 60079-0、IEC 60079-1、EN 60079-0、EN 60079-1
额定电压 Rated voltage	AC220V/AC380V
主轴转速 Spindle speed	1450r/min
进线口螺纹 Thread of inlet	G3/4" 引入口规格 Inlet specification
电缆外径 Cable outer diameter	适合 Suitable for Φ10mm~Φ14mm电缆 Cables

C 选型表 Selection table

型号规格 Model specification	额定电压(V) Rated voltage (V)	叶轮直径(mm) Impeller diameter(mm)	功率(kW) Power (kW)
CNFS-300	220、380	300	0.18
CNFS-400	220、380	400	0.37
CNFS-500	220、380	500	0.55
CNFS-600	220、380	600	0.75

C 外形安装尺寸举例 Examples of exterior installation dimensions

型号规格 Model specification	A(mm)	B(mm)	D(mm)	ΦE(mm)
CNFS-300	385	340	230	8.5
CNFS-400	480	390	251	8.5
CNFS-500	600	480	285	8.5
CNFS-600	700	580	285	8.5





CNJR-□-I
系列机柜防爆加热器

CNJR-□-I
Series Cabinet Explosion-proof
heater



G 产品概述 Product Overview

- ◆ CNJR 主要用于可能爆炸危险区域，被用于维持特定温度的板式设计加热器。这种加热器的使用可以在维持所需最低温度的同时，可靠有效地保证温度波动引起的操作安全。本加热器可靠地保证由于电气设备漏电事故造成的失误以及防止由于机械部件腐蚀引起的干扰的产生，应用场合包括开关柜、变送器保护箱、测量设备、样品分析柜等。
- ◆ CNJR It is mainly used in potentially Explosive hazardous areas and is a plate-designed heater for maintaining a specific temperature. The use of this heater can reliably and effectively ensure operational safety caused by temperature fluctuations while maintaining the required minimum temperature. This heater reliably prevents errors caused by electrical equipment leakage accidents and interference caused by mechanical component corrosion. Its application scenarios include switch cabinets, transmitter protection boxes, measuring equipment, sample analysis cabinets, etc.

G 产品结构 Product structure

- ◆ CNJR 是基于PTC(正温度系数)的加热设备，具有独特的铝制外壳，适合于对流环境下，不可以合盖使用。
- ◆ CNJR Is a heating device based on PTC(Positive Temperature Coefficient), featuring a unique aluminum casing that is suitable for convective environments. Do not use with the lid closed.

G 产品功能 Product function

- ◆ 正温度系数的设备随着温度的升高，电阻值也升高，高阻值可得到低功率输出。在很高的温度条件下，设备输出很小的功率，这就防止了极限温度的产生。此外，本加热设备还和使用的电压有关，CNJR 可以被应用于不同的电压等级。关于此加热器的特殊应用，还请联系我们。
- ◆ For devices with a positive temperature coefficient, as the temperature rises, the resistance value also increases. A high resistance value can result in a low power output. Under very high temperature conditions, the equipment outputs a very small power, which prevents the generation of extreme temperatures. In addition, this heating equipment is also related to the voltage used. CNJR can be applied to different voltage levels. For special applications of this heater, please contact us.

1区& 2区; 21区& 22区

zone1, zone2, zone21, zone22

CNJR-□-I 系列机柜防爆加热器
CNJR-□-I Series Cabinet Explosion-proof heater

G 型号含义 Model meaning

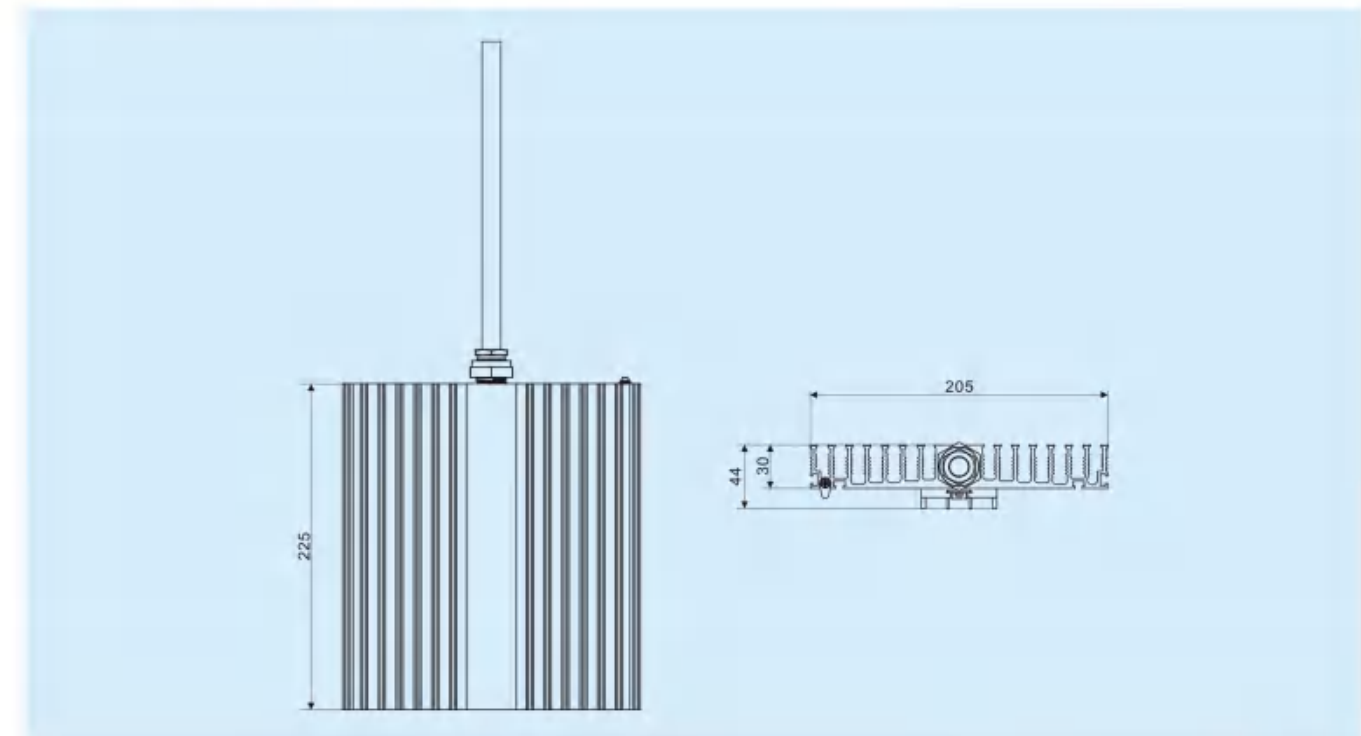
CNJR - □ - I	
□	□
□	□
□	□
□	□

- 机柜防爆加热器 Cabinet Explosion-proof heater
- 额定功率 Rated power
- 设计序号 Design sequence number

G 技术参数 Technical parameter

机柜防爆加热器 Cabinet Explosion-proof heater	CNJR-□-I
防爆型式 Explosion proof type 气体防爆型式 Gas explosion proof type 粉尘防爆型式 Dust explosion proof type	Ex II2G Ex db IIB T4/T6 Gb Ex db IIC T4/T6 Gb Ex II2D Ex tb IIIC T130°C/T80°C Db
执行标准 Executive standard	GB/T 3836.1-2021、GB/T 3836.2-2021、GB/T 3836.31-2021
产品材质 Product material	黑色氧化铝，防水 Black aluminium oxide, waterproof
防护等级 Protection grade	IP66
环境温度 Operating temperature	-40°C~+55°C
额定电压 Rated voltage	AC220V、DC24V
额定功率 Rated power	50W、100W、150W、200W、300W、400W

G 外形示意图 Schematic diagram of shape





CNJR-□-II
系列机柜防爆加热器

CNJR-□-II
Series Cabinet Explosion-proof
heater



G 产品概述 Product Overview

- ◆ CNJR 的微型加热器是应用于爆炸危险区域的防冻、防冷凝加热器，它们的使用最大限度保证了系统的安全运行，主要因为它能有效杜绝温度波动或确保维持所需的最低温度。它们可靠地保证不会出现由于电气元件漏电引起的故障或因机械安装部件腐蚀导致的其他干扰。应用场合包括开关控制柜、变送器保护箱、测量设备、样品分析柜等。
- ◆ CNJR Miniature heaters are anti-freezing and anti-condensation heaters applied in explosive hazardous areas. Their use maximizes the safe operation of the system, mainly because they can effectively eliminate temperature fluctuations or ensure the maintenance of the required minimum temperature. They reliably ensure that there will be no faults caused by electrical component leakage or other interferences caused by corrosion of mechanical installation parts. Application scenarios include switch control cabinets, transmitter protection boxes, measuring equipment, sample analysis cabinets, etc.

G 产品结构 Product structure

- ◆ CNJR 加热器设为固定阻值，通过独特的铝制外部结构，加热时会产生所谓的“烟囱”效应，从而可以在柜内部空间维持一个恒定温度，一旦过热，加热器会与主电源永久断开，这是因为加热器的电源耦合有一个热保护电阻丝。
- ◆ CNJR Heater is designed with a fixed resistance. Through its unique aluminum external structure, a so-called "chimney" effect is generated when heating, thereby maintaining a constant temperature in the internal space of the cabinet. Once overheated, the heater will be permanently disconnected from the main power supply, because the power supply of the heater is coupled with a thermal protection resistance wire.

1区& 2区; 21区& 22区

zone1, zone2, zone21, zone22

CNJR-□-II 系列机柜防爆加热器
CNJR-□-II Series Cabinet Explosion-proof heater

G 型号含义 Model meaning

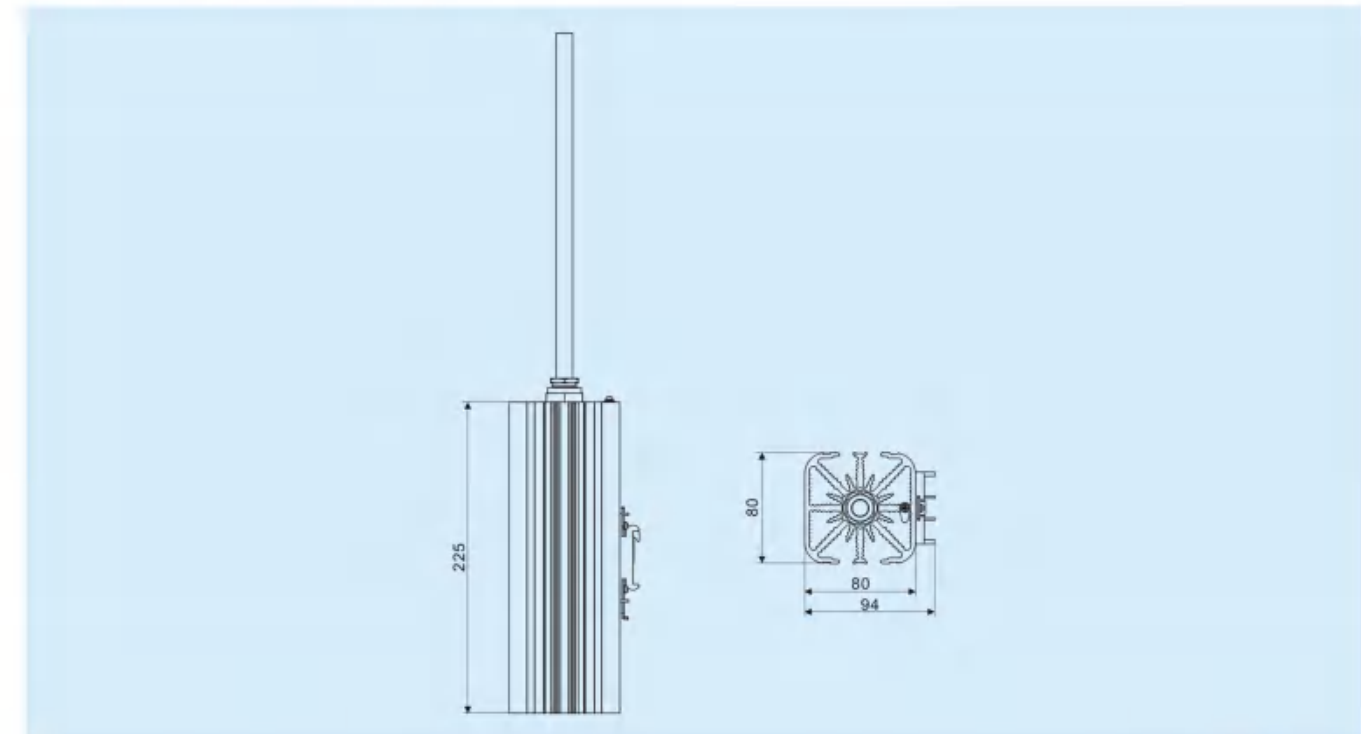
CNJR - □ - II	
□	□
□	□
□	□
□	□

- 机柜防爆加热器 Cabinet Explosion-proof heater
- 额定功率 Rated power
- 设计序号 Design sequence number

G 技术参数 Technical parameter

机柜防爆加热器 Cabinet Explosion-proof heater	CNJR-□-II
防爆型式 Explosion proof type 气体防爆型式 Gas explosion proof type 粉尘防爆型式 Dust explosion proof type	Ex II2G Ex db IIB T4/T6 Gb Ex db IIC T4/T6 Gb Ex II2D Ex tb IIIC T130°C/T80°C Db
执行标准 Executive standard	GB/T 3836.1-2021、GB/T 3836.2-2021、GB/T 3836.31-2021
产品材质 Product material	黑色氧化铝，防水 Black aluminium oxide, waterproof
防护等级 Protection grade	IP66
环境温度 Operating temperature	-40°C~+55°C
额定电压 Rated voltage	AC220V、DC24V
额定功率 Rated power	50W、100W、150W、200W、300W

G 外形示意图 Schematic diagram of shape





CN
系列仪表保温箱(不锈钢)

CN
Series of instrument insulation
boxes (Stainless steel)



G 产品适用场景 Product application scenarios

- ◆ 户外低温环境：防止仪表因结冰、低温导致精度下降(如北方油田、户外管道压力表)。
- ◆ 高温车间：避免仪表因高温老化、电路烧毁(如冶金厂、锅炉旁送器)。
- ◆ 腐蚀性环境：保护仪表免受酸碱气体、湿度侵蚀(如化工车间、电镀厂)。
- ◆ 爆炸性环境：防爆型保温箱适配加油站、化工储罐区等有防爆需求的场景。
- ◆ Outdoor low-temperature environments: Prevent instrument accuracy degradation of instruments due to icing and low temperatures (such as pressure gauges in northern oil fields and outdoor pipelines).
- ◆ High-temperature workshops: Avoid instrument aging and circuit burnout caused by high temperatures (such as transmitters in metallurgical plants and near boilers).
- ◆ Corrosive environments: Protect instruments from erosion by acid-base gases and humidity (such as chemical workshops and electroplating plants).
- ◆ Explosive environments: Explosion-proof insulation boxes are suitable for scenarios with explosion-proof requirements such as gas stations and chemical storage tank areas.

G 产品优势 Product advantages

- ◆ 1.适配性强：可根据仪表尺寸、工作温度、安装环境定制箱体规格与功能。
- ◆ 2.稳定性高：温控精度高，保温层密封效果好，确保仪表长期稳定运行。
- ◆ 3.安全性足：材质符合工业防护标准，防爆型通过 Ex 认证，满足特殊场景安全要求。
- ◆ 4.维护便捷：模块化设计，配件易更换，门体开启角度大，便于仪表检修。
- ◆ Strong adaptability: The box specifications and functions can be customized according to the instrument size, working temperature and installation environment.
- ◆ High stability: High temperature control accuracy and good sealing effect of the insulation layer ensure long-term stable operation of the instrument.
- ◆ Sufficient safety: The material meets industrial protection standards, and the explosion-proof type has passed Ex certification, meeting safety requirements in special scenarios.
- ◆ Convenient maintenance: Modular design, easy replacement of accessories, and large door opening angle facilitate instrument maintenance.

1区& 2区; 21区& 22区

zone1, zone2, zone21, zone22

CN 系列仪表保温箱(不锈钢)
CN Series of instrument insulation boxes(Stainless steel)

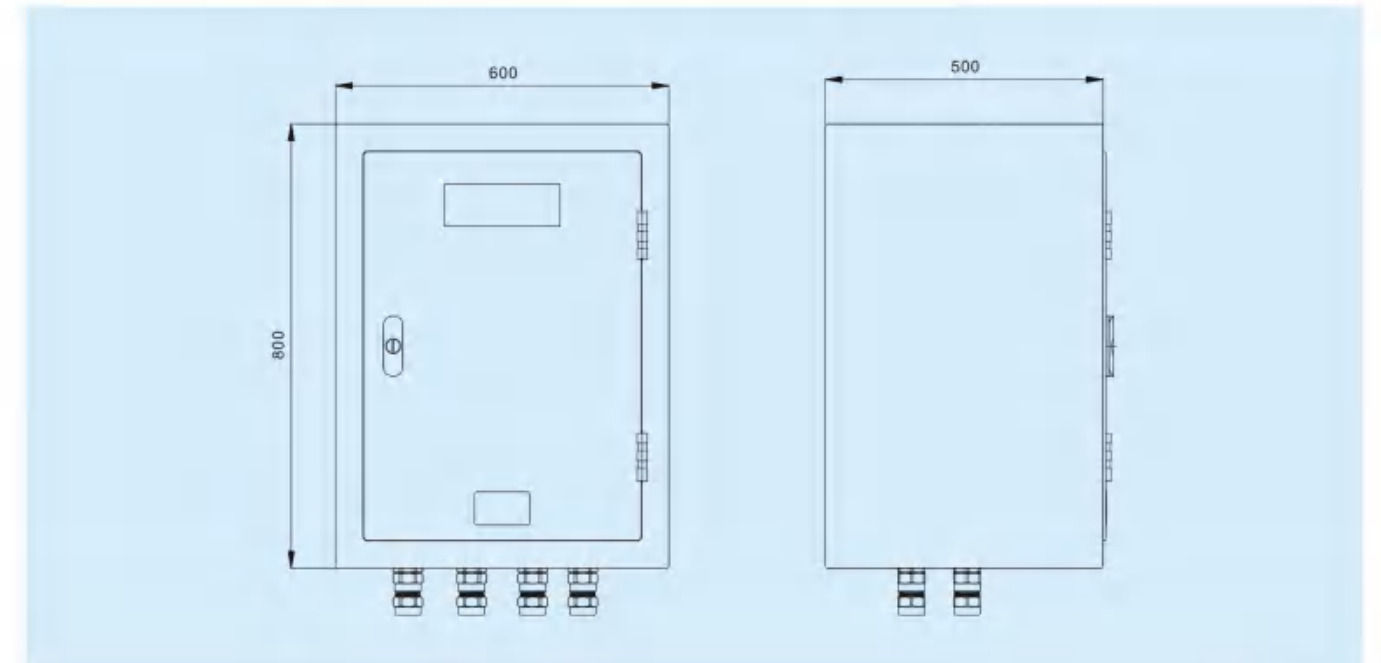
G 型号含义 Model meaning

	CN	□
	□	□
□	仪表保温箱(不锈钢) Instrument insulation box(Stainless steel)	
□	设计序号 Design sequence number	

G 技术参数 Technical parameter

仪表保温箱(不锈钢) Instrument insulation box(Stainless steel)	CN
防爆型式 Explosion proof type 气体防爆型式 Gas explosion proof type 粉尘防爆型式 Dust explosion proof type	Ex II2G Ex db IIC T6 Gb Ex ia IIC T6 Gb
产品材质 Product material	304 不锈钢 304 Stainless steel
保温层材质 Insulation layer material	聚氨酯发泡、岩棉 Polyurethane foam, rock wool
保温层厚度 Thickness of the insulation layer	20mm、30mm、40mm、50mm
温控类型 Temperature control type	加热型、制冷型、恒温型(加热+制冷) Heating type, cooling type, constant temperature type (Heating+cooling)
温控范围 Temperature control range	加热型: 5°C~25°C; 制冷型: 0°C~15°C; (可制定) Heating type: 5°C to 25°C Refrigeration type: 0°C to 15°C (Can be formulated)
防护等级 Protection grade	IP54、IP65、IP66
箱体尺寸(mm) Box size (mm)	300×200×200mm、400×300×300mm、500×400×400mm(可定制Can be formulated)

G 外形示意图 Schematic diagram of shape





CN
系列仪表保温箱(玻璃钢)

CN
Series of instrument insulation
boxes (Fiberglass reinforced
plastic)



G 产品适用场景 Product application scenarios

- ◆ 户外低温环境：防止仪表因结冰、低温导致精度下降(如北方油田、户外管道压力表)。
- ◆ 高温车间：避免仪表因高温老化、电路烧毁(如冶金厂、锅炉旁变送器)。
- ◆ 腐蚀性环境：保护仪表免受酸碱气体、湿度侵蚀(如化工车间、电镀厂)。
- ◆ 爆炸性环境：防爆型保温箱适配加油站、化工储罐区等有防爆需求的场景。
- ◆ Outdoor low-temperature environments: Prevent instrument accuracy degradation of instruments due to icing and low temperatures (such as pressure gauges in northern oil fields and outdoor pipelines).
- ◆ High-temperature workshops: Avoid instrument aging and circuit burnout caused by high temperatures (such as transmitters in metallurgical plants and near boilers).
- ◆ Corrosive environments: Protect instruments from erosion by acid-base gases and humidity (such as chemical workshops and electroplating plants).
- ◆ Explosive environments: Explosion-proof insulation boxes are suitable for scenarios with explosion-proof requirements such as gas stations and chemical storage tank areas.

G 产品优势 Product advantages

- ◆ 1.适配性强：可根据仪表尺寸、工作温度、安装环境定制箱体规格与功能。
- ◆ 2.稳定性高：温控精度高，保温层密封效果好，确保仪表长期稳定运行。
- ◆ 3.安全性足：材质符合工业防护标准，防爆型通过 Ex 认证，满足特殊场景安全要求。
- ◆ 4.维护便捷：模块化设计，配件易更换，门体开启角度大，便于仪表检修。
- ◆ Strong adaptability: The box specifications and functions can be customized according to the instrument size, working temperature and installation environment.
- ◆ High stability: High temperature control accuracy and good sealing effect of the insulation layer ensure long-term stable operation of the instrument.
- ◆ Sufficient safety: The material meets industrial protection standards, and the explosion-proof type has passed Ex certification, meeting safety requirements in special scenarios.
- ◆ Convenient maintenance: Modular design, easy replacement of accessories, and large door opening angle facilitate instrument maintenance.

1区& 2区; 21区& 22区

zone1, zone2, zone21, zone22

CN 系列仪表保温箱(玻璃钢)
CN Series of instrument insulation boxes(Fiberglass reinforced plastic)

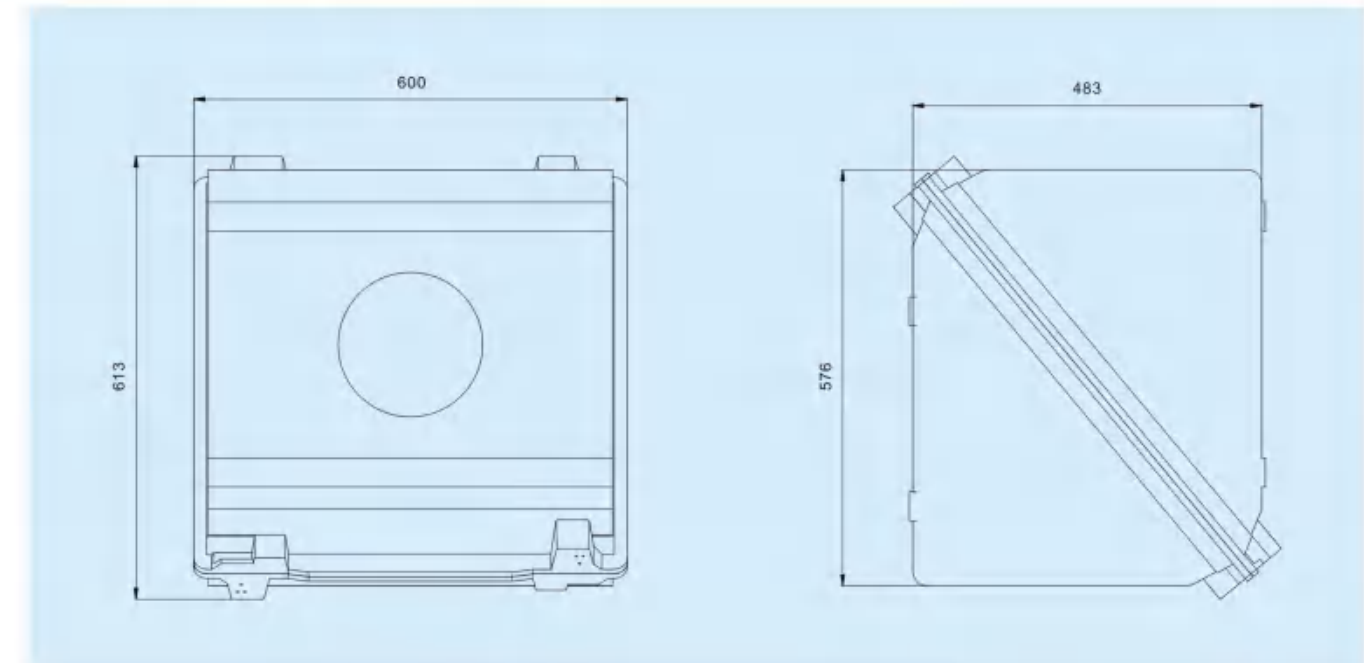
G 型号含义 Model meaning

	CN	□
	□	□
□	仪表保温箱(玻璃钢) Instrument insulation box(Fiberglass reinforced plastic)	
□	设计序号 Design sequence number	

G 技术参数 Technical parameter

仪表保温箱(玻璃钢) Instrument insulation box(Fiberglass reinforced plastic)	CN
防爆型式 Explosion proof type 气体防爆型式 Gas explosion proof type 粉尘防爆型式 Dust explosion proof type	Ex II2G Ex db IIC T6 Gb Ex ia IIC T6 Gb
产品材质 Product material	玻璃钢 Fiberglass reinforced plastic
保温层材质 Insulation layer material	聚氨酯发泡、岩棉 Polyurethane foam, rock wool
保温层厚度 Thickness of the insulation layer	20mm、30mm、40mm、50mm
温控类型 Temperature control type	加热型、制冷型、恒温型(加热+制冷) Heating type, cooling type, constant temperature type (Heating+cooling)
温控范围 Temperature control range	加热型: 5°C~25°C; 制冷型: 0°C~15°C; (可制定)Heating type: 5°C to 25°C Refrigeration type: 0°C to 15°C (Can be formulated)
防护等级 Protection grade	IP54、IP65、IP66
箱体尺寸(mm) Box size (mm)	300×200×200mm、400×300×300mm、500×400×400mm(可定制Can be formulated)

G 外形示意图 Schematic diagram of shape





防爆计算机组件

Explosion-proof computer module

IIB/Ex tb



C 技术参数 Technical parameter

CN8080 防爆计算机碳钢(不锈钢)
CN8080 Explosion-proof computer carbon steel (stainless steel)

Ex II2G Ex db IIB T6 Gb Ex db IIB T6 Gb
Ex II2D Ex tb IIIC T80°C Db Ex tb IIIC T80°C Db
IP65、IP66
WF1、WF2
AC215V-AC250V
14"、17"、19"
落地式(台式)
Floor type(Desktop)

CN8081 防爆键盘
CN8081 Explosion-proof Keyboard

Ex ib IIC T6 Gb
IP65、IP66
WF1、WF2

CN8082 防爆鼠标
CN8082 Explosion-proof Mouse

-40℃--+50℃
Ex ib IIC T6 Gb
IP65、IP66
WF1、WF2

交换机
Exchanger

TMP 电压: AC220V 串口: 8位、16位、36位、48位
TMP voltage: AC220V serial port: 8 bits, 16 bits, 36 bits, 48 bits

配防爆箱使用
Equipped with explosion-proof box

光纤转换器
Fiber optic converter

TLP-A TLP-B 电压: AC220V 网口信号转光纤通讯
TLP-A TLP-B voltage: AC220V network port signal to optical fiber communication

配防爆箱使用
Equipped with explosion-proof box

信号集成器
Signal integrator

TCP-1 TCP-2 电压: AC220V 接收仪表信号数量: 36点/72点
TCP-1 TCP-2 Voltage: AC220V number of received instrument signals: 36 points/72 points

配防爆箱使用
Equipped with explosion-proof box

1区& 2区; 21区& 22区

zone1, zone2, zone21, zone22



G 界面 Main interface



G 主界面 Main interface

电伴热控制系统
Electric heat tracing control system

CNPCEx 中油防爆

1#电伴热控制 1. Electric tracing control	2#电伴热控制 2. Electric tracing control	3#电伴热控制 3. Electric tracing control	4#电伴热控制 4. Electric tracing control	5#电伴热控制 5. Electric tracing control	6#电伴热控制 6. Electric tracing control
温度设定 Temperature setting 40°C	温度设定 Temperature setting 40°C	温度设定 Temperature setting 40°C	温度设定 Temperature setting 40°C	温度设定 Temperature setting 40°C	温度设定 Temperature setting 40°C
实测温度 Measured temperature 25°C	实测温度 Measured temperature 25°C	实测温度 Measured temperature 25°C	实测温度 Measured temperature 25°C	实测温度 Measured temperature 25°C	实测温度 Measured temperature 25°C
温度加热 Temperature heating ●	温度加热 Temperature heating ●	温度加热 Temperature heating ●	温度加热 Temperature heating ●	温度加热 Temperature heating ●	温度加热 Temperature heating ●
停止加热 Stop heating ●	停止加热 Stop heating ●	停止加热 Stop heating ●	停止加热 Stop heating ●	停止加热 Stop heating ●	停止加热 Stop heating ●

参数设置 Parameter setting 参数返回主界面 Please return to the main interface 第一页 下一页 共10页 Page 1 next page of 10

G 参数设置 Parameter setting

电伴热控制系统
Electric heat tracing control system

CNPCEx 中油防爆

回路 Loop	设定温度 Setting temperature	实测温度 Measured temperature	温度差值 Temperature difference	高温设置 High temperature setting	低温设置 Low temperature setting
1#电伴热 1. Electric tracing	40°C	25°C	5°C	60°C	10°C
2#电伴热 2. Electric tracing	40°C	25°C	5°C	60°C	10°C
3#电伴热 3. Electric tracing	40°C	25°C	5°C	60°C	10°C
4#电伴热 4. Electric tracing	40°C	25°C	5°C	60°C	10°C
5#电伴热 5. Electric tracing	40°C	25°C	5°C	60°C	10°C
6#电伴热 6. Electric tracing	40°C	25°C	5°C	60°C	10°C
7#电伴热 7. Electric tracing	40°C	25°C	5°C	60°C	10°C
8#电伴热 8. Electric tracing	40°C	25°C	5°C	60°C	10°C
9#电伴热 9. Electric tracing	40°C	25°C	5°C	60°C	10°C
10#电伴热 10. Electric tracing	40°C	25°C	5°C	60°C	10°C
11#电伴热 11. Electric tracing	40°C	25°C	5°C	60°C	10°C

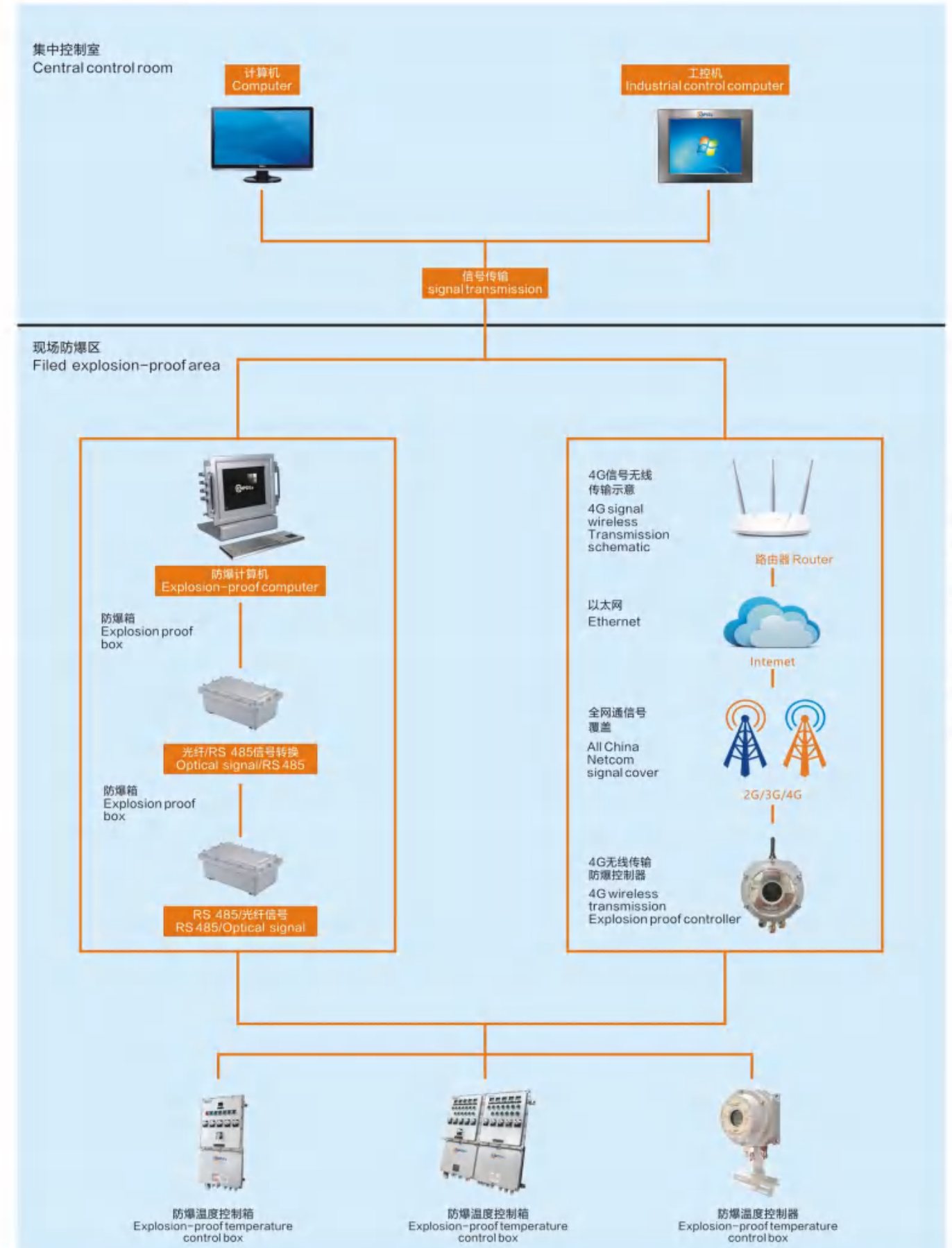
参数设置 Parameter setting 参数返回主界面 Please return to the main interface 第一页 下一页 共10页 Page 1 next page of 10

说明：远程控制，具有启动、停止、高低温报警、运行信号反馈、监控仪表参数等。

Description: Remote control, with start, stop, high and low temperature alarm, operation signal feedback and monitor instrument parameters etc.



G 控制组件 Control component



CNPCEx 中油防爆

CNPCEx 中油防爆



CN800-4G 无线防爆控制器

CN800-4G
Wireless Explosion proof
controller

IIB/IIC/Ex tb (户外/户内)
IIB / IIC / Ex tb (outdoor / indoor)



C 产品概述 Product overview

- ◆ CN800-4G无线防爆控制器主要是把RS485信号转换成4G信号传输至控制室，适用于油田开采、长距离化工管道的温度信号传输。
- ◆ 适用于爆炸性气体环境1区、2区场所；
- ◆ 适用于可燃性粉尘环境21区、22区场所；
- ◆ 适用于IIA、IIB、IIC类爆炸性气体环境；
- ◆ 适用于T1~T6组温度级别。
- ◆ CN800-4G Wireless Explosion-proof controller mainly converts RS485 signal into 4G signal and transmits it to the control room, it is suitable for oil field exploitation and temperature signal transmission of long distance chemical pipeline.
- ◆ It is applicable to zone 1 and zone 2 of explosive gas environment;
- ◆ It is suitable for 21 and 22 areas of combustible dust environment;
- ◆ Suitable for IIA, IIB, IIC Explosive gas environment;
- ◆ Applicable to temperature levels of T1~T6 group.

C 功能 Function

- ◆ 具有RS232/485接口，可以将RS232/485采集的数据通过3G/4G发送到云端服务器，结合P2P技术用户甚至无需构建服务器也可同样随时随地采集设备的数据，采集方式也可用虚拟串口。该功能最强大的部分适用于电信、移动、联通卡的P2P Modbus网关，非常适合于现场数据采集。
- ◆ 3G网速：上行：5.76Mbps 下行：7.2Mbps。
- ◆ 4G网速：上行：2Mbps 下行：68Mbps。
- ◆ 7模全网通3G/4G DTU，通过3G/4G网络实现对串口设备远程数据采集和监控。
- ◆ 自定义包：支持TCP/UDP链路发送自定义包自定义注册包；支持TCP/UDP链路发送自定义注册包连接上发MAC地址；监控端可识别哪台设备发上来的数据支持远程配置参数；远程修改设备名称、IP、串口参数断网自动重连；自动重新建立连接，保证数据可靠性多种通讯模式：TCP Server/TCP Client/UDP模式/UDP组播

1区& 2区; 21区& 22区

zone1, zone2, zone21, zone22



CN800-4G无线防爆控制器 CN800-4G Wireless Explosion proof controller

- ◆ With RS232/485 interface, the data collected by RS232/485 can be sent to the cloud server through 3G/4G. combined with P2P technology, users can also collect the data of the device anytime and anywhere without even building a server. Virtual serial port can also be used as the collection method. The most powerful part of this function is suitable for P2P Modbus Gateway of Telecom, Mobile and Unicom cards, which is very suitable for field data acquisition.
- ◆ 3G Speed: Uplink: 5.76Mbps Downlink: 7.2Mbps.
- ◆ 4G Speed: Uplink: 2Mbps Downside: 68 Mbps.
- ◆ The 7-mode all-network 3G/4G DTU realizes remote data acquisition and monitoring of serial port devices through 3G/4G network.
- ◆ Custom packets: support TCP/UDP link to send custom packets custom registration package; support TCP/UDP link to send custom registration package connected MAC address: The monitoring terminal can identify which device sends the data It supports remote configuration parameters: modify device name, IP and serial port parameters remotely Automatic reconnection: automatically re-establish the connection to ensure data reliability Multiple communication modes: TCP Server/TCP Client/UDP mode /UDP multicast.

C 型号释义 Model definition

CN800	4G/RS485
防爆控制器 Explosion proof controller	4G无线通讯传输 4G Wireless communication transmission

C 技术参数 Technical parameter

无线防爆控制器 Wireless explosion-proof controller	CN800-4G						
材质 Texture of material	铝合金/不锈钢 Aluminum alloy/Stainless steel						
防爆等级 Ex-mark	<table border="0"> <tr> <td>Ex db IIB T6 Gb</td> <td>Ex db IIB T6 Gb</td> </tr> <tr> <td>Ex db IIC T6 Gb</td> <td>Ex db IIC T6 Gb</td> </tr> <tr> <td>Ex tb IIC T80°C Db</td> <td>Ex tb IIC T80°C Db</td> </tr> </table>	Ex db IIB T6 Gb	Ex db IIB T6 Gb	Ex db IIC T6 Gb	Ex db IIC T6 Gb	Ex tb IIC T80°C Db	Ex tb IIC T80°C Db
Ex db IIB T6 Gb	Ex db IIB T6 Gb						
Ex db IIC T6 Gb	Ex db IIC T6 Gb						
Ex tb IIC T80°C Db	Ex tb IIC T80°C Db						
额定电压 Rated voltage	AC220V						
输出信号 Output signal	4G全网信号(移动,联通,电信) 4G Whole network signal (China mobile, China unicom, China telecom)						
输入信号 Input signal	RS485通讯 RS485 Communication						
防护等级 Degree of protection	IP65、IP66						
防腐等级 Anticorrosion grade	WF2						
安装方式 Installation method	管道式 Pipeline type						
引入装置 Lead in device	G3/4"配CN970或CN960 G3 / 4 "With CN970 or CN960						



C 订货须知 Ordering instructions

- ◆ 根据现场实际情况选择通讯网络，若需其它功能另行设计。
- ◆ Select the communication network according to the actual situation on site, and design other functions if necessary.



CN800-LORA
扩频无线防爆控制器
CN800-LORA
Spread spectrum wireless
Explosion proof controller

IIB/IIC/Ex tb (户外/户内)
IIB / IIC / Ex tb (outdoor / indoor)



C 产品概述 Product overview

- ◆ CN800-LORA无线防爆控制器主要是把RS485信号转换成LORA扩频无线信号传输至控制室，适用于长距离化工管道的温度信号传输。
- ◆ 适用于爆炸性气体环境1区、2区场所；
- ◆ 适用于可燃性粉尘环境21区、22区场所；
- ◆ 适用于IIA、IIB、IIC类爆炸性气体环境；
- ◆ 适用于T1~T6组温度级别。
- ◆ CN800-LORA Wireless Explosion-proof controller mainly converts RS485 signal into LORA spread spectrum wireless signal It is suitable for temperature signal transmission of long distance chemical pipeline.
- ◆ It is applicable to zone 1 and zone 2 of explosive gas environment;
- ◆ It is suitable for 21 and 22 areas of combustible dust environment;
- ◆ Suitable for IIA, IIB, IIC Explosive gas environment;
- ◆ Applicable to temperature levels of T1~T6 group.

C 功能 Function

- ◆ 具有超远距离传输可达10公里，抗干扰能力强。点对点传输，无需任何数据传输协议。扩频通信，接收灵敏度可达到124dBm。扩展无需布线，低功耗，低成本，实现数据传输。
- ◆ 工业级GPRS DTU透传模块，频率410~500MHz，发射功率18~33dBm，传输距离10公里(2W)可定制20公里、50公里。工作温度-30℃~+80℃(无凝露)。
- ◆ With ultra long distance transmission up to 10 kilometers, strong anti-interference ability. Point-to-point transmission without any data transfer protocol. Spread spectrum communication, receiving sensitivity can reach 124dBm. Expansion without wiring, low power consumption, low cost, realizing data transmission.
- ◆ Industrial grade GPRS DTU transmission module, frequency 410~500MHz, transmission power 18~33dBm. Transmission distance 10km (2W), 20km and 50km can be customized. Operating temperature -30℃~+80℃ (no condensation).

1区& 2区; 21区& 22区

zone1, zone2, zone21, zone22



CN800-LORA扩频无线防爆控制器
CN800-LORA Spread spectrum wireless Explosion proof controller

C 型号释义 Model definition

CN800	LORA/RS485
防爆控制器 Explosion proof controller	LORA扩频无线通讯传输 LORA Spread spectrum wireless communication transmission

C 技术参数 Technical parameter

扩频无线防爆控制器 Spread spectrum wireless explosion-proof controller	CN800-LORA	
材质 Texture of material	铝合金/不锈钢 Aluminum alloy/Stainless steel	
防爆等级 Ex-mark	Ⓜ II2G Ex db IIB T6 Gb Ⓜ II2G Ex db IIC T6 Gb Ⓜ II2D Ex tb IIIC T80°C Db	Ex db IIB T6 Gb Ex db IIC T6 Gb Ex tb IIIC T80°C Db
额定电压 Rated voltage	AC220V	
输出信号 Output signal	LORA扩频无线通讯传输 LORA Spread spectrum wireless communication transmission	
输入信号 Input signal	RS485通讯 RS485 Communication	
防护等级 Degree of protection	IP65、IP66	
防腐等级 Anticorrosion grade	WF2	
安装方式 Installation method	管道式 Pipeline type	
引入装置 Lead in device	G3/4"配CN970或CN960 G3 / 4 "With CN970 or CN960	

LORA扩频 LORA spread spectrum

强力抗干扰，采用先进的LORA扩频技术，更远传输距离、保障通信稳定

Strong anti-jamming, advanced LORA spread spectrum technology and longer transmission distance, which ensures the stability of communication



可选择不同的发射功率 Different transmitting power can be selected

直线无障碍物 Straight line without barrier	发射功率: 2W 传输距离: 10KM Transmitting power :2W Transmission distance:10KM	发射功率: 5W 传输距离: 20KM Transmitting power :5W Transmission distance:20KM	发射功率: 10W 传输距离: 50KM Transmitting power :10W Transmission distance:50KM
---	--	--	--



IIB/IIC/Ex tb (户外/户内)
控制负载: 自控温式电伴热带
IIB / IIC / Ex tb (Outdoor / Indoor)
Control load: self controlled temperature electric tracing belt

C 型号含义 Model meaning

CN800 - □□□□□□□□□□
□ □ □ □ □ □ □ □ □ □

- ① 智能防爆温度控制配电箱
Intelligent explosion proof temperature control distribution box
- ② 控制类型: Z: 手自动控制
Control type: Z: Manual automatic control
ZT: 只显示不控制
ZT: Display only without control
- ③ 总开关: K: 32A~250A
Main switch: K: 32A ~ 250A
- ④ 分开关: F: 10A~125A
Sub switch: F: 10A ~ 125A
- ⑤ 进线方向: XX: 下进下出
Incoming direction: XX: Down in and down out
XD: 下进上出
XD: Bottom in top out
- ⑥ 防护装置: F: 防雨罩; F1: 防护箱
Protective device: F: rain cover; F1: protection box
- ⑦ 安装方式: G: 挂式; L: 立式
Installation mode: G: hanging type; L: vertical
- ⑧ 输入类型: P: PT100; KJ
Input type: P: PT100; KJ
- ⑨ 输出类型: A: RS485; B: 4~20mA
Output type: A: RS485; B: 4~20mA
- ⑩ 报警方式: SD/OF/X/D/T
Alarm mode: SD / OF / X / D / T
- ⑪ 信号反馈: D: DCS
Signal feedback: D: DCS

C 产品概述 Product overview

- ◆ CN800-Z系列主要是控制防爆自控温式电伴热带, 适用多路防冻管道工艺要求。
- ◆ 功能有: 漏电、短路、缺相、断线、上下限报警、远程通讯、电压电流显示、电流变送输出等, DCS信号可上传至控制室进行远程控制;
- ◆ 控制方式分为两种功能: Z: 一控多路带温度控制, 手自动控制;
ZT: 只显示温度不控制。
- ◆ 应用于化工原料管道、化工原料储罐罐体、采油井口装置、仪器仪表等温度伴热。
- ◆ 适用于爆炸性气体环境1区、2区场所;
- ◆ 适用于可燃性粉尘环境21区、22区场所;
- ◆ 适用于IIA、IIB、IIC类爆炸性气体环境;
- ◆ 适用于T1~T6组温度级别。
- ◆ CN800-Z Series is mainly used to control the explosion-proof automatic temperature control electric tracing belt, which is suitable for the process requirements of multiple-channel antifreezing pipelines.
- ◆ Functions: electric leakage, short circuit, phase loss, wire disconnection, upper and lower limit alarm, remote communication, voltage and current display, current transmitting output, DCS signal can be uploaded to the control room for remote control;
- ◆ Control mode is classified into two functions:
Z: multi-channel temperature control, automatic hand control;
ZT: temperature display only without control.
- ◆ It is used in chemical raw material pipeline, chemical raw material storage tank, oil production wellhead device, instrument and other temperature heat tracing.
- ◆ It is suitable for zone 1 and zone 2 of explosive gas environment;
- ◆ It is suitable for 21 and 22 areas of combustible dust environment;
- ◆ Suitable for IIA, IIB, IIC explosive gas environment;
- ◆ Applicable to temperature levels of T1~T6 group.

1区& 2区; 21区& 22区

zone1, zone2, zone21, zone22

C 技术参数 Technical parameter

CN800-Z(自控温)智能防爆温度控制配电箱

CN800-Z(Self controlled temperature)Intelligent explosion-proof temperature control distribution box

执行标准 Executive standard	GB3836.1, GB3836.2, GB3836.3, GB12476.1, GB12476.5, IEC60079-0, IEC60079-1, IED60079-7, IEC61241-0, IEC61241-1, EN60079-1, EN60079-7, EN61241-0, EN61241-1		
防爆标志 Ex-mark	⑤ IIC2G Ex db eb IIB T4/T6 Gb ⑥ IIC2G Ex db eb IIC T4/T6 Gb ⑦ IIC2D Ex tb IIIC T130°C/T80°C Db	⑥ IIC2G Ex db eb IIB T4/T6 Gb ⑦ IIC2G Ex db eb IIC T4/T6 Gb Ex db eb IIC T4/T6 Gb	Ex db eb IIB T4/T6 Gb Ex db IIB T4/T6 Gb Ex db IIC T4/T6 Gb
额定电压 Rated voltage	AC36V/AC220V/AC380V		
主回路电流 Main circuit current	≤125A	160≤I≤225A	250≤I≤630A
支路电流 Branch current	10A, 16A, 20A, 25A, 32A, 40A, 50A, 60A, 80A, 100A, 125A(带漏电30mA, 300mA) (With leakage of 30mA, 300mA)		
防护等级 Degree of protection	IP65、IP66		
防腐等级 Anticorrosion grade	WF1、WF2		
电器配置 Electrical configuration	施耐德全系列产品或国产一线产品 Schneider full range products or domestic first-line products		
仪表配置 Instrument configuration	CN-TL系列或欧姆龙系列产品 CN-TL Series or omron series products		
输入类型 Input type	热电阻PT100, 热电偶K型、J型、T型等 Thermal resistance PT100, thermocouple K type, J type, T type, etc		
输出类型 Type of output	RS485通讯, 4~20mA电流变送 RS485 Communication, 4~20mA current transmitting		
报警类型 Alarm type	传感器断线报警、漏电报警、开关量报警、上下限报警、故障报警 Sensor disconnection alarm, leakage alarm, switch alarm, upper and lower limit alarm, fault alarm		
反馈信号 Feedback signal	漏电、开关量、停止、运行、高低温 Leakage, switching value, stop operation, high and low temperature		
控制方式 Control mode	一控多路 One control multi-way		
引入装置 Lead in device	引入装置规格为G1/2"~G4", 其它规格可定做 The specification of lead-in device is G1/2"~G4", other specifications can be customized		

C 选配表 Selection table

型号规格 Model and specification	支路数 Number of branches	主回路额定电流(A) Rated current of main circuit (A)	支路额定电流(A) Rated current of branch (A)	主回路进线口电缆外径(mm) Outer diameter of main circuit inlet cable (mm)	分回路出线口电缆外径(mm) Outer diameter of branch circuit outlet cable (mm)	传感器出线口电缆外径(mm) Outer diameter of sensor outlet cable (mm)
CN800-□K40F32	3	40	32	G1 1/4"15~23	G3/4"10~14	G1/2"8~10
CN800-□K63F32	6	63	32	G1 1/4"15~23	G3/4"10~14	G1/2"8~10
CN800-□K125F32	7	125	32	G1 1/2"18~33	G3/4"10~14	G1/2"8~10
CN800-□K125F32	8	125	32	G1 1/2"18~33	G3/4"10~14	G1/2"8~10
CN800-□K125F32	9	125	32	G1 1/2"18~33	G3/4"10~14	G1/2"8~10
CN800-□K160F32	10	160	32	G2"26~43	G3/4"10~14	G1/2"8~10
CN800-□K160F32	11	160	32	G2"26~43	G3/4"10~14	G1/2"8~10
CN800-□K160F32	12	160	32	G2"26~43	G3/4"10~14	G1/2"8~10

注: 以上为常规配置。Note: the above configuration is conventional.

C 订货须知 Ordering instructions

- ◆ 客户在订货时, 可根据管道工艺要求设计防爆箱的回路数量及电流, 若需要电压电流多功能仪表或其它功能请另行注明;
- ◆ 带温度控制的则要注明输入类型(常规为PT100), 输出类型有4~20mA电流变送输出及RS485通讯, 不带不注。
- ◆ 订货时铝合金为常用材质, 若需要其它材质请注明。
- ◆ When ordering, customers can design the number and current of the circuit of the explosion-proof box according to the requirements of the pipeline process. If you need voltage and current multifunctional instrument or other functions, please specify separately;
- ◆ The input type (conventional PT100) should be indicated if it's with temperature control, the output type include 4~20mA current transmitting output and RS485 communication, and it's not indicated if there's no such function.
- ◆ Aluminum alloy is commonly used material when ordering, please indicate if you need other materials.



IIB/IIC/Ex tb (户外/户内)
控制负载: 恒功率式电伴热带
IIB / IIC / Ex tb (Outdoor / Indoor)
Control load: constant power electric tracing belt

C 型号含义 Model meaning

CN800- □□□□□□□□□□
□ □ □ □ □ □ □ □ □ □ □ □ □ □ □ □

- ① 智能防爆温度控制配电箱
Intelligent explosion proof temperature control distribution box
- ② 控制类型: S: 两路测温
Control type: S: Two way temperature measurement
- ③ 总开关: K: 32A~630A
Main switch: K: 32A - 630A
- ④ 分开关: F: 10A~125A
Sub switch: F: 10A - 125A
- ⑤ 进线方向: XX: 下进下出
Incoming direction: XX: Down in and down out
XD: 下进上出
XD: Bottom in top out
- ⑥ 防护装置: F: 防雨罩; F1: 防护箱
Protective device: F: rain cover; F1: protection box
- ⑦ 安装方式: G: 挂式; L: 立式
Installation mode: G: hanging type; L: vertical
- ⑧ 输入类型: P: PT100; KJ
Input type: P: PT100; KJ
- ⑨ 输出类型: A: RS485; B: 4~20mA
Output type: A: RS485; B: 4~20mA
- ⑩ 报警方式: SD/OF/X/D/T
Alarm mode: SD / OF / X / D / T
- ⑪ 信号反馈: D: DCS
Signal feedback: D: DCS

C 产品概述 Product overview

- ◆ CN800-S系列主要是控制防爆恒功率式电伴热带, 可同时测伴热管道温度和伴热带的温度。
- ◆ 功能有: 漏电、短路、缺相、限流、断线、上下限报警、远程通讯、电压电流显示、电流变送输出等, DCS信号可上传至控制室进行远程控制, 现场有手动和自动两种控制方式, 手动控制可带有超温保护;
- ◆ 控制方式: S: 两路测温同时测伴热管道和伴热带表面温度;
- ◆ 应用于化工原料管道、化工原料储罐罐体、采油井口装置、仪器仪表伴热等;
- ◆ 适用于爆炸性气体环境1区、2区场所;
- ◆ 适用于可燃性粉尘环境21区、22区场所;
- ◆ 适用于IIA、IIB、IIC类爆炸性气体环境;
- ◆ 适用于T1~T6组温度级别。
- ◆ CN800-S Series is mainly used to control the explosion-proof constant power electric tracing belt, which can simultaneously measure the temperature of heat tracing pipe and the temperature of tracing belt.
- ◆ Functions: electric leakage, short circuit, phase loss, current limit, wire disconnection, upper and lower limit alarm, remote communication, current transmitting output, DCS signal can be uploaded to the control room for remote control, there are onsite manual and automatic two control modes. Manual control can be with over temperature protection, voltage and current display;
- ◆ Control mode: S: two-way temperature measurement at the same time to measure the surface temperature of heat tracing pipe and tracing belt;
- ◆ It is used in chemical raw material pipeline, chemical raw material storage tank, oil well head equipment, instrument heat tracing, etc;
- ◆ It is applicable to zone 1 and zone 2 of explosive gas environment;
- ◆ It is suitable for 21 and 22 areas of combustible dust environment;
- ◆ Suitable for IIA, IIB, IIC explosive gas environment;
- ◆ Applicable to temperature levels of T1~T6 group.

1区& 2区; 21区& 22区

zone1, zone2, zone21, zone22



C 技术参数 Technical parameter

CN800-S(两路测温)智能防爆温度控制配电箱

CN800-S(Two way temperature measurement)Intelligent explosion-proof temperature control distribution box

执行标准 Executive standard	GB3836.1、GB3836.2、GB3836.3、GB12476.1、GB12476.5、IEC60079-0、IEC60079-1、IED60079-7、IEC61241-0、IEC61241-1、EN60079-1、EN60079-7、EN61241-0、EN61241-1		
防爆标志 Ex-mark	② IIBG Ex db eb IIB T4/T6 Gb	③ IIBG Ex db eb IIB T4/T6 Gb Ex db eb IIB T4/T6 Gb	④ IIBG Ex db eb IIB T4/T6 Gb Ex db IIB T4/T6 Gb
	⑤ IIBG Ex db eb IIC T4/T6 Gb	⑥ IIBG Ex db IIC T4/T6 Gb Ex db eb IIC T4/T6 Gb	⑦ IIBG Ex db IIC T4/T6 Gb Ex db IIC T4/T6 Gb
	⑧ IIBD Ex tb IIC T130°C/T80°C Db Ex tb IIC T130°C/T80°C Db		
额定电压 Rated voltage	AC36V/AC220V/AC380V		
主回路电流 Main circuit current	≤125A	160≤I≤225A	250≤I≤630A
支路电流 Branch current	10A、16A、20A、25A、32A、40A、50A、60A、80A、100A、125A(带漏电流30mA、300mA) (With leakage of 30mA, 300mA)		
防护等级 Degree of protection	IP65、IP66		
防腐等级 Anticorrosion grade	WF1、WF2		
电器配置 Electrical configuration	施耐德全系列产品或国产一线产品 Schneider full range products or domestic first-line products		
仪表配置 Instrument configuration	CN-TL系列或欧姆龙系列产品 CN-TL Series or omron series products		
输入类型 Input type	热电阻PT100, 热电偶K型、J型、T型等 Thermal resistance PT100, thermocouple K type, J type, T type, etc		
输出类型 Type of output	RS485通讯、4~20mA电流变送 RS485 Communication, 4~20mA current transmitting		
报警类型 Alarm type	传感器断线报警、漏电报警、开关量报警、上下限报警、故障报警 Sensor disconnection alarm, leakage alarm, switch alarm, upper and lower limit alarm, fault alarm		
反馈信号 Feedback signal	漏电、开关量、停止、运行、高低温 Leakage, switching value, stop operation, high and low temperature		
控制方式 Control mode	一控一路, 两路测温控制 One control one way and two way temperature measurement control		
引入装置 Lead in device	引入装置规格为G1/2"~G4", 其它规格可定做 The specification of lead-in device is G1/2"~G4", other specifications can be customized		

C 选配表 Selection table

型号规格 Model and specification	支路数 Number of branches	主回路额定电流(A) Rated current of main circuit (A)	支路额定电流(A) Rated current of branch (A)	主回路进线口电缆外径(mm) Outer diameter of main circuit inlet cable (mm)	分回路出线口电缆外径(mm) Outer diameter of branch circuit outlet cable (mm)	传感器出线口电缆外径(mm) Outer diameter of sensor outlet cable (mm)
CN800-□K40F32	3	40	32	G1 1/4"15~23	G3/4"10~14	G1/2"8~10
CN800-□K63F32	6	63	32	G1 1/4"15~23	G3/4"10~14	G1/2"8~10
CN800-□K125F32	7	125	32	G1 1/2"18~33	G3/4"10~14	G1/2"8~10
CN800-□K125F32	8	125	32	G1 1/2"18~33	G3/4"10~14	G1/2"8~10
CN800-□K125F32	9	125	32	G1 1/2"18~33	G3/4"10~14	G1/2"8~10
CN800-□K160F32	10	160	32	G2"26~43	G3/4"10~14	G1/2"8~10
CN800-□K160F32	11	160	32	G2"26~43	G3/4"10~14	G1/2"8~10
CN800-□K160F32	12	160	32	G2"26~43	G3/4"10~14	G1/2"8~10

注: 以上为常规配置。Note: the above configuration is conventional.

C 订货须知 Ordering instructions

- ◆ 客户在定货时, 可根据管道工艺要求设计防爆箱的回路数量及电流, 若需要电压电流多功能仪表或其它功能请另行注明;
- ◆ 带温度控制的则要注明输入类型(常规为PT100), 输出类型有4~20mA电流变送输出及RS485通讯, 不带不注。
- ◆ 定货时铝合金为常用材质, 若需要其它材质请注明。
- ◆ When ordering, customers can design the number and current of the circuit of the explosion-proof box according to the requirements of the pipeline process. If you need voltage and current multifunctional instrument or other functions, please specify separately;
- ◆ The input type (conventional PT100) should be indicated if it's with temperature control, the output type include 4~20mA current transmitting output and RS485 communication, and it's not indicated if there's no such function.
- ◆ Aluminum alloy is commonly used material when ordering, please indicate if you need other materials.



IIB/IIC/Ex tb (户外/户内)

控制负载: 恒功率式电伴热带

IIB / IIC / Ex tb (Outdoor / Indoor)

Control load: constant power electric tracing belt

红外遥控器
Infrared remote controller

仪表参数可通过遥控器进行设置参数, 方便快捷。

The instrument parameters can be set by remote control, which is convenient and fast.

1区& 2区; 21区& 22区

zone1, zone2, zone21, zone22

C 型号含义 Model meaning

CN800-□□□□□□□□□□
□ □ □ □ □ □ □ □ □ □

- 智能防爆温度控制配电箱
Intelligent explosion proof temperature control distribution box
- 控制类型: Q: 综合保护
Control type: Q: Comprehensive protection
- 总开关: K: 32A~630A
Main switch: K: 32A~630A
- 分开关: F: 10A~125A
Sub switch: F: 10A~125A
- 进线方向: XX: 下进下出
Incoming direction: XX: Down in and down out
XD: 下进上出
XD: Bottom in top out
- 防护装置: F: 防雨罩; F1: 防护箱
Protective device: F: rain cover; F1: protection box
- 安装方式: G: 挂式; L: 立式
Installation mode: G: hanging type; L: vertical
- 输入类型: P: PT100; KJ
input type: P: PT100; KJ
- 输出类型: A: RS485; B: 4~20mA
Output type: A: RS485; B: 4~20mA
- 报警方式: SD/OF/X/D/T
Alarm mode: SD / OF / X / D / T
- 信号反馈: D: DCS
Signal feedback: D: DCS

C 产品概述 Product overview

- CN800-Q系列是控制防爆恒功率式电伴热带, 温度控制仪表为我公司新型开发的综合多功能仪表, 可实现电压电流显示、过压保护、过欠流保护、红外线遥控、RS485通讯和4~20mA同时输入。
- 功能有: 漏电、短路、缺相、限流、断线、上下限报警、远程通讯、电压电流显示、电流变送输出等, DCS信号可上传至控制室进行远程控制, 现场有手动和自动两种控制方式, 手动控制可带有超温保护;
- 控制方式: Q: 综合保护型;
- 应用于化工原料管道、化工原料储罐罐体、采油井口装置、仪器仪表伴热等;
- 适用于爆炸性气体环境1区、2区场所;
- 适用于可燃性粉尘环境21区、22区场所;
- 适用于IIA、IIB、IIC类爆炸性气体环境;
- 适用于T1~T6组温度级别。
- CN800-Q Series is used to control explosion-proof constant power type electric tracing belt, temperature control instrument is our company's newly-developed comprehensive multi-function instrument, it can realize voltage and current display, over voltage protection, over/under current protection, infrared remote control, RS485 communication and 4~20mA simultaneous input.
- Functions: electric leakage, short circuit, phase loss, current limit, wire disconnection, upper and lower limit alarm, remote communication, current transmitting output, DCS signal can be uploaded to the control room for remote control, there are onsite manual and automatic two control modes. Manual control can be with over temperature protection, voltage and current display;
- Control mode: Q: comprehensive protection type;
- It is used in chemical raw material pipeline, chemical raw material storage tank, oil well head equipment, instrument heat tracing, etc;
- It is applicable to zone 1 and zone 2 of explosive gas environment;
- It is suitable for 21 and 22 areas of combustibile dust environment;
- Suitable for IIA, IIB, IIC explosive gas environment;
- Applicable to temperature levels of T1~T6 group.

CN800-Q(综合保护)智能防爆温度控制配电箱

CN800-Q(Integrated protection)Intelligent explosion-proof temperature control distribution box

C 技术参数 Technical parameter

CN800-Q(综合保护)智能防爆温度控制配电箱

CN800-Q(Integrated protection)Intelligent explosion-proof temperature control distribution box

执行标准 Executive standard	GB3836.1、GB3836.2、GB3836.3、GB12476.1、GB12476.5、IEC60079-0、IEC60079-1、IED60079-7、IEC61241-0、IEC61241-1、EN60079-1、EN60079-7、EN61241-0、EN61241-1		
防爆标志 Ex-mark	② IIG Ex db eb IIB T4/T6 Gb	③ IIG Ex db eb IIB T4/T6 Gb	④ IIG Ex db eb IIB T4/T6 Gb
	⑤ IIG Ex db eb IIC T4/T6 Gb	⑥ IIG Ex db IIC T4/T6 Gb	⑦ IIG Ex db IIC T4/T6 Gb
	⑧ IIG Ex db IIC T4/T6 Gb		
	⑨ IIG Ex db IIC T4/T6 Gb		
额定电压 Rated voltage	AC36V/AC220V/AC380V		
主回路电流 Main circuit current	≤125A	160≤I≤225A	250≤I≤630A
支路电流 Branch current	10A、16A、20A、25A、32A、40A、50A、60A、80A、100A、125A(带漏电30mA、300mA) (With leakage of 30mA, 300mA)		
防护等级 Degree of protection	IP65、IP66		
防腐等级 Anticorrosion grade	WF1、WF2		
电器配置 Electrical configuration	施耐德全系列产品或国产一线产品 Schneider full range products or domestic first-line products		
仪表配置 Instrument configuration	CN-TK系列或欧姆龙系列产品 CN-TK Series or omron series products		
输入类型 Input type	热电阻PT100、热电偶K型、J型、T型等 Thermal resistance PT100, thermocouple K type, J type, T type, etc		
输出类型 Type of output	RS485通讯、4~20mA电流变送 RS485 Communication, 4~20mA current transmitting		
报警类型 Alarm type	传感器断线报警、漏电报警、开关量报警、上下限报警、故障报警 Sensor disconnection alarm, leakage alarm, switch alarm, upper and lower limit alarm, fault alarm		
反馈信号 Feedback signal	漏电、开关量、停止、运行、高低温 Leakage, switching value, stop operation, high and low temperature		
控制方式 Control mode	综合保护型(带红外线遥控) Comprehensive protection type (with infrared remote control)		
引入装置 Lead in device	引入装置规格为G1/2"~G4", 其它规格可定做 The specification of lead-in device is G1/2"~G4", other specifications can be customized		

C 选配表 Selection table

型号规格 Model and specification	支路数 Number of branches	主回路额定电流(A) Rated current of main circuit (A)	支路额定电流(A) Rated current of branch (A)	主回路进线口电缆外径(mm) Outer diameter of main circuit inlet cable (mm)	分回路出线口电缆外径(mm) Outer diameter of branch circuit outlet cable (mm)	传感器出线口电缆外径(mm) Outer diameter of sensor outlet cable (mm)
CN800-□K40F32	3	40	32	G1 1/4"15~23	G3/4"10~14	G1/2"8~10
CN800-□K63F32	6	63	32	G1 1/4"15~23	G3/4"10~14	G1/2"8~10
CN800-□K125F32	7	125	32	G1 1/2"18~33	G3/4"10~14	G1/2"8~10
CN800-□K125F32	8	125	32	G1 1/2"18~33	G3/4"10~14	G1/2"8~10
CN800-□K125F32	9	125	32	G1 1/2"18~33	G3/4"10~14	G1/2"8~10
CN800-□K160F32	10	160	32	G2"26~43	G3/4"10~14	G1/2"8~10
CN800-□K160F32	11	160	32	G2"26~43	G3/4"10~14	G1/2"8~10
CN800-□K160F32	12	160	32	G2"26~43	G3/4"10~14	G1/2"8~10

注: 以上为常规配置。 Note: the above configuration is conventional.

C 订货须知 Ordering instructions

- ◆ 客户在定货时, 可根据管道工艺要求设计防爆箱的回路数量及电流, 若需要电压电流多功能仪表或其它功能请另行注明;
- ◆ 带温度控制的则要注明输入类型(常规为PT100), 输出类型有4~20mA电流变送输出及RS485通讯, 不带不注。
- ◆ 定货时铝合金为常用材质, 若需要其它材质请注明。
- ◆ When ordering, customers can design the number and current of the circuit of the explosion-proof box according to the requirements of the pipeline process. If you need voltage and current multifunctional instrument or other functions, please specify separately;
- ◆ The input type (conventional PT100) should be indicated if it's with temperature control, the output type include 4~20mA current transmitting output and RS485 communication, and it's not indicated if there's no such function.
- ◆ Aluminum alloy is commonly used material when ordering, please indicate if you need other materials.



IIB/IIC/Ex tb (户外/户内)
控制负载: 电伴热带
IIB / IIC / Ex tb (Outdoor / Indoor)
Control load: Electric heating cable

C 型号含义 Model meaning

CN800- □□□□□□□□□□
□ □ □ □ □ □ □ □ □ □ □ □ □ □ □ □

- ① 智能防爆温度控制配电箱
Intelligent explosion proof temperature control distribution box
- ② 控制类型: PLC编程控制
Control type: PLC Programme control
- ③ 总开关: K: 32A~630A
Main switch: K: 32A ~ 630A
- ④ 分开关: F: 10A~125A
Sub switch: F: 10A ~ 125A
- ⑤ 进线方向: XX: 下进下出
Incoming direction: XX: Down in and down out
XD: 下进上出
XD: Bottom in top out
- ⑥ 防护装置: F: 防雨罩; F1: 防护箱
Protective device: F: rain cover; F1: protection box
- ⑦ 安装方式: G: 挂式; L: 立式
Installation mode: G: hanging type; L: vertical
- ⑧ 输入类型: P: PT100; KJ
Input type: P: PT100; KJ
- ⑨ 输出类型: A: RS485; B: 4~20mA
Output type: A: RS485; B: 4~20mA
- ⑩ 报警方式: SD/OF/X/D/T
Alarm mode: SD / OF / X / D / T
- ⑪ 信号反馈: D: DCS
Signal feedback: D: DCS

C 产品概述 Product overview

- CN800-PLC系列主要控制防爆电伴热带, 控制部分为PLC编写程序控制, 可根据不同的功能设计来实现智能化控制, 编写各种操作面板指令以及输入输出信号, 可实现电压电流显示、过欠流保护、RS485通讯和4~20mA输出、PLC故障报警。
- 功能有: 漏电、短路、缺相、限流、断线、开关状态、运行状态、上下限报警、远程通讯、电流变送输出等, DCS信号可上传至控制室进行远程控制, 现场有手动和自动两种控制方式;
- 控制方式: PLC智能型控制;
- 应用于化工原料管道、化工原料储罐罐体、采油井口装置、仪器仪表伴热等;
- 适用于爆炸性气体环境1区、2区场所;
- 适用于可燃性粉尘环境21区、22区场所;
- 适用于IIA、IIB、IIC类爆炸性气体环境;
- 适用于T1~T6组温度级别。
- CN800-PLC Series mainly used to control explosion-proof electric tracing belt, its control part is PLC programming control, it achieves intelligent control according to different functional design, it can write a variety of operation panel instructions and input and output signals; It can realize voltage and current display, over and under current protection, RS485 communication and 4~20mA output, PLC fault alarm.
- Function: electric leakage, short circuit, phase loss, current limit, wire disconnection, switch state, running state, upper and lower limit alarm. DCS signal can be uploaded to the control room for remote control. There are manual and automatic control modes on site.
- Control mode: PLC intelligent control;
- It is used in chemical raw material pipeline, chemical raw material storage tank, oil well head equipment, instrument heat tracing, etc;
- It is applicable to zone 1 and zone 2 of explosive gas environment;
- It is suitable for 21 and 22 areas of combustible dust environment;
- Suitable for IIA, IIB, IIC explosive gas environment;
- Applicable to temperature levels of T1~T6 group.

1区& 2区; 21区& 22区

zone1, zone2, zone21, zone22



CN800-PLC(编程控制)智能防爆温度控制配电箱

CN800-PLC(Programming control)Intelligent explosion-proof temperature control distribution box

C 技术参数 Technical parameter

CN800-PLC(编程控制)智能防爆温度控制配电箱

CN800-PLC(Programming control)Intelligent explosion-proof temperature control distribution box

执行标准 Executive standard	GB3836.1、GB3836.2、GB3836.3、GB12476.1、GB12476.5、IEC60079-0、IEC60079-1、IED60079-7、IEC61241-0、IEC61241-1、EN60079-1、EN60079-7、EN61241-0、EN61241-1		
防爆标志 Ex-mark	② IIBG Ex db eb IIB T4/T6 Gb	③ IIBG Ex db eb IIB T4/T6 Gb	④ IIBG Ex db eb IIB T4/T6 Gb
额定电压 Rated voltage	AC36V/AC220V/AC380V		
主回路电流 Main circuit current	≤125A	160≤I≤225A	250≤I≤630A
支路电流 Branch current	10A、16A、20A、25A、32A、40A、50A、60A、80A、100A、125A(带漏电30mA、300mA) (With leakage of 30mA, 300mA)		
防护等级 Degree of protection	IP65、IP66		
防腐等级 Anticorrosion grade	WF1、WF2		
电器配置 Electrical configuration	施耐德全系列产品或国产一线产品 Schneider full range products or domestic first-line products		
仪表配置 Instrument configuration	CN2000系列或西门子S7系列产品 CN2000 Series or Siemens S7 series products		
输入类型 Input type	热电阻PT100, 热电偶K型、J型、T型等 Thermal resistance PT100, thermocouple K type, J type, T type, etc		
输出类型 Type of output	RS485通讯、4~20mA电流变送 RS485 Communication, 4~20mA current transmitting		
报警类型 Alarm type	传感器断线报警、漏电报警、开关量报警、上下限报警、故障报警 Sensor disconnection alarm, leakage alarm, switch alarm, upper and lower limit alarm, fault alarm		
反馈信号 Feedback signal	漏电、开关量、停止、运行、高低温 Leakage, switching value, stop operation, high and low temperature		
控制方式 Control mode	PLC编程控制(可实现历史数据存储, 工作曲线) PLC Programming control (historical data storage and working curve can be realized)		
引入装置 Lead in device	引入装置规格为G1/2"~G4", 其它规格可定做 The specification of lead-in device is G1/2"~G4", other specifications can be customized		

C 选配表 Selection table

型号规格 Model and specification	支路数 Number of branches	主回路额定电流(A) Rated current of main circuit (A)	支路额定电流(A) Rated current of branch (A)	主回路进线口电缆外径(mm) Outer diameter of main circuit inlet cable (mm)	分回路出线口电缆外径(mm) Outer diameter of branch circuit outlet cable (mm)	传感器出线口电缆外径(mm) Outer diameter of sensor outlet cable (mm)
CN800-□K40F32	3	40	32	G1 1/4"15~23	G3/4"10~14	G1/2"8~10
CN800-□K63F32	6	63	32	G1 1/4"15~23	G3/4"10~14	G1/2"8~10
CN800-□K125F32	7	125	32	G1 1/2"18~33	G3/4"10~14	G1/2"8~10
CN800-□K125F32	8	125	32	G1 1/2"18~33	G3/4"10~14	G1/2"8~10
CN800-□K125F32	9	125	32	G1 1/2"18~33	G3/4"10~14	G1/2"8~10
CN800-□K160F32	10	160	32	G2"26~43	G3/4"10~14	G1/2"8~10
CN800-□K160F32	11	160	32	G2"26~43	G3/4"10~14	G1/2"8~10
CN800-□K160F32	12	160	32	G2"26~43	G3/4"10~14	G1/2"8~10

注: 以上为常规配置。Note: the above configuration is conventional.

C 订货须知 Ordering instructions

- ◆ 客户在定货时, 可根据管道工艺要求设计防爆箱的回路数量及电流, 若需要电压电流多功能仪表或其它功能请另行注明;
- ◆ 带温度控制的则要注明输入类型(常规为PT100), 输出类型有4~20mA电流变送输出及RS485通讯, 不带不注。
- ◆ 定货时铝合金为常用材质, 若需要其它材质请注明。
- ◆ When ordering, customers can design the number and current of the circuit of the explosion-proof box according to the requirements of the pipeline process. If you need voltage and current multifunctional instrument or other functions, please specify separately;
- ◆ The input type (conventional PT100) should be indicated if it's with temperature control, the output type include 4~20mA current transmitting output and RS485 communication, and it's not indicated if there's no such function.
- ◆ Aluminum alloy is commonly used material when ordering, please indicate if you need other materials.



IIB/IIC/Ex tb (户外/户内)
控制负载: 电伴热带
IIB / IIC / Ex tb (Outdoor / Indoor)
Control load: Electric heating cable

C 型号含义 Model meaning

CN800- □□□□□□□□□□
□ □ □ □ □ □ □ □ □ □ □ □

- ① 智能防爆温度控制配电箱
Intelligent explosion proof temperature control distribution box
- ② 控制类型: BT: 远程智能控制
Control type: BT: Remote intelligent control
- ③ 总开关: K: 32A~630A
Main switch: K: 32A~630A
- ④ 分开关: F: 10A~125A
Sub switch: F: 10A~125A
- ⑤ 进线方向: XX: 下进下出
Incoming direction: XX: Down in and down out
XD: 下进上出
XD: Bottom in top out
- ⑥ 防护装置: F: 防雨罩; F1: 防护箱
Protective device: F: rain cover; F1: protection box
- ⑦ 安装方式: G: 挂式; L: 立式
Installation mode: G: hanging type; L: vertical
- ⑧ 输入类型: P: PT100; KJ
input type: P: PT100; KJ
- ⑨ 输出类型: A: RS485; B: 4~20mA
Output type: A: RS485; B: 4~20mA
- ⑩ 报警方式: SD/OF/X/D/T
Alarm mode: SD / OF / X / D / T
- ⑪ 信号反馈: D: DCS
Signal feedback: D: DCS

C 产品概述 Product overview

- ◆ CN800-BT系列主要控制防爆电伴热带, 配电箱操作实现远程智能控制, 通过远程操作控制开关分断、仪表的运行和停止, 具有远程监控, 可实现工作电流显示、漏电流显示、RS485通讯和4~20mA输出。
- ◆ 功能有: 漏电、短路、缺相、限流、断线、上下限报警、远程通讯、电流变送输出等, DCS信号可上传至控制室进行远程控制, 现场有手动和自动两种控制方式;
- ◆ 控制方式: BT: 远程智能控制;
- ◆ 应用于化工原料管道、化工原料储罐罐体、采油井口装置、仪器仪表伴热等;
- ◆ 适用于爆炸性气体环境1区、2区场所;
- ◆ 适用于可燃性粉尘环境21区、22区场所;
- ◆ 适用于IIA、IIB、IIC类爆炸性气体环境;
- ◆ 适用于T1~T6组温度级别。
- ◆ CN800-BT Series is mainly used to control explosion-proof electric tracing belt, distribution box operation realizes remote intelligent control, it controls switch breaking, instrument operation and stop through remote operation, with remote monitoring, it can realize working current display, leakage current display, RS485 communication and 4~20mA output.
- ◆ Functions: electric leakage, short circuit, phase loss, current limit, wire disconnection, upper and lower limit alarm, remote communication, current transmitting output, DCS signal can be uploaded to the control room for remote control, there are manual and automatic two control modes on site;
- ◆ Control mode: BT: remote intelligent control;
- ◆ It is used in chemical raw material pipeline, chemical raw material storage tank, oil well head equipment, instrument heat tracing, etc;
- ◆ It is applicable to zone 1 and zone 2 of explosive gas environment;
- ◆ It is suitable for 21 and 22 areas of combustible dust environment;
- ◆ Suitable for IIA, IIB, IIC explosive gas environment;
- ◆ Applicable to temperature levels of T1~T6 group.

1区& 2区; 21区& 22区

zone1, zone2, zone21, zone22

C 技术参数 Technical parameter

CN800-BT(远程控制)智能防爆温度控制配电箱

CN800-BT(Remote control)Intelligent explosion-proof temperature control distribution box

执行标准 Executive standard	GB3836.1、GB3836.2、GB3836.3、GB12476.1、GB12476.5、IEC60079-0、IEC60079-1、IED60079-7、IEC61241-0、IEC61241-1、EN60079-1、EN60079-7、EN61241-0、EN61241-1		
防爆标志 Ex-mark	② IIG Ex db eb IIB T4/T6 Gb ② IIG Ex db eb IIC T4/T6 Gb	② IIG Ex db eb IIB T4/T6 Gb ② IIG Ex db IIC T4/T6 Gb	Ex db eb IIB T4/T6 Gb Ex db eb IIC T4/T6 Gb
额定电压 Rated voltage	AC36V/AC220V/AC380V		
主回路电流 Main circuit current	≤125A	160≤I≤225A	250≤I≤630A
支路电流 Branch current	10A、16A、20A、25A、32A、40A、50A、60A、80A、100A、125A(带漏电30mA、300mA) (With leakage of 30mA, 300mA)		
防护等级 Degree of protection	IP65、IP66		
防腐等级 Anticorrosion grade	WF1、WF2		
电器配置 Electrical configuration	施耐德全系列产品或国产一线产品 Schneider full range products or domestic first-line products		
仪表配置 Instrument configuration	CN系列或欧姆龙系列产品 CN Series or omron series products		
输入类型 Input type	热电阻PT100, 热电偶K型、J型、T型等 Thermal resistance PT100, thermocouple K type, J type, T type, etc		
输出类型 Type of output	RS485通讯、4~20mA电流变送 RS485 Communication, 4~20mA current transmitting		
报警类型 Alarm type	传感器断线报警、漏电报警、开关量报警、上下限报警、故障报警 Sensor disconnection alarm, leakage alarm, switch alarm, upper and lower limit alarm, fault alarm		
反馈信号 Feedback signal	漏电、开关量、停止、运行、高低温 Leakage, switching value, stop operation, high and low temperature		
控制方式 Control mode	远程智能控制(断路器及仪表远程自动化控制) Remote intelligent control (remote automatic control of circuit breaker and instrument)		
引入装置 Lead in device	引入装置规格为G1/2"~G4", 其它规格可定做 The specification of lead-in device is G1/2"-G4", other specifications can be customized		

C 选配表 Selection table

型号规格 Model and specification	支路数 Number of branches	主回路额定电流(A) Rated current of main circuit (A)	支路额定电流(A) Rated current of branch (A)	主回路进线口电缆外径(mm) Outer diameter of main circuit inlet cable (mm)	分回路出线口电缆外径(mm) Outer diameter of branch circuit outlet cable (mm)	传感器出线口电缆外径(mm) Outer diameter of sensor outlet cable (mm)
CN800-□K40F32	3	40	32	G1 1/4"15~23	G3/4"10~14	G1/2"8~10
CN800-□K63F32	6	63	32	G1 1/4"15~23	G3/4"10~14	G1/2"8~10
CN800-□K125F32	7	125	32	G1 1/2"18~33	G3/4"10~14	G1/2"8~10
CN800-□K125F32	8	125	32	G1 1/2"18~33	G3/4"10~14	G1/2"8~10
CN800-□K125F32	9	125	32	G1 1/2"18~33	G3/4"10~14	G1/2"8~10
CN800-□K160F32	10	160	32	G2"26~43	G3/4"10~14	G1/2"8~10
CN800-□K160F32	11	160	32	G2"26~43	G3/4"10~14	G1/2"8~10
CN800-□K160F32	12	160	32	G2"26~43	G3/4"10~14	G1/2"8~10

注: 以上为常规配置。Note: the above configuration is conventional.

C 订货须知 Ordering instructions

- ◆ 客户在订货时, 可根据管道工艺要求设计防爆箱的回路数量及电流, 若需要电压电流多功能仪表或其它功能请另行注明;
- ◆ 带温度控制的则要注明输入类型(常规为PT100), 输出类型有4~20mA电流变送输出及RS485通讯, 不带不注。
- ◆ 订货时铝合金为常用材质, 若需要其它材质请注明。
- ◆ When ordering, customers can design the number and current of the circuit of the explosion-proof box according to the requirements of the pipeline process. If you need voltage and current multifunctional instrument or other functions, please specify separately;
- ◆ The input type (conventional PT100) should be indicated if it's with temperature control, the output type include 4~20mA current transmitting output and RS485 communication, and it's not indicated if there's no such function.
- ◆ Aluminum alloy is commonly used material when ordering, please indicate if you need other materials.



C 型号含义 Model meaning

CN800 - □□□□□□□□□□
□ □ □ □ □ □ □ □ □ □ □ □

- 智能防爆温度控制配电箱
Intelligent explosion proof temperature control distribution box
- 控制类型: M: 防爆模块
Control type: M: Explosion proof module
- 总开关: K: 32A~630A
Main switch: K: 32A~630A
- 分开关: F: 10A~125A
Sub switch: F: 10A~125A
- 进线方向: XX: 下进下出
Incoming direction: XX: Down in and down out
XD: 下进上出
XD: Bottom in top out
- 防护装置: F: 防雨罩; F1: 防护箱
Protective device: F: rain cover; F1: protection box
- 安装方式: G: 挂式; L: 立式
Installation mode: G: hanging type; L: vertical
- 输入类型: P: PT100; KJ
Input type: P: PT100; KJ
- 输出类型: A: RS485; B: 4~20mA
Output type: A: RS485; B: 4~20mA
- 报警方式: SD/OF/X/D/T
Alarm mode: SD / OF / X / D / T
- 信号反馈: D: DCS
Signal feedback: D: DCS

C 产品概述 Product overview

- CN800-M系列主要控制防爆电伴热带, 外壳由防爆接线箱, 材质: 工程塑料SMC(可定制不锈钢316)内装防爆开关模块, 防爆温度控制模块, 安装更换便捷, 灵活可靠, 替换性强, 具有远程监控, 可实现工作电流显示、漏电流显示、RS485通讯和4~20mA输出。
- 功能有: 漏电、短路、缺相、限流、断线、上下限报警、远程通讯、电流变送输出等, DCS信号可上传至控制室进行远程控制。
- 组成方式: M: 防爆模块;
- 应用于化工原料管道、化工原料储罐罐体、采油井口装置伴热等;
- 适用于爆炸性气体环境1区、2区场所;
- 适用于可燃性粉尘环境21区、22区场所;
- 适用于IIA、IIB、IIC类爆炸性气体环境;
- 适用于T1~T6组温度级别。
- CN800-M Series is mainly used to control explosion-proof electric tracing belt, the shell is made of explosion-proof junction box, material: engineering plastic SMC(can be customized stainless steel 316) equipped with explosion-proof switch module and explosion-proof temperature control module, with convenient installation and replacement, high flexibility and reliability, high replaceability, with remote monitoring, it can realize working current display, leakage current display, RS485 communication and 4~20mA output.
- Functions: electric leakage, short circuit, phase loss, current limit, wire disconnection, upper and lower limit alarm, remote communication, current transmitting output, DCS signal can be uploaded to the control room for remote control.
- Composition: M: explosion-proof module;
- It is used for heat tracing in pipeline of chemical raw material, storage tank of chemical raw material and oil production wellhead device, etc;
- It is applicable to zone 1 and zone 2 of explosive gas environment;
- It is suitable for 21 and 22 areas of combustible dust environment;
- Suitable for IIA, IIB, IIC explosive gas environment;
- Applicable to temperature levels of T1~T6 group.

1区&2区; 21区&22区

zone1, zone2, zone21, zone22



IIB/IIC/Ex tb (户外/户内)

控制负载: 电伴热带

IIB / IIC / Ex tb (Outdoor / Indoor)

Control load: Electric heating cable

C 技术参数 Technical parameter

CN800-M(防爆模块)智能防爆温度控制配电箱

CN800-M(Explosion proof module)Intelligent explosion-proof temperature control distribution box

执行标准 Executive standard	GB3836.1、GB3836.2、GB3836.3、GB12476.1、GB12476.5、IEC60079-0、IEC60079-1、IED60079-7、IEC61241-0、IEC61241-1、EN60079-1、EN60079-7、EN61241-0、EN61241-1		
防爆标志 Ex-mark	② IIB G Ex db eb IIB T4/T6 Gb	Ex db eb IIB T4/T6 Gb	
	② IIB G Ex db eb IIC T4/T6 Gb	Ex db eb IIC T4/T6 Gb	
	② IIB D Ex tb IIC T130°C/T80°C Db	Ex tb IIC T130°C/T80°C Db	
额定电压 Rated voltage	AC36V/AC220V/AC380V		
主回路电流 Main circuit current	≤125A	160≤I≤225A	250≤I≤630A
支路电流 Branch current	10A、16A、20A、25A、32A、40A、50A、60A、80A、100A、125A(带漏电30mA、300mA) (With leakage of 30mA, 300mA)		
防护等级 Degree of protection	IP65、IP66		
防腐等级 Anticorrosion grade	WF1、WF2		
电器配置 Electrical configuration	施耐德全系列产品或国产一线产品 Schneider full range products or domestic first-line products		
仪表配置 Instrument configuration	CN系列产品(CCNPC-Ex) CN Series products (CCNPC Ex)		
输入类型 Input type	热电阻PT100, 热电偶K型、J型、T型等 Thermal resistance PT100, thermocouple K type, J type, T type, etc		
输出类型 Type of output	RS485通讯、4~20mA电流变送 RS485 Communication, 4~20mA current transmitting		
报警类型 Alarm type	传感器断线报警、漏电报警、开关量报警、上下限报警、故障报警 Sensor disconnection alarm, leakage alarm, switch alarm, upper and lower limit alarm, fault alarm		
反馈信号 Feedback signal	漏电、开关量、停止、运行、高低温 Leakage, switching value, stop operation, high and low temperature		
控制方式 Control mode	防爆模块 Explosion proof module		
引入装置 Lead in device	引入装置规格为G1/2"~G4", 其它规格可定做 The specification of lead-in device is G1/2"~G4", other specifications can be customized		

C 选配表 Selection table

型号规格 Model and specification	支路数 Number of branches	主回路额定电流(A) Rated current of main circuit (A)	支路额定电流(A) Rated current of branch (A)	主回路进线口电缆外径(mm) Outer diameter of main circuit inlet cable (mm)	分回路出线口电缆外径(mm) Outer diameter of branch circuit outlet cable (mm)	传感器出线口电缆外径(mm) Outer diameter of sensor outlet cable (mm)
CN800-□K40F32	3	40	32	G1 1/4"15~23	G3/4"10~14	G1/2"8~10
CN800-□K63F32	6	63	32	G1 1/4"15~23	G3/4"10~14	G1/2"8~10
CN800-□K125F32	7	125	32	G1 1/2"18~33	G3/4"10~14	G1/2"8~10
CN800-□K125F32	8	125	32	G1 1/2"18~33	G3/4"10~14	G1/2"8~10
CN800-□K125F32	9	125	32	G1 1/2"18~33	G3/4"10~14	G1/2"8~10
CN800-□K160F32	10	160	32	G2"26~43	G3/4"10~14	G1/2"8~10
CN800-□K160F32	11	160	32	G2"26~43	G3/4"10~14	G1/2"8~10
CN800-□K160F32	12	160	32	G2"26~43	G3/4"10~14	G1/2"8~10

注: 以上为常规配置。Note: the above configuration is conventional.

C 订货须知 Ordering instructions

- ◆ 客户在定货时, 可根据管道工艺要求设计防爆箱的回路数量及电流, 若需要电压电流多功能仪表或其它功能请另行注明;
- ◆ 带温度控制的则要注明输入类型(常规为PT100), 输出类型有4~20mA电流变送输出及RS485通讯, 不带不注。
- ◆ 定货时铝合金为常用材质, 若需要其它材质请注明。
- ◆ When ordering, customers can design the number and current of the circuit of the explosion-proof box according to the requirements of the pipeline process. If you need voltage and current multifunctional instrument or other functions, please specify separately;
- ◆ The input type (conventional PT100) should be indicated if it's with temperature control, the output type include 4~20mA current transmitting output and RS485 communication, and it's not indicated if there's no such function.
- ◆ Aluminum alloy is commonly used material when ordering, please indicate if you need other materials.



CN8110-M
(工程塑料)智能防爆
温度控制器

CN8110-M
(Engineering plastics) Intelligent
Explosion-proof temperature
controller



IIC/Ex tb (户外/户内)
控制负载: 电伴热带
IIC / Ex tb (Outdoor / Indoor)
Control load: Electric heating cable

G 产品概述 Product overview

- ◆ CN8110-M系列主要是控制防爆电伴热带, 适用于单回路管线防冻和工艺维持。
- ◆ 内部装有我公司开发的防爆温度控制模块, 安装快捷, 操作方便, 性能可靠, 使用寿命长, 免维护。
- ◆ 功能有: 温度报警、远程通讯、DCS信号可上传至控制室进行远程控制;
- ◆ 应用于化工原料管道、化工原料储罐罐体、采油井口装置、仪器仪表伴热控制。
- ◆ CN8110-M Series is mainly used to control explosion-proof electric tracing belt, which is suitable for single-loop pipeline freezing prevention and process maintenance.
- ◆ Internal equipped with explosion-proof temperature control module developed by our company, quick installation, convenient operation, reliable performance, long service life, maintenance free.
- ◆ Functions: temperature alarm, remote communication, DCS signal can be uploaded to the control room for remote control;
- ◆ Used in chemical raw material pipelines, chemical raw material storage tanks, oil production wellhead devices, instrument heat tracing control.

1区& 2区; 21区& 22区
zone1, zone2, zone21, zone22

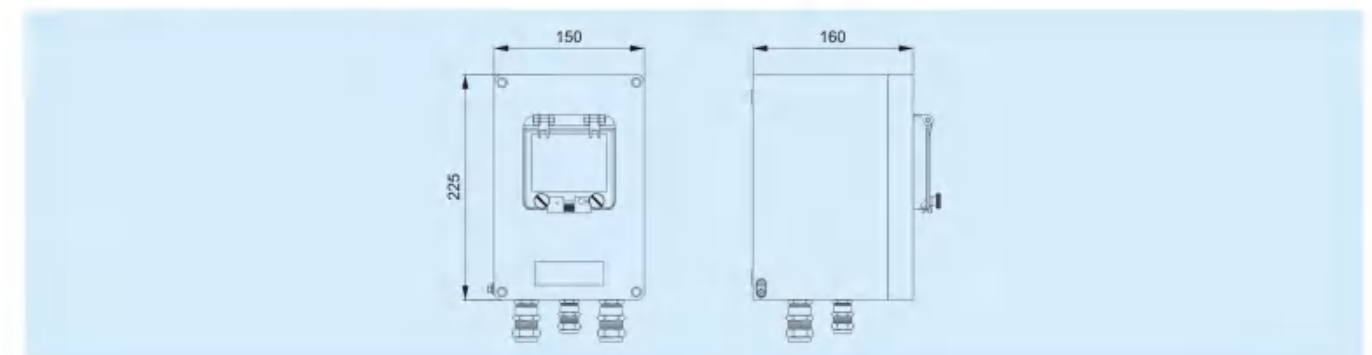
G 型号释义 Model definition

CN8110	M
智能防爆温度控制器 Intelligent Explosion proof temperature controller	模块 Modular

G 技术参数 Technical parameter

CN8110-M(工程塑料)智能防爆温度控制器 CN8110-M(Engineering plastics) Intelligent explosion-proof temperature controller		
材质 Texture of material	工程塑料 Engineering plastic	
防爆等级 Ex proof grade	Ⓜ II 2G Ex db eb IIC T6 Gb Ⓜ II 2D Ex tb IIIC T80°C Db	Ex db eb IIC T6 Gb Ex tb IIIC T80°C Db
额定电压 Rated voltage	AC220V	
额定电流 Rated current	25A, 40A, 60A	
仪表配置 Instrument configuration	CN系列 CN Series	
输入类型 Input type	热电阻PT100, 热电偶K型、J型、T型等 Thermal resistance PT100, thermocouple K-type, J-type, T-type, etc	
输出类型 Type of output	RS485通讯、4~20mA电流变送 RS485 Communication, 4 ~ 20mA current transmitting	
报警类型 Alarm type	传感器断线报警、超温报警 Sensor disconnection alarm and overtemperature alarm	
反馈信号 Feedback signal	运行、高低温 Operation, high and low temperature	
控制方式 Control mode	一控一路, 一控制多路 One control one way, one control multiple-way	
防护等级 Degree of protection	IP65、IP66	
防腐等级 Anticorrosion grade	WF2	
安装方式 Installation method	管道式 Pipeline type	
引入装置 Lead in device	G1/2"配CN970或CN960 G1 / 2 "with CN970 or CN960	

G 外形尺寸(mm) Overall dimension (mm)





CN8110-T
(一体式)智能防爆
温度控制器

CN8110-T
(Integrated type) Intelligent
Explosion-proof temperature
controller



IIC/Ex tb (户外/户内)
控制负载: 电伴热带
IIC / Ex tb (Outdoor / Indoor)
Control load: Electric heating cable

G 产品概述 Product overview

- ◆ CN8110-T系列主要是控制防爆电伴热带, 适用于单回路管线防冻和工艺维持。
- ◆ 内部结构为一体式, 高精度伴热, 接线方便, 性能可靠, 使用寿命长, 免维护。
- ◆ 功能有: 温度报警、远程通讯、DCS信号可上传至控制室进行远程控制;
- ◆ 应用于化工原料管道、化工原料储罐罐体、采油井口装置、仪器仪表伴热控制。
- ◆ CN8110-T Series is mainly used to control explosion-proof electric tracing belt, which is suitable for single-loop pipeline freezing prevention and process maintenance.
- ◆ The internal structure is integrated type with high precision heat tracing, convenient wiring, reliable performance, long service life, and it's maintenance free.
- ◆ Functions: temperature alarm, remote communication, DCS signal can be uploaded to the control room for remote control;
- ◆ Used in chemical raw material pipelines, chemical raw material storage tanks, oil production wellhead devices, instrument heat tracing control.

1区& 2区; 21区& 22区
zone1, zone2, zone21, zone22



CN8110-T(一体式)智能防爆温度控制器
CN8110-T(Integrated type) Intelligent Explosion-proof temperature controller

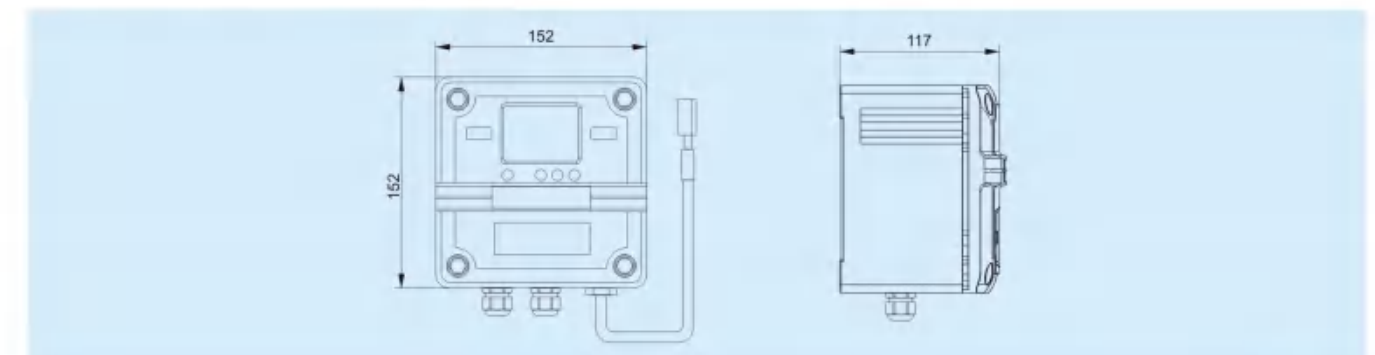
G 型号释义 Model definition

CN8110	T
智能防爆温度控制器 Intelligent Explosion proof temperature controller	一体式 Integrated type

G 技术参数 Technical parameter

CN8110-T(一体式)智能防爆温度控制器 CN8110-T(Integrated type) Intelligent explosion-proof temperature controller	
材质 Texture of material	工程塑料 Engineering plastic
防爆等级 Ex proof grade	Ex II 2G Ex eb ib mb IIC T6/T4 Gb Ex II 2D Ex tb IIIC T80°C/T80°C Db
额定电压 Rated voltage	AC220V
额定电流 Rated current	25A, 40A, 60A
仪表配置 Instrument configuration	CN系列 CN Series
输入类型 Input type	热电阻PT100, 热电偶K型、J型、T型等 Thermal resistance PT100, thermocouple K-type, J-type, T-type, etc
输出类型 Type of output	RS485通讯、4~20mA电流变送 RS485 Communication, 4 ~ 20mA current transmitting
报警类型 Alarm type	传感器断线报警、超温报警 Sensor disconnection alarm and overtemperature alarm
反馈信号 Feedback signal	运行、高低温 Operation, high and low temperature
控制方式 Control mode	一控一路, 一控两路 One control one way, one control two way
防护等级 Degree of protection	IP65、IP66
防腐等级 Anticorrosion grade	WF2
安装方式 Installation method	管道式 Pipeline type
引入装置 Lead in device	G1/2"配CN970或CN960 G1 / 2 "with CN970 or CN960

G 外形尺寸(mm) Overall dimension (mm)





CN810-I
(铝合金)智能防爆
温度控制器

CN810-I
(Aluminum alloy) Intelligent
Explosion-proof temperature
controller



IIC/Ex tb (户外/户内)
控制负载: 电伴热带

IIC / Ex tb (Outdoor / Indoor)
Control load: Electric heating cable

G 产品概述 Product overview

- ◆ CN810-I系列主要是控制防爆电伴热带, 适用于单回路管线防冻和工艺维持, 可通过外部按键设定参数。
- ◆ 材质为铝合金, 表面喷塑处理, 不锈钢紧固件螺丝。
- ◆ 功能有: 温度报警、远程通讯、DCS信号可上传至控制室进行远程控制;
- ◆ 应用于化工原料管道、化工原料储罐罐体、采油井口装置、仪器仪表伴热控制。
- ◆ CN810-I Series is mainly used to control explosion-proof electric tracing belt, which is suitable for single-loop pipeline anti-freezing and process maintenance. Parameters can be set by external keys.
- ◆ It is made of aluminum alloy, and the surface is treated with spray processing, with stainless steel fastener screws.
- ◆ Functions: temperature alarm, remote communication, DCS signal can be uploaded to the control room for remote control.
- ◆ Used in chemical raw material pipelines, chemical raw material storage tanks, oil production wellhead devices, instrument heat tracing control.

1区& 2区; 21区& 22区

zone1, zone2, zone21, zone22



CN810-I(铝合金)智能防爆温度控制器
CN810-I (Aluminum alloy) Intelligent Explosion-proof temperature controller

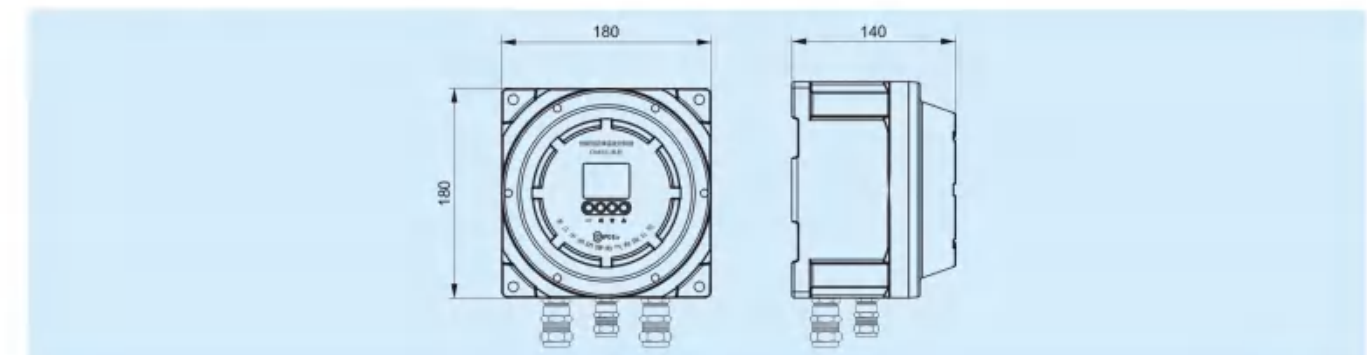
G 型号释义 Model definition

CN810	I
智能防爆温度控制器 Intelligent Explosion proof temperature controller	带按键操作 With key operation

G 技术参数 Technical parameter

CN810-I(铝合金)智能防爆温度控制器 CN810-I (Aluminum alloy) Intelligent explosion-proof temperature controller	
材质 Texture of material	铝合金(不锈钢需定做) Aluminum alloy (stainless steel to be customized)
防爆等级 Ex proof grade	Ex II 2G Ex db IIC T6/T4 Gb Ex db IIC T6/T4 Gb Ex II 2D Ex tb IIIC T80°C/T80°C Db Ex tb IIIC T80°C/T80°C Db
额定电压 Rated voltage	AC380V/AC220V
额定电流 Rated current	25A, 40A, 60A
仪表配置 Instrument configuration	CN系列 CN Series
输入类型 Input type	热电阻PT100, 热电偶K型、J型、T型等 Thermal resistance PT100, thermocouple K-type, J-type, T-type, etc
输出类型 Type of output	RS485通讯、4~20mA电流变送 RS485 Communication, 4 ~ 20mA current transmitting
报警类型 Alarm type	传感器断线报警、超温报警 Sensor disconnection alarm and overtemperature alarm
反馈信号 Feedback signal	运行、高低温 Operation, high and low temperature
控制方式 Control mode	一控一路(带按键操作) One control one way (with key operation)
防护等级 Degree of protection	IP65、IP66
防腐等级 Anticorrosion grade	WF2
安装方式 Installation method	管道式 Pipeline type
引入装置 Lead in device	G1/2"配CN970或CN960 G1 / 2 "with CN970 or CN960

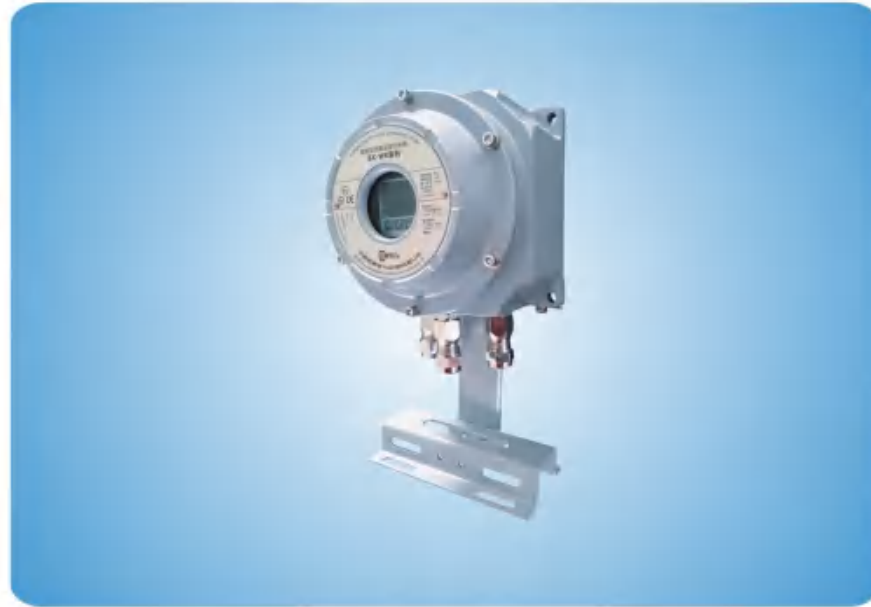
G 外形尺寸(mm) Overall dimension (mm)





CN810-II
(铝合金)智能防爆
温度控制器

CN810-II
(Aluminum alloy) Intelligent
Explosion-proof temperature
controller



IIC/Ex tb (户外/户内)
控制负载: 电伴热带
IIC / Ex tb (Outdoor / Indoor)
Control load: Electric heating cable

C 产品概述 Product overview

- ◆ CN810-II 系列主要是控制防爆电伴热带, 适用于单回路管线防冻和工艺维持, 不带按键操作, 防止误操作。
- ◆ 材质为铝合金, 表面喷塑处理, 不锈钢紧固件螺丝。
- ◆ 功能有: 温度报警、远程通讯、DCS信号可上传至控制室进行远程控制;
- ◆ 应用于化工原料管道、化工原料储罐罐体、采油井口装置、仪器仪表伴热控制。
- ◆ CN810-II Series is mainly used to control explosion-proof electric tracing belt. It is suitable for single-loop pipeline freezing prevention and process maintenance. It is operated without buttons to prevent misoperation.
- ◆ It is made of aluminum alloy, and the surface is treated with spray processing, with stainless steel fastener screws.
- ◆ Functions: temperature alarm, remote communication, DCS signal can be uploaded to the control room for remote control.
- ◆ Used in chemical raw material pipelines, chemical raw material storage tanks, oil production wellhead devices, instrument heat tracing control.

1区& 2区; 21区& 22区
zone1, zone2, zone21, zone22



CN810-II(铝合金)智能防爆温度控制器
CN810-II(Aluminum alloy) Intelligent Explosion-proof temperature controller

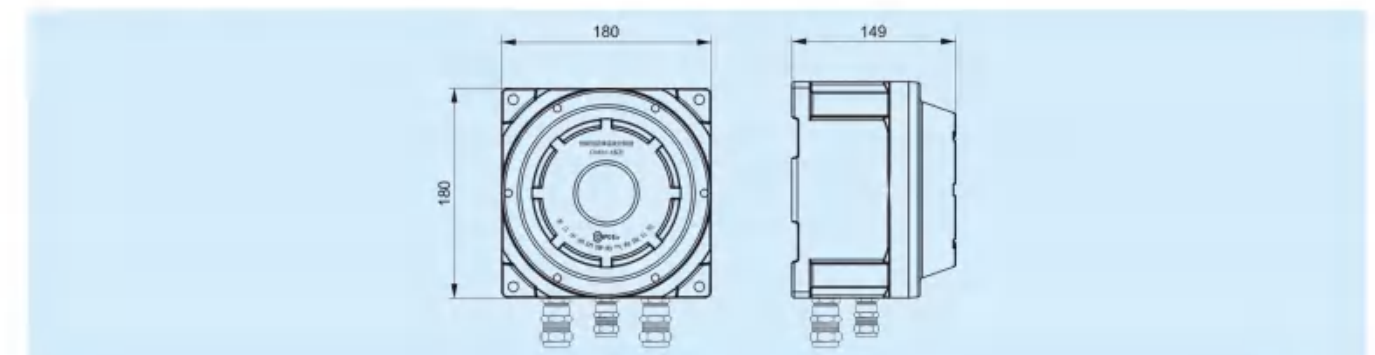
C 型号释义 Model definition

CN810	II
智能防爆温度控制器 Intelligent Explosion proof temperature controller	不带按键操作 Without button operation

C 技术参数 Technical parameter

CN810-II(铝合金)智能防爆温度控制器 CN810-II(Aluminum alloy) Intelligent explosion-proof temperature controller	
材质 Texture of material	铝合金(不锈钢需定做) Aluminum alloy (stainless steel to be customized)
防爆等级 Ex proof grade	⊕ II 2G Ex db IIC T6/T4 Gb Ex db IIC T6/T4 Gb ⊕ II 2D Ex tb IIIC T80°C/T80°C Db Ex tb IIIC T80°C/T80°C Db
额定电压 Rated voltage	AC380V/AC220V
额定电流 Rated current	25A, 40A, 60A
仪表配置 Instrument configuration	CN系列 CN Series
输入类型 Input type	热电阻PT100, 热电偶K型、J型、T型等 Thermal resistance PT100, thermocouple K-type, J-type, T-type, etc
输出类型 Type of output	RS485通讯、4~20mA电流变送 RS485 Communication, 4 ~ 20mA current transmitting
报警类型 Alarm type	传感器断线报警、超温报警 Sensor disconnection alarm and overtemperature alarm
反馈信号 Feedback signal	运行、高低温 Operation, high and low temperature
控制方式 Control mode	一控一路(不带按键操作) One control one way (without button operation)
防护等级 Degree of protection	IP65、IP66
防腐等级 Anticorrosion grade	WF2
安装方式 Installation method	管道式 Pipeline type
引入装置 Lead in device	G1/2"配CN970或CN960 G1 / 2 "with CN970 or CN960

C 外形尺寸(mm) Overall dimension (mm)





CN8111-M
(工程塑料)机械式防爆
温度控制器
CN8111-M
(Engineering plastics)
Mechanical intelligent
Explosion-proof temperature
controller



IIC/Ex tb (户外/户内)
控制负载: 电伴热带
低温环境中使用

IIC / Ex tb (Outdoor / Indoor)
Control load: Electric heating cable
Use in low temperature environment

C 产品概述 Product overview

- ◆ CN8111-M系列主要是控制防爆电伴热带, 适用于单回路管线防冻和工艺维持。
- ◆ 内部装有我公司开发的防爆温度控制模块, 安装快捷, 操作方便, 性能可靠, 使用寿命长, 免维护。
- ◆ 应用于化工原料管道、化工原料储罐罐体、采油井口装置、仪器仪表伴热控制。
- ◆ CN8111-M Series is mainly used to control explosion-proof electric tracing belt, which is suitable for single-loop pipeline freezing prevention and process maintenance.
- ◆ The explosion-proof temperature control module developed by our company is installed inside, which is quick to install, convenient to operate, reliable in performance, long in service life and maintenance-free.
- ◆ Used in chemical raw material pipelines, chemical raw material storage tanks, oil production wellhead devices, instrument heat tracing control.

1区& 2区; 21区& 22区

zone1, zone2, zone21, zone22



C 型号释义 Model definition

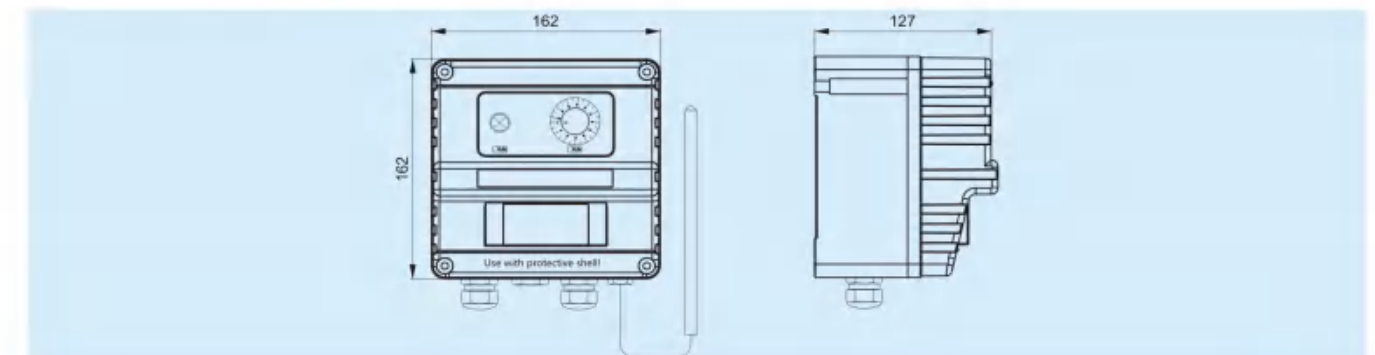
CN8111	M
防爆温度控制器 Explosion proof temperature controller	防爆模块设计 Design of explosion proof module

C 技术参数 Technical parameter

CN8111-M(工程塑料)机械式防爆温度控制器
CN8111-M(Engineering plastics)Mechanical intelligent explosion-proof temperature controller

材质 Texture of material	工程塑料(不锈钢) Engineering plastics (Stainless steel)	
防爆等级 Ex proof grade	Ⓔ II 2G Ex db eb IIC T6/T4 Gb Ⓔ II 2D Ex tb IIIC T80°C/T80°C Db	Ex db eb IIC T6/T4 Gb Ex tb IIIC T80°C/T80°C Db
额定电压 Rated voltage	AC380V/AC220V	
额定电流 Rated current	20A、30A	
防腐等级 Anticorrosion grade	WF2	
防护等级 Degree of protection	IP65、IP66	
测温类型 Temperature measurement type	感温探头 Temperature probe	
探头长度 Probe length	1M(长度可定做) 1M (Length can be customized)	
光源类型 Type of light source	红色(绿色需定做) Red (Green to be customized)	
测温量程 Temperature measurement range	0~120°C(其它量程需定做) 0 ~ 120 °C (Other ranges need to be customized)	
负载类型 Load type	电伴热 18×6mm Electric heat tracing 18×6mm	
安装方式 Installation method	管道式 Pipeline type	
引入装置 Lead in device	G1/2"配CN970或CN960 G1 / 2 "with CN970 or CN960	

C 外形尺寸(mm) Overall dimension (mm)





CN8111-NH
(铝合金)机械式防爆
温度控制器

CN8111-NH
(Aluminum alloy)
Mechanical Explosion-proof
temperature controller



IIC/Ex tb (户外/户内)
控制负载: 电伴热带
低温环境中使用

IIC / Ex tb (Outdoor / Indoor)
Control load: Electric heating cable
Use in low temperature environment

C 产品概述 Product overview

- ◆ CN8111-NH系列主要是控制防爆电伴热带, 适用于单回路管线防冻和工艺维持。
- ◆ 材质为铝合金, 表面喷塑处理, 设计美观, 安装快捷, 操作方便, 性能可靠, 使用寿命长。
- ◆ 应用于化工原料管道、化工原料储罐罐体、采油井口装置、仪器仪表伴热控制。
- ◆ CN8111-NH Series is mainly used to control explosion-proof electric tracing belt, which is suitable for single-loop pipeline freezing prevention and process maintenance.
- ◆ The material is aluminum alloy, the surface is sprayed with plastic, the design is beautiful, the installation is quick, the operation is convenient, the performance is reliable, and the service life is long.
- ◆ Used in chemical raw material pipelines, chemical raw material storage tanks, oil production wellhead devices, instrument heat tracing control.

1区& 2区; 21区& 22区

zone1, zone2, zone21, zone22



CN8111-NH(铝合金)机械式防爆温度控制器
CN8111-NH (Aluminum alloy) Mechanical Explosion-proof temperature controller

C 型号释义 Model definition

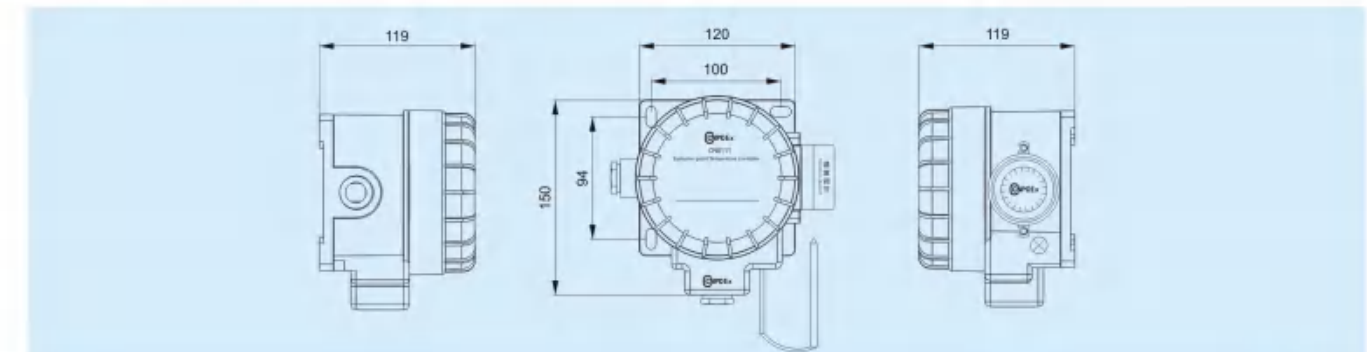
CN8111	NH
防爆温度控制器 Explosion proof temperature controller	外部调温 External temperature regulation

C 技术参数 Technical parameter

CN8111-NH(铝合金)机械式防爆温度控制器
CN8111-NH (Aluminum alloy) Mechanical explosion-proof temperature controller

材质 Texture of material	铝合金 Aluminium alloy	
防爆等级 Ex proof grade	Ⓜ II 2G Ex db IIC T6/T4 Gb Ⓜ II 2D Ex tb IIIC T80°C/T80°C Db	Ex db IIC T6/T4 Gb Ex tb IIIC T80°C/T80°C Db
额定电压 Rated voltage	AC220V/AC110V/AC36V/AC24V	
额定电流 Rated current	20A、30A	
防腐等级 Anticorrosion grade	WF1、WF2	
防护等级 Degree of protection	IP65、IP66	
测温类型 Temperature measurement type	感温探头 Temperature probe	
探头长度 Probe length	1M(长度可定做) 1M (Length can be customized)	
光源类型 Type of light source	红色(绿色需定做) Red (Green to be customized)	
测温量程 Temperature measurement range	0~120°C(其它量程需定做) 0 ~ 120 °C (Other ranges need to be customized)	
负载类型 Load type	电伴热 18×6mm Electric heat tracing 18×6mm	
安装方式 Installation method	管道式 Pipeline type	
引入装置 Lead in device	G1/2"配CN970或CN960 G1 / 2 "with CN970 or CN960	

C 外形尺寸(mm) Overall dimension (mm)





CN810-F
(铸铝)智能温度
控制器

CN810-F
(Cast aluminium) Intelligent
temperature controller



IIC/Ex tb (户外/户内)
控制负载: 电伴热带
IIC / Ex tb (Outdoor / Indoor)
Control load: Electric heating cable

C 产品概述 Product overview

- ◆ CN810-F系列主要是控制电伴热带, 适用于单回路管线防冻和工艺维持。
- ◆ 功能有: 温度报警、远程通讯、DCS信号可上传至控制室进行远程控制;
- ◆ 应用于非防爆区域原料管道、原料储罐罐体、仪器仪表伴热控制。
- ◆ CN810-F Series is mainly used to control electric tracing belt, which is suitable for single loop pipeline freezing and process maintenance.
- ◆ Functions: temperature alarm, remote communication, DCS signal can be uploaded to the control room for remote control;
- ◆ Used in non-explosion-proof area of raw material pipeline, raw material storage tank, instrument and meter heat tracing control.



CN810-F(铸铝)智能温度控制器
CN810-F(Cast aluminium) Intelligent temperature controller

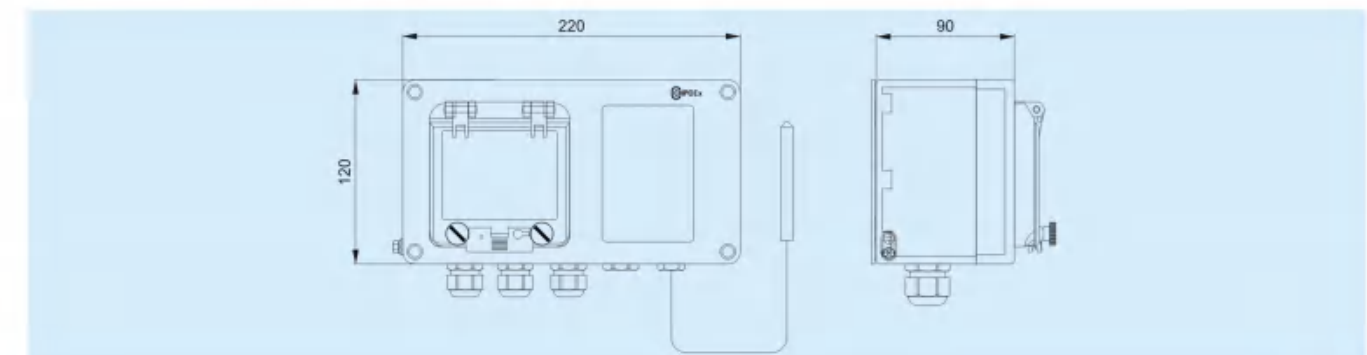
C 型号释义 Model definition

CN810F
智能温度控制器 Intelligent temperature controller

C 技术参数 Technical parameter

CN810-F(铸铝)智能温度控制器 CN810-F(Cast aluminium) Intelligent temperature controller	
材质 Texture of material	铸铝/铝合金/不锈钢 Cast aluminium/aluminum alloy/stainless steel
额定电压 Rated voltage	AC380V/220V
额定电流 Rated current	25A、40A、60A
防腐等级 Anticorrosion grade	WF1、WF2
防护等级 Degree of protection	IP65、IP66
仪表配置 Instrument configuration	CN系列 CN Series
输入类型 Input type	热电阻PT100, 热电偶K型、J型、T型等 Thermal resistance PT100, thermocouple K-type, J-type, T-type, etc
输出类型 Type of output	RS485通讯、4~20mA电流变送 RS485 Communication, 4 ~ 20mA current transmitting
报警类型 Alarm type	传感器断线报警、超温报警 Sensor disconnection alarm and overtemperature alarm
反馈信号 Feedback signal	运行、高低温 Operation, high and low temperature
控制方式 Control mode	一控一路 One control one way
安装方式 Installation method	管道式 Pipeline type
引入装置 Lead in device	G1/2"配CN970或CN960 G1 / 2 "with CN970 or CN960

C 外形尺寸(mm) Overall dimension (mm)





CN8111-F
(铸铝)机械式温
度控制器
CN8111-F
(Cast aluminium)
Mechanical temperature
controller



IIC/Ex tb (户外/户内)
控制负载: 电伴热带
IIC / Ex tb (Outdoor / Indoor)
Control load: Electric heating cable

C 产品概述 Product overview

- ◆ CN8111-F系列主要是控制电伴热带, 适用于单回路管线防冻和工艺维持。
- ◆ 应用于非防爆区域原料管道、原料储蓄罐体、仪器仪表伴热控制。
- ◆ CN8111-F Series is mainly used to control electric tracing belt, which is suitable for single loop pipeline freezing and process maintenance.
- ◆ Used in non-explosion-proof area of raw material pipeline, raw material storage tank, instrument and meter heat tracing control.



CN8111-F(铸铝)机械式温度控制器
CN8111-F (Cast aluminium) Mechanical temperature controller

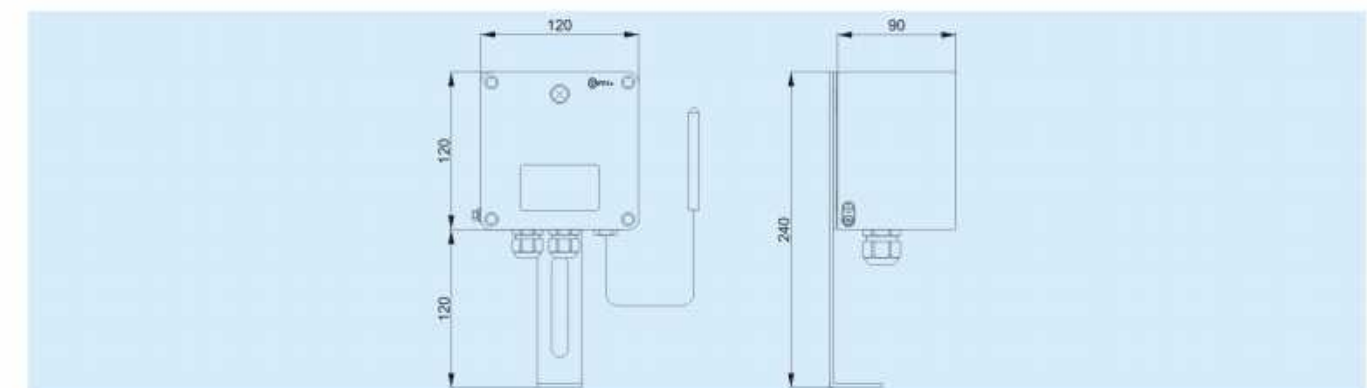
C 型号释义 Model definition

CN8111-F
机械式温度控制器 Mechanical temperature controller

C 技术参数 Technical parameter

CN8111-F(铸铝)机械式温度控制器 CN8111-F(Cast aluminium) Mechanical temperature control distribution box	
材质 Texture of material	铸铝/铝合金 Cast aluminium/aluminum alloy
额定电压 Rated voltage	AC380V/220V
额定电流 Rated current	25A、30A
防腐等级 Anticorrosion grade	WF1、WF2
防护等级 Degree of protection	IP65、IP66
测温类型 Temperature measurement type	感温探头 Temperature probe
探头长度 Probe length	1M(长度可定做) 1M (Length can be customized)
光源类型 Type of light source	红色(绿色需定做) Red (Green to be customized)
测温量程 Temperature measurement range	0~120°C(其它量程需定做) 0 ~ 120 °C (Other ranges need to be customized)
负载类型 Load type	电伴热 18×6mm Electric heat tracing 18×6mm
安装方式 Installation method	管道式 Pipeline type
引入装置 Lead in device	G1/2"配CN970或CN960 G1 / 2 "with CN970 or CN960

C 外形尺寸(mm) Overall dimension (mm)



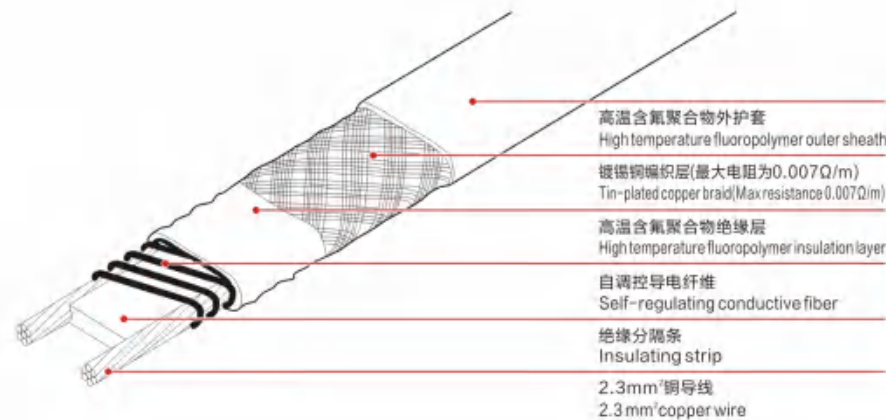
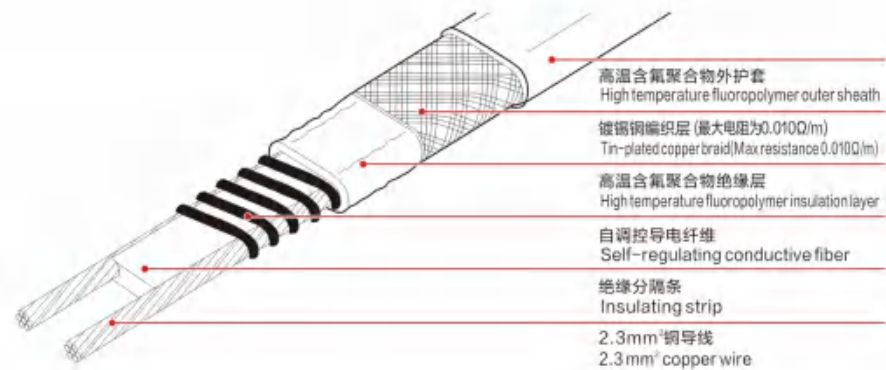


C 产品概述 Product overview

- ◆ CN8100-Z 防爆自控温电热带主要是防冻保温节能环保, 无污染, 安装及运行成本低, 性能稳定, 使用寿命长, 免维护。
- ◆ 应用于化工原料管道、化工原料储罐罐体、采油井口装置、仪器仪表伴热。
- ◆ 适用于爆炸性气体环境1区、2区场所;
- ◆ 适用于可燃性粉尘环境21区、22区场所;
- ◆ 适用于IIA、IIB、IIC类爆炸性气体环境;
- ◆ 适用于T1~T6组温度级别。
- ◆ CN8100-Z Explosion-proof automatic temperature and electric tropical is mainly antifreeze insulation, energy saving and environmental protection, no pollution, low installation and operation cost, stable performance, long service life, maintenance-free.
- ◆ It is used in chemical raw material pipeline, chemical raw material storage tank, oil well head equipment and instrument heat tracing.
- ◆ It is applicable to zone 1 and zone 2 of explosive gas environment;
- ◆ It is suitable for 21 and 22 areas of combustible dust environment;
- ◆ Suitable for IIA, IIB, IIC explosive gas environment;
- ◆ Applicable to temperature levels of T1~T6 group.



C 伴热结构 Heat tracing structure



1区& 2区; 21区& 22区

zone1, zone2, zone21, zone22



C 型号释义 Model definition

CN8100	Z
防爆自控温电热带 Explosion-proof automatic thermoelectric tropical zone	自控温 Self-controlled temperature

C 技术参数 Technical parameter

CN8100-Z 防爆自控温电热带
CN8100-Z Explosion-proof automatic thermoelectric tropical zone

防爆等级 Ex proof grade	Ⓜ II 2G Ex ec IIC T4 Gc
额定电压 Rated voltage	AC380V/AC220V/AC110V/AC36V/AC24V
额定功率 Rated power	10W/m、20W/m、30W/m、40W/m、50W/m、60W/m
防腐等级 Anticorrosion grade	WF2、WF1
防护等级 Degree of protection	IP65、IP66
电缆外径 Cable outer diameter	10~14mm
暴露温度 Exposure temperature	65°C
最低安装温度 Minimum installation temperature	-60°C
最小弯曲半径 Minimum bending radius	20°C时 Time: 13mm; -60°C时 Time: 35mm

C 选配表 Matching table

型号 Model	额定功率(W) Rated power (W)	起始温度(°C) Initial temperature (°C)	C型断路器最大回路长度(m) Maximum circuit length of type C circuit breaker (m)			
			16A	20A	25A	32A
CN8100-Z 低温型 CN8100-Z Low temperature type	9	-20	155	195	200	200
		+10	200	200	200	200
	16	-20	110	140	160	160
		+10	160	160	160	160
25	-20	70	90	110	125	
	+10	110	125	125	125	
29	-20	45	55	70	90	
	+10	65	85	105	110	

型号 Model	额定功率(W) Rated power (W)	起始温度(°C) Initial temperature (°C)	C型断路器最大回路长度(m) Maximum circuit length of type C circuit breaker (m)		
			25A	32A	40A
CN8100-Z 中温型 CN8100-Z Medium temperature type	38	-20	95	115	115
		+10	115	115	115
	51	-20	75	100	100
		+10	95	100	100
64	-20	60	75	95	
	+10	75	95	115	

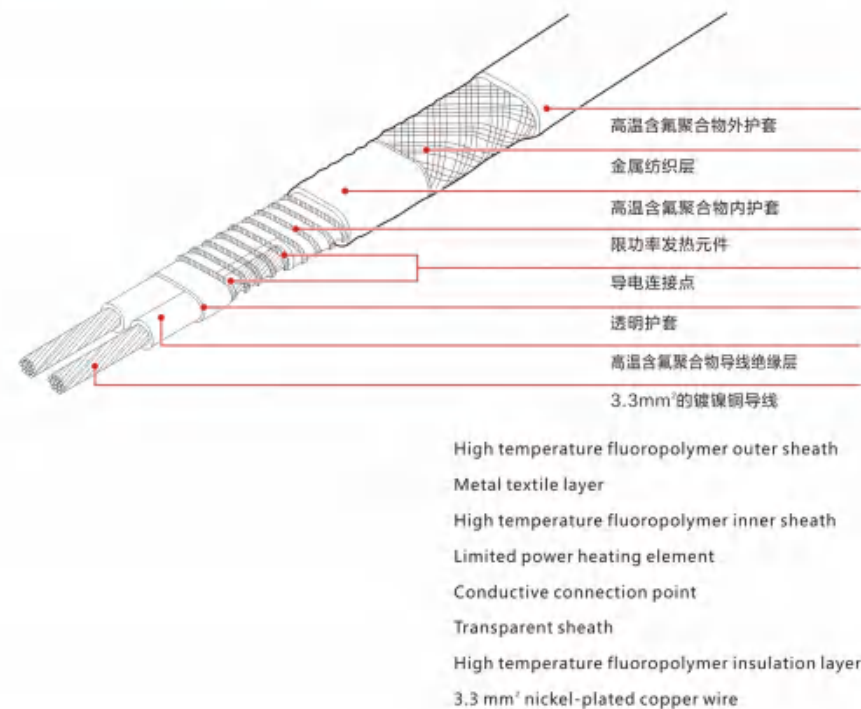
注: 以上是AC220V时在保温管道上的额定输出功率。
Note: the above is the rated output power of AC220 V on the insulation pipe.



C 产品概述 Product overview

- ◆ CN8100-H 防爆并联式恒功率电热带主要是防冻保温和工艺维持,节能环保,无污染,安装及运行成本低,性能稳定,使用寿命长,免维护。
- ◆ 用于要求高功率输出和/或高暴露温度的防冻保护和工艺温度维持。可以提供高达230°C的维持温度,并能承受定期的蒸汽吹扫和断电时高达260°C的暴露温度。
- ◆ 应用于化工原料管道、化工原料储罐罐体、采油井口装置、仪器仪表伴热。
- ◆ 适用于爆炸性气体环境1区、2区场所;
- ◆ 适用于可燃性粉尘环境21区、22区场所;
- ◆ 适用于IIA、IIB、IIC类爆炸性气体环境;
- ◆ 适用于T1~T6组温度级别。
- ◆ CN8100-H Explosion-proof parallel constant power electric tropical is mainly antifreeze insulation and process maintenance, energy saving and environmental protection, no pollution, low installation and operation cost, stable performance, long service life, maintenance-free.
- ◆ It is used for antifreezing prevention and process temperature maintenance requiring high power output and/or high exposure temperatures. It can provide a maintenance temperature up to 230°C and can withstand periodic steam blowing and exposure temperatures of up to 260°C in case of power failure.
- ◆ It is used in chemical raw material pipeline, chemical raw material storage tank, oil well head equipment and instrument heat tracing.
- ◆ It is applicable to zone 1 and zone 2 of explosive gas environment;
- ◆ It is suitable for 21 and 22 areas of combustible dust environment;
- ◆ Suitable for IIA, IIB, IIC explosive gas environment;
- ◆ Applicable to temperature levels of T1~T6 group.

C 伴热结构 Heat tracing structure



1区& 2区; 21区& 22区

zone1, zone2, zone21, zone22



CN8100-H 防爆并联式恒功率电热带
CN8100-H Explosion-proof parallel constant power tropical zone

C 型号释义 Model definition

CN8100	H
防爆并联式恒功率电热带 Explosion-proof parallel constant power tropical zone	恒功率 Constant power

C 技术参数 Technical parameter

CN8100-H 防爆并联式恒功率电热带 CN8100-H Explosion-proof parallel constant power tropical zone	
防爆等级 Ex proof grade	⊕ II 2G Ex ec IIC T4 Gc
额定电压 Rated voltage	AC660V/AC380V/AC220V/AC110V/AC36V/AC24V
额定功率 Rated power	10W/m, 20W/m, 30W/m, 40W/m, 50W/m, 60W/m
防腐等级 Anticorrosion grade	WF2, WF1
防护等级 Degree of protection	IP65, IP66
电缆外径 Cable outer diameter	10~14mm
暴露温度 Exposure temperature	260°C
最低安装温度 Minimum installation temperature	-60°C
最小弯曲半径 Minimum bending radius	20°C时 Time: 13mm; -60°C时 Time: 20mm

C 选配表 Matching table

型号 Model	额定功率(W) Rated power (W)	起始温度(°C) Initial temperature (°C)	C型断路器最大回路长度(m) Maximum circuit length of type C circuit breaker (m)			
			16A	20A	25A	32A
CN8100-H	15	-20	195	220	220	220
		+10	215	220	220	220
	30	-20	100	155	155	155
		+10	110	155	155	155
	45	-20	70	105	130	130
		+10	75	115	130	130
	61	-20	50	80	100	110
		+10	55	100	110	110

注: 以上是AC220V时在保温管道上的额定输出功率。
Note: the above is the rated output power of AC220 V on the insulation pipe.



C 型号释义 Model definition

CN8100-HC
防爆串联式电热带 Explosion-proof series electric tropical zone

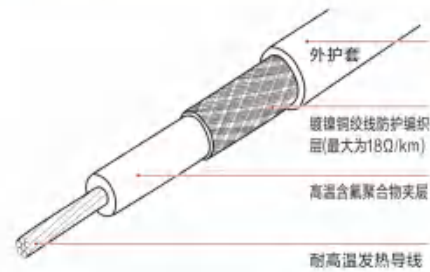
C 技术参数 Technical parameter

CN8100-HC 防爆串联式电热带 CN8100-HC Explosion-proof series electric tropical zone	
防爆等级 Ex proof grade	⊕ II 2G Ex ec IIC T4 Gc
额定电压 Rated voltage	AC660V/AC380V/AC220V/AC110V/AC36V/AC24V
额定功率 Rated power	10W/m、20W/m、30W/m、40W/m、50W/m、60W/m
防腐等级 Anticorrosion grade	WF2、WF1
防护等级 Degree of protection	IP65、IP66
电缆外径 Cable outer diameter	10~14mm
暴露温度 Exposure temperature	65°C
最低安装温度 Minimum installation temperature	-70°C
最小弯曲半径 Minimum bending radius	当伴热线直径6 mm时, 2.5 x伴热线直径 When the diameter of tracing wire is 6 mm, the diameter of tracing wire is 2.5x 当伴热线直径>6 mm时, 6 x伴热线直径 When the diameter of tracing wire is more than 6 mm, the diameter of tracing wire is 6x

C 产品概述 Product overview

- CN8100-HC 防爆串联式电热带是一种聚合物绝缘串联伴热线, 适用于危险区域(ATEX, 气体和灰尘环境)。
- 它设计用于保持管道、储罐和其它设备的温度, 防止它们出现冻结, 节能环保, 无污染, 安装及运行成本低, 性能稳定, 使用寿命长, 免维护。
- 应用于化工原料管道、化工原料储罐罐体、采油井口装置、仪器仪表伴热。
- 适用于爆炸性气体环境1区、2区场所;
- 适用于可燃性粉尘环境21区、22区场所;
- 适用于IIA、IIB、IIC类爆炸性气体环境;
- 适用于T1~T6组温度级别。
- CN8100-HC Explosion-proof series heater is a polymer insulated series heater for use in hazardous areas (ATEX, gas and dust environments).
- It is designed to maintain the temperature of pipes, tanks and other equipment, prevent them from freezing, it's energy saving and environment friendly, with no pollution, low installation and operation cost, stable performance, long service life, and it's maintenance-free.
- It is used in chemical raw material pipeline, chemical raw material storage tank, oil well head equipment and instrument heat tracing.
- It is applicable to zone 1 and zone 2 of explosive gas environment;
- It is suitable for 21 and 22 areas of combustible dust environment;
- Suitable for IIA, IIB, IIC explosive gas environment;
- Applicable to temperature levels of T1~T6 group.

C 伴热结构 Heat tracing structure



Outer sheath
Nickel-plated copper wire protection braiding (Max. 18Ω/km)
High temperature fluoropolymer interlayer
High temperature resistant heating conductor

1区& 2区; 21区& 22区

zone1, zone2, zone21, zone22



C 选配表 Matching table

型号 Model	额标准电阻(Ω/km @20°C) Rated standard resistance (Ω/km @20°C)	温度系数(×10 ⁻³ /K) Temperature coefficient (×10 ⁻³ /K)	外径(mm nom) Outer diameter (mm nom)
CN8100-HC-0.8	0.8	4.3	11.9
CN8100-HC-1.1	1.1	4.3	10.1
CN8100-HC-1.8	1.8	4.3	8.6
CN8100-HC-2.9	2.9	4.3	7.1
CN8100-HC-4.4	4.4	4.3	6.5
CN8100-HC-7	7	4.3	5.9
CN8100-HC-10	10	4.3	5.8
CN8100-HC-11.7	11.7	4.3	5.6
CN8100-HC-15	15	4.3	5.5
CN8100-HC-17.8	17.8	4.3	5.3
CN8100-HC-25	25	3.0	5.5
CN8100-HC-31.5	31.5	1.3	5.9
CN8100-HC-50	50	1.3	5.5
CN8100-HC-65	65	1.3	5.4
CN8100-HC-80	80	0.7	5.7
CN8100-HC-100	100	0.4	5.8
CN8100-HC-150	150	0.4	5.8
CN8100-HC-180	180	0.33	5.6
CN8100-HC-200	200	0.40	5.7
CN8100-HC-320	320	0.18	5.8
CN8100-HC-380	380	0.18	5.7
CN8100-HC-480	480	0.18	5.6
CN8100-HC-600	600	0.18	5.4
CN8100-HC-700	700	0.18	5.4
CN8100-HC-810	810	0.04	5.5
CN8100-HC-1000	1000	0.04	5.4
CN8100-HC-1440	1440	0.04	5.6
CN8100-HC-1750	1750	0.04	5.5
CN8100-HC-2000	2000	0.35	5.8
CN8100-HC-3000	3000	0.35	5.6
CN8100-HC-4000	4000	0.35	5.4
CN8100-HC-4400	4400	0.1	5.5
CN8100-HC-5160	5160	0.1	5.5
CN8100-HC-5600	5600	0.1	5.4
CN8100-HC-7000	7000	0.1	5.4
CN8100-HC-8000	8000	0.1	5.3

电阻误差: -10/-5%;

尤其是那些 < 31.5Ω/km 的伴热线, 导电材料的电阻是温度的函数, 在设计时必须要考虑其变化。

Resistance error: -10 / -5%;

Especially for those tracing wires < 31.5 Ω/km, the resistance of conductive materials is a function of temperature, and its change must be considered in design.



CN8100-MI
防爆矿物绝缘加热电缆

CN8100-MI
Explosion-proof mineral
insulated heating cable



C 产品概述 Product overview

- CN8100-MI 防爆矿物绝缘加热电缆为工业防冻和工艺温度维持提供解决方案。MI伴热线还用于需要高功率输出、高暴露温度、或高耐环境腐蚀能力的应用。节能环保，无污染，安装及运行成本低，性能稳定，使用寿命长，免维护。
- 根据区域等级和设计认证，MI伴热线提供82 W/ft (269 W/m) 的输出功率。
- MI伴热线可将温度最高保持在1022°F (550°C)，伴热线的最高暴露温度为1200°F (650°C)。
- 非危险和危险区域防冻和工艺温度维持。
- 应用于化工原料管道、化工原料储罐罐体、采油井口装置、仪器仪表伴热。
- 适用于爆炸性气体环境1区、2区场所；
- 适用于可燃性粉尘环境21区、22区场所；
- 适用于IIA、IIB、IIC类爆炸性气体环境；
- 适用于T1~T6组温度级别。
- CN8100-MI Explosion-proof mineral insulated heating cable provides solutions for industrial freezing prevention and process temperature maintenance. MI heat tracing lines are also used for applications requiring high power output, high exposure temperatures, or high environmental corrosion resistance. It's energy saving and environment friendly, with no pollution, low installation and operation cost, stable performance, long service life, and it's maintenance-free.
- Based on regional rating and design certification, the MI heat tracing line provides an output power of 82 W/ft (269 W/m).
- MI heat tracing line can maintain a maximum temperature of 1022°F (550°C) and can withstand a maximum exposure temperature of 1200°F (650°C).
- It realizes freeze prevention and process temperature maintenance in non-hazardous and hazardous areas.
- It is used in chemical raw material pipeline, chemical raw material storage tank, oil well head equipment, instrument heat tracing, etc.
- It is applicable to zone 1 and zone 2 of explosive gas environment;
- It is suitable for 21 and 22 areas of combustible dust environment;
- Suitable for IIA, IIB, IIC explosive gas environment;
- Applicable to temperature levels of T1~T6 group.

1区&2区; 21区&22区

zone1, zone2, zone21, zone22



CN8100-MI 防爆矿物绝缘加热电缆
CN8100-MI Explosion-proof mineral insulated heating cable

C 型号释义 Model definition

CN8100-MI	
防爆矿物绝缘加热电缆 Explosion proof mineral insulated heating cable	

C 技术参数 Technical parameter

CN8100-MI 防爆矿物绝缘加热电缆 CN8100-MI Explosion-proof mineral insulated heating cable	
防爆等级 Ex proof grade	Ⓜ II 2G Ex ec IIC T4 Gc
额定电压 Rated voltage	AC660V/AC380V/AC220V
额定功率 Rated power	I 系列 (双芯, 最大300V) 60W/ft (197W/m) I Series (dual core, max300V) 60 W/ft (197W/m)
	II 系列 (单芯, 最大为600V) 64W/ft (210W/m) II Series (single core, 600V maximum) 64W/ft (210W/m)
	III 系列 (双芯, 最大为600V) 82W/ft (269W/m) III Series (dual core, 600V maximum) 82W/ft (269W/m)
防腐等级 Anticorrosion grade	WF2
防护等级 Degree of protection	IP65、IP66
暴露温度 Exposure temperature	650°C 伴热线 650 °C Companion hotline
	550°C 热/冷端线连接和两通 550 °C Hot /Cold end wire connection and two-way connection

C 选配表 Matching table

合金825护套冷端线 Alloy 825 sheathed cold end wire

	冷端线代码 Cold end line code	最大电压(V) Maximum voltage (V)	最大电流(A) Maximum current (A)	格兰尺寸(NPT) Gland size (NPT)	格兰尺寸型号 Gland size model	冷端线尺寸(AWG) Cold end wire size (AWG)
设计A、D、E Design A、D、E	S25A	600	25	1/2"	N12	14
	S23A	300	23	1/2"	N12	14
	S34A	600	34	3/4"	N34	10
	S49A	600	49	3/4"	N34	8
设计B Design B	S65A	600	65	3/4"	N34	6
	S29A	600	29	3/4"	N12	12
	S40A	600	40	1/2"	N12	10
	S48A	600	48	1/2"	N12	8
	S66A	600	66	1/2"	N12	6
	S86A	600	86	1/2"	N12	4



CT系列MI伴热线规格(600V, 单芯) CT Series MI heating wire specifications (600V, single core)

伴热线编号 Heat tracing line No	20℃时电缆额定电阻 Rated resistance of cable at 20 °C		电缆直径 Cable diameter		最大的无接头电缆长度 Maximum jointless cable length	
	Ω/ft	Ω/m	in	mm	ft	m
CTSA2200	2.00	6.56	0.146	3.7	1719	524
CTSA2160	1.60	5.25	0.163	4.1	1400	427
CTSA2130	1.30	4.27	0.160	4.1	1200	366
CTSA2100	1.00	3.28	0.160	4.1	1475	450
CTSA3850	0.850	2.79	0.170	4.3	1166	355
CTSA3700	0.700	2.30	0.160	4.1	1475	450
CTSA3500	0.500	1.64	0.180	4.6	1160	354
CTST3280	0.280	0.919	0.183	4.6	1142	348
CTSB3200	0.200	0.656	0.180	4.6	1160	354
CTSB3150	0.150	0.492	0.180	4.6	1160	354
CTSQ3118	0.118	0.387	0.183	4.6	1060	323
CTSQ4732	0.0732	0.240	0.184	4.7	1070	326
CTSQ4581	0.0581	0.191	0.184	4.7	1100	335
CTSP4467	0.0467	0.153	0.183	4.6	1010	308
CTSP4366	0.0366	0.120	0.184	4.7	1020	311
CTSP4290	0.0290	0.0951	0.184	4.7	1040	317
CTSP4231	0.0231	0.0758	0.184	4.7	1122	342
CTSP4183	0.0183	0.0600	0.184	4.7	1080	329
CTSP4145	0.0145	0.0476	0.184	4.7	1122	342
CTSP4113	0.0113	0.0371	0.186	4.7	1008	307
CTSC5651	0.00651	0.0214	0.87	4.7	1002	305
CTSC5409	0.00409	0.0134	0.191	4.9	962	293
CTSC5258	0.00258	0.00846	0.215	5.5	805	245
CTSC5162	0.00162	0.00531	0.273	6.9	502	153
CTSC5102	0.00102	0.00335	0.253	6.4	592	180
CTSC6640	0.00064	0.00210	0.319	8.1	376	115

CA系列MI伴热线规格(300V, 双芯) CA Series MI tracing wire specification (300V, double core)

伴热线编号 Heat tracing line No	20℃时电缆额定电阻 Rated resistance of cable at 20 °C		电缆直径 Cable diameter		最大的无接头电缆长度 Maximum jointless cable length	
	Ω/ft	Ω/m	in	mm	ft	m
CASF1110	11.0	36.1	0.130	3.3	2170	661
CASF2900	9.0	29.5	0.140	3.6	1900	579
CASF2750	7.5	24.6	0.157	4.0	1510	460
CASA2600	6.00	19.7	0.135	3.4	2040	622
CASA2400	4.00	13.1	0.146	3.7	1775	541
CASA2275	2.75	9.02	0.146	3.7	1775	541
CASA2200	2.00	6.56	0.180	4.6	1160	354
CASA2170	1.70	5.58	0.167	4.2	1010	308
CASB2114	1.14	3.74	0.184	4.7	1147	350
CASB3700	0.700	2.30	0.160	4.1	1475	450
CASQ3472	0.472	1.55	0.183	4.6	1125	343



CA系列MI伴热线规格(300V, 双芯) CA Series MI tracing wire specification (300V, double core)

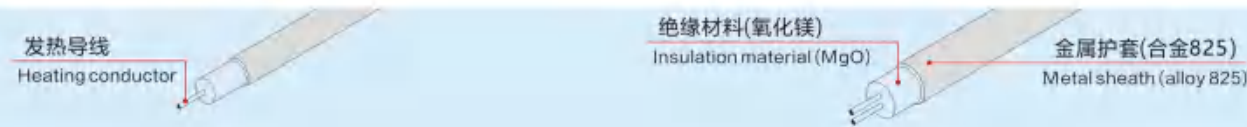
伴热线编号 Heat tracing line No	20℃时电缆额定电阻 Rated resistance of cable at 20 °C		电缆直径 Cable diameter		最大的无接头电缆长度 Maximum jointless cable length	
	Ω/ft	Ω/m	in	mm	ft	m
CASQ3374	0.374	1.23	0.183	4.6	1125	343
CASQ3293	0.293	0.961	0.184	4.7	1122	342
CASQ3200	0.200	0.656	0.146	3.7	1775	541
CASQ3150	0.150	0.492	0.160	4.1	1458	444
CASQ3100	0.100	0.328	0.180	4.6	1160	354
CASP4734	0.0734	0.241	0.184	4.7	1122	342
CASP4583	0.0583	0.191	0.184	4.7	1122	342
CASP4458	0.0485	0.150	0.185	4.7	1110	338
CASC4324	0.0324	0.106	0.184	4.7	1060	323

CN系列MI伴热线规格(600V, 双芯) CN Series MI tracing wire specification (600V, dual core)

伴热线编号 Heat tracing line No	20℃时电缆额定电阻 Rated resistance of cable at 20 °C		电缆直径 Cable diameter		最大的无接头电缆长度 Maximum jointless cable length	
	Ω/ft	Ω/m	in	mm	ft	m
CNSF1110	11.0	36.1	0.215	5.5	718	219
CNSF2900	9.0	29.5	0.215	5.5	820	250
CNSF2600	6.00	19.7	0.215	5.5	820	250
CNSA2414	4.14	13.6	0.239	6.1	665	203
CNSF2200	2.00	6.56	0.245	6.2	580	177
CNST2115	1.15	3.77	0.239	6.1	665	203
CNSB3700	0.700	2.30	0.265	6.7	535	163
CNSQ3505	0.505	1.66	0.234	5.9	640	195
CNSQ3286	0.286	0.938	0.246	6.2	628	191
CNSQ3200	0.200	0.656	0.245	6.2	615	187
CNSQ3150	0.150	0.492	0.245	6.2	630	192
CNSQ3100	0.100	0.328	0.265	6.7	520	158
CNSP4775	0.0775	0.254	0.265	6.7	540	165
CNSP4561	0.0561	0.184	0.278	7.1	480	146
CNSP4402	0.0402	0.132	0.293	7.4	443	135
CNSP4281	0.0281	0.0922	0.312	7.9	390	119
CNSC4200	0.0200	0.0656	0.285	7.2	460	140
CNSC4130	0.0130	0.0427	0.304	7.7	370	113
CNSC5818	0.00818	0.0268	0.331	8.4	345	105
CNSC5516	0.00516	0.0169	0.364	9.2	270	82
CNSC5324	0.00324	0.0106	0.402	10.2	228	69
CNSC5204	0.00204	0.00669	0.496	12.6	151	46
CNSC5128	0.00128	0.00420	0.543	13.8	125	38



G 伴热结构 Heat tracing structure

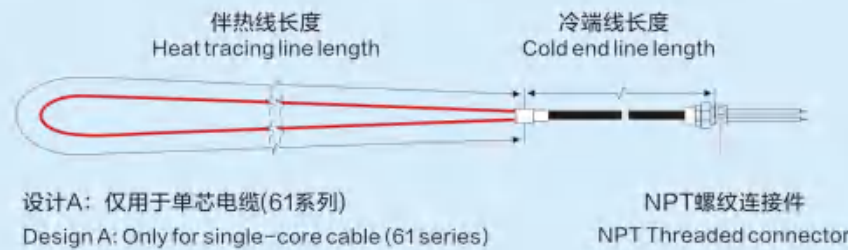


基本的伴热线设计配置
Basic heat tracing line design configuration

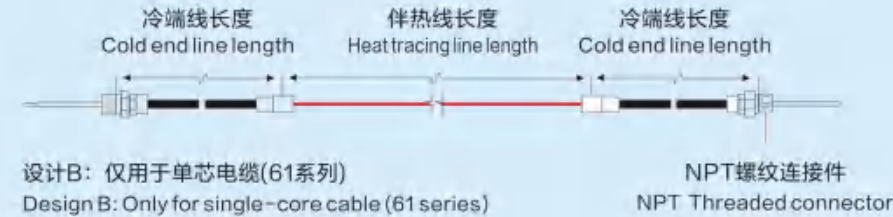
伴热线组件是一套厂家制造的完整组件，由互相连接的一段发热区和非发热区(冷端线)组成，预先进行端接，适合通过1个NPT-螺纹连接件连入接线盒。

The heat tracing line assembly is a manufacturer's complete assembly consisting of an interconnecting heating zone and non-heating zone (cold end). It can be terminated in advance and is suitable for connecting to the junction box through one NPT-threaded connector.

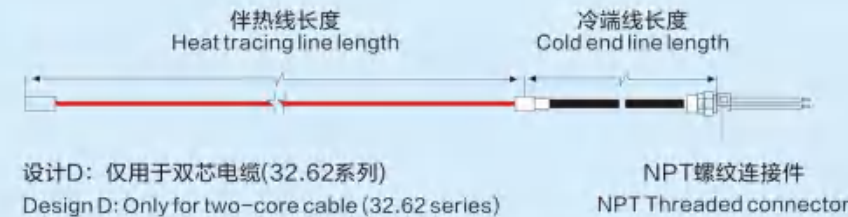
设计A
Design A



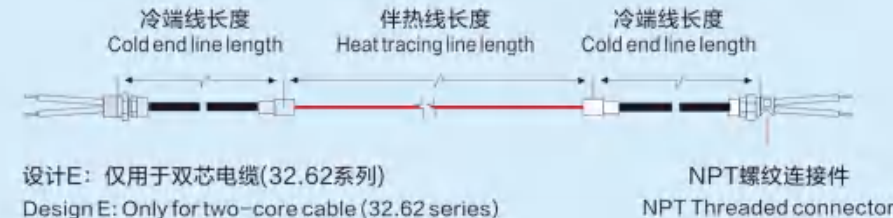
设计B
Design B



设计C
Design C



设计D
Design D

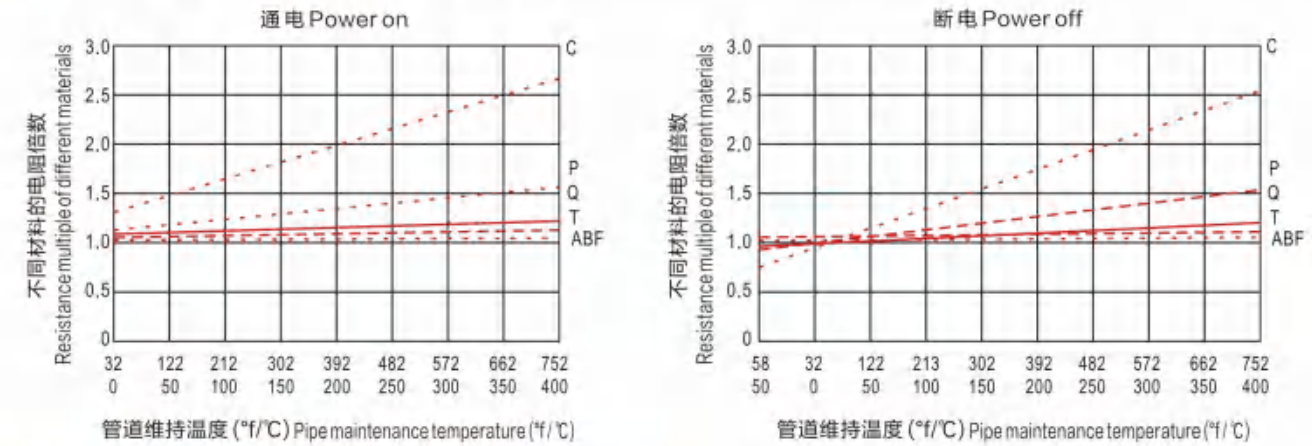


G 接地故障保护 Ground fault protection

- 工业伴热行业要求在所有电缆上都有接地故障保护和接地金属覆盖物，从而将因伴热线安装不正确或遭破坏引起的火灾风险降到最低。
- The industrial heat tracing industry requires that all cables should be provided with grounding fault protection and grounding metal cover, so as to minimize the fire risk caused by incorrect installation or damage of heat tracing wires.

G 电阻校正系数 Resistance correction factor

- 各种导线材料有不同的系数。建议使用下列图标对温度成函数关系的功率和电阻取近似值。关于详细设计，请使用Trace Calc专业设计软件或联系滨特尔工业伴热解决方案获取进一步的帮助。
- Various conductor materials have different coefficients. The following charts are recommended for approximating power and resistance as a function relationship with temperature. For detailed design, please use Trace Calc professional design software or contact Pentair industrial heat tracing solution for further assistance.



G 合金825快速参考指南 Alloy 825 quick reference guide

合金 Alloy	INCOLOY合金825 镍-铁铬 INCONLOY alloy 825 nickel ferrochromium	
描述 Describe	对多种腐蚀物具有优异的耐腐蚀性，抗点状和粒间腐蚀，减少酸和氧化化学品 Excellent corrosion resistance to a variety of corrosive substances, spot and intergranular corrosion resistance reduces acid and oxidizing chemicals	
标准化学成分, % (主要元素) Standard chemical composition, % (major elements)	镍(+钴) Nickel(+Cobalt)	42.0
	铁 Iron	30.0
	铬 Chromium	21.5
	其它 Others	Mo3.0 Cu2.2
导热性 Thermal conductivity Btu-in/ft ² -hr-°F(W/m-C)	70°F(20°C)	77(11.1)
	1500°F(815°C)	164(23.6)
耐高温 High temperature resistance +1000°F(+540°C)	氧气 Oxygen	G-E
	渗碳 Carburization	G-E
耐腐蚀性 Corrosion resistance	硫酸 Sulfuric acid	G-E
	盐酸 Hydrochloric acid	G-E
	氢氧酸 Hydroxic acid	G-E
G-E=良好到优异 G-E= Good to excellent	磷酸 Phosphoric acid	G-E
A=可接受 A=Acceptable	硝酸 Nitric acid	G-E
	有机酸 Organic acid	G-E
NR=不推荐 NR=Not recommended	碱 Alkali	G-E
	盐 Salt	G-E
X=参见具体数据 X=See specific data	海水 Seawater	G-E
	氧气裂解 Oxygen pyrolysis	G-E



C 型号释义 Model definition

CN830	P	M
防爆温度传感器 Explosion proof temperature sensor	P:PT100 K:K型 Type	B:4~20mA(不带可不注) B:4~20mA (Don't need to note if not)

C 技术参数 Technical parameter

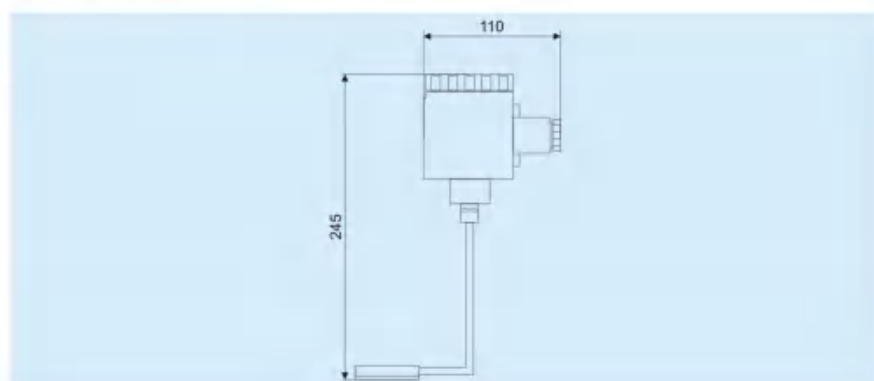
材质 Texture of material	铝合金、不锈钢304 Aluminum alloy, stainless steel 304	工程塑料 Engineering plastic
防爆等级 Ex proof grade	⊕II 2G Ex db IIC T6 Gb ⊕II 2D Ex tb IIIC T80°C Db Ex db IIC T6 Gb Ex tb IIIC T80°C Db	⊕II 2G Ex eb IIC T6 Gb ⊕II 2D Ex tb IIIC T80°C Db Ex eb IIC T6 Gb Ex tb IIIC T80°C Db
防腐等级 Anticorrosion grade	WF1、WF2	
防护等级 Degree of protection	IP65、IP66	
安装方式 Installation method	管道式 Pipeline type	
量程范围 Measuring range	-50~500°C/-45~450°C	
测量精度 Measurement accuracy	A级 德国进口芯片 A-grade German imported chips	
输出信号 Output signal	PT100, K型, J型, 4~20mA变送输出 PT100, K-type, J-type, 4~20mA transmitting output	
电缆引入装置 Cable entry device	M20×1.5配CN970或CN960 M20×1.5 with CN970 or CN960	

C 接线端子 Terminal block

PT 100输出 PT100 output	4~20mA变送输出(无源电压) 4~20mA transmitting output (passive voltage)
三线制 Three-wire system	二线制 Two-wire system
端子螺丝M3 Terminal screw M3	端子螺丝M3 Terminal screw M3



C 外形尺寸(mm) Overall dimension (mm)



1区& 2区; 21区& 22区

zone1, zone2, zone21, zone22



C 型号释义 Model definition

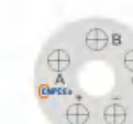
CN830-X	P	M
数显防爆温度传感器 Digital display explosion proof temperature sensor	P:PT100 K:K型 Type	B:4~20mA(不带可不注) B:4~20mA (Don't need to note if not)

C 技术参数 Technical parameter

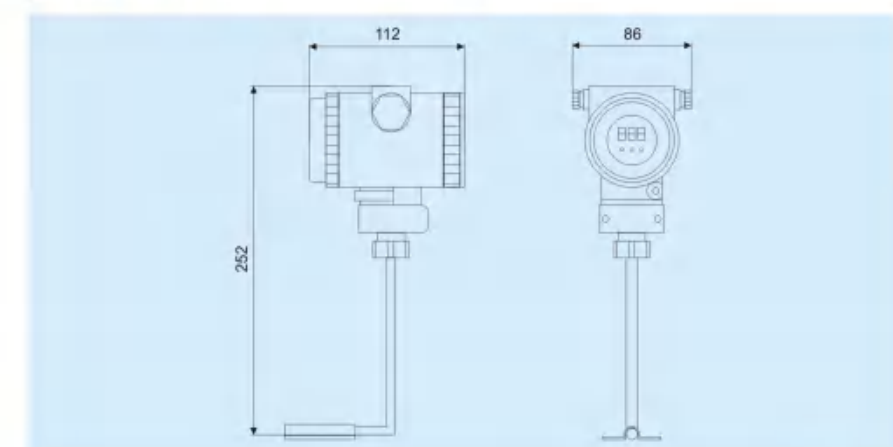
材质 Texture of material	铝合金 Aluminum alloy	
防爆等级 Ex proof grade	⊕II 2G Ex db IIC T6 Gb ⊕II 2D Ex tb IIIC T80°C Db	Ex db IIC T6 Gb Ex tb IIIC T80°C Db
防腐等级 Anticorrosion grade	WF1、WF2	
防护等级 Degree of protection	IP65、IP66	
安装方式 Installation method	管道式 Pipeline type	
量程范围 Measuring range	-50~500°C/-45~450°C	
测量精度 Measurement accuracy	A级 德国进口芯片 A-grade German imported chips	
输出信号 Output signal	PT100, K型, J型, 4~20mA变送输出 PT100, K-type, J-type, 4~20mA transmitting output	
电缆引入装置 Cable entry device	G1/2"配CN970或CN960 G1/2" with CN970 or CN960	

C 接线端子 Terminal block

4~20mA变送输出(无源电压) 4~20mA transmitting output (passive voltage)
二线制 Two-wire system
端子螺丝M3 Terminal screw M3

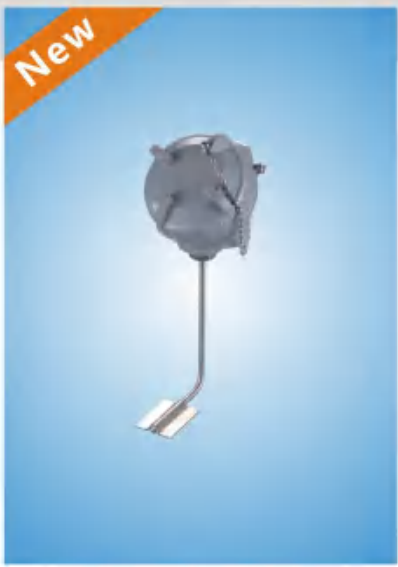


C 外形尺寸(mm) Overall dimension (mm)



1区& 2区; 21区& 22区

zone1, zone2, zone21, zone22



C 型号释义 Model definition

CN830-T	P	M
防爆温度传感器 Explosion proof temperature sensor	P:PT100 K:K型 Type	B:4~20mA(不带可不注) B:4~20mA(Don't need to note if not)

C 技术参数 Technical parameter

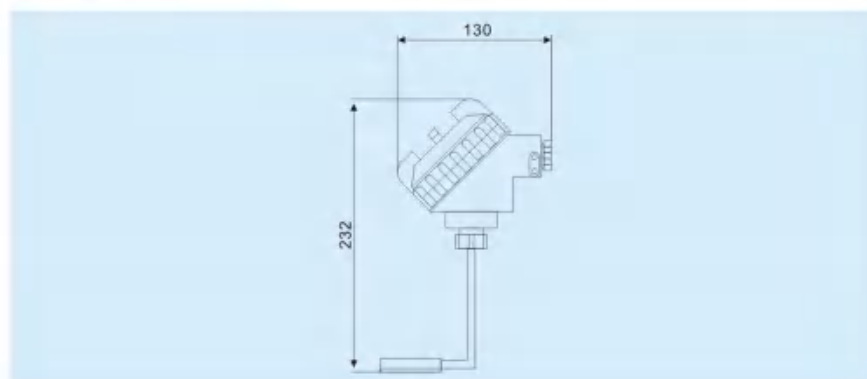
材质 Texture of material	铝合金、不锈钢304、工程塑料 Aluminum alloy, stainless steel 304, engineering plastics
防爆等级 Ex proof grade	⊕II 2G Ex eb IIC T6 Gb ⊕II 2D Ex tb IIIC T80°C Db Ex eb IIC T6 Gb Ex tb IIIC T80°C Db
防腐等级 Anticorrosion grade	WF1、WF2
防护等级 Degree of protection	IP65、IP66
安装方式 Installation method	管道式 Pipeline type
量程范围 Measuring range	-50~500°C/-45~450°C
测量精度 Measurement accuracy	A级 德国进口芯片 A-grade German imported chips
输出信号 Output signal	PT100, K型, J型, 4~20mA变送输出 PT100, K-type, J-type, 4~20mA transmitting output
电缆引入装置 Cable entry device	M20×1.5配CN970或CN960 M20×1.5 with CN970 or CN960

C 接线端子 Terminal block

PT 100输出 PT100 output	4~20mA变送输出(无源电压) 4~20mA transmitting output (passive voltage)
三线制 Three-wire system	二线制 Two-wire system
端子螺丝M3 Terminal screw M3	端子螺丝M3 Terminal screw M3



C 外形尺寸(mm) Overall dimension (mm)



1区& 2区; 21区& 22区
zone1, zone2, zone21, zone22



C 型号释义 Model definition

CN830-S	P	M
防爆温度传感器 Explosion proof temperature sensor	P:PT100 K:K型 Type	B:4~20mA(不带可不注) B:4~20mA(Don't need to note if not)

C 技术参数 Technical parameter

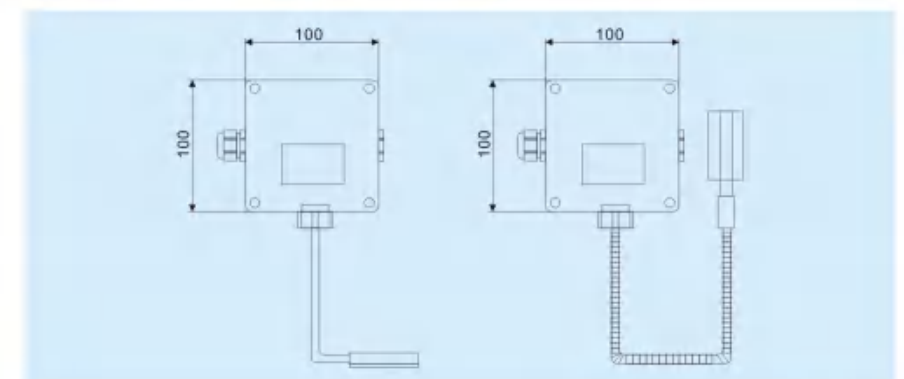
材质 Texture of material	工程塑料 Engineering plastic
防爆等级 Ex proof grade	⊕II 2G Ex ib IIC T1...T6 Gb ⊕II 2D Ex ib IIIC T80°C...T440°C Db
防腐等级 Anticorrosion grade	WF1、WF2
防护等级 Degree of protection	IP65、IP66
安装方式 Installation method	管道式 Pipeline type
量程范围 Measuring range	-50~500°C/-45~450°C
测量精度 Measurement accuracy	A级 德国进口芯片 A-grade German imported chips
输出信号 Output signal	PT100, K型, J型, 4~20mA变送输出 PT100, K-type, J-type, 4~20mA transmitting output
电缆引入装置 Cable entry device	G1/2"配CN970或CN960 G1/2" with CN970 or CN960

C 接线端子 Terminal block

4~20mA变送输出(无源电压) 4~20mA transmitting output (passive voltage)
二线制 Two-wire system
端子螺丝M3 Terminal screw M3



C 外形尺寸(mm) Overall dimension (mm)



1区& 2区; 21区& 22区
zone1, zone2, zone21, zone22



C 型号释义 Model definition

CN850	100
防爆电源接线盒 Explosion proof power junction box	管道式 Pipeline type

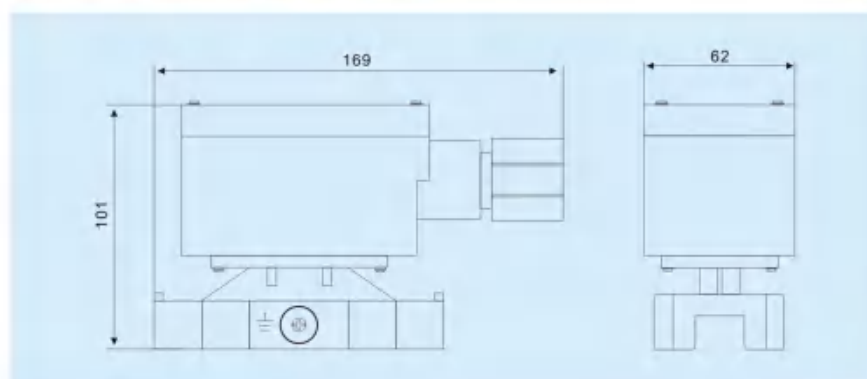
C 技术参数 Technical parameter

材质 Texture of material	工程塑料 Engineering plastic	
防爆等级 Ex proof grade	⊕II 2G Ex eb IIC T6/T4 Gb ⊕II 2D Ex tb IIIC T80°C/T130°C Db	Ex eb IIC T6/T4 Gb Ex tb IIIC T80°C/T130°C Db
防腐等级 Anticorrosion grade	WF2	
防护等级 Degree of protection	IP65、IP66	
安装方式 Installation method	管道式 Pipeline type	
额定电压 Rated voltage	AC380V/220V	
额定电流 Rated current	30A/60A	
出线范围 Outgoing line range	电伴热带18×6(mm) Electric heating cable 18×6 (mm)	
进线数量 Number of incoming lines	一进 Once in	
电缆引入装置 Cable entry device	G3/4"配CN970或CN960 G3/4"with CN970 or CN960	

C 选配表 Matching table

型号 Model	箱体尺寸(mm) Box size (mm)	进线数量 Number of incoming lines	出线数量 Number of outgoing lines	端子规格 Terminal specification	端子数量 Number of terminals
CN850-100	169×100×62	1	2	铜件 Copper parts	2+PE

C 外形尺寸(mm) Overall dimension (mm)



1区& 2区; 21区& 22区

zone1, zone2, zone21, zone22



C 型号释义 Model definition

CN850	120Z
防爆电源接线盒 Explosion proof power junction box	立柱式 Column type

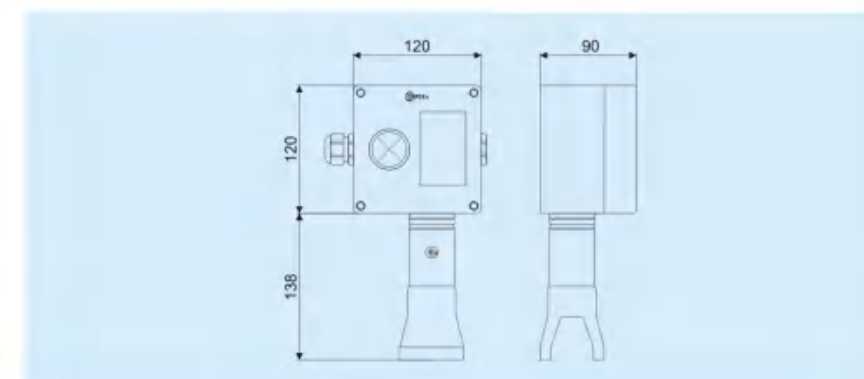
C 技术参数 Technical parameter

材质 Texture of material	工程塑料 Engineering plastic	
防爆等级 Ex proof grade	⊕II 2G Ex eb IIC T6/T4 Gb ⊕II 2D Ex tb IIIC T80°C/T130°C Db	Ex eb IIC T6/T4 Gb Ex tb IIIC T80°C/T130°C Db
防腐等级 Anticorrosion grade	WF2	
防护等级 Degree of protection	IP65、IP66	
安装方式 Installation method	立柱式 Column type	
额定电压 Rated voltage	AC380V/220V	
额定电流 Rated current	30A/60A	
出线范围 Outgoing line range	电伴热带18×6(mm) Electric heating cable 18×6 (mm)	
进线数量 Number of incoming lines	一进、二进 One in, two in	
指示灯 Indicator light	带灯需定制(红色、绿色) Customized if it needs light (red, green)	
电缆引入装置 Cable entry device	G3/4"配CN970或CN960 G3/4"with CN970 or CN960	

C 选配表 Matching table

型号 Model	箱体尺寸(mm) Box size (mm)	进线数量 Number of incoming lines	出线数量 Number of outgoing lines	端子规格 Terminal specification	端子数量 Number of terminals
CN850-120Z	120×120×90	1	1	UK-10N	2+PE
CN850-120Z	120×120×90	2	1	UK-10N	2+PE
CN850-120Z	160×160×90	1	1	UK-10N	2+PE
CN850-120Z	160×160×90	2	1	UK-10N	2+PE
CN850-120Z	160×160×90	3	1	UK-10N	2+PE
CN850-120Z	220×130×90	3	2	UK-10N	4+PE

C 外形尺寸(mm) Overall dimension (mm)



1区& 2区; 21区& 22区

zone1, zone2, zone21, zone22



C 型号释义 Model definition

CN850	120Z
防爆电源接线盒 Explosion proof power junction box	支架式 Bracket type

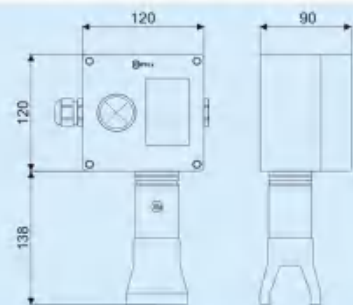
C 技术参数 Technical parameter

材质 Texture of material	铝合金 Aluminum alloy
防爆等级 Ex proof grade	⊕II 2G Ex eb IIC T6/T4 Gb Ex eb IIC T6/T4 Gb ⊕II 2D Ex tb IIIC T80°C/T130°C Db Ex tb IIIC T80°C/T130°C Db
防腐等级 Anticorrosion grade	WF2
防护等级 Degree of protection	IP65、IP66
安装方式 Installation method	支架式 Bracket type
额定电压 Rated voltage	AC380V/220V
额定电流 Rated current	30A/60A
出线范围 Outgoing line range	电伴热带18×6(mm) Electric heating cable 18×6 (mm)
进线数量 Number of incoming lines	一进、二进 One in, two in
指示灯 Indicator light	带灯需定制(红色、绿色) Customized if it needs light (red, green)
电缆引入装置 Cable entry device	G3/4"配CN970或CN960 G3/4"with CN970 or CN960

C 选配表 Matching table

型号 Model	箱体尺寸(mm) Box size (mm)	进线数量 Number of incoming lines	出线数量 Number of outgoing lines	端子规格 Terminal specification	端子数量 Number of terminals
CN850-120Z	120×120×90	1	1	UK-10N	2+PE
CN850-120Z	120×120×90	2	1	UK-10N	2+PE
CN850-120Z	160×160×90	1	1	UK-10N	2+PE
CN850-120Z	160×160×90	2	1	UK-10N	2+PE
CN850-120Z	160×160×90	3	1	UK-10N	2+PE
CN850-120Z	220×130×90	3	2	UK-10N	4+PE

C 外形尺寸(mm) Overall dimension (mm)



1区& 2区; 21区& 22区

zone1, zone2, zone21, zone22



C 型号释义 Model definition

CN850	130CT
防爆电源接线盒 Explosion proof power junction box	支架式 Bracket type

C 技术参数 Technical parameter

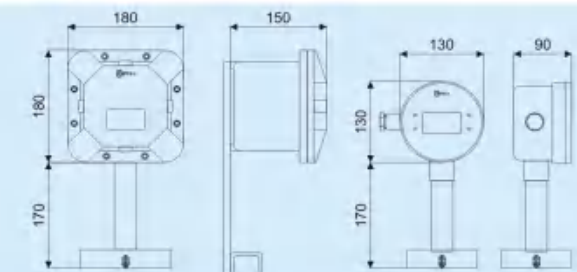
材质 Texture of material	铝合金 Aluminum alloy
防爆等级 Ex proof grade	⊕II 2G Ex eb IIC T6/T4 Gb Ex eb IIC T6/T4 Gb ⊕II 2D Ex tb IIIC T80°C/T130°C Db Ex tb IIIC T80°C/T130°C Db
防腐等级 Anticorrosion grade	WF2
防护等级 Degree of protection	IP65、IP66
安装方式 Installation method	支架式 Bracket type
额定电压 Rated voltage	AC380V/220V
额定电流 Rated current	30A/60A
出线范围 Outgoing line range	电伴热带18×6(mm) Electric heating cable 18×6 (mm)
进线数量 Number of incoming lines	一进、二进 One in, two in
指示灯 Indicator light	带灯需定制(红色、绿色) Customized if it needs light (red, green)
电缆引入装置 Cable entry device	G3/4"配CN970或CN960 G3/4"with CN970 or CN960

C 选配表 Matching table

型号 Model	箱体尺寸(mm) Box size (mm)	进线数量 Number of incoming lines	出线数量 Number of outgoing lines	端子规格 Terminal specification	端子数量 Number of terminals
CN850-130CT	180×180×130	1	1	UK-10N	2+PE
CN850-130CT	180×180×130	2	1	UK-10N	4+PE
CN850-130CT	220×180×130	3	2	UK-10N	2+PE

型号 Model	箱体尺寸(mm) Box size (mm)	进线数量 Number of incoming lines	出线数量 Number of outgoing lines	端子规格 Terminal specification	端子数量 Number of terminals
CN850-130CT	180×180×130	1	1	UK-10N	2+PE
CN850-130CT	180×180×130	2	2	UK-10N	4+PE
CN850-130CT	240×240×180	3	2	UK-10N	6+PE
CN850-130CT	240×240×180	4	2	UK-10N	6+PE

C 外形尺寸(mm) Overall dimension (mm)



1区& 2区; 21区& 22区

zone1, zone2, zone21, zone22



C 型号释义 Model definition

CN870	2
防爆接线盒 Explosion proof junction box	二通 Two-way

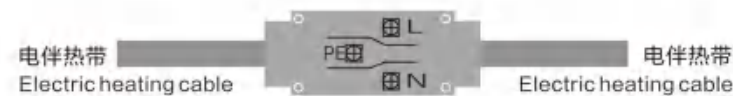
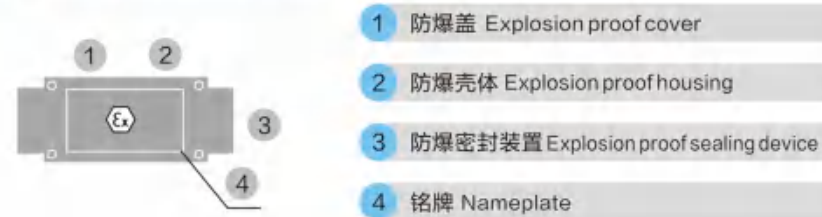
C 技术参数 Technical parameter

材质 Texture of material	工程塑料 Engineering plastic	
防爆等级 Ex proof grade	⊕II 2G Ex eb IIC T4/T6 Gb ⊕II 2D Ex tb IIIC T130°C/T80°C Db	Ex eb IIC T4/T6 Gb Ex tb IIIC T130°C/T80°C Db
防腐等级 Anticorrosion grade	WF2	
防护等级 Degree of protection	IP67	
额定电压 Rated voltage	AC380V/220V	
额定电流 Rated current	40A/20A	
出线范围 Outgoing line range	电伴热带18×6(mm) Electric heating cable 18×6 (mm)	
进线数量 Number of incoming lines	一进一出 One in and one out	
外形尺寸 Dimensions	125×55×33(mm)	

C 产品概述 Product overview

- ◆ CN870-2 主要用于自限温伴热带两通接线，安装时固定在管道上，外面设有保温层，接线附件放置盒内。
- ◆ 本产品可在气体防爆和粉尘防爆区域，同样适用非防爆区域。
- ◆ CN870-2 is mainly used for two-way wiring of self limiting temperature tracing band. It is fixed on the pipeline during installation, and the outside is equipped with a protective tube temperature layer, wiring accessories placed in the box.
- ◆ This product can be used in gas explosion-proof and dust explosion-proof area, also suitable for non-explosion-proof area.

C 外形尺寸(mm) Overall dimension (mm)



1区& 2区; 21区& 22区

zone1, zone2, zone21, zone22



C 型号释义 Model definition

CN870	3
防爆接线盒 Explosion proof junction box	三通 Three-way

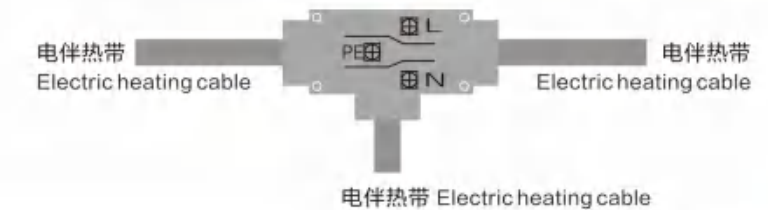
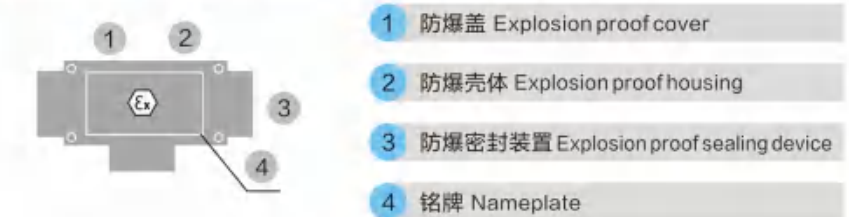
C 技术参数 Technical parameter

材质 Texture of material	工程塑料 Engineering plastic	
防爆等级 Ex proof grade	⊕II 2G Ex eb IIC T4/T6 Gb ⊕II 2D Ex tb IIIC T130°C/T80°C Db	Ex eb IIC T4/T6 Gb Ex tb IIIC T130°C/T80°C Db
防腐等级 Anticorrosion grade	WF2	
防护等级 Degree of protection	IP67	
额定电压 Rated voltage	AC380V/220V	
额定电流 Rated current	40A/20A	
出线范围 Outgoing line range	电伴热带18×6(mm) Electric heating cable 18×6 (mm)	
进线数量 Number of incoming lines	一进一出 One in and one out	
外形尺寸 Dimensions	125×68×41(mm)	

C 产品概述 Product overview

- ◆ CN870-3 主要用于自限温伴热带三通接线，安装时固定在管道上，外面设有保温层，接线附件放置盒内。
- ◆ 本产品可在气体防爆和粉尘防爆区域，同样适用非防爆区域。
- ◆ CN870-3 is mainly used for three-way wiring of self limiting temperature tracing band, which is fixed on the pipeline during installation, and is equipped with insulation layer and wiring accessories are placed in the box.
- ◆ This product can be used in gas explosion-proof and dust explosion-proof area, also suitable for non-explosion-proof area.

C 外形尺寸(mm) Overall dimension (mm)



1区& 2区; 21区& 22区

zone1, zone2, zone21, zone22



C 型号释义 Model definition

CN870	X-100
防爆尾端盒 Explosion proof end box	I型 Type I

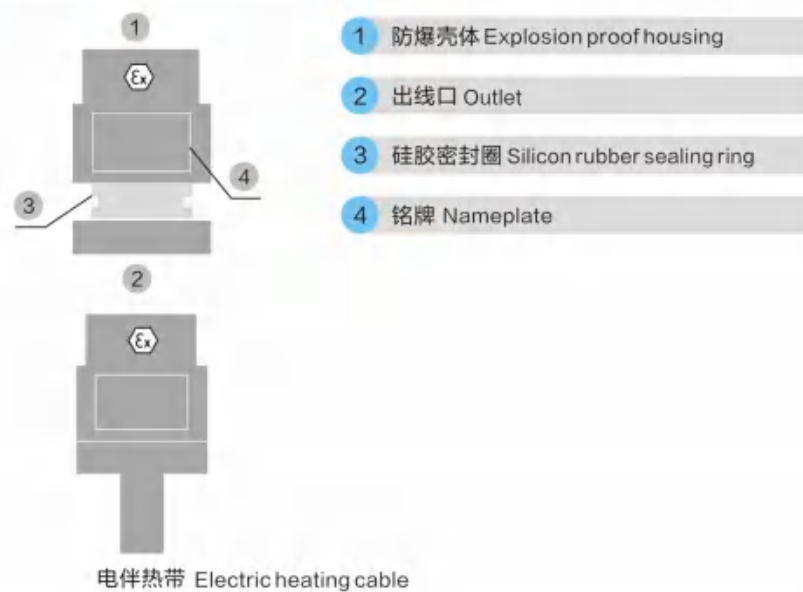
C 技术参数 Technical parameter

材质 Texture of material	工程塑料 Engineering plastic	
防爆等级 Ex proof grade	⊕II 2G Ex eb IIC Gb ⊕II 2D Ex tb IIIC Db	Ex eb IIC Gb Ex tb IIIC Db
防腐等级 Anticorrosion grade	WF2	
防护等级 Degree of protection	IP67	
额定电压 Rated voltage	AC380V/220V	
出线范围 Outgoing line range	电伴热带18×6(mm) Electric heating cable 18×6 (mm)	
外形尺寸 Dimensions	65×51×23(mm)	

C 产品概述 Product overview

- ◆ CN870-X-100主要用于伴热带尾端密封，安装时固定在管道上，外面设有保温层，接线附件放置盒内。
- ◆ 本产品可用在气体防爆和粉尘防爆区域，同样适用非防爆区域。
- ◆ CN870-X-100 is mainly used for sealing the end of heat tracing belt, which is fixed on the pipe during installation, with insulation layer outside, and wiring accessories are placed in the box.
- ◆ This product can be used in gas explosion-proof and dust explosion-proof area, also suitable for non-explosion-proof area.

C 外形尺寸(mm) Overall dimension (mm)



C 型号释义 Model definition

CN870	X-200
防爆尾端盒 Explosion proof end box	II型 Type II

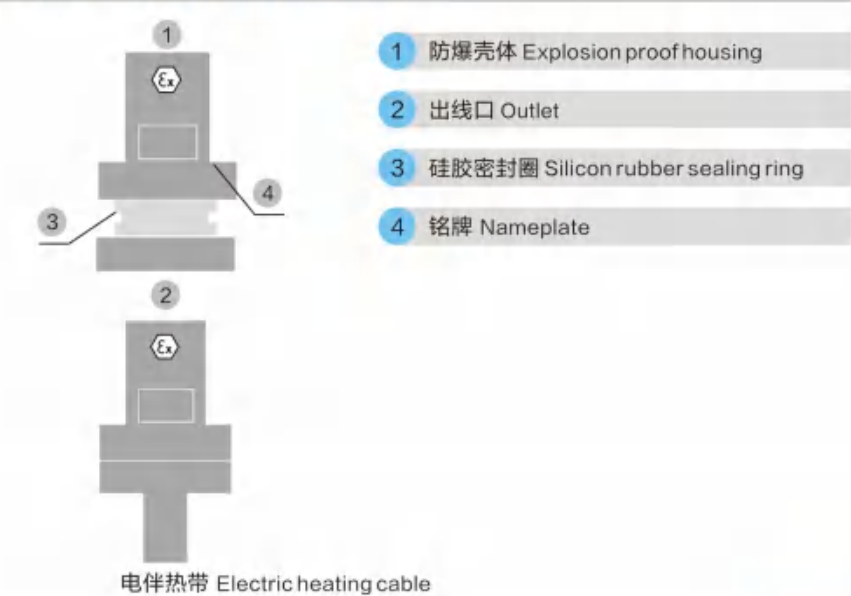
C 技术参数 Technical parameter

材质 Texture of material	工程塑料 Engineering plastic	
防爆等级 Ex proof grade	⊕II 2G Ex eb IIC Gb ⊕II 2D Ex tb IIIC Db	Ex eb IIC Gb Ex tb IIIC Db
防腐等级 Anticorrosion grade	WF2	
防护等级 Degree of protection	IP67	
额定电压 Rated voltage	AC380V/220V	
出线范围 Outgoing line range	电伴热带18×6(mm) Electric heating cable 18×6 (mm)	
外形尺寸 Dimensions	65×51×23(mm)	

C 产品概述 Product overview

- ◆ CN870-X-200主要用于伴热带尾端密封，安装时固定在管道上，外面设有保温层，接线附件放置盒内。
- ◆ 本产品可用在气体防爆和粉尘防爆区域，同样适用非防爆区域。
- ◆ CN870-X-200 is mainly used for sealing the end of heat tracing belt, which is fixed on the pipe during installation, with insulation layer outside, and wiring accessories are placed in the box.
- ◆ This product can be used in gas explosion-proof and dust explosion-proof area, also suitable for non-explosion-proof area.

C 外形尺寸(mm) Overall dimension (mm)





C 型号释义 Model definition

CN870	X-100	X-200
防爆尾端盒 Explosion proof end box	I型 Type I	II型 Type II

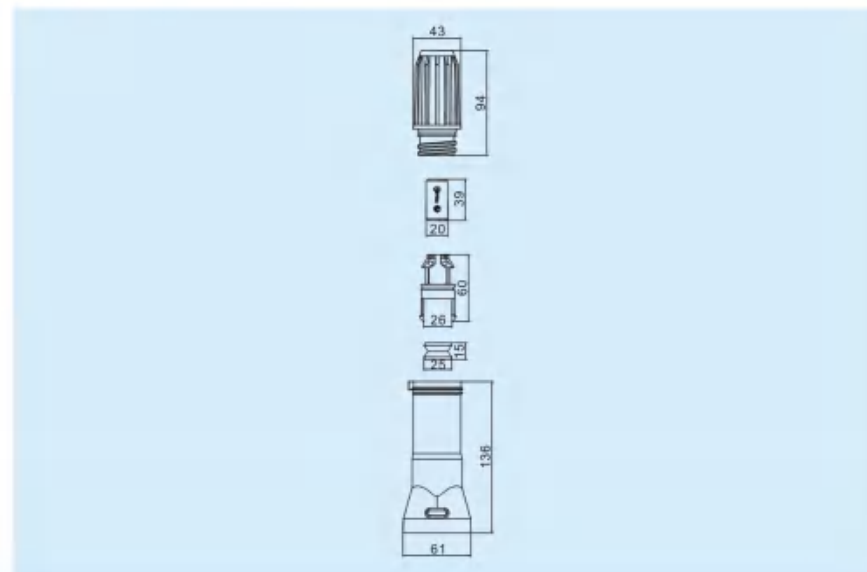
C 技术参数 Technical parameter

材质 Texture of material	工程塑料 Engineering plastic	
防爆等级 Ex proof grade	⊕II 2G Ex eb IIC Gb ⊕II 2D Ex tb IIIC Db	Ex eb IIC Gb Ex tb IIIC Db
防腐等级 Anticorrosion grade	WF2	
防护等级 Degree of protection	IP67	
额定电压 Rated voltage	AC380V/220V	
出线范围 Outgoing line range	电伴热带18×6(mm) Electric heating cable 18×6 (mm)	
外形尺寸 Dimensions	61×210(mm)	

C 产品概述 Product overview

- ◆ CN870-X主要用于伴热带尾端密封，安装时固定在管道上，外面设有保温层，接线附件放置盒内。
- ◆ 本产品可用在气体防爆和粉尘防爆区域，同样适用非防爆区域。
- ◆ CN870-X is mainly used for sealing the end of heat tracing belt, which is fixed on the pipe during installation, with insulation layer outside, and wiring accessories are placed in the box.
- ◆ This product can be used in gas explosion-proof and dust explosion-proof area, also suitable for non-explosion-proof area.

C 外形尺寸(mm) Overall dimension (mm)



1区& 2区; 21区& 22区

zone1, zone2, zone21, zone22



C 型号释义 Model definition

CN870-F
密封尾端 Sealing end

C 技术参数 Technical parameter

材质 Texture of material	硅橡胶(耐高温) Silicone rubber (temperature resistant)
耐温 Temperature resistance	-65~+240℃
防腐等级 Anticorrosion grade	WF2
防护等级 Degree of protection	IP67
进线范围 Incoming line range	18×6(mm)
外形尺寸 Dimensions	39×19×13(mm)

C 产品概述 Product overview

- ◆ CN870-F主要用于伴热带尾端密封，密封防潮设计，使用寿命长，性能稳定，免维护，安装时固定在管道上。
- ◆ 本产品可用在气体防爆和粉尘防爆区域，同样适用非防爆区域。
- ◆ CN870-F is mainly used for sealing the end of heat tracing belt, the sealing is of moisture-proof design, it has long service life and stable performance and is maintenance-free, and it's fixed on the pipeline during installation.
- ◆ This product can be used in gas explosion-proof and dust explosion-proof area, also suitable for non-explosion-proof area.

C 外形尺寸(mm) Overall dimension (mm)



1区& 2区; 21区& 22区

zone1, zone2, zone21, zone22



C 型号释义 Model definition

CN880	DL
防爆尾端装置 Explosion-proof end devices	LED光源 LED light source

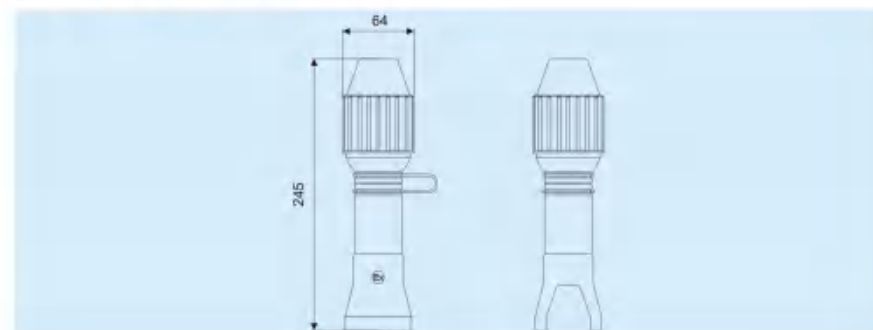
C 技术参数 Technical parameter

材质 Texture of material	工程塑料 Engineering plastic	
防爆等级 Ex proof grade	Ex II 2G Ex eb mb IIC Gb Ex II 2D Ex tb IIIC Db	Ex eb mb IIC Gb Ex tb IIIC Db
防腐等级 Anticorrosion grade	WF2	
防护等级 Degree of protection	IP67	
安装方式 Installation method	立柱式 Column type	
额定电压 Rated voltage	180~245V 50Hz	
功耗 Power waste	3W	
颜色 Color	红色、绿色 Red, Green	
光源种类 Type of light source	LED	
高度 Height	218mm	
外径 Outer diameter	70mm	
进线范围 Incoming line range	18×6(mm)	

C 产品概述 Product overview

- ◆ CN880-DL主要用于伴热带尾端密封，通电时有工作信号指示，采用先进的LED光源防潮设计，并且在任何角度都可以观察到信号光，使用寿命长，性能稳定，免维护，安装时固定在管道上，外面设有保温层，接线附件放置盒内。
- ◆ 本产品可在气体防爆和粉尘防爆区域，同样适用非防爆区域。
- ◆ CN880-DL is mainly used for sealing the end of heat tracing belt. There's working signal indicating when the power is on. It adopts the advanced moisture-proof design for LED light source, and the signal light can be observed at any angle. It owns long service life and stable performance and is maintenance-free, it's fixed on the pipe during installation with insulation layer outside, and wiring accessories are placed in the box.
- ◆ This product can be used in gas explosion-proof and dust explosion-proof area, also suitable for non-explosion-proof area.

C 外形尺寸(mm) Overall dimension (mm)



1区&2区; 21区&22区
zone1, zone2, zone21, zone22

CN-TL
系列智能温度控制器

CN-TL
Series intelligent temperature
controller



- ◆ 控制输出，高低温报警
- ◆ 模拟量变送输出
- ◆ RS485通讯
- ◆ 低温环境使用
- ◆ Control output, high and low temperature alarm
- ◆ Analog quantity transmission output
- ◆ RS485 communication
- ◆ Use in low temperature environment

C 产品概述 Product overview

- ◆ CN-TL系列数字式温度控制器主要用在电伴热和加热器回路中使用，具有高低温报警、继电器控制输出、模拟量变送输出、采用MODBUS RTU协议，支持RS485通讯协议、多种类型的输入方式，输入、输出、电源、通讯采用光电隔离技术，参数设定密码锁码，设定参数断电永久保存。
- ◆ CN-TL Series digital temperature controller is mainly used in the electric heat tracing and heater circuit, with high and low temperature alarm, relay control output and analog quantity output, it adopts MODBUS RTU agreement, supports RS485 communication protocol and various types of input mode, the input, output, power supply and communication uses photoelectric isolation technology, parameter can be set with coded lock, the setting parameters are permanently saved when power off.

C 技术参数 Technical parameter

产品型号 Product model	CN-TL-A/B-0101-R/T-A/G
外形尺寸 Dimensions	48×48(mm)、72×72(mm)、48×96(mm)
电源电压 Supply voltage	A: AC85~220V 50/60Hz D: AC24V 50/60Hz DC24V
供电电压 Supply voltage	额定电源电压的85%~110% 85%~110% Of rated supply voltage
功耗 Power dissipation	在AC100~240V时最大6.6VA，在AC24时最大4VA、DC24时最大2.3W Maximum 6.6VA when AC100~240V, maximum 4VA when AC24, 2.3W maximum when DC24
测量精度 Measurement accuracy	0.3级 Grade 0.3



G 工作环境 Work environment

使用环境温度 Operating ambient temperature	-40~+55℃(无结露或无结冰) -40~+55℃ (No condensation or freezing)
使用环境湿度 Humidity of working environment	25%~85%
存储温度 Storage temperature	-25~+65℃(无结露或无结冰) -25~+65℃ (No condensation or freezing)
海拔高度 Altitude	2000m以下 Below 2000m
设置环境 Environment	II类过电压、2级污染 Class II overvoltage, pollution degree 2

G 功能 Function

传感器输入 Sensor input	温度输入 Temperature input	热电偶: K, J, E, L, U, N, R, S, T, B, W或PLII Thermocouple: K, J, E, L, U, N, R, S, T, B, W or PLII 铂电阻测温体: PT100或JPT100 Platinum resistance thermometer: PT100 or JPT100 线外线温度传感器(ESIB): 10~70℃、60~120℃、115~165℃、140~260℃ Out of line temperature senso(ESIB): 10~70℃, 60~120℃, 115~165℃, 140~260℃
	模拟量输入 Analog input	电流输入: 4~20mA, 0~20mA Current input: 4~20mA, 0~20mA 电压输入: 1~5V, 0~5V, 0~10V Voltage input: 1~5V, 0~5V, 0~10V
控制方式 Control mode		ON/OFF控制或PID(带自动调解) ON/OFF Control or PID (with auto tuning)
ON/OFF 输出 ON/OFF output	继电器输出 Relay output	SPST-NO, AC250V, 5A(电阻负载) SPST-NO, AC250V, 5A (resistive load) 电气寿命: 100000次操作 Electrical life: 100000 operations 最小负载: 5V, 10mA(参考值) Minimum load: 5V, 10mA (reference value)
	电压输出 (SSR驱动用) Voltage output (for SSR drive)	输出电压: DC12V, 最大负载电流: 40mA, 带短路保护电路(具有2点控制输出的型号的最大负载电流为20mA) Output voltage: DC12V, maximum load current: 40mA, with short circuit protection Circuit (maximum load current 20mA for models with 2-point control output)
	线性电流输出 Linear current output	DC4~20mA, DC0~20mA 负载: 500Ω, 分辨率: 10000 Load: 500Ω, Resolution: 10000
辅助输出 Auxiliary output	输出点数 Output points	0或2(因型号而异) 0 or 2 (depending on model)
	输出规格 Output specification	SPST-NO继电器输出, AV250V, 3A(电阻负载) SPST-NO relay output, AV250V, 3A (resistive load) 电气寿命: 100000次操作 Electrical life: 100000 operations 最小可用负载: 5V, 10mA(参考值) Minimum available load: 5V, 10mA (reference value)
输出 Output		4~20mA电流变送输出、RS485通讯 4~20mA current transmitting output, RS485 communication

G 订货须知 Ordering instructions

- 可根据客户需求设计不同的温控器功能, 详细参数见说明书
- Different thermostat functions can be designed according to customer needs, detailed parameters are shown in the manual



CN-TK
系列智能温度控制器

CN-TK
Series intelligent temperature
controller



- 工作电压显示
- 电流显示及过流保护
- 红外遥控进行设置参数
- 参数设置为中文易懂, 操作快捷
- Working voltage display
- Current display and over current protection
- Set parameters by infrared remote control
- The parameter setting is easy to understand and operate in chinese

G 产品概述 Product overview

- CN-TK系列数字式温度控制器是我公司自主研发的新型产品, 主要用在电伴热和加热器回路中使用, 具有工作电压显示、电流显示及过流保护、仪表参数可通过红外遥控进行设置参数, 高低温报警、继电器控制输出、模拟量变送输出、采用MODBUS RTU协议, 支持RS485通讯协议、多种类型的输入方式, 输入、输出、电源、通讯采用光电隔离技术, 参数设置为中文易懂, 操作快捷。
- CN-TK Series digital temperature controller is a new product independently developed by our company, mainly used in the electric heat tracing and heater circuit, with working voltage and current display and over current protection, the instrument parameters can be set through the infrared remote control, it owns high and low temperature alarm, relay control output and analog quantity output, it adopts MODBUS RTU agreement, supports RS485 communication protocol and various types of input mode, the input, output, power supply and communication uses photoelectric isolation technology, parameters are set in chinese which is easy to understand and fast to operate.

G 技术参数 Technical parameter

产品型号 Product model	CN-TK-A/B-0101-R/T-A/G
外形尺寸 Dimensions	72×72(mm)
电源电压 Supply voltage	A: AC85~220V 50/60Hz
供电电压 Supply voltage	额定电源电压的85%~110% 85%~110% Of rated supply voltage
功耗 Power dissipation	在AC100~240V时最大6.6VA, 在AC24时最大4VA, DC24时最大2.3W Maximum 6.6VA when AC100~240V, maximum 4VA when AC24, 2.3W maximum when DC24
电流量程 Current range	30A、50A、100A、150A、250A、300A、400A
测量精度 Measurement accuracy	0.3级 Grade 0.3



G 工作环境 Work environment

使用环境温度 Operating ambient temperature	-40~+55℃(无结露或无结冰) -40~+55℃ (No condensation or freezing)
使用环境湿度 Humidity of working environment	25%~85%
存储温度 Storage temperature	-25~+65℃(无结露或无结冰) -25~+65℃ (No condensation or freezing)
海拔高度 Altitude	2000m以下 Below 2000m
设置环境 Environment	II类过电压、2级污染 Class II overvoltage, pollution degree 2

G 功能 Function

传感器输入 Sensor input	温度输入 Temperature input	热电偶: K, J, E, L, U, N, R, S, T, B, W或PLII Thermocouple: K, J, E, L, U, N, R, S, T, B, W or PLII 铂电阻测温体: PT100或JPT100 Platinum resistance thermometer: PT100 or JPT100 线外线温度传感器(ESIB): 10~70℃、60~120℃、115~165℃、140~260℃ Out of line temperature sensor (ESIB): 10~70℃, 60~120℃, 115~165℃, 140~260℃
	模拟量输入 Analog input	电流输入: 4~20mA, 0~20mA Current input: 4~20mA, 0~20mA 电压输入: 1~5V, 0~5V, 0~10V Voltage input: 1~5V, 0~5V, 0~10V
控制方式 Control mode		ON/OFF控制或PID(带自动调解) ON/OFF Control or PID (with auto tuning)
ON/OFF 输出 ON/OFF output	继电器输出 Relay output	SPST-NO, AC250V, 5A(电阻负载) SPST-NO, AC250V, 5A (resistive load) 电气寿命: 100000次操作 Electrical life: 100000 operations 最小负载: 5V, 10mA(参考值) Minimum load: 5V, 10mA (reference value)
	电压输出 (SSR驱动用) Voltage output (for SSR drive)	输出电压: DC12V, 最大负载电流: 40mA, 带短路保护电路(具有2点控制输出 的型号的最大负载电流为20mA) Output voltage: DC12V, maximum load current: 40mA, with short circuit protection Circuit (maximum load current 20mA for models with 2-point control output)
	线性电流输出 Linear current output	DC4~20mA, DC0~20mA 负载: 500Ω, 分辨率: 10000 Load: 500Ω, Resolution: 10000
辅助输出 Auxiliary output	输出点数 Output points	0或2(因型号而异) 0 or 2 (depending on model)
	输出规格 Output specification	SPST-NO继电器输出, AV250V, 3A(电阻负载) SPST-NO relay output, AV250V, 3A (resistive load) 电气寿命: 100000次操作 Electrical life: 100000 operations 最小可用负载: 5V, 10mA(参考值) Minimum available load: 5V, 10mA (reference value)
输出 Output		4~20mA电流变送输出、RS485通讯 4~20mA current transmitting output, RS485 communication

G 订货须知 Ordering instructions

- 可根据客户需求设计不同的温控器功能, 详细参数见说明书
- Different thermostat functions can be designed according to customer needs, detailed parameters are shown in the manual



CN1000
系列多通道智能温度
控制器
CN1000
Series multi channel intelligent
temperature controller



- 界面采用LED彩屏设计, 800×480分辨率
- 16路通道模块化设计, 易于维修
- 温度、电流、漏电电流信号采集
- Pt100断线报警、温度控制器故障报警
- 采用MODBUS RTU协议, 支持RS485通讯协议
- 温度控制器可与上位机远程通讯
- 动态画面显示、数据设定、历史曲线、存盘记录、报表打印功能。
- Interface adopts LED color screen design, 800 × 480 resolution
- 16 channel modular design, easy to maintain
- Signal acquisition of temperature, current and leakage current
- Alarm of Pt100 disconnection and fault of temperature controller
- Adopt MODBUS RTU protocol, support RS485 communication protocol
- The temperature controller can communicate with the upper computer remotely
- Dynamic picture display, data setting, history curve, save records and report printing functions.

G 产品概述 Product overview

- CN1000系列多通道智能温度控制器是一款升级后功能强大的温度控制器, 支持温度、电流、漏电电流信号采集, 主要用在电伴热和加热器回路中使用, 具有高低温报警、继电器控制输出、模拟量变送输入、Pt100断线报警、温度控制器故障报警、采用MODBUS RTU协议, 支持RS485通讯协议、多种类型的输入方式, 输入、输出、电源、通讯采用光电隔离技术, 参数设置为中文易懂, 操作快捷。
- 温度控制器可与上位机通讯, 远程进行参数设置和监控, 配合工控软件使用, 可完成动态画面显示、数据设定、历史曲线、存盘记录、报表打印功能。
- CN1000 Series multi-channel intelligent temperature controller is an upgraded temperature controller with powerful functions, which supports the acquisition of temperature, current and leakage current signals. It is mainly used in electric heat tracing and heater circuits. With high and low temperature alarm, relay control output, analog variable input, Pt100 wire disconnection alarm, temperature controller fault alarm, it adopts MODBUS RTU agreement, supports RS485 communication protocol and various types of input mode, the input, output, power supply and communication uses photoelectric isolation technology, parameters are set in chinese which is easy to understand and fast to operate.
- The temperature controller can communicate with the upper computer to set and monitor parameters remotely. With the use of industrial control software, it can complete the functions of dynamic screen display, data setting, historical curve, disk recording and report printing.

G 工作环境 Work environment

使用环境温度 Operating ambient temperature	-40~+55℃(无结露或无结冰) -40~+55℃ (No condensation or freezing)
使用环境湿度 Humidity of working environment	25%~85%
存储温度 Storage temperature	-25~+65℃(无结露或无结冰) -25~+65℃ (No condensation or freezing)
海拔高度 Altitude	2000m以下 Below 2000m
设置环境 Environment	II类过电压、2级污染 Class II overvoltage, pollution degree 2

G 技术参数 Technical parameter

产品型号 Product model	CN1000-R/T-A/G
外形尺寸 Dimensions	185×154×156(mm)
电源电压 Supply voltage	AC100~240V 50/60Hz
电流量程 Current range	30A、50A、100A、150A、250A、300A、400A
控制精度 Control accuracy	±1℃
温度范围 Temperature range	-70℃~+480℃
控制回路 Control loop	8路、12路、16路 8way, 12way, 16way

G 功能 Function

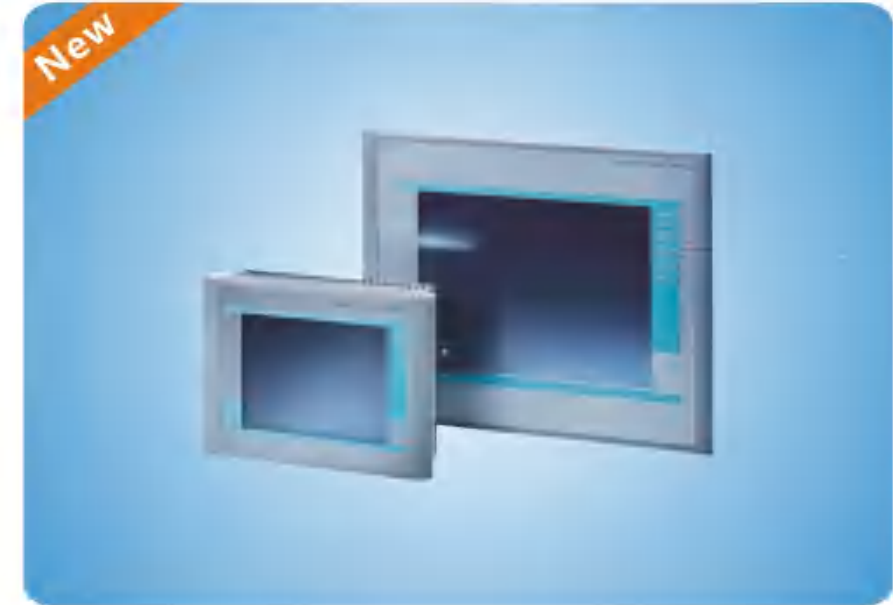
传感器输入 Sensor input	温度输入 Temperature input	热电偶: K, J, E, L, U, N, R, S, T, B, W或PLII Thermocouple: K, J, I, E, L, U, N, R, S, T, B, W or PLII 铂电阻测温: PT100或JPT100 Platinum resistance thermometer: PT100 or JPT100 线外线温度传感器(ESIB): 10~70℃、60~120℃、115~165℃、140~260℃ Out of line temperature senso(ESIB): 10~70℃, 60~120℃, 115~165℃, 140~260℃
	模拟量输入 Analog input	电流输入: 4~20mA、0~20mA Current input: 4~20mA, 0~20mA 电压输入: 1~5V、0~5V、0~10V Voltage input: 1~5V, 0~5V, 0~10V
控制方式 Control mode		ON/OFF控制或PID(带自动调解) ON/OFF Control or PID (with auto tuning)
ON/OFF 输出 ON/OFF output	继电器输出 Relay output	SPST-NO, AC250V, 5A(电阻负载) SPST-NO, AC250V, 5A (resistive load) 电气寿命: 100000次操作 Electrical life: 100000 operations 最小负载: 5V, 10mA(参考值) Minimum load: 5V, 10mA (reference value)
	电压输出 (SSR驱动用) Voltage output (for SSR drive)	输出电压: DC12V, 最大负载电流: 40mA, 带短路保护电路(具有2点控制输出 的型号的最大负载电流为20mA) Output voltage: DC12V, maximum load current: 40mA, with short circuit protection Circuit (maximum load current 20mA for models with 2-point control output)
	线性电流输出 Linear current output	DC4~20mA、DC0~20mA 负载: 500Ω, 分辨率: 10000 Load: 500Ω, Resolution: 10000
辅助输出 Auxiliary output	输出规格 Output specification	SPST-NO继电器输出, AV250V, 3A(电阻负载) SPST-NO relay output, AV250V, 3A (resistive load) 电气寿命: 100000次操作 Electrical life: 100000 operations 最小可用负载: 5V, 10mA(参考值) Minimum available load: 5V, 10mA (reference value)
输出 Output		RS485通讯 RS485 Communication

G 订货须知 Ordering instructions

- 可根据客户需求设计不同的温控器功能, 详细参数见说明书
- Different thermostat functions can be designed according to customer needs, detailed parameters are shown in the manual

CN2000 系列PLC编程智能温度 控制器

CN2000
Series PLC programming
intelligent temperature
controller



- 操控软件可定制各种逻辑功能
- 界面采用LED彩屏设计, 触摸及按键操作
- 48路通道模块化设计, 易于维修
- 温度、电流、漏电电流信号采集
- Pt100 断线报警、温度控制器故障报警
- 采用MODBUS RTU协议, 支持RS485通讯协议
- 温度控制器可与上位机远程通讯
- 动态画面显示、数据设定、历史曲线、存盘记录、报表打印功能。
- The control software can customize various logic functions
- The interface adopts LED color screen design, touch and key operation
- Modular design of 48 channels, easy to maintain
- Signal acquisition of temperature, current and leakage current
- Alarm of Pt100 disconnection and fault of temperature controller
- Adopt MODBUS RTU protocol, support RS485 communication protocol
- The temperature controller can communicate with the upper computer remotely
- Dynamic picture display, data setting, history curve, save records and report printing functions.

G 产品概述 Product overview

- CN2000系列PLC智能温度控制器是一款根据工艺要求编程的控制器, 控制回路最多可达48路, 通过模块的组合支持温度、电流、漏电电流信号采集、开关状态显示, 主要用在电伴热和加热器回路中使用, 具有高低温报警、继电器控制输出、模拟量变送输入、Pt100断线报警、温度控制器故障报警、采用MODBUS RTU协议, 支持RS485通讯协议、多种类型的输入方式, 输入、输出、电源、通讯采用光电隔离技术, 参数设置为中文易懂, 操作快捷。
- 温度控制器可与上位机通讯, 远程进行参数设置和监控, 配合工控软件使用, 可完成动态画面显示、数据设定、历史曲线、存盘记录、报表打印功能。
- CN2000 Series PLC intelligent temperature controller is a controller designed for processing requirement with control circuits up to 48 circuits, which supports the acquisition of temperature, current and leakage current signals and switch state through modules. It is mainly used in electric heat tracing and heater circuits. With high and low temperature alarm, relay control output, analog variable input, Pt100 wire disconnection alarm, temperature controller fault alarm, it adopts MODBUS RTU agreement, supports RS485 communication protocol and various types of input mode, the input, output, power supply and communication uses photoelectric isolation technology, parameters are set in chinese which is easy to understand and fast to operate.
- The temperature controller can communicate with the upper computer to set and monitor parameters remotely. With the use of industrial control software, it can complete the functions of dynamic screen display, data setting, historical curve, disk recording and report printing.

G 工作环境 Work environment

使用环境温度 Operating ambient temperature	-40~+55℃(无结露或无结冰) -40~+55℃ (No condensation or freezing)
使用环境湿度 Humidity of working environment	25%~85%
存储温度 Storage temperature	-25~+65℃(无结露或无结冰) -25~+65℃ (No condensation or freezing)
海拔高度 Altitude	2000m以下 Below 2000m
设置环境 Environment	II类过电压、2级污染 Class II overvoltage, pollution degree 2

G 技术参数 Technical parameter

产品型号 Product model	CN2000-R/T-A/G	
电源电压 Supply voltage	AC220V/DC24V 50Hz	
电流量程 Current range	30A、50A、100A、150A、250A、300A、400A	
控制精度 Control accuracy	±1℃	
温度范围 Temperature range	-70℃~+480℃	
硬件组成 Hardware composition	显示屏 Display	7寸 7Inches
	CPU	8路、12路、16路、24路、36路、48路 8way, 2way, 16way, 24way, 36way, 48way
	数字模块 Digital module	DI/DO
	模拟量模块 Analog module	AI(2路、4路、8路) AI (2way, 4way, 8way)
	输入模块 Input module	RTD(2路、4路、8路)、热电偶: K、J(4路、8路) RTD (2way, 4way, 8way), thermocouple: K, J (4way, 8way)
数据存储 Data storage	125G/256G	

G 功能 Function

传感器输入 Sensor input	温度输入 Temperature input	热电偶: K、J Thermocouple: K, J 铂电阻测温体: PT100 Platinum resistance thermometer: PT100
	模拟量输入 Analog input	电流输入: 4~20mA Current input: 4~20mA
控制方式 Control mode		ON/OFF控制 ON/OFF control
ON/OFF 输出 Output	继电器输出 Relay output	SPST-NO, AC250V, 5A(电阻负载) SPST-NO, AC250V, 5A (resistive load) 电气寿命: 100000次操作 Electrical life: 100000 operations 最小负载: 5V, 10mA(参考值) Minimum load: 5V, 10mA (reference value)
辅助输出 Auxiliary output	输出规格 Output specification	SPST-NO继电器输出, AV250V, 3A(电阻负载) SPST-NO relay output, AV250V, 3A (resistive load) 电气寿命: 100000次操作 Electrical life: 100000 operations 最小可用负载: 5V, 10mA(参考值) Minimum available load: 5V, 10mA (reference value)
输出 Output		RS485通讯 RS485 Communication

G 订货须知 Ordering instructions

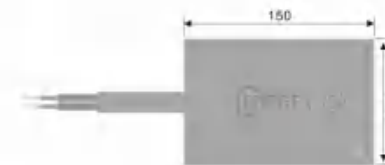
- ◆ 可根据客户需求设计不同的温控器功能, 详细参数见说明书
- ◆ Different thermostat functions can be designed according to customer needs, detailed parameters are shown in the manual

CN-MK
系列硅胶加热板
CN-MK
Series silicone heating plate

- ◆ 控制箱柜内使用, 空间加热, 仪表低温时能正常工作
- ◆ 配合柜内温控器使用
- ◆ It can be used to heat the space in the control box, the instrument can work normally at low temperature
- ◆ Used with the temperature controller in the cabinet

G 外形尺寸(mm)
Overall dimension (mm)

- ◆ 可根据功率定制各用各种尺寸。
- ◆ Can be customized according to the power of various sizes.



G 产品概述 Product overview

- ◆ CN-MK系列硅胶加热板可以实现柜内防冻或除湿的功能, 预防因漏电或电阻器件腐蚀, 确保安全操作。
- ◆ 具有特殊结构, 能提供多种型号的尺寸适用各种场所。
- ◆ CN-MK Series silica gel heating plate can realize the function of anti-freezing or dehumidification in the cabinet, prevent leakage or resistor corrosion, ensuring safe operation.
- ◆ With special structure, it can provide a variety of sizes for various places.

G 产品结构 Product mix

- ◆ 加热板有一板薄硫化阳极铝板、硅铜玻纤垫以及内置发热元件组成。按内置双重层开关限定加热板表面温度在+30℃~+100℃。
- ◆ The heating plate is composed of vulcanized aluminum plate, silicon copper glass fiber pad and built-in heating element. The surface temperature of the heating plate is limited from +30℃ to +100℃ according to the built-in double-layer switch.

G 特点 Characteristic

- ◆ 耐腐蚀
- ◆ 散热均匀
- ◆ 可随意安装
- ◆ 体积紧凑, 节省空间
- ◆ Corrosion resistance
- ◆ Uniform heat dissipation
- ◆ Can be installed at will
- ◆ Compact size saves space

G 额定电压 Rated voltage

工作电压 Working voltage	AC100V AC220V AC380V	约0.65W/cm ² 最大2W/cm ² About 0.65w/cm ² Maximum 2W/cm ²
-------------------------	----------------------------	---

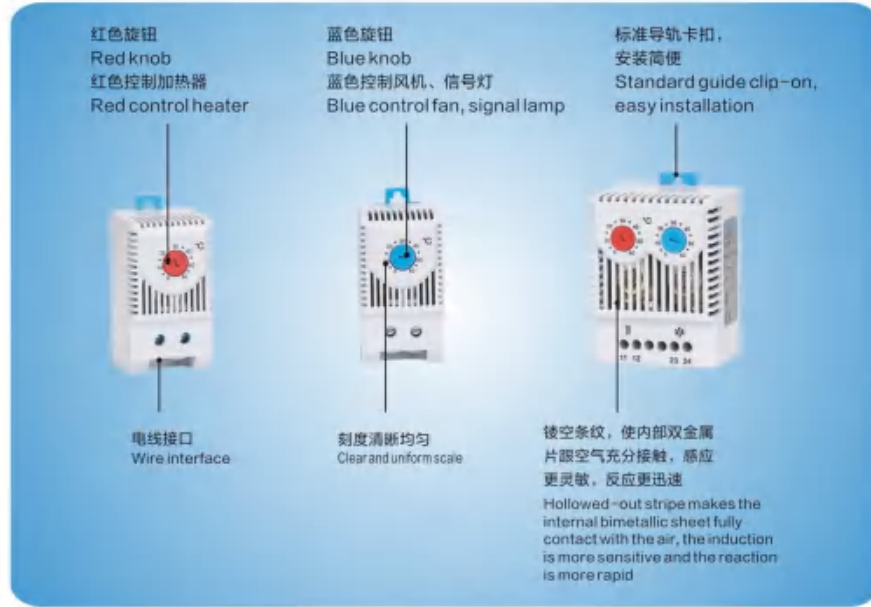
G 固定方法 Fixation method

- ◆ 加热器带有双面胶, 可随意粘贴或用夹板固定。
- ◆ The heater is equipped with double-sided adhesive tape, which can be pasted or fixed with splint at will.



CN-ML 系列机柜温度控制器

CN-ML Series cabinet temperature controller



- ◆ 控制箱柜内使用, 控制加热板
- ◆ 配合柜内硅胶加热板使用
- ◆ It is used in the control cabinet to control the heating plate
- ◆ Use with silica gel heating plate in cabinet

C 产品概述 Product overview

- ◆ CN-ML系列机柜温度控制器是控制配电柜内部加热和除湿的开关, 三款产品可供选择, I型: 加热型, II型: 除湿型, III型: 加热除湿双用型。
- ◆ 导轨式安装, 体积小, 性能稳定, 外观设计美观。
- ◆ CN-ML Series cabinet temperature controller is the switch that controls the internal heating and dehumidification of distribution cabinet. There are three types of products for choice: Type I: heating type, Type II: dehumidification type, Type III: heating and dehumidification dual use type.
- ◆ Guide rail type installation, small volume, stable performance, beautiful appearance design.

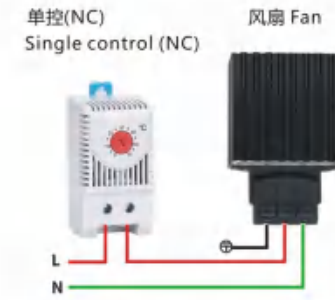
C 技术参数 Technical parameter

工作电压 Working voltage	工作电流 Working current	温度范围 Temperature range	开关触头 Switch contact
AC220V	10A	0~+60℃ 10~+50℃ 20~+80℃	NO NC NO+NC



CN-ML 系列机柜温度控制器 CN-ML Series cabinet temperature controller

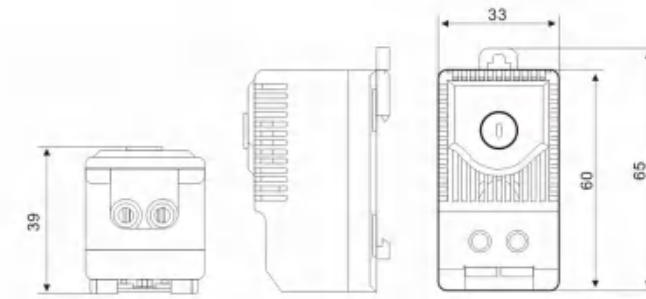
C 单控控制原理图及外形及安装尺寸图(mm) Schematic diagram, outline and installation dimension diagram of single control (mm)



单控(NC)搭配加热器接线图
Single control (NC) with heater wiring diagram

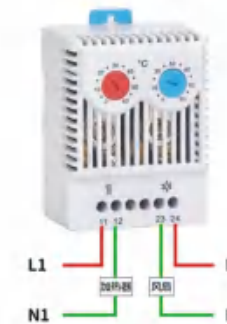


单控(NO)搭配风机接线图
Single control (NO) with fan wiring diagram

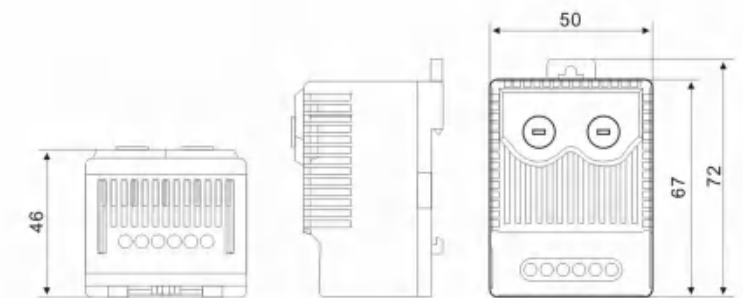


单控外形尺寸图 Single control outline dimension drawing

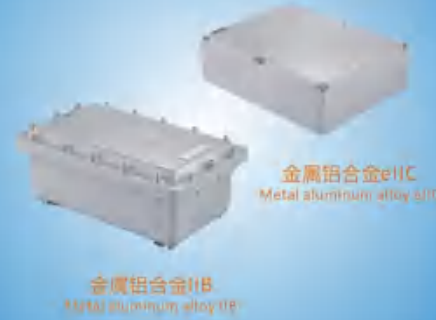
C 双控控制原理图及外形及安装尺寸图(mm) Dual control schematic diagram and outline and installation dimension diagram (mm)



双控搭配加热器、风扇接线图
Double control collocation Heater and fan wiring diagram



双控外形尺寸图
Double control outline dimension drawing



金属铝合金IIIC
Metal aluminum alloy IIIC

金属铝合金IIB
Metal aluminum alloy IIB

CN900 防爆接线箱
CN900 Explosion-proof junction box

环境温度 Ambient temperature	-40℃~+50℃
防爆标志 Explosion proof sign	Ex db IIB T6 Gb/Ex db IIC T6 Gb/Ex eb IIC T6 Gb Ex tb IIIC T80℃ Db
防护等级 Protection grade	IP65、IP66
防腐等级 Anti corrosion grade	WF1、WF2
额定电压 Rated voltage	AC220V/AC380V
额定电流 Rated current	10A~250A

Zone1, Zone2, Zone21, Zone22



CN960 防爆挠性连接管
CN960 Explosion-proof flexible connecting pipe

环境温度 Ambient temperature	-40℃~+50℃
防爆标志 Explosion proof sign	Ex db IIB T6 Gb/Ex db IIC T6 Gb/Ex eb IIC T6 Gb Ex tb IIIC T80℃ Db
防护等级 Protection grade	IP65、IP66
防腐等级 Anti corrosion grade	WF1、WF2
材质 Texture of material	PVC橡胶, 钢丝编织, 不锈钢 PVC rubber, steel wire weaving, stainless steel

Zone1, Zone2, Zone21, Zone22



工程塑料IIIC
Engineering plastic IIIC

CN900 防爆接线箱
CN900 Explosion-proof junction box

环境温度 Ambient temperature	-40℃~+50℃
防爆标志 Explosion proof sign	Ex eb IIC T6 Gb/Ex tb IIIC T80℃ Db
防护等级 Protection grade	IP65、IP66
防腐等级 Anti corrosion grade	WF1、WF2
额定电压 Rated voltage	AC220V/AC380V
额定电流 Rated current	10A~250A

Zone1, Zone2, Zone21, Zone22



CN970 防爆电缆引入装置
CN970 Explosion-proof cable entry device

环境温度 Ambient temperature	-40℃~+50℃
防爆标志 Explosion proof sign	Ex eb IIC T6 Gb Ex tb IIIC T80℃ Db
防护等级 Protection grade	IP65、IP66
防腐等级 Anti corrosion grade	WF2
材质 Texture of material	工程塑料, 黄铜镀镍, 不锈钢 Engineering plastics, brass nickel plated, stainless steel
进线范围 Incoming line range	13.5 × 5

Zone1, Zone2, Zone21, Zone22



不锈钢IIIC
Stainless steel IIIC

CN900 防爆接线箱
CN900 Explosion-proof junction box

环境温度 Ambient temperature	-40℃~+50℃
防爆标志 Explosion proof sign	Ex eb IIC T6 Gb/Ex tb IIIC T80℃ Db
防护等级 Protection grade	IP65、IP66
防腐等级 Anti corrosion grade	WF1、WF2
额定电压 Rated voltage	AC220V/AC380V
额定电流 Rated current	10A~250A

Zone1, Zone2, Zone21, Zone22



CN970 防爆电缆引入装置
CN970 Explosion-proof cable entry device

环境温度 Ambient temperature	-40℃~+50℃
防爆标志 Explosion proof sign	Ex db IIB T6 Gb/Ex db IIC T6 Gb/Ex eb IIC T6 Gb Ex tb IIIC T80℃ Db
防护等级 Protection grade	IP65、IP66
防腐等级 Anti corrosion grade	WF1、WF2
材质 Texture of material	黄铜镀镍, 不锈钢304/316 Nickel plated brass, stainless steel 304 / 316

Zone1, Zone2, Zone21, Zone22





CN961 防爆堵头 CN961 Explosion proof plug	
材质 Texture of material	铝合金、碳钢、黄铜镀镍、不锈钢、工程塑料 Aluminum alloy, carbon steel, nickel plated brass, stainless steel, engineering plastics
防爆等级 Ex proof grade	Ex db II Gb/Ex eb II Gb Ex tb IIIC Db
防腐等级 Anticorrosion grade	WF1、WF2
防护等级 Degree of protection	IP65、IP66
规格 Specifications	G1/2"~G4", M20×1.5~M100×1.5, 1/2"NPT~4"NPT



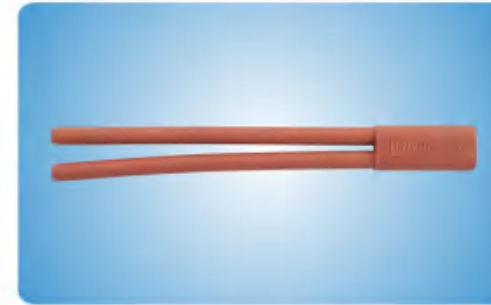
CN962 防爆变径 CN962 Explosion-proof variable diameter	
材质 Texture of material	碳钢、黄铜镀镍、不锈钢 Carbon steel, nickel plated brass, stainless steel
防腐等级 Anticorrosion grade	WF1、WF2
防护等级 Degree of protection	IP65、IP66
规格 Specifications	G1/2"~G4", M20×1.5~M100×1.5



CN963螺母 CN963Nut	
材质 Texture of material	碳钢、黄铜镀镍、不锈钢 Carbon steel, nickel plated brass, stainless steel
防腐等级 Anticorrosion grade	WF1、WF2
防护等级 Degree of protection	IP65、IP66
规格 Specifications	G1/2"~G4", M20×1.5~M100×1.5



CN-HT-100不锈钢扎带 CN-HT-100 Stainless steel tie			
材质 Texture of material	不锈钢304/316 Stainless steel 304 / 316		
防腐等级 Anticorrosion grade	WF1、WF2		
规格Specifications	范围(mm)Range (mm)	规格Specifications	范围(mm)Range (mm)
H18-100-8	11~25	H18-100-48	64~89
H18-100-10	13~27	H18-100-52	70~95
H18-100-12	13~32	H18-100-56	76~101
H18-100-16	18~38	H18-100-60	83~108
H18-100-20	19~44	H18-100-64	64~114
H18-100-24	25~51	H18-100-72	76~127
H18-100-28	32~57	H18-100-76	83~133
H18-100-32	38~63	H18-100-80	89~140
H18-100-36	44~70	H18-100-88	102~152
H18-100-40	51~76	H18-100-96	114~165
H18-100-44	57~82	H18-100-104	127~178



CN-TP-2869 护线套管 CN-TP-2869 Protective tube	
材质 Texture of material	纤维硅胶 Fiber silica gel
厚度 Thickness	2mm
规格 Specifications	125×14×7 (mm)



CN-TLM-17589 铝箔胶带 CN-TLM-17589 Aluminum foil tape	
材质 Texture of material	纤维 Fiber
厚度 Thickness	1mm
规格 Specifications	50mm×30M



CN-TR-17688 纤维胶带 CN-TR-17688 Fiber tape	
材质 Texture of material	纤维 Fiber
厚度 Thickness	0.5mm
规格 Specifications	20mm×30M



电伴热标识牌 Electric heat signage	
CN-TDF-17068	



防水密封硅胶 Waterproof silicone Sealant	
CN-XGL-8963	



CN900
系列防爆接线箱
(Ex db IIC)

CN900
Series Explosion-proof
junction box
(Ex db IIC)

IIC/Ex tb



产品概述 Product overview

- 防爆性能符合
 - CENELEC标准
 - IEC标准
 - NEC标准
- 适用于
 - 1区和2区
 - 21区和22区
 - II类, 1区和2区
 - II类, 1区, 气体组别 A, B, C, D
 - II类, 2区, 气体组别 A, B, C, D
- 材质铝合金, 表面喷塑。
- 电缆引入口大小和方向根据用户要求任意订制。
- Explosion-proof performance conforms to
 - CENELEC standard
 - IEC standard
 - NEC standard
- Suitable for
 - Zone 1 and Zone 2
 - Zone 21 and 22
 - Class II, Zone 1 and Zone 2
 - Class II, Zone 1, gas group A, B, C, D
 - Class II, Zone 2, gas group A, B, C, D
- Material aluminum alloy, surface sprayed.
- The size and direction of the cable inlet are arbitrarily customized according to user requirements.

1区& 2区; 21区& 22区

zone1, zone2, zone21, zone22

CN900 系列防爆接线箱(Ex db IIC)
CN900 Series Explosion-proof junction box(Ex db IIC)

G 型号含义 Model meaning

CN900 - □ - □ □
□ □ □ □

- 防爆接线箱 Explosion-proof junction box
- 防爆类型 Explosion-proof type (db, IIC)
- 壳体类型 Shell type (I, II, III...)
- 内装端子类型 Built-in terminal type (a...f)

G 技术参数 Technical parameter

防爆接线箱(Ex db IIC) Explosion-proof junction box (Ex db IIC)	CN900-IIC-□□												
防爆型式 Explosion proof type	⊕ II2G Ex db IIC T6/T4 Gb												
气体防爆型式 Gas explosion proof type	⊕ II1D Ex tb IIIC T80°C/T135°C Db												
粉尘防爆型式 Dust explosion proof type													
执行标准 Executive standard	GB/T 3836.1, GB/T 3836.2, GB/T 3836.31 EN 60079-0, EN 60079-1, EN 60079-31, IEC 60079-0, IEC 60079-1, IEC 60079-31												
壳体材质 Shell material	铝合金, 表面喷塑 Aluminum alloy, surface sprayed												
壳体颜色 Shell color	窗灰色 Window gray												
接线端子 Terminal block	国际知名品牌端子 Internationally renowned brand terminals												
外露紧固件 Exposed fasteners	不锈钢 Stainless steel												
额定电压 Rated voltage	Max. 690V AC												
防护等级 Protection level	IP65, IP66												
周围环境温度 Ambient temperature	-20°C~+55°C												
额定电流 Rated current	横截面 Cross section	2.5mm ²	4mm ²	6mm ²	10mm ²	16mm ²	35mm ²	70mm ²	95mm ²				
	额定电流 Rated current	24A	32A	41A	57A	76A	125A	192A	250A				

G 电缆引入口表 Cable entry table

电缆引入装置CN970系列的电缆引入口最大可能值表 Table of maximum possible values of cable entries for CN970 series of cable entries

尺寸 Size	I		II		III		IV		V		VI	
	A/B	C/D	A/B	C/D	A/B	C/D	A/B	C/D	A/B	C/D	A/B	C/D
M20 x 1.5	3	3	4	4	10	10	11	11	15	15	17	17
M25 x 1.5	3	3	4	4	9	9	10	10	13	13	15	15
M32 x 1.5	2	2	3	3	7	7	8	8	11	11	12	12
M40 x 1.5	2	2	3	3	3	3	4	4	5	5	5	5
M50 x 1.5	/	/	/	/	3	3	3	3	4	4	5	5
M63 x 1.5	/	/	/	/	2	2	2	2	3	3	4	4

注: 1. 本系列产品出厂时不加工电缆引入口, 需用户自己加工。

2. 如需电缆引入口:

1) 请确认每个电缆引入口的方向和尺寸。

2) 本系列产品出厂时不配电缆引入装置。推荐使用CN960-I(Ex db)或CN960-II(Ex db)。

Note: 1. This series of products do not process the cable inlet when they leave the factory, and need to be processed by user.

2. If cable entry is required:

1) Please confirm the direction and size of each cable entry port.

2) This series of products are not equipped with cable entry devices when they leave the factory. Recommend to use CN960-I(Ex db) or CN960-II(Ex db).

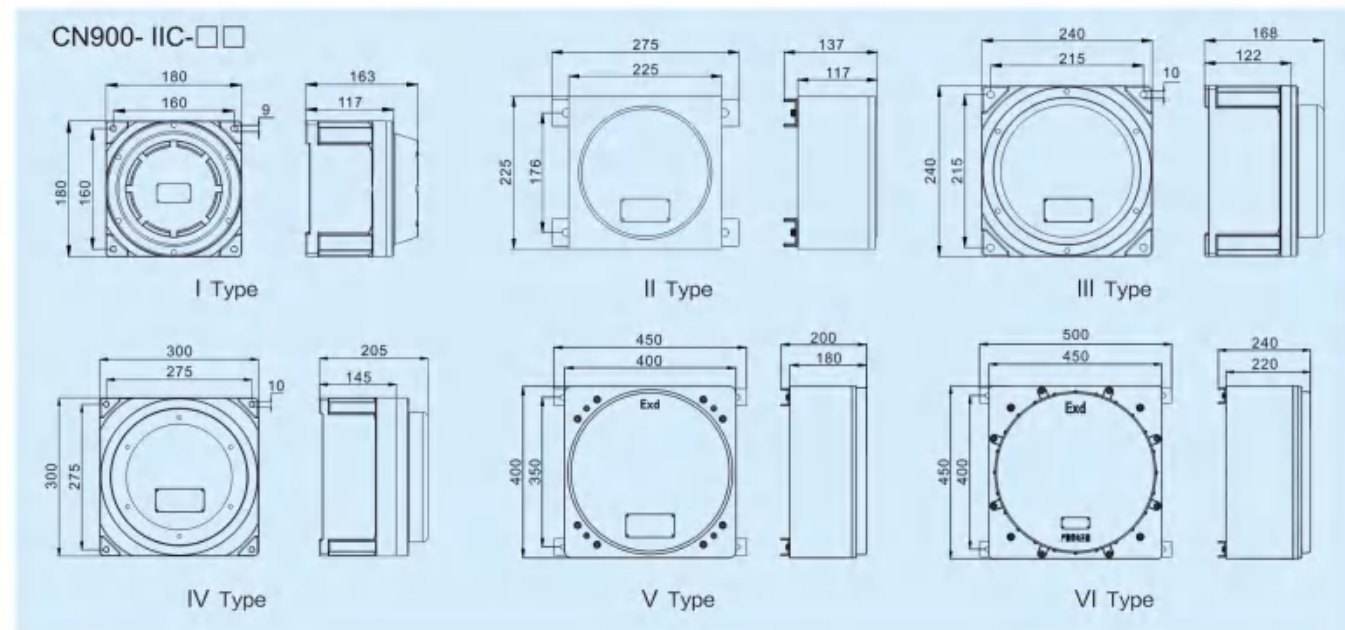


G CN900-IIIC系列防爆接线箱选配表 CN900-IIIC Series explosion-proof junction box selection table

连接端子电缆的最大截面积为95mm² The maximum cross-sectional area of the connecting terminal cable is 95mm²
最大合适端子数见表 The maximum number of suitable terminals is shown in the table

电缆截面积 (mm ²) Cable cross-sectional area (mm ²)		2.5 (a)	4 (b)	6 (c)	10 (d)	16 (e)	35 (f)	70 (g)	95 (h)
壳体代号/订货代号 Shell code/order code	外形图 Outline								
I		10	8	6	—	—	—	—	—
II		20	18	15	12	10	—	—	—
III		25	24	20	15	12	6	—	—
IV		32	30	25	18	14	10	—	—
		44	40	32	22	—	—	—	—
V		48	44	38	30	20	12	6	6
		72	60	50	40	—	—	—	—
VI		60	54	44	34	26	15	8	8
		90	80	60	50	40	—	—	—

G 外形示意图 (所有尺寸单位为mm) - 可修改 Outline diagram (all dimensions in mm)-can be modified



CN900
系列防爆防腐接线箱
(Ex db IIC)不锈钢

CN900
Series Explosion-proof and
anti-corrosion junction box
(Ex db IIC)Stainless steel

IIC/Ex tb



G 产品概述 Product overview

- ◆ 防爆性能符合
 - CENELEC标准
 - IEC标准
 - NEC标准
- ◆ 适用于
 - 1区和2区
 - 21区和22区
 - II类, 1区和2区
 - II类, 1区, 气体组别 A, B, C, D
 - II类, 2区, 气体组别 A, B, C, D
- ◆ 材质不锈钢(碳钢)。
- ◆ 电缆引入口大小和方向根据用户要求任意订制。
- ◆ Explosion-proof performance conforms to
 - CENELEC standard
 - IEC standard
 - NEC standard
- ◆ Suitable for
 - Zone 1 and Zone 2
 - Zone 21 and 22
 - Class II, Zone 1 and Zone 2
 - Class II, Zone 1, gas group A, B, C, D
 - Class II, Zone 2, gas group A, B, C, D
- ◆ Material stainless steel (carbon steel).
- ◆ The size and direction of the cable inlet are arbitrarily customized according to user requirements.

1区& 2区; 21区& 22区
zone1, zone2, zone21, zone22



G 型号含义 Model meaning

CN900 - □ - □ □	
□	□ □
□	□ □
□	□ □
□	□ □
□	□ □

□ 防爆接线箱 Explosion-proof junction box
 □ 防爆类型 Explosion-proof type (db, IIC)
 □ 壳体类型 Shell type (I, II, III...)
 □ 内装端子类型 Built-in terminal type (a...f)

G 技术参数 Technical parameter

防爆接线箱(Ex db IIC) Explosion-proof junction box (Ex db IIC)	CN900-IIC-□□
防爆型式 Explosion proof type 气体防爆型式 Gas explosion proof type 粉尘防爆型式 Dust explosion proof type	II2G Ex db IIC T6/T4 Gb II1D Ex tb IIIC T80°C/T135°C Db
执行标准 Executive standard	GB/T 3836.1, GB/T 3836.2, GB/T 3836.31 EN 60079-0, EN 60079-1, EN 60079-31, IEC 60079-0, IEC 60079-1, IEC 60079-31
壳体材质 Shell material	不锈钢(碳钢) Stainless steel (carbon steel)
接线端子 Terminal block	国际知名品牌端子 Internationally renowned brand terminals
外露紧固件 Exposed fasteners	不锈钢 Stainless steel
额定电压 Rated voltage	220V/380V/690V
额定电流 Rated current	400A
防护等级 Protection level	IP65, IP66
防腐等级 Anticorrosion grade	WF2
引入口规格 Inlet specifications	常规配置为箱体上焊接CN970系列电缆引入装置, 也可根据用户要求后装其它电缆引入装置 The conventional configuration is to weld CN970 series cable entry devices on the box, and other cable entry devices can also be installed according to user requirements.

G CN900-IIB系列防爆防腐接线箱选配表 CN900-IIB Series Explosion-proof and anti-corrosion junction box selection table

壳体代号 Shell code	I		II		III	
外形尺寸 External dimensions						
尺寸 Size	A/B	C/D	A/B	C/D	A/B	C/D
G1/2"	4	4	9	9	11	11
G3/4"	4	4	7	7	9	9
G1"	3	3	5	5	7	7
G1 1/4"	2	2	4	4	5	5
G1 1/2"	2	2	3	3	5	5
G2"	/	/	2	2	3	3

G CN900-IIC系列防爆防腐接线箱选配表 CN900-IIC Series Explosion-proof and anti-corrosion junction box selection table

壳体代号 Shell code	外形图 Outline	最大可排列端子数量 Maximum number of arrangible terminals				
		2.5mm ²	4mm ²	6mm ²	10mm ²	16mm ²
I		30	24	20	16	10
II		50	46	40	30	24
III		60	50	40	30	30

G 外形及安装尺寸举例 Example of appearance and installation dimensions

CN900-IIC-□□	
I Type	II Type
III Type	



CN900
系列防爆接线箱
(Ex db IIB)

CN900
Series Explosion-proof
junction box
(Ex db IIB)

IIB/Ex tb



产品概述 Product overview

- 防爆性能符合
 - CENELEC标准
 - IEC标准
 - NEC标准
- 适用于
 - 1区和2区
 - 21区和22区
 - II类, 1区和2区
 - II类, 1区, 气体组别 A, B, C, D
 - II类, 2区, 气体组别 A, B, C, D
- 材质铝合金, 表面喷塑。
- 电缆引入口大小和方向根据用户要求任意订制。
- Explosion-proof performance conforms to
 - CENELEC standard
 - IEC standard
 - NEC standard
- Suitable for
 - Zone 1 and Zone 2
 - Zone 21 and 22
 - Class II, Zone 1 and Zone 2
 - Class II, Zone 1, gas group A, B, C, D
 - Class II, Zone 2, gas group A, B, C, D
- Material aluminum alloy, surface sprayed.
- The size and direction of the cable inlet are arbitrarily customized according to user requirements.

1区& 2区; 21区& 22区

zone1, zone2, zone21, zone22

CN900 系列防爆接线箱(Ex db IIB)
CN900 Series Explosion-proof junction box(Ex db IIB)

G 型号含义 Model meaning

CN900 - □ - □ □
□ □ □ □

- 防爆接线箱 Explosion-proof junction box
- 防爆类型 Explosion-proof type (db, IIB)
- 壳体类型 Shell type (I, II, III...)
- 内装端子类型 Built-in terminal type (a...f)

G 技术参数 Technical parameter

防爆接线箱 (Ex db IIB+H2) Explosion-proof junction box (Ex db IIB+H2)	CN900-IIB-□□								
防爆型式 Explosion proof type	Ex II2G Ex db IIB T6/T4 Gb								
气体防爆型式 Gas explosion proof type	Ex II1D Ex tb IIIC T80°C/T135°C Db								
粉尘防爆型式 Dust explosion proof type									
执行标准 Executive standard	GB/T 3836.1, GB/T 3836.2, GB/T 3836.31 EN 60079-0, EN 60079-1, EN 60079-31, IEC 60079-0, IEC 60079-1, IEC 60079-31								
壳体材质 Shell material	铝合金, 表面喷塑 Aluminum alloy, surface sprayed								
壳体颜色 Shell color	窗灰色 Window gray								
接线端子 Terminal block	国际知名品牌端子 Internationally renowned brand terminals								
外露紧固件 Exposed fasteners	不锈钢 Stainless steel								
周围环境温度 Ambient temperature	T6/T80°C for Tamb: -60°C ~ +40°C, T5/T95°C for Tamb: -60°C ~ +55°C								
额定电压 Rated voltage	Max. 500V AC (ATEX 认证Certification)/Max. 800V AC (IECEx 认证Certification)								
防护等级 Protection level	IP65, IP66								
额定电流 Rated current	横截面 Cross section	2.5mm ²	4mm ²	6mm ²	10mm ²	16mm ²	35mm ²	70mm ²	240mm ²
	额定电流 Rated current	24A	32A	41A	57A	76A	125A	192A	400A

G 电缆引入口表 Cable entry table

电缆引入装置CN970系列的电缆引入口最大可能值表 Table of maximum possible values of cable entries for CN970 series of cable entries

尺寸 Size	I		II				III				IV			
	A/B	C/D	A/B	C/D	A/B	C/D	A/B	C/D	A/B	C/D	A/B	C/D	A/B	C/D
M20 x 1.5	5	8	5	10	5	12	10	12	16	20	12	16	22	30
M25 x 1.5	5	7	5	9	5	10	9	11	12	15	11	14	15	20
M32 x 1.5	2	3	2	4	2	6	7	9	9	12	9	12	12	16
M40 x 1.5	2	2	2	3	2	4	3	4	5	6	4	5	6	9
M50 x 1.5	1	2	1	3	1	3	3	3	4	5	3	4	5	7
M63 x 1.5	1	2	1	2	1	3	2	3	2	3	3	3	3	5

尺寸 Size	V		VI				VII					
	A/B	C/D	A/B	C/D	A/B	C/D	A/B	C/D	A/B	C/D	A/B	C/D
M20 x 1.5	14	21	24	40	19	33	30	50	28	41	45	65
M25 x 1.5	12	19	18	27	16	28	20	36	25	35	30	44
M32 x 1.5	10	15	14	21	13	22	18	30	21	29	25	36
M40 x 1.5	4	7	8	12	7	13	11	18	11	16	15	21
M50 x 1.5	4	5	5	9	6	11	6	10	10	13	12	12
M63 x 1.5	3	5	4	7	3	5	5	9	4	6	7	10



- 注: 1. 本系列产品出厂时不加工电缆入口, 需用户自己加工。
2. 如需电缆入口:
1) 请确认每个电缆入口的方向和尺寸。
2) 本系列产品出厂时不配电缆引入装置, 推荐使用CN960-I (Ex db)或CN960-II (Ex db).

Note: 1. This series of products do not process the cable inlet when they leave the factory, and need to be processed by user.
2. If cable entry is required:
1) Please confirm the direction and size of each cable entry port.
2) This series of products are not equipped with cable entry devices when they leave the factory. Recommend to use CN960-I(Ex db) or CN960-II(Ex db).

C CN900-II B系列防爆接线箱选配表 CN900-II B Series explosion-proof junction box selection table

连接端子电缆的最大截面积为35mm² The maximum cross-sectional area of the connecting terminal cable is 35mm²
最大合适端子数见表 The maximum number of suitable terminals is shown in the table

电缆截面积 (mm ²) Cable cross-sectional area (mm ²)		2.5 (a)	4 (b)	6 (c)	10 (d)	16 (e)	35 (f)	最大耗散功率 (W) Maximum power dissipation
壳体代号/订货代号 Shell code/order code	外形图 Outline							
I		16	15	12	10	8	—	9.8
		22	18	14	12	10	—	14.4
II		28	25	20	15	12	—	14.4
		32	30	24	20	16	8	22.2
III		50	46	40	—	—	—	22.2
		45	40	34	28	24	16	25.2
IV		80	70	60	40	—	—	25.2
		—	—	—	—	—	—	—

CN900 系列防爆接线箱(Ex db IIB)
CN900 Series Explosion-proof junction box(Ex db IIB)

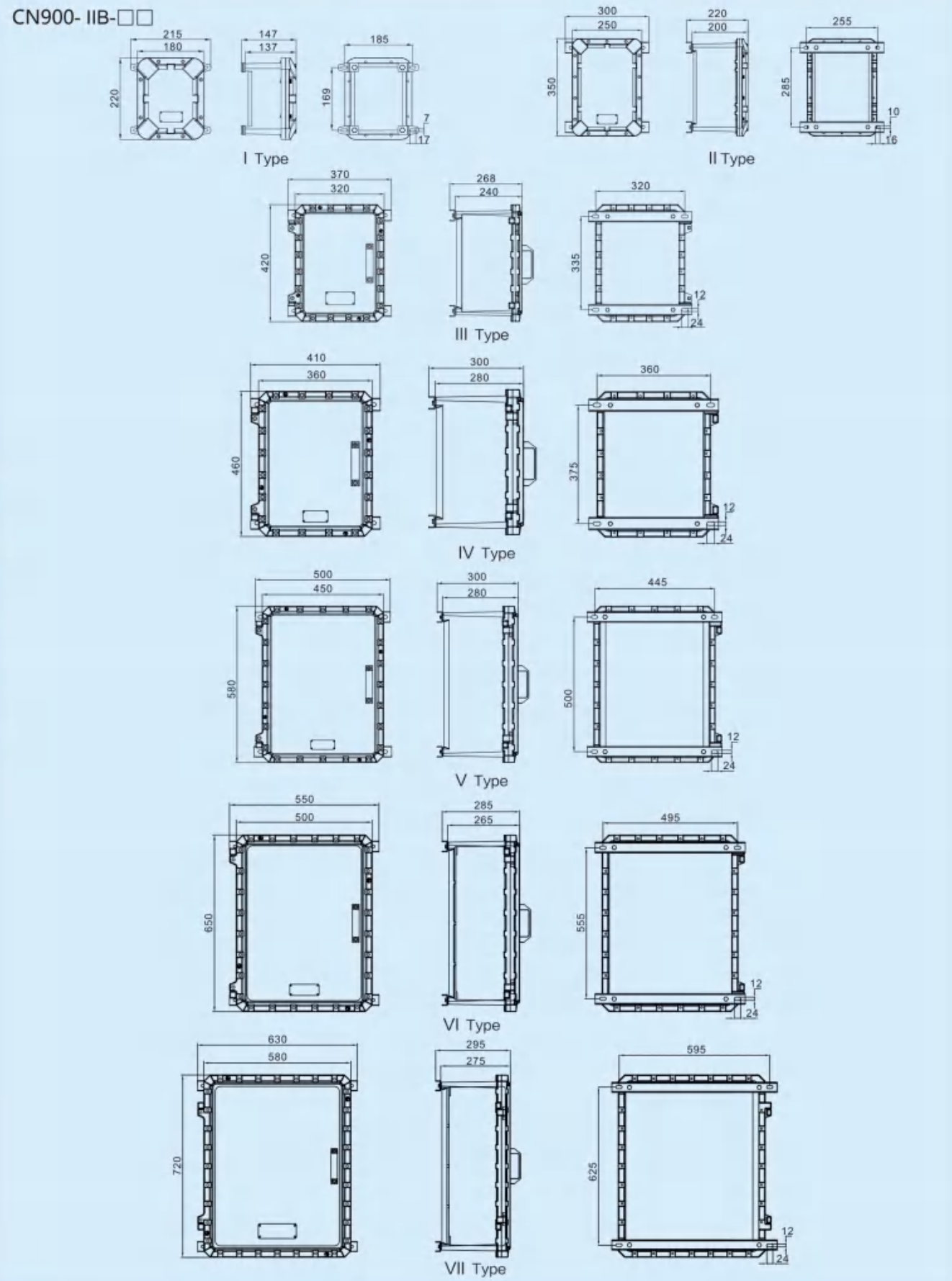
C CN900-II B系列防爆接线箱选配表 CN900-II B Series explosion-proof junction box selection table

连接端子电缆的最大截面积为240mm² The maximum cross-sectional area of the connecting terminal cable is 240mm²
最大合适端子数见表 The maximum number of suitable terminals is shown in the table

电缆截面积 (mm ²) Cable cross-sectional area (mm ²)		2.5 (a)	4 (b)	6 (c)	10 (d)	16 (e)	35 (f)	70 (g)	240 (h)	最大耗散功率 (W) Maximum power dissipation
壳体代号/订货代号 Shell code/order code	外形图 Outline									
V		60	56	48	36	30	20	—	—	55.3
		110	100	90	70	66	—	—	—	55.3
VI		80	70	60	50	35	20	10	6	64.5
		160	140	120	100	70	—	—	—	64.5
VII		90	80	70	60	40	25	15	9	93.1
		180	160	140	120	80	—	—	—	93.1



G 外形示意图 (所有尺寸单位为mm) - 可修改 Outline diagram (all dimensions in mm)-can be modified



CN900
系列防爆防腐接线箱
(Ex db IIB)不锈钢

CN900
Series Explosion-proof and
anti-corrosion junction box
(Ex db IIB)Stainless steel

IIB/Ex tb



G 产品概述 Product overview

- ◆ 防爆性能符合
 - CENELEC标准
 - IEC标准
 - NEC标准
- ◆ 适用于
 - 1区和2区
 - 21区和22区
 - II类, 1区和2区
 - II类, 1区, 气体组别 A, B, C, D
 - II类, 2区, 气体组别 A, B, C, D
- ◆ 材质不锈钢(碳钢)。
- ◆ 电缆引入口大小和方向根据用户要求任意订制。
- ◆ Explosion-proof performance conforms to
 - CENELEC standard
 - IEC standard
 - NEC standard
- ◆ Suitable for
 - Zone 1 and Zone 2
 - Zone 21 and 22
 - Class II, Zone 1 and Zone 2
 - Class II, Zone 1, gas group A, B, C, D
 - Class II, Zone 2, gas group A, B, C, D
- ◆ Material stainless steel (carbon steel).
- ◆ The size and direction of the cable inlet are arbitrarily customized according to user requirements.

1区& 2区; 21区& 22区

zone1, zone2, zone21, zone22



G 型号含义 Model meaning

CN900 - □ - □ □
□ □ □ □

- 防爆接线箱 Explosion-proof junction box
- 防爆类型 Explosion-proof type (db, IIB)
- 壳体类型 Shell type (I, II, III...)
- 内装端子类型 Built-in terminal type (a...f)

G 技术参数 Technical parameter

防爆防腐接线箱 (Ex db IIB) Explosion-proof and anti-corrosion junction box (Ex db IIB)	CN900-IIB-□□
防爆型式 Explosion proof type 气体防爆型式 Gas explosion proof type 粉尘防爆型式 Dust explosion proof type	II2G Ex db IIB T6/T4 Gb II1D Ex tb IIIC T80°C/T135°C Db
执行标准 Executive standard	GB/T 3836.1, GB/T 3836.2, GB/T 3836.31 EN 60079-0, EN 60079-1, EN 60079-31, IEC 60079-0, IEC 60079-1, IEC 60079-31
壳体材质 Shell material	不锈钢(碳钢) Stainless steel (carbon steel)
接线端子 Terminal block	国际知名品牌端子 Internationally renowned brand terminals
外露紧固件 Exposed fasteners	不锈钢 Stainless steel
额定电压 Rated voltage	220V/380V/690V
额定电流 Rated current	400A
防护等级 Protection class	IP65、IP66
防腐等级 Anticorrosion grade	WF2
引入口规格 Inlet specifications	常规配置为箱体上焊接CN970系列电缆引入装置，也可根据用户要求后装其它电缆引入装置 The conventional configuration is to weld CN970 series cable entry devices on the box, and other cable entry devices can also be installed according to user requirements.

G CN900-IIB系列防爆防腐接线箱选配表 CN900-IIB Series Explosion-proof and anti-corrosion junction box selection table

壳体代号 Shell code	I		II		III		IV	
外形尺寸 External dimensions								
尺寸 Size	A/B	C/D	A/B	C/D	A/B	C/D	A/B	C/D
G1/2"	3	3	3	4	4	6	6	6
G3/4"	2	3	3	3	3	5	5	5
G1"	2	2	2	2	3	4	4	4
G1 1/4"	1	2	2	2	2	4	4	4
G1 1/2"	1	1	2	2	2	3	3	3
G2"	/	/	1	1	2	3	3	3

注：本表列举的通头数量是为该壳体单面所能安装该规格通头的最多数量，实际以用户要求为准。
Note: The number of headers listed in this table is the maximum number of headers of this specification that can be installed on one side of the housing, and the actual number of headers is subject to user requirements.

G CN900-IIB系列防爆防腐接线箱选配表 CN900-IIB Series Explosion-proof and anti-corrosion junction box selection table

壳体代号 Shell code	外形图 Outline	最大可排列端子数量 Maximum number of arrangible terminals				
		2.5mm ²	4mm ²	6mm ²	10mm ²	16mm ²
I		16	/	/	/	/
II		24	20	16	/	/
III		40	36	24	15	15
IV		60	48	36	25	20

G 外形及安装尺寸举例 Example of appearance and installation dimensions

CN900-IIB-□□

I Type II Type

III Type IV Type



CN900-E
系列防爆接线箱
(Ex eb IIC)

CN900-E
Series Explosion-proof
junction box
(Ex eb IIC)

IIC/Ex tb



C 产品概述 Product overview

- ◆ 防爆性能符合
 - CENELEC标准
 - IEC标准
 - NEC标准
- ◆ 适用于
 - 1区和2区
 - 21区和22区
 - II类, 1区和2区
 - II类, 1区, 气体组别 A, B, C, D
 - II类, 2区, 气体组别 A, B, C, D
- ◆ 材质铝合金, 表面喷塑。
- ◆ 电缆入口大小和方向根据用户要求任意订制。
- ◆ Explosion-proof performance conforms to
 - CENELEC standard
 - IEC standard
 - NEC standard
- ◆ Suitable for
 - Zone 1 and Zone 2
 - Zone 21 and 22
 - Class II, Zone 1 and Zone 2
 - Class II, Zone 1, gas group A, B, C, D
 - Class II, Zone 2, gas group A, B, C, D
- ◆ Material aluminum alloy, surface sprayed.
- ◆ The size and direction of the cable inlet are arbitrarily customized according to user requirements.

1区& 2区; 21区& 22区

zone1, zone2, zone21, zone22

CN900-E 系列防爆接线箱(Ex eb IIC)
CN900-E Series Explosion-proof junction box(Ex eb IIC)

C 型号含义 Model meaning

CN900 - □ - □ □
□ □ □ □

- 防爆接线箱 Explosion-proof junction box
- 防爆类型 Explosion-proof type (eb, IIC)
- 壳体类型 Shell type (I, II, III...)
- 内装端子类型 Built-in terminal type (a...f)

C 技术参数 Technical parameter

防爆接线箱(Ex eb IIC Ex ib IIC) Explosion-proof junction box(Ex eb IIC Ex ib IIC)	CN900-E-□□						
防爆型式 Explosion proof type	Ex II2G Ex eb IIC T6/T4 Gb						
气体防爆型式 Gas explosion proof type	Ex II1D Ex tb IIIC T80°C/T135°C Db						
粉尘防爆型式 Dust explosion proof type							
执行标准 Executive standard	GB/T 3836.1, GB/T 3836.3, GB/T 3836.31; EN 60079-0, EN 60079-7, EN 60079-11, EN 60079-31, IEC 60079-0, IEC 60079-7, IEC 60079-11, IEC 60079-31						
壳体材质 Shell material	铝合金, 表面喷塑 Aluminum alloy, surface sprayed						
壳体颜色 Shell color	窗灰色 Window gray						
外露紧固件 Exposed fasteners	不锈钢 Stainless steel						
额定电压 Rated voltage	Max. 690V AC						
防护等级 Protection level	IP65, IP66						
接线端子 Terminal block	国际知名品牌防爆端子 Internationally renowned brand explosion-proof terminals 防爆标志 Explosion-proof mark: Ex II 2 GD Ex eb II						
周围环境温度 Ambient temperature	Ex eb: T6 for Tamb: -50°C ~ +40°C, T5 for Tamb: -50°C ~ +55°C Ex ib: T6 for Tamb: -50°C ~ +55°C						
额定电流 Rated current	横截面 Cross section	2.5mm ²	4mm ²	6mm ²	10mm ²	16mm ²	35mm ²
	Ex eb额定电流 Ex eb rated current	24A	32A	41A	57A	76A	125A
	Ex ib额定电流 Ex ib rated current	5A	5A	5A	—	—	—

C 电缆入口表 Cable entry table

电缆引入装置CN970系列的电缆入口最大可能值表 Table of maximum possible values of cable entries for CN970 series of cable entries

尺寸 Size	I		II		III		IV		V		VI		VII		VIII	
	A/B	C/D	A/B	C/D	A/B	C/D	A/B	C/D	A/B	C/D	A/B	C/D	A/B	C/D	A/B	C/D
M20 x 1.5	2	3	4	4	4	6	6	6	6	10	10	10	8	12	12	18
M25 x 1.5	2	3	3	3	3	4	4	4	5	9	9	9	7	10	10	16
M32 x 1.5	1	2	2	2	2	3	3	3	3	4	4	4	4	6	6	10
M40 x 1.5	1	2	2	2	2	3	3	3	2	3	3	3	2	3	3	5
M50 x 1.5	/	/	/	/	/	/	/	/	/	3	3	3	2	3	3	5
M63 x 1.5	/	/	/	/	/	/	/	/	/	2	2	2	2	3	3	4

注: 1. 本系列产品出厂时不加工电缆入口, 需用户自己加工。

2. 如需电缆入口:

1) 请确认每个电缆入口的方向和尺寸。

2) 本系列产品出厂时不配电缆引入装置, 推荐使用CN960-I(Ex eb)。

Note: 1. This series of products do not process the cable inlet when they leave the factory, and need to be processed by user.

2. If cable entry is required:

1) Please confirm the direction and size of each cable entry port.

2) This series of products are not equipped with cable entry devices when they leave the factory. Recommend to use CN960-I (Ex eb).

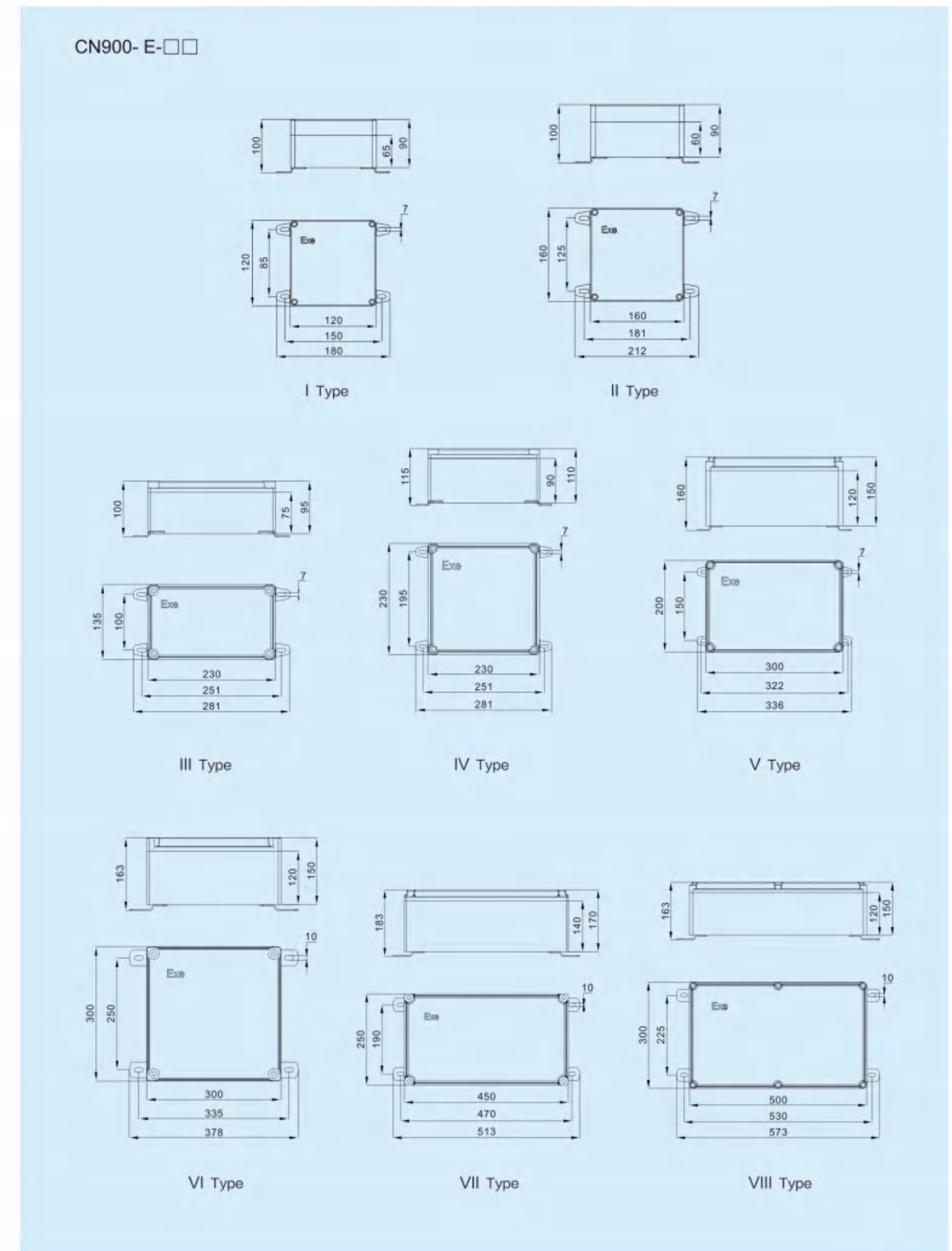


G CN900-E系列接线箱功耗和选配表 CN900-E Series junction box power consumption and selection table.

连接端子电缆的最大截面积为35mm² The maximum cross-sectional area of the connecting terminal cable is 35mm²
最大合适端子数见表 The maximum number of suitable terminals is shown in the table

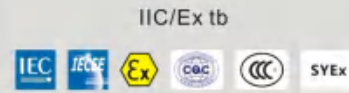
电缆截面积 (mm ²) Cable cross-sectional area (mm ²)		2.5 (a)	4 (b)	6 (c)	10 (d)	16 (e)	35 (f)	最大耗散功率 (W) Maximum power dissipation
壳体代号/订货代号 Shell code/order code	外形图 Outline							
I		16	15	12	10	—	—	7.83
II		16	15	12	10	8	—	11.81
III		25	22	20	15	12	—	8.60
IV		25	22	20	15	12	8	10.63
V		35	30	25	20	15	—	11.34
VI		35	30	25	20	15	10	24.68
		60	50	40	—	—	—	
VII		40	35	30	24	18	12	20.44
		40	40	30	—	—	—	
VIII		60	55	40	30	20	15	23.75
		100	90	66	60	40	—	

G 外形示意图 (所有尺寸单位为mm) - 可修改 Outline diagram (all dimensions in mm)-can be modified





CN900-S
系列防爆接线箱
(Ex eb IIC)
CN900-S
Series Explosion-proof
junction box
(Ex eb IIC)



C 产品概述 Product overview

- ◆ 防爆性能符合
 - CENELEC标准
 - IEC标准
 - NEC标准
- ◆ 适用于
 - 1区和2区
 - 21区和22区
 - II类, 1区和2区
 - II类, 2区, 气体组别 A, B, C, D
- ◆ 材质GRP(工程塑料)
- ◆ 配置国际知名品牌防爆端子
- ◆ Explosion-proof performance conforms to
 - CENELEC standard
 - IEC standard
 - NEC standard
- ◆ Suitable for
 - Zone 1 and Zone 2
 - Zone 21 and 22
 - Class II, Zone 1 and Zone 2
 - Class II, Zone 2, gas group A, B, C, D
- ◆ Material GRP (engineering plastic)
- ◆ Equipped with internationally renowned brand explosion-proof terminals

1区& 2区; 21区& 22区

zone1, zone2, zone21, zone22

CN900-S 系列防爆接线箱(Ex eb IIC)
CN900-S Series Explosion-proof junction box(Ex eb IIC)

C 型号含义 Model meaning

CN900-S - □ □	
□	□ □
□ 防爆接线箱(GRP)工程塑料 Explosion-proof junction box(GRP)engineering plastic	
□ 壳体类型 Housing type (I, II, III...)	
□ 内装端子类型 Built-in terminal type (a...f)	

C 技术参数 Technical parameter

防爆接线箱(Ex eb IIC Ex ia IIC) Explosion-proof junction box(Ex eb IIC Ex ia IIC)	CN900-S-□□						
防爆型式 Explosion proof type	Ex II2G Ex eb IIC T6/T4 Gb						
气体防爆型式 Gas explosion proof type	Ex II2D Ex tb IIIC T80°C/T135°C Db						
粉尘防爆型式 Dust explosion proof type							
执行标准 Executive standard	GB/T 3836.1, GB/T 3836.3, GB/T 3836.31; EN 60079-0, EN 60079-7, EN 60079-11, EN 60079-31, IEC 60079-0, IEC 60079-7, IEC 60079-11, IEC 60079-31						
壳体材质 Shell material	GRP(工程塑料) GRP (Engineering plastic)						
外露紧固件 Exposed fasteners	不锈钢 Stainless steel						
额定电压 Rated voltage	Max. 690V AC						
防护等级 Protection level	IP65、IP66						
接线端子 Terminal block	国际知名品牌防爆端子 Internationally renowned brand explosion-proof terminals 防爆标志 Explosion-proof mark: Ex II 2 GD Ex eb II						
周围环境温度 Ambient temperature	Ex eb: T6 for Tamb: -40°C~+40°C; T5 for Tamb: -40°C~+55°C Ex ia: T6 for Tamb: -40°C~+55°C						
额定电流 Rated current	横截面 Cross section	2.5mm ²	4mm ²	6mm ²	10mm ²	16mm ²	35mm ²
	Ex eb额定电流 Ex eb rated current	24A	32A	41A	57A	76A	125A
	Ex ia额定电流 Ex ia rated current	5A	5A	5A	—	—	—

C 电缆引入口表 Cable entry table

电缆引入装置CN970系列的电缆引入口最大可能值表 Table of maximum possible values of cable entries for CN970 series of cable entries

尺寸 Size	M20×1.5	M25×1.5	M32×1.5	M40×1.5	M50×1.5	M63 x 1.5	M75 x 1.5	M90 x 1.5	M115 x 1.5
I	A/B	4	2	2	/	/	/	/	/
	C/D	4	2	2	/	/	/	/	/
II	A/B	6	5	2	2	1	/	/	/
	C/D	10	8	4	3	2	/	/	/
III	A/B	10	8	6	2	2	/	/	/
	C/D	12	8	6	2	2	/	/	/
IV	A/B	12	10	6	3	2	/	/	/
	C/D	18	12	10	5	4	/	/	/
V	A/B	18	12	10	5	4	/	/	/
	C/D	18	12	10	5	2	/	/	/
VI	A/B	7	4	3	2	1	/	/	/
	C/D	12	8	4	2	2	/	/	/
VII	A/B	18	12	10	5	4	3	2	2
	C/D	36	24	18	8	6	6	4	4



- 注: 1. 本系列产品出厂时不加工电缆入口, 需用户自己加工。
2. 如需电缆入口:
1) 请确认每个电缆入口的方向和尺寸。
2) 本系列产品出厂时不配电缆引入装置, 推荐使用CN960-I(Ex eb)。

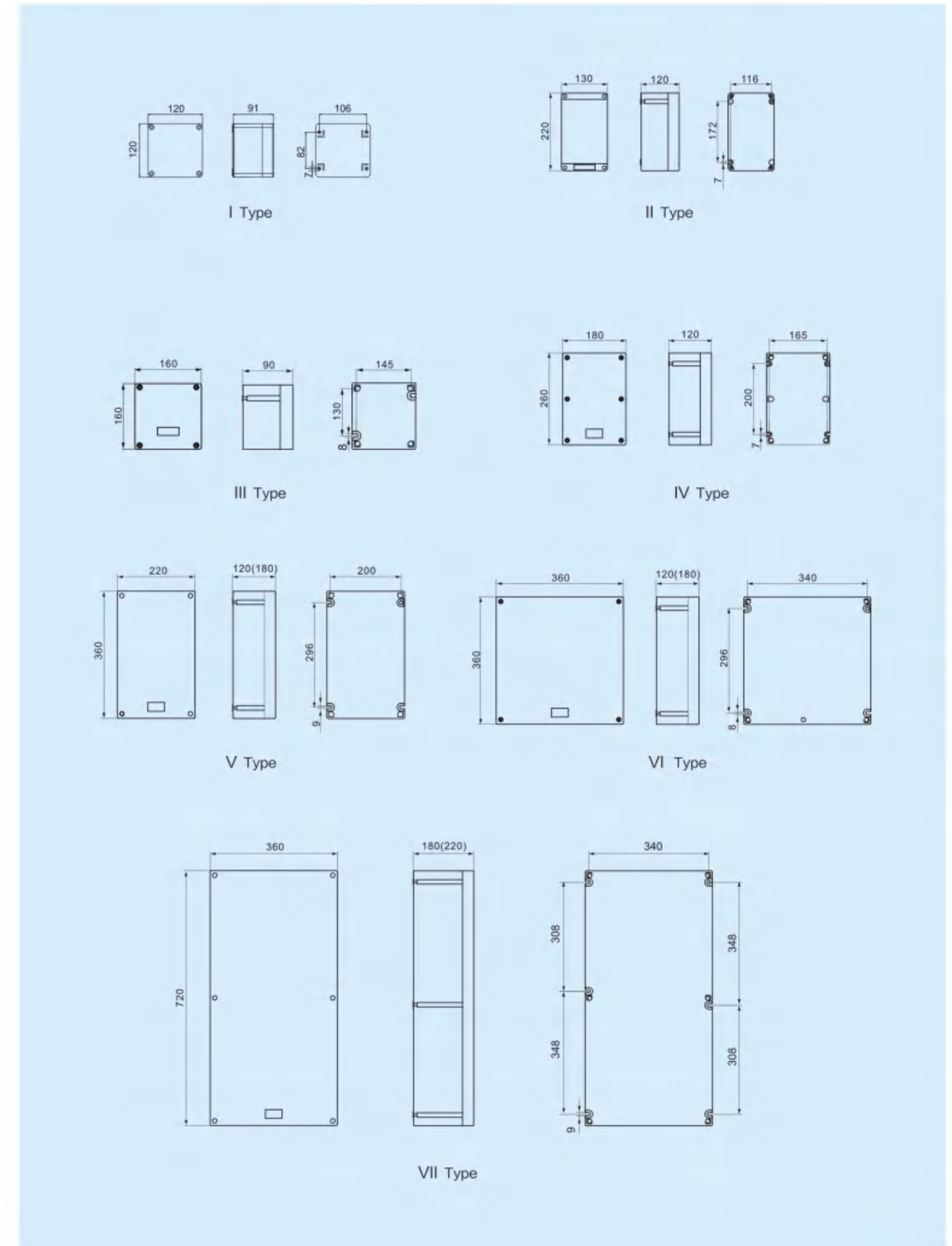
Note: 1. This series of products do not process the cable inlet when they leave the factory, and need to be processed by user.
2. If cable entry is required:
1) Please confirm the direction and size of each cable entry port.
2) This series of products are not equipped with cable entry devices when they leave the factory. Recommend to use CN960-I (Ex eb).

C CN900-S 系列接线箱功耗和选配表 CN900-S Series junction box power consumption and optional table

连接端子电缆的最大截面积为35mm² The maximum cross-sectional area of the connecting terminal cable is 35mm²
最大合适端子数见表 The maximum number of suitable terminals is shown in the table

壳体代号/订货代号 Shell code/order code	外形图 Outline	2.5 (a)	4 (b)	6 (c)	10 (d)	16 (e)	35 (f)	最大耗散功率 (W) Maximum power dissipation
I		12	10	8	—	—	—	2.30
II		25	22	18	—	—	—	6.81
III		30	28	22	18	15	—	6.50
IV		44	40	32	25	20	—	14.32
V		88	80	60	50	40	14	28.08
VI		25	22	18	14	—	—	7.92
VII		180	160	130	100	80	30	25.00

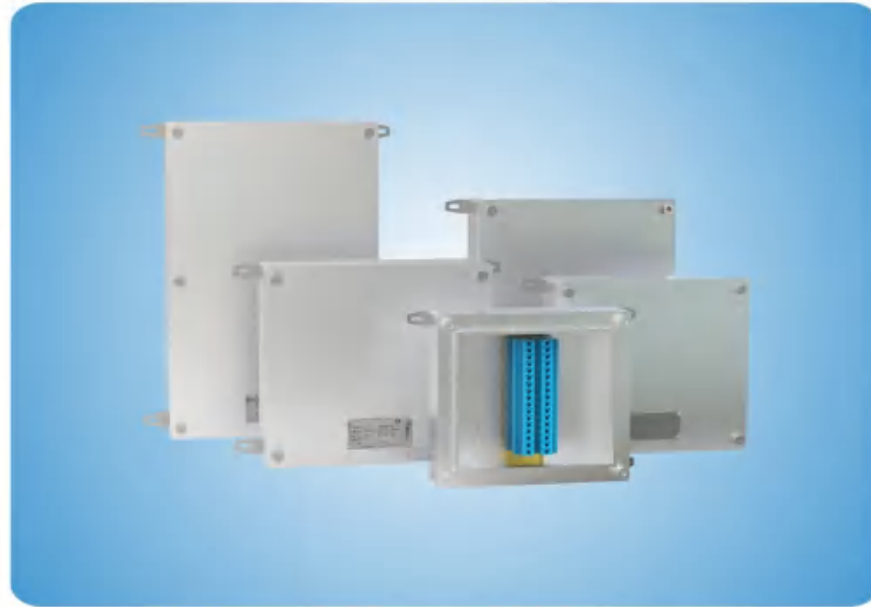
C 外形示意图 (所有尺寸单位为mm) - 可修改 Outline diagram (all dimensions in mm)-can be modified





CN900-T
系列防爆接线箱
(Ex eb IIC)
CN900-T
Series Explosion-proof
junction box
(Ex eb IIC)

IIC/Ex tb



产品概述 Product overview

- ◆ 防爆性能符合
 - CENELEC标准
 - IEC标准
 - NEC标准
- ◆ 适用于
 - 1区和2区
 - 21区和22区
 - II类, 1区和2区
 - II类, 2区, 气体组别 A, B, C, D
- ◆ 材质不锈钢(碳钢)
- ◆ 国际知名品牌防爆端子
- ◆ Explosion-proof performance conforms to
 - CENELEC standard
 - IEC standard
 - NEC standard
- ◆ Suitable for
 - Zone 1 and Zone 2
 - Zone 21 and 22
 - Class II, Zone 1 and Zone 2
 - Class II, Zone 2, gas group A, B, C, D
- ◆ Material stainless steel (carbon steel)
- ◆ Internationally renowned brand explosion-proof terminals

1区& 2区; 21区& 22区

zone1, zone2, zone21, zone22

CN900-T 系列防爆接线箱(Ex eb IIC)
CN900-T Series Explosion-proof junction box(Ex eb IIC)

G 型号含义 Model meaning

CN900-T-□□
□ □ □

- 防爆接线箱(不锈钢) Explosion-proof junction box(stainless steel)
- 壳体类型 Housing type (I, II, III...)
- 内装端子类型 Built-in terminal type (a...f)

G 技术参数 Technical parameter

防爆接线箱(Ex eb IIC Ex ia IIC) Explosion-proof junction box(Ex eb IIC Ex ia IIC)	CN900-T-□□					
防爆型式 Explosion proof type	Ex II2G Ex eb IIC T6/T4 Gb					
气体防爆型式 Gas explosion proof type	Ex II2D Ex tb IIIC T80°C/T135°C Db					
粉尘防爆型式 Dust explosion proof type						
执行标准 Executive standard	GB/T 3836.1, GB/T 3836.3, GB/T 3836.31 EN 60079-0, EN 60079-7, EN 60079-11, EN 60079-31 IEC 60079-0, IEC 60079-7, IEC 60079-11, IEC 60079-31 UL 121201, UL 508, UL 50, UL 50E, UL 508A CSA C22.2 No.213, CSA C22.2 No. 14, CSA C22.2 No. 94.1, CSA C22.2 No. 94.2					
壳体材质 Shell material	不锈钢(碳钢) Stainless steel (carbon steel)					
外露紧固件 Exposed fasteners	不锈钢 Stainless steel					
额定电压 Rated voltage	Max. 500V AC					
防护等级 Protection level	IP65、IP66					
接线端子 Terminal block	国际知名品牌防爆端子 Internationally renowned brand explosion-proof terminals 防爆标志 Explosion-proof mark: Ex II 2 GD Ex eb II					
周围环境温度 Ambient temperature	Ex eb: T6/T80°C for Tamb: -40°C~+40°C; T5/T95°C for Tamb: -40°C~+55°C Ex ia: T6/T80°C for Tamb: -40°C~+50°C					
额定电流 Rated current	横截面 Cross section	2.5mm ²	4mm ²	6mm ²	10mm ²	16mm ²
	Ex eb额定电流 Ex eb rated current	24A	32A	41A	57A	76A
	Ex ia额定电流 Ex ia rated current	5A	5A	—	—	—
	横截面 Cross section	35mm ²	70mm ²	120mm ²	185mm ²	300mm ²
	Ex eb额定电流 Ex eb rated current	125A	192A	269A	353A	520A
Ex ia额定电流 Ex ia rated current	—	—	—	—	—	



G 电缆引入口表 Cable entry table

电缆引入装置CN970系列的电缆引入口最大可能值表 Table of maximum possible values of cable entries for CN970 series of cable entries

尺寸 Size		尺寸 Size								
		M20 x 1.5	M25 x 1.5	M32 x 1.5	M40 x 1.5	M50 x 1.5	M63 x 1.5	M75 x 1.5	M90 x 1.5	M115 x 1.5
I	A/B	2	1	/	/	/	/	/	/	/
	C/D	2	1	/	/	/	/	/	/	/
II	A/B	3	3	2	/	/	/	/	/	/
	C/D	4	3	3	/	/	/	/	/	/
III	A/B	9	8	6	3	2	2	/	/	/
	C/D	9	8	6	3	2	2	/	/	/
IV	A/B	12	10	8	4	3	2	/	/	/
	C/D	12	10	8	4	3	2	/	/	/
V	A/B	12	12	10	5	3	2	/	/	/
	C/D	16	16	12	7	4	3	/	/	/
VI	A/B	22	22	14	8	6	4	/	/	/
	C/D	30	30	17	11	8	6	/	/	/
VII	A/B	20	18	12	6	5	4	/	/	/
	C/D	20	18	12	6	5	4	/	/	/
VIII	A/B	38	36	21	11	9	7	/	/	/
	C/D	38	36	21	11	9	7	/	/	/
IX	A/B	20	18	12	6	5	5	/	/	/
	C/D	28	24	16	14	12	5	/	/	/
X	A/B	47	45	28	16	10	8	/	/	/
	C/D	57	55	36	20	12	10	/	/	/
XI	A/B	40	26	14	10	8	5	/	/	/
	C/D	54	40	26	20	9	7	/	/	/
XII	A/B	62	59	38	20	12	10	8	6	3
	C/D	88	78	52	30	26	17	12	9	4
XIII	A/B	83	73	50	28	24	17	11	9	4
	C/D	128	113	74	42	35	26	17	15	6
XIV	A/B	149	131	88	43	40	28	17	14	7
	C/D	230	203	130	63	60	43	26	23	11

注: 1. 本系列产品出厂时不加工电缆引入口, 需用户自己加工。

2. 如需电缆引入口:

- 1) 请确认每个电缆引入口的方向和尺寸。
- 2) 本系列产品出厂时不配电缆引入装置, 推荐使用CN960-I(Ex eb)。

Note: 1. This series of products do not process the cable inlet when they leave the factory, and need to be processed by user.

2. If cable entry is required:

- 1) Please confirm the direction and size of each cable entry port.
- 2) This series of products are not equipped with cable entry devices when they leave the factory. Recommend to use CN960-I(Ex eb).

G CN900-T 系列接线箱选配表 CN900-T Series junction box optional table

连接端子电缆的最大截面积为35mm² The maximum cross-sectional area of the connecting terminal cable is 35mm²

最大合适端子数见表 The maximum number of suitable terminals is shown in the table

壳体代号/订货代号 Shell code/order code	外形图 Outline	电缆截面积 (mm ²) Cable cross-sectional area (mm ²)											
		2.5 (a)	4 (b)	6 (c)	10 (d)	16 (e)	35 (f)	70 (g)	120 (h)	185 (i)	300 (j)		
I		10	8	—	—	—	—	—	—	—	—	—	—
II		15	12	10	—	—	—	—	—	—	—	—	—
III		25	22	18	15	12	8	—	—	—	—	—	—
IV		30	28	25	20	14	10	—	—	—	—	—	—
V		40	35	30	25	20	12	—	—	—	—	—	—

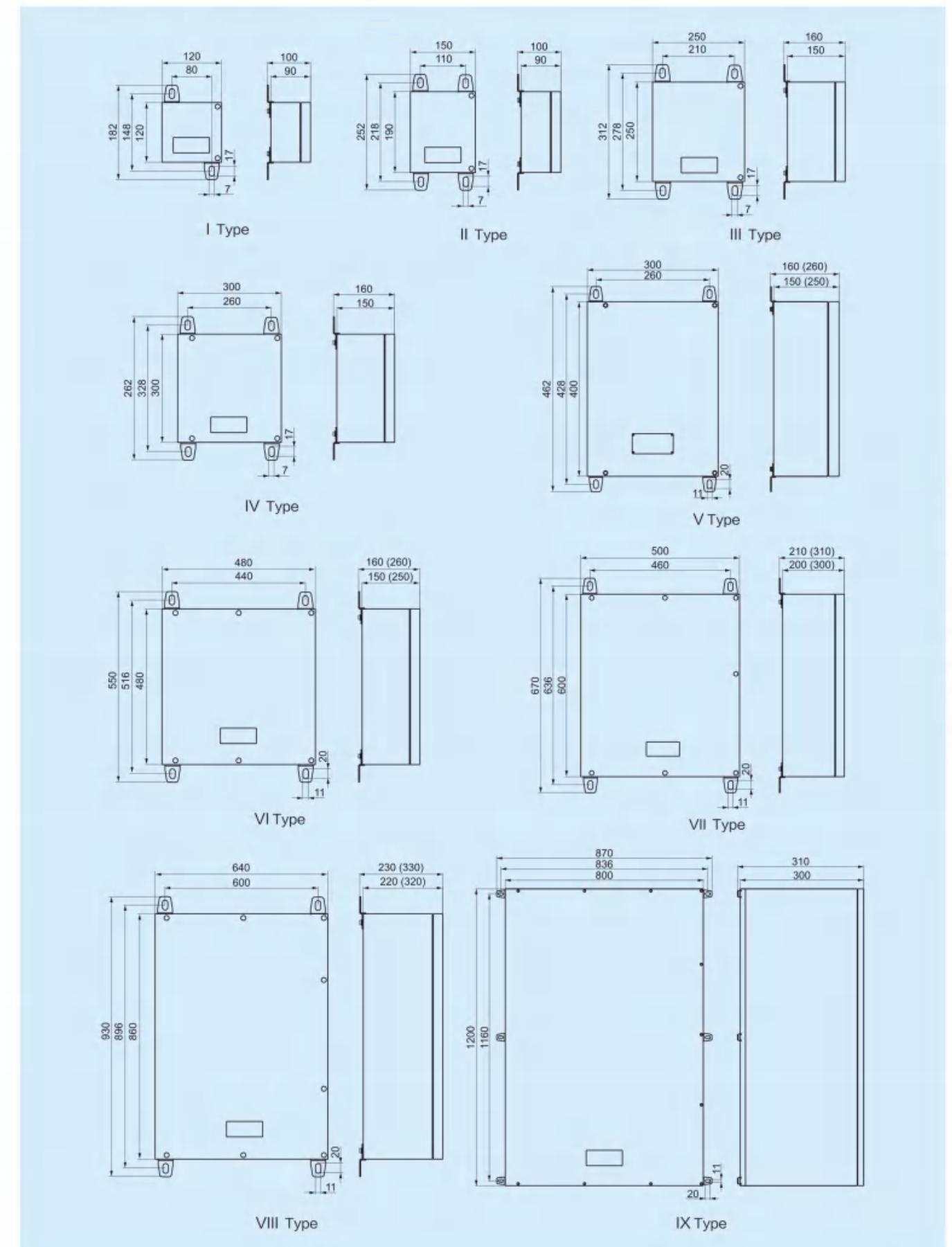


G CN900-T 系列接线箱选配表 CN900-T Series junction box optional table

连接端子电缆的最大截面积为35mm² The maximum cross-sectional area of the connecting terminal cable is 35mm²
最大合适端子数见表 The maximum number of suitable terminals is shown in the table

电缆截面积 (mm ²) Cable cross-sectional area (mm ²)		2.5 (a)	4 (b)	6 (c)	10 (d)	16 (e)	35 (f)	70 (g)	120 (h)	185 (i)	300 (j)
壳体代号/订货代号 Shell code/order code	外形图 Outline										
VI		60	55	45	35	30	20	—	—	—	—
		120	110	90	70	60	—	—	—	—	—
VII		160	140	100	80	70	50	—	—	—	—
		160	140	100	80	70	50	—	—	—	—
VIII		300	270	240	165	135	72	—	—	—	—
		300	270	240	165	135	72	—	—	—	—
IX		160	150	120	100	80	75	30	20	15	15
		320	300	240	200	160	150	—	—	—	—
		480	450	360	300	240	—	—	—	—	—

G 外形示意图 (所有尺寸单位为mm) - 可修改 Outline diagram (all dimensions in mm)-can be modified





CN910 系列防爆接线盒

CN910
Series Explosion-proof
junction box

IIC/Ex tb



C 产品概述 Product overview

- ◆ 防爆性能符合
 - CENELEC标准
 - IEC标准
 - NEC标准
- ◆ 适用于
 - 1区和2区
 - 21区和22区
 - II类, 1区和2区
 - II类, 1区, 气体组别 A, B, C, D
- ◆ 本产品有A、B、C、D、E、F共六种结构形式。
- ◆ A、B、C、D、E型壳体只有无铜铝材质, F型壳体有无铜铝和铸铁两种材质。
- ◆ Explosion-proof performance conforms to
 - CENELEC standard
 - IEC standard
 - NEC standard
- ◆ Suitable for
 - Zone 1 and Zone 2
 - Zone 21 and 22
 - Class II, Zone 1 and Zone 2
 - Class II, Zone 1, gas group A, B, C, D
- ◆ This product has six structural forms: A, B, C, D, E, F.
- ◆ Type A, B, C, D and E shells are only made of copper-free aluminum, while type F shells are made of two materials one is copper free aluminum and the other one is cast iron.

1区& 2区; 21区& 22区

zone1, zone2, zone21, zone22

CN910 系列防爆接线盒 CN910 Series Explosion-proof junction box

C 型号含义 Model meaning

CN910 - □/□/□
① ② ③ ④

- ① 防爆接线盒 Explosion-proof junction box
- ② 外形代号 Shape code (A、B、C、D、E、F)
- ③ 螺纹规格 Thread specifications (M、G、NPT)
- ④ T: 铸铁 (仅适用于F型) Cast iron (only for F type)

C 选配表 Selection table

型号/订货代号 Model/order code	外形图 Outline
CN910-A/M20 x 1.5	A Type
CN910-A/M25 x 1.5	
CN910-B/M20 x 1.5	B Type
CN910-B/M25 x 1.5	
CN910-C/M20 x 1.5	C Type
CN910-C/M25 x 1.5	
CN910-D/M20 x 1.5	D Type
CN910-D/M25 x 1.5	
CN910-E/M20 x 1.5	E Type
CN910-E/M25 x 1.5	
CN910-F/M25 x 1.5	F Type

C 接线端子 Terminals

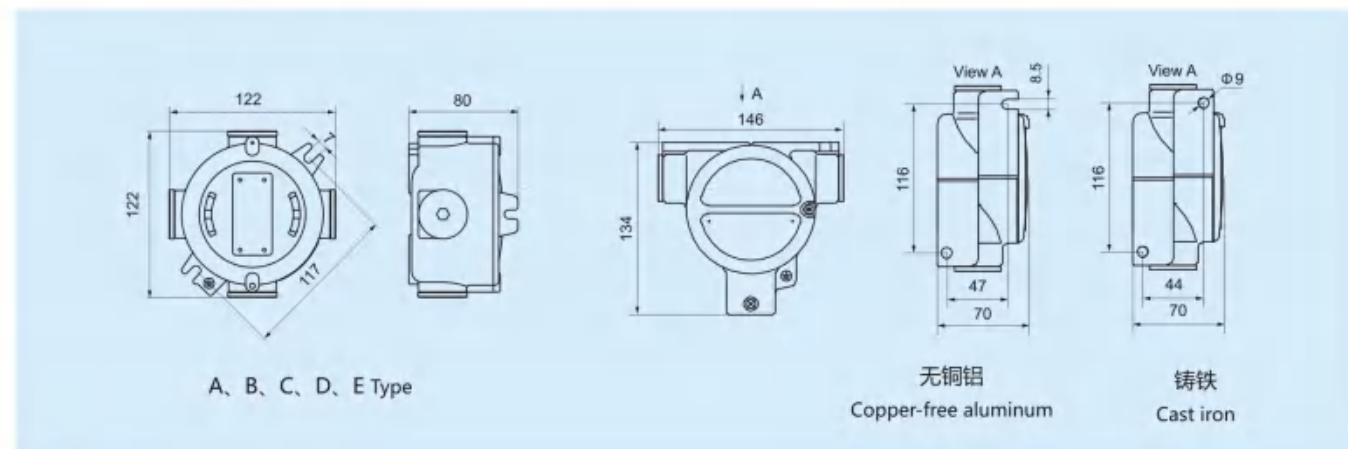
名称 Name	图示 Illustration	数量 Quantity	订货代号 Order code	备注 Remarks
接线端子 Terminal block		6	30008	用于A、B、C、D、E型壳体 Used for A, B, C, D, E type shell
接线座 Terminal block		4	30009	用于F型壳体 For F-type housing



G 技术参数 Technical parameter

防爆接线盒 Explosion-proof junction box	CN910-□/□/□
防爆型式 Explosion proof type	Ex II2G Ex db IIC/IIB T6 Gb
气体防爆型式 Gas explosion proof type	Ex II2D Ex tb IIIC T80°C Db
粉尘防爆型式 Dust explosion proof type	
执行标准 Executive standard	GB/T 3836.1, GB/T 3836.2, GB/T 3836.31 EN 60079-0, EN 60079-1, EN 60079-31, IEC 60079-0, IEC 60079-1, IEC 60079-31
壳体材质 Shell material	无铜铝或铸铁或不锈钢, 表面喷塑 Copper-free aluminum or cast iron or stainless steel, surface sprayed
壳体颜色 Shell color	黄色 Yellow
外露紧固件 Exposed fasteners	不锈钢 Stainless steel
额定电流 Rated current	20A
额定电压 Rated voltage	Max. 500V AC
端子数量 Terminal quantity	6节端子(A型-E型), 4节端子(F型) 6-Section terminal (Type A-E), 4-section terminal (Type F)
电缆截面 Cable cross section	0.2~2.5mm ²
防护等级 Protection level	IP65、IP66
周围环境温度 Ambient temperature	-60°C~+55°C
电缆引入装置(可选) Cable entry device (optional)	推荐使用 Recommend to use CN970-II (Ex db)或 CN970-III (Ex db)
电缆引入口 Cable entry	标准 M□ x 1.5 堵头 Standard M□ x 1.5 Plugging 特殊 G□堵头或NPT□堵头 (见选配表) Special G□Plugging or NPT□Plugging (see option table)
主要用途说明 Main purpose description	A型-E型用于线路中布线或分线; Type A-E is used for wiring or branching in the circuit; F型用作吊杆式或吸顶式灯具的安装配件。 Type F is used as an installation accessory for boom-type or ceiling-mounted lamps.

G 外形示意图 (所有尺寸单位为mm) - 可修改 Outline diagram (all dimensions in mm)-can be modified



CN910
系列防爆接线盒
CN910
Series Explosion-proof
junction box



G 产品概述 Product overview

- ◆ 防爆性能符合
 - CENELEC标准
 - IEC标准
 - NEC标准
- ◆ 适用于
 - 1区和2区
 - 21区和22区
 - II类, 1区和2区
 - II类, 1区, 气体组别 A, B, C, D
- ◆ 本产品有A、B、C、D共4种结构形式。
- ◆ 无铜铝外壳, 表面喷塑。
- ◆ Explosion-proof performance conforms to
 - CENELEC standard
 - IEC standard
 - NEC standard
- ◆ Suitable for
 - Zone 1 and Zone 2
 - Zone 21 and 22
 - Class II, Zone 1 and Zone 2
 - Class II, Zone 1, gas group A, B, C, D
- ◆ This product has 4 types of structures: A, B, C, D.
- ◆ Copper-free aluminum shell with plastic-sprayed surface.

1区&2区; 21区&22区
zone1, zone2, zone21, zone22



G 型号含义 Model meaning

CN910 - □ / □
□ □ □

- 防爆接线盒 Explosion-proof junction box
- 外形代号 Shape code (A, B, C, D)
- 螺纹规格 Thread specifications (M, G, NPT)

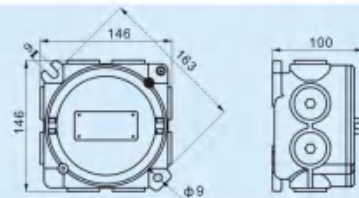
G 选配表 Selection table

型号/订货代号 Model/order code	示意图 Schematic diagram	上 Up	下 Down	左 Left	右 Right
CN910-A/M20×2.5 CN910-A/M25×1.5 CN910-A/M32×1.5	A Type	—	—	2-M□×1.5	2-M□×1.5
CN910-B/M20×2.5 CN910-B/M25×1.5 CN910-B/M32×1.5	B Type	2-M□×1.5	—	—	2-M□×1.5
CN910-C/M20×2.5 CN910-C/M25×1.5 CN910-C/M32×1.5	C Type	2-M□×1.5	—	2-M□×1.5	2-M□×1.5
CN910-D/M20×2.5 CN910-D/M25×1.5 CN910-D/M32×1.5	D Type	2-M□×1.5	2-M□×1.5	2-M□×1.5	2-M□×1.5

G 技术参数 Technical parameter

防爆接线盒 Explosion-proof junction box	CN910-□/□		
防爆型式 Explosion proof type	Ex II2G Ex db IIC/IIB T6 Gb		
气体防爆型式 Gas explosion proof type	Ex II2D Ex tb IIIC T80°C Db		
粉尘防爆型式 Dust explosion proof type			
执行标准 Executive standard	GB/T 3836.1, GB/T 3836.2, GB/T 3836.31 EN 60079-0, EN 60079-1, EN 60079-31, IEC 60079-0, IEC 60079-1, IEC 60079-31 UL 1203, UL 508, UL 50, UL 50E, UL 508A CSA C22.2 No.30, CSA C22.2 No.25, CSA C22.2 No.14 CSA C22.2 No.94.1, CSA C22.2 No.94.2		
壳体材质 Shell materia	无铜铝, 表面喷塑 Copper-free aluminum, plastic sprayed on the surface		
壳体颜色 Shell color	窗灰色 Window gray		
外露紧固件 Exposed fasteners	不锈钢 Stainless steel		
额定电压 Rated voltage	Max. 500V AC		
防护等级 Protection level	IP65、IP66		
周围环境温度 Ambient temperature	-60°C~+60°C		
电缆引入装置(可选) Cable entry device(optional)	推荐使用 Recommend to use CN970-II(Ex db)或or CN970-III(Ex db)		
电缆引入口 Cable entry	标准 Standard M□ x 1.5 堵头 Plugging 特殊 G□堵头或NPT□堵头 (见选配表) Special G□Plugging or NPT□Plugging (see option table)		
额定电流和端子参数 Rated current and terminal parameters	横截面 Cross section	2.5mm ²	4mm ² 6mm ²
	额定电流 Rated current	24A	32A 41A
	端子数量 Number of terminals	12	10 8

G 外形示意图 (所有尺寸单位为mm) - 可修改 Outline diagram (all dimensions in mm) - can be modified



CN910
系列接线盒

CN910
Series junction box

Ex eb/Ex tb



G 产品概述 Product overview

- ◆ 防爆性能符合
 - CENELEC标准
 - IEC标准
 - NEC标准
- ◆ 适用于
 - 1区和2区
 - 21区和22区
 - II类, 1区和2区
 - II类, 2区, 气体组别 A, B, C, D
- ◆ 外壳材质GRP(工程塑料)
- ◆ Explosion-proof performance conforms to
 - CENELEC standard
 - IEC standard
 - NEC standard
- ◆ Suitable for
 - Zone 1 and Zone 2
 - Zone 21 and 22
 - Class II, Zone 1 and Zone 2
 - Class II, Zone 2, gas group A, B, C, D
- ◆ Shell material GRP(engineering plastic)

1区&2区; 21区&22区

zone1, zone2, zone21, zone22



G 型号含义 Model meaning

CN910-20/6 □
□ 1 2 3 4

- 接线盒 (GRP)工程塑料 Junction Box (GRP)engineering plastic
- 额定电流 Rated current
- 端子数量 Number of terminals
- 壳体类型 Housing type (A1, A2, B1, B2, C1, C2...)

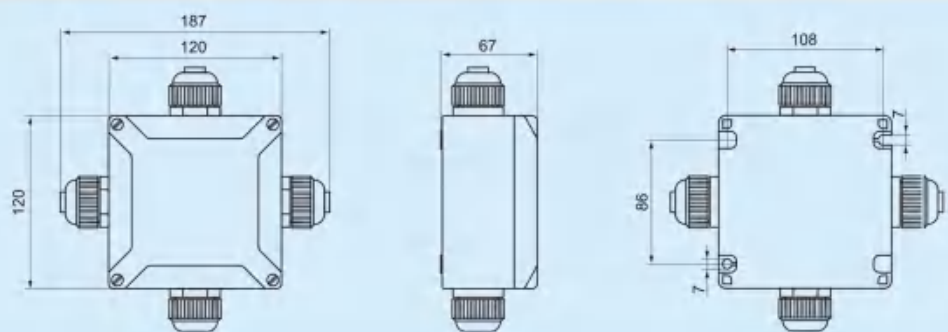
G 技术参数 Technical parameter

接线盒 Junction box	CN910-20/6□
防爆型式 Explosion proof type	
气体防爆型式 Gas explosion proof type	Ex II2G Ex eb IIC T6 Gb Ex tb IIIC T80°C Db
粉尘防爆型式 Dust explosion proof type	
执行标准 Executive standard	GB/T 3836.1, GB/T 3836.3, GB/T 3836.31 EN 60079-0, EN 60079-7, IEC 60079-0, IEC 60079-7, IEC 61241-0, IEC 61241-1
壳体材质 Shell material	GRP(工程塑料) GRP(engineering plastic)
接线端子 Terminal block	螺柱式接线端子(6节) Stud type terminal(6 sections)
电缆截面 Cable cross section	0.2~4mm ²
外露紧固件 Exposed fasteners	不锈钢 Stainless steel
额定电压 Rated voltage	Max. 500V AC
额定电流 Rated current	20A
防护等级 Protection level	IP65、IP66
周围环境温度 Ambient temperature	-20°C ~ +55°C
电缆引入口 Cable entry	标准; 见选配表 Standard; see matching table

G 接线端子 Terminals

名称 Name	图示 Illustration	最大电流 Maximum current	订货代号 Order code
螺柱式接线端子 Stud type terminal		20A	30010

G 外形示意图 (所有尺寸单位为mm) - 可修改 Outline diagram (all dimensions in mm)-can be modified



G 选配表 Selection table

型号/订货代号 Model/order code	示意图 Schematic diagram	电缆引入装置 Cable entry device
CN910-20/6A1	A1	1 x M20 x 1.5 CN970-I (塑料)Plastics
CN910-20/6A2	A2	1 x M25 x 1.5 CN970-I (塑料)Plastics
CN910-20/6B1	B1	2 x M20 x 1.5 CN970-I (塑料)1个堵轴 2 x M20 x 1.5 CN970-I(plastic)1 plug shaft
CN910-20/6B2	B2	2 x M25 x 1.5 CN970-I (塑料)1个堵轴 2 x M25 x 1.5 CN970-I(plastic)1 plug shaft
CN910-20/6C1	C1	3 x M20 x 1.5 CN970-I (塑料)2个堵轴 3 x M20 x 1.5 CN970-I(plastic)2 plugged shafts
CN910-20/6C2	C2	3 x M25 x 1.5 CN970-I (塑料)2个堵轴 3 x M25 x 1.5 CN970-I(plastic)2 plugged shafts
CN910-20/6D1	D1	4 x M20 x 1.5 CN970-I (塑料)3个堵轴 4 x M20 x 1.5 CN970-I(plastic)3 plugged shafts
CN910-20/6D2	D2	4 x M25 x 1.5 CN970-I (塑料)3个堵轴 4 x M25 x 1.5 CN970-I(plastic)3 plugged shafts
CN910-20/6E1	E1	2 x M20 x 1.5 CN970-I (塑料)1个堵轴 2 x M20 x 1.5 CN970-I(plastic)1 plug shaft
CN910-20/6E2	E2	2 x M25 x 1.5 CN970-I (塑料)1个堵轴 2 x M25 x 1.5 CN970-I (plastic)1 plug shaft
CN910-20/6F1	F1	4 x M20 x 1.5 CN970-I (塑料)3个堵轴 4 x M20 x 1.5 CN970-I(plastic)3 plugged shafts
CN910-20/6F2	F2	4 x M25 x 1.5 CN970-I (塑料)3个堵轴 4 x M25 x 1.5 CN970-I(plastic)3 plugged shafts
CN910-20/6G1	G1	5 x M20 x 1.5 CN970-I (塑料)4个堵轴 5 x M20 x 1.5 CN970-I(plastic)4 plugged shafts
CN910-20/6G2	G2	5 x M25 x 1.5 CN970-I (塑料)4个堵轴 5 x M25 x 1.5 CN970-I(plastic)4 plugged shafts
CN910-20/6H1	H1	6 x M20 x 1.5 CN970-I (塑料)5个堵轴 6 x M20 x 1.5 CN970-I(plastic)5 plug shafts
CN910-20/6H2	H2	6 x M25 x 1.5 CN970-I (塑料)5个堵轴 6 x M25 x 1.5 CN970-I(plastic)5 plugged shafts
CN910-20/6I1	I1	7 x M20 x 1.5 CN970-I (塑料)6个堵轴 7 x M20 x 1.5 CN970-I(plastic)6 plugged shafts
CN910-20/6I2	I2	7 x M25 x 1.5 CN970-I (塑料)6个堵轴 7 x M25 x 1.5 CN970-I(plastic)6 plugged shafts



CN920 系列防爆穿线盒

CN920
Series Explosion-proof
threading box

IIC/Ex tb



C 产品概述 Product overview

- ◆ 防爆性能符合
 - CENELEC标准
 - IEC标准
 - NEC标准
- ◆ 适用于
 - 1区和2区
 - 21区和22区
 - II类, 1区和2区
 - II类, 2区, 气体组别 A, B, C, D
- ◆ 外壳材质为铝合金(不锈钢、碳钢)。
- ◆ 广泛应用于钢管布线系统。
- ◆ Explosion-proof performance conforms to
 - CENELEC standard
 - IEC standard
 - NEC standard
- ◆ Suitable for
 - Zone 1 and Zone 2
 - Zone 21 and 22
 - Class II, Zone 1 and Zone 2
 - Class II, Zone 2, gas group A, B, C, D
- ◆ The shell material is aluminum alloy (stainless steel, carbon steel).
- ◆ Widely used in steel pipe wiring system.

1区& 2区; 21区& 22区

zone1, zone2, zone21, zone22

CN920 系列防爆穿线盒 CN920 Series Explosion-proof threading box

C 型号含义 Model meaning

CN920 - □ □ □
□ □ □

- 防爆穿线盒 Explosion-proof threading box
- 螺纹规格 Thread specification
 - M: 公制螺纹 Metric thread
 - NPT: NPT 螺纹 NPT thread
 - G: 管螺纹 Pipe thread
- 结构形式 Structure: A、B、C、D、E、F、G、H
- 尺寸 Size

C 技术参数 Technical parameter

防爆穿线盒 Explosion-proof threading box	CN920-□□□
防爆型式 Explosion proof type	Ex IIC Ex eb IIC Gb
气体防爆型式 Gas explosion proof type	Ex IIC Ex tb IIC Db
粉尘防爆型式 Dust explosion proof type	
执行标准 Executive standard	GB/T 3836.1, GB/T 3836.3, GB/T 3836.31 EN 60079-0, EN 60079-7, EN 60079-31, IEC 60079-0, IEC 60079-7, IEC 60079-31
壳体材质 Shell material	铝合金(不锈钢、碳钢) Aluminum alloy (stainless steel, carbon steel)
壳体颜色 Shell color	窗灰色 Window gray
防护等级 Protection level	IP65、IP66
周围环境温度 Ambient temperature	-60°C~+100°C
结构形式 Structure form	A、B、C、D、E、F、G、H
连接螺纹 Connection thread	1. 常规供货为管螺纹(G), 如有特殊要求, 例如公制螺纹(M)、NPT螺纹, 订货时请注明。 2. 公制螺纹产品标准螺距为1.5mm, 其它螺距可以定制, 订货时请注明。 1. Regular supply is pipe thread (G), if you have special requirements, such as metric thread (M), NPT thread, please specify when ordering. 2. The standard pitch of metric thread products is 1.5mm, other pitches can be customized, please specify when ordering.

注: M75、M90、M115公制螺纹及对应的G螺纹和NPT螺纹可定制。

Note: M75, M90, M115 Metric threads and the corresponding G threads and NPT threads can be customized.

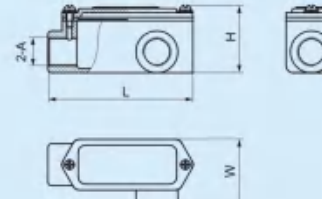
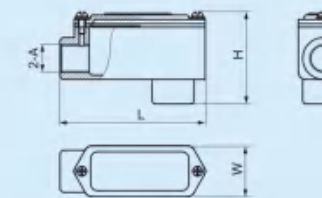
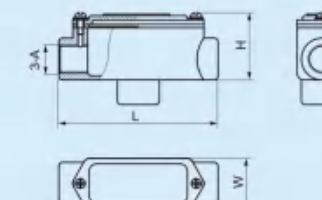
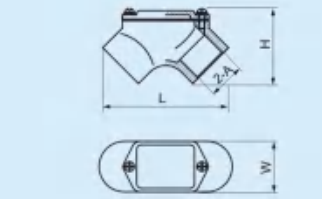


G 选配表 Selection table

型号 Model	内螺纹 "A" Internal thread "A"			尺寸 Size(mm)		
	公制 Metric	NPT	G	W	H	L
 A Type	M20	1/2"	1/2"	35	45	110
	M25	3/4"	3/4"	38	49	118
	M32	1"	1"	45	54	145
	M40	1 1/4"	1 1/4"	54	65	170
	M50	1 1/2"	1 1/2"	60	71	176
	M63	2"	2"	72	83	204
 B Type	M20	1/2"	1/2"	52	45	110
	M25	3/4"	3/4"	55	49	118
	M32	1"	1"	63.5	54	145
	M40	1 1/4"	1 1/4"	71	65	170
	M50	1 1/2"	1 1/2"	80	71	176
	M63	2"	2"	93.5	83	204
 C Type	M20	1/2"	1/2"	69	45	110
	M25	3/4"	3/4"	72	49	118
	M32	1"	1"	80	54	145
	M40	1 1/4"	1 1/4"	88	65	170
	M50	1 1/2"	1 1/2"	100	71	176
	M63	2"	2"	115	83	204
 D Type	M20	1/2"	1/2"	52	45	101
	M25	3/4"	3/4"	55	49	108
	M32	1"	1"	63	54	135
	M40	1 1/4"	1 1/4"	71	65	162.5
	M50	1 1/2"	1 1/2"	80	71	165.5
	M63	2"	2"	93.5	83	194.5

CNPGEEx 中油防爆
ZHONG YOU EXPLOSION PROOF ELECTRICAL

G 选配表 Selection table

型号 Model	内螺纹 "A" Internal thread "A"			尺寸 Size(mm)		
	公制 Metric	NPT	G	W	H	L
 E Type	M20	1/2"	1/2"	52	45	101
	M25	3/4"	3/4"	55	49	108
	M32	1"	1"	63	54	135
	M40	1 1/4"	1 1/4"	71	65	162.5
	M50	1 1/2"	1 1/2"	80	71	165.5
	M63	2"	2"	93.5	83	194.5
 F Type	M20	1/2"	1/2"	35	62	101
	M25	3/4"	3/4"	38	66	108
	M32	1"	1"	46	71	135
	M40	1 1/4"	1 1/4"	54	82	162.5
	M50	1 1/2"	1 1/2"	60	91	165.5
	M63	2"	2"	72	104	194.5
 G Type	M20	1/2"	1/2"	35	62	110
	M25	3/4"	3/4"	38	66	118
	M32	1"	1"	46	71	145
	M40	1 1/4"	1 1/4"	54	82	170
	M50	1 1/2"	1 1/2"	60	91	176
	M63	2"	2"	72	104	204
 H Type	M20	1/2"	1/2"	30	51	84
	M25	3/4"	3/4"	35	53	89
	M32	1"	1"	41	64	108
	M40	1 1/4"	1 1/4"	51	69	116
	M50	1 1/2"	1 1/2"	57	76	130
	M63	2"	2"	70	95	168

CNPGEEx 中油防爆
ZHONG YOU EXPLOSION PROOF ELECTRICAL



CN962
系列防爆隔离密封盒
CN962
Series Explosion-proof
isolation sealed box

IIC/Ex tb



C 产品概述 Product overview

- ◆ 防爆性能符合
 - CENELEC标准
 - IEC标准
 - NEC标准
- ◆ 适用于
 - 1区和2区
 - 21区和22区
- ◆ 材质铝合金(不锈钢)
- ◆ 广泛应用于管道与管道、管道与防爆腔体之间的隔离密封。
- ◆ Explosion-proof performance conforms to
 - CENELEC standard
 - IEC standard
 - NEC standard
- ◆ Suitable for
 - Zone 1 and Zone 2
 - Zone 21 and 22
- ◆ Material aluminum alloy (stainless steel)
- ◆ It is widely used in isolation and sealing between pipelines, pipelines and Explosion-proof chambers.

1区& 2区; 21区& 22区

zone1, zone2, zone21, zone22

CN962 系列防爆隔离密封盒
CN962 Series Explosion-proof isolation sealed box

C 型号含义 Model meaning

CN962 - □ □ □
□ □ □ □

- 防爆隔离密封盒 Explosion-proof isolation sealed box
- 结构形式 Structure form
 - Z: 纵向型 Vertical type
 - H: 横向型 Horizontal type
 - P: 排水型 Drainage type
- 螺纹规格 Thread specification
 - M: 公制螺纹 Metric thread
 - NPT: NPT 螺纹 NPT thread
 - G: 管螺纹 Pipe thread
- 尺寸 Size

C 技术参数 Technical parameter

防爆隔离密封盒 Explosion-proof isolation sealed box	CN962-□□□
防爆型式 Explosion proof type 气体防爆型式 Gas explosion proof type 粉尘防爆型式 Dust explosion proof type	Ex II2G Ex db IIC T6 Gb Ex II2D Ex tb IIIC T80°C Db
执行标准 Executive standard	EPT 14 ATEX 1124X; IECEx CQM 13.0029X; RU C-CN.ГБ08.B.00927(CU-TR) EN 60079-0, EN 60079-1, EN 60079-7, EN 60079-31 IEC 60079-0, IEC 60079-1, IEC 60079-7, IEC 60079-31
壳体材质 Shell material	铝合金(不锈钢) Aluminum alloy (stainless steel) 注: 其它材质可选 Note: other materials are optional
壳体颜色 Shell color	窗灰色 Window gray
防护等级 Protection level	IP65、IP66
周围环境温度 Ambient temperature	-60°C~+75°C
结构形式 Structure form	Z型、H型、P型 Z type, H type, P type
连接螺纹 Connection thread	1.常规供货为管螺纹(G), 如有特殊要求, 例如公制螺纹(M)、NPT螺纹, 订货时请注明。 常规供货不提供填料, 如需要请注明。 2.公制螺纹产品标准螺距为1.5mm, 其它螺距可以定制, 订货时请注明。 1. Regular supply is pipe thread (G), if you have special requirements, such as metric thread (M), NPT thread, please specify when ordering. Packing is not available for regular supply, please specify if required. 2. The standard pitch of metric thread products is 1.5mm, other pitches can be customized, please specify when ordering.

注: M75、M90、M115公制螺纹及对应的G螺纹和NPT螺纹可定制。

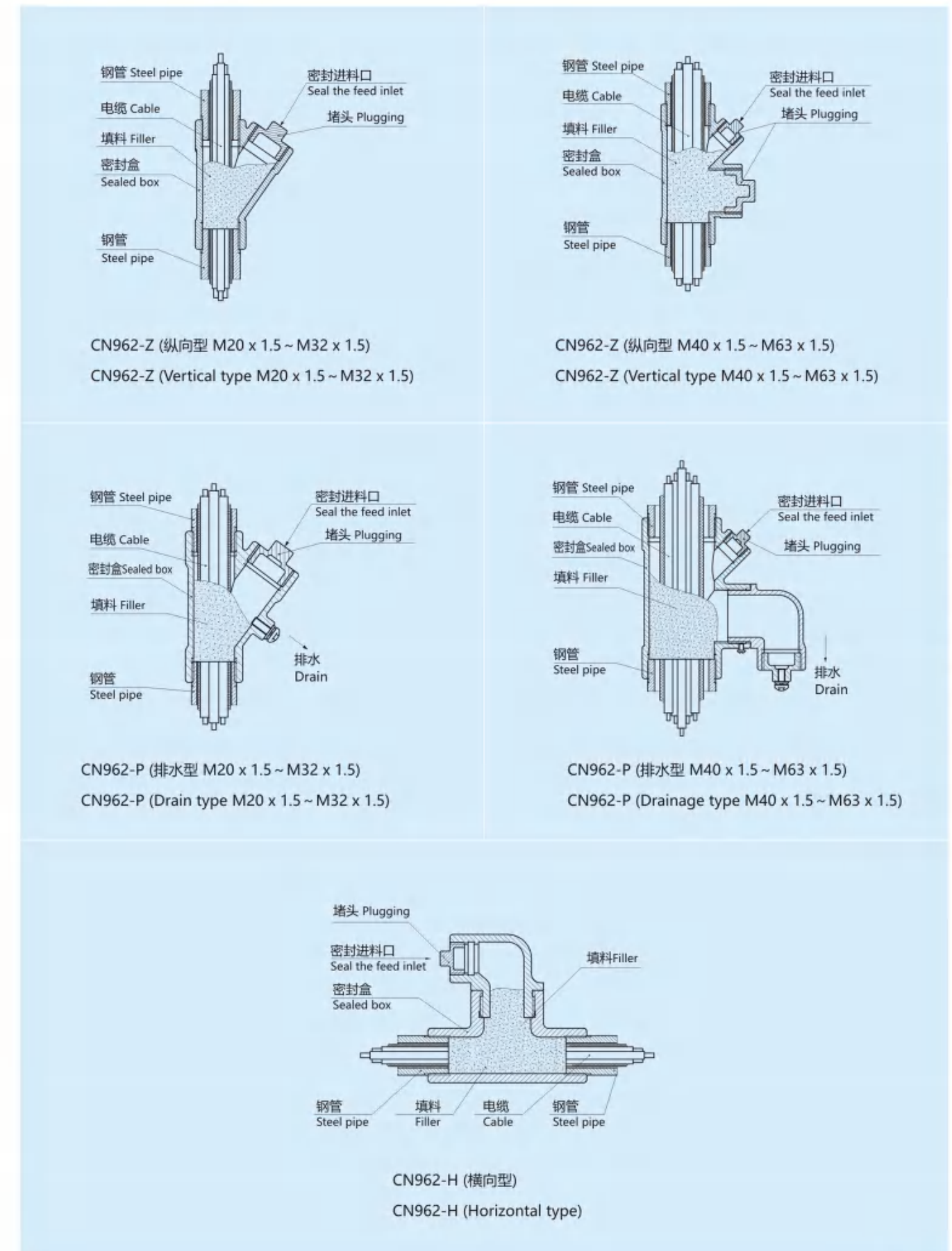
Note: M75, M90, M115 Metric threads and the corresponding G threads and NPT threads can be customized.



C 选配表 Selection table

型号 Model	内螺纹 "H" Internal thread "H"			尺寸 Size(mm)		电缆外径 (mm) Cable outer diameter
	公制 Metric	NPT	G	A	B	
 Z Type	M20	1/2"	1/2"	77	54	8~10
	M25	3/4"	3/4"	87	65	10~14
	M32	1"	1"	102	78	12~17
 Z Type	M40	1 1/4"	1 1/4"	130	87	15~23
	M50	1 1/2"	1 1/2"	130	92	17~26
	M63	2"	2"	140	107	25~35
 H Type	M20	1/2"	1/2"	74	95	8~10
	M25	3/4"	3/4"	74	101	10~14
	M32	1"	1"	74	107	12~17
	M40	1 1/4"	1 1/4"	98	115	15~23
	M50	1 1/2"	1 1/2"	98	134	17~26
	M63	2"	2"	120	142	25~35
 P Type	M20	1/2"	1/2"	88	61	8~10
	M25	3/4"	3/4"	100	74	10~14
	M32	1"	1"	111	83	12~17
 P Type	M40	1 1/4"	1 1/4"	130	116	15~23
	M50	1 1/2"	1 1/2"	130	121	17~26
	M63	2"	2"	140	143	25~35

C 示意图 Schematic diagram





CN950
系列防爆接头
CN950
Series Explosion-proof joints

IIC/Ex tb



C 产品概述 Product overview

- ◆ 防爆性能符合
 - CENELEC标准
 - IEC标准
- ◆ 适用于
 - 1区和2区
 - 21区和22区
- ◆ 材质黄铜镀镍、不锈钢、碳素钢表面镀锌处理等三种材质。
- ◆ Explosion-proof performance conforms to
 - CENELEC standard
 - IEC standard
- ◆ Suitable for
 - Zone 1 and Zone 2
 - Zone 21 and 22
- ◆ Material Brass nickel-plated, stainless steel, carbon steel surface galvanized treatment and other three materials.

1区& 2区; 21区& 22区

zone1, zone2, zone21, zone22

CN950 系列防爆接头
CN950 Series explosion-proof joints

G 型号含义 Model meaning

CN950 - □□□(□)/□□(□)
□ □ □ □ □ □ □ □

- 防爆接头 Explosion-proof joints
- 功能形式 Functional form
 - I: 管接头 Pipe joint
 - II: 变径接头 Reducer
 - III: 活接头 Union
- 螺纹规格 Thread specification
 - M: 公制螺纹 Metric thread
 - NPT: NPT螺纹 NPT thread
 - G: 管螺纹 Pipe thread
- 尺寸 Size
- 螺纹方向 Thread direction
 - M: 外螺纹 External thread
 - F: 内螺纹 Internal thread
- 螺纹规格 Thread specification
 - M: 公制螺纹 Metric thread
 - NPT: NPT螺纹 NPT thread
 - G: 管螺纹 Pipe thread
- 尺寸 Size
- 螺纹方向 Thread direction
 - M: 外螺纹 External thread
 - F: 内螺纹 Internal thread

G 技术参数 Technical parameter

防爆接头 Explosion-proof joints	CN950-□□□(□)/□□(□)
防爆型式 Explosion proof type 气体防爆型式 Gas explosion proof type 粉尘防爆型式 Dust explosion proof type	<ul style="list-style-type: none"> Ex II2G Ex db eb IIC Gb Ex II2D Ex tb IIIC Db
执行标准 Executive standard	GB/T 3836.1, GB/T 3836.2, GB/T 3836.3, GB/T 3836.31; EN 60079-0, EN 60079-1, EN 60079-7, EN 60079-31, IEC 60079-0, IEC 60079-1, IEC 60079-7, IEC 60079-31
产品材质 Product material	黄铜镀镍、不锈钢、碳素钢表面镀锌处理等三种。 There are three types: nickel-plated brass, stainless steel, and zinc-plated carbon steel.
防护等级 Protection level	IP65、IP66
周围环境温度 Ambient temperature	-60°C~+100°C
结构形式 Structure form	F/F, M/F 或 M/M
连接螺纹 Connection thread	管接头、变径接头、活接头 Pipe joints, reducer joints, live joints

注: M75、M90、M115公制螺纹及对应的G螺纹和NPT螺纹可定制。

Note: M75, M90, M115 Metric threads and the corresponding G threads and NPT threads can be customized.



G 选配表 Selection table

型号 Model	内螺纹 "H" Internal thread "H"			尺寸 Size(mm)				
	公制 Metric	NPT	G	A	B	C	D	L
 CN950-I□□(F)/□□(F)	M20	1/2"	1/2"	30	27	25	—	34
	M25	3/4"	3/4"	36	32	31	—	34
	M32	1"	1"	42	38	37	—	40
	M40	1 1/4"	1 1/4"	52	47	46	—	40
	M50	1 1/2"	1 1/2"	60	55	54	—	40
	M63	2"	2"	72	68	65	—	42
	M75	2 1/2"	2 1/2"	88	83	82	—	42
	M90	3"	3"	100	95	94	—	42
	M115	4"	4"	127	122	121	—	42
	 CN950-I□□(M)/□□(F)	M20	1/2"	1/2"	30	27	25	13
M25		3/4"	3/4"	36	32	31	18	36
M32		1"	1"	42	38	37	25	42
M40		1 1/4"	1 1/4"	52	47	46	32	42
M50		1 1/2"	1 1/2"	60	55	54	38	42
M63		2"	2"	72	68	65	50	44
M75		2 1/2"	2 1/2"	88	83	82	65	44
M90		3"	3"	100	95	94	75	44
M115		4"	4"	127	122	121	100	44
 CN950-I□□(M)/□□(M)		M20	1/2"	1/2"	30	27	—	13
	M25	3/4"	3/4"	36	32	—	18	36
	M32	1"	1"	42	38	—	24	42
	M40	1 1/4"	1 1/4"	52	47	—	32	42
	M50	1 1/2"	1 1/2"	60	55	—	38	42
	M63	2"	2"	72	68	—	50	42
	M75	2 1/2"	2 1/2"	88	83	—	65	42
	M90	3"	3"	100	95	—	75	44
	M115	4"	4"	127	122	—	100	44

注: 1. 常规供货为碳素钢材质, 如需要不锈钢、黄铜镀镍材质, 订货时请注明。以上重量是碳素钢材质。

2. 公制螺纹产品标准螺距为1.5mm, 其它螺距可以定制, 订货时请注明。

Note: 1. The regular supply is made of carbon steel. If stainless steel or brass nickel-plated materials are required, please specify when ordering.

The above weight is made of carbon steel.

2. The standard pitch of metric thread products is 1.5mm, other pitches can be customized, please specify when ordering.

G 选配表 Selection table

型号 Model	内螺纹 "H" Internal thread "H"			标准入口螺纹 "H2" Standard inlet thread "H2"			尺寸 Size(mm)
	公制 Metric	NPT	G	Metric	NPT	G	
 CN950-II□□(F)/□□(F)	M20	1/2"	1/2"	M25	3/4"	3/4"	34
	M25	3/4"	3/4"	M32	1"	1"	34
	M32	1"	1"	M40	1 1/4"	1 1/4"	40
	M40	1 1/4"	1 1/4"	M50	1 1/2"	1 1/2"	40
	M50	1 1/2"	1 1/2"	M63	2"	2"	40
	M63	2"	2"	M75	2 1/2"	2 1/2"	42
	M75	2 1/2"	2 1/2"	M90	3"	3"	42
	M90	3"	3"	M115	4"	4"	42
	M20	1/2"	1/2"	M25	3/4"	3/4"	24
	M25	3/4"	3/4"	M32	1"	1"	24
 CN950-II□□(M)/□□(F)	M32	1"	1"	M40	1 1/4"	1 1/4"	34
	M40	1 1/4"	1 1/4"	M50	1 1/2"	1 1/2"	30
	M50	1 1/2"	1 1/2"	M63	2"	2"	33
	M63	2"	2"	M75	2 1/2"	2 1/2"	33
	M75	2 1/2"	2 1/2"	M90	3"	3"	33
	M90	3"	3"	M115	4"	4"	33
	M20	1/2"	1/2"	M25	3/4"	3/4"	36
	M25	3/4"	3/4"	M32	1"	1"	36
	M32	1"	1"	M40	1 1/4"	1 1/4"	42
	M40	1 1/4"	1 1/4"	M50	1 1/2"	1 1/2"	42
 CN950-II□□(M)/□□(M)	M50	1 1/2"	1 1/2"	M63	2"	2"	42
	M63	2"	2"	M75	2 1/2"	2 1/2"	44
	M75	2 1/2"	2 1/2"	M90	3"	3"	44
	M90	3"	3"	M115	4"	4"	44

注: 1. 常规供货为碳素钢材质, 如需要不锈钢、黄铜镀镍材质, 订货时请注明。以上重量是碳素钢材质。

2. 公制螺纹产品标准螺距为1.5mm, 其它螺距可以定制, 订货时请注明。

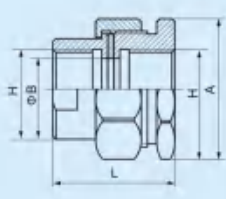
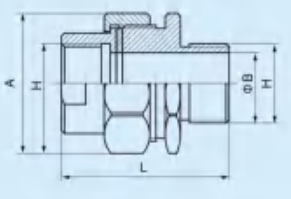
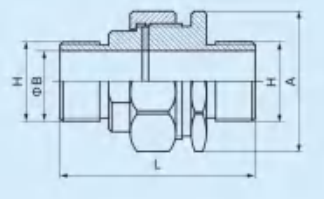
Note: 1. The regular supply is made of carbon steel. If stainless steel or brass nickel-plated materials are required, please specify when ordering.

The above weight is made of carbon steel.

2. The standard pitch of metric thread products is 1.5mm, other pitches can be customized, please specify when ordering.



G 选配表 Selection table

型号 Model	螺纹 "H" Thread "H"			尺寸 Size(mm)		
	公制 Metric	NPT	G	A	B	L
 CN950- III□□(F)/□□(F)	M20	1/2"	1/2"	38	15	40
	M25	3/4"	3/4"	42	20	40
	M32	1"	1"	47	25	46
	M40	1 1/4"	1 1/4"	65	32	46
	M50	1 1/2"	1 1/2"	73	38	46
	M63	2"	2"	85	50	52
	M75	2 1/2"	2 1/2"	108	65	52
	M90	3"	3"	115	76	57
	M115	4"	4"	145	100	57
 CN950- III□□(M)/□□(F)	M20	1/2"	1/2"	38	15	55
	M25	3/4"	3/4"	42	20	55
	M32	1"	1"	47	25	64
	M40	1 1/4"	1 1/4"	65	32	64
	M50	1 1/2"	1 1/2"	73	38	64
	M63	2"	2"	85	50	73
	M75	2 1/2"	2 1/2"	110	102	73
	M90	3"	3"	115	110	81
	M115	4"	4"	145	140	81
 CN950- III□□(M)/□□(M)	M20	1/2"	1/2"	38	15	64
	M25	3/4"	3/4"	42	20	64
	M32	1"	1"	47	25	74
	M40	1 1/4"	1 1/4"	65	32	74
	M50	1 1/2"	1 1/2"	73	38	74
	M63	2"	2"	85	50	84
	M75	2 1/2"	2 1/2"	110	102	84
	M90	3"	3"	115	110	94
	M115	4"	4"	145	140	94

注: 1. 常规供货为碳素钢材质, 如需要不锈钢、黄铜镀镍材质, 订货时请注明。以上重量是碳素钢材质。

2. 公制螺纹产品标准螺距为1.5mm, 其它螺距可以定制, 订货时请注明。

Note: 1. The regular supply is made of carbon steel. If stainless steel or brass nickel-plated materials are required, please specify when ordering.
The above weight is made of carbon steel.

2. The standard pitch of metric thread products is 1.5mm, other pitches can be customized, please specify when ordering.

CN960
系列防爆挠性连接管

CN960
Series Explosion-proof flexible
connecting pipe

IIC/Ex tb



G 产品概述 Product overview

- ◆ 防爆性能符合
 - CENELEC标准
 - IEC标准
 - NEC标准
- ◆ 适用于
 - 1区和2区 21区和22区 II类, 1区和2区
 - II类, 1区, 气体组别 A, B, C, D
- ◆ 产品描述: I型 PVC橡胶, 两端接头为碳钢材质。
II型 钢丝编织, 两端接头为碳钢材质。
III型 不锈钢网, 两端接头为不锈钢材质。
- ◆ 适用于
 - 广泛应用于防爆箱或防爆灯具与管道之间。
 - 保护电缆不受损坏。
 - 抗强腐蚀性能。
- ◆ Explosion-proof performance conforms to
 - CENELEC standard
 - IEC standard
 - NEC standard
- ◆ Suitable for
 - Zone 1 and zone 2 zone 21 and zone 22 class II, zone 1 and zone 2 class II, zone 1, gas group A, B, C, D
- ◆ Product description:
 - Type I PVC Rubber and plastic, both end joints are made of carbon steel.
 - Type II Braided steel wire with carbon steel end joints.
 - Type III Stainless steel mesh, both ends of the joints are made of stainless steel.
- ◆ Suitable for
 - Widely used between explosion-proof boxes or explosion-proof lamps and pipes.
 - Protect the cable from damage.
 - Strong corrosion resistance.

1区& 2区; 21区& 22区

zone1, zone2, zone21, zone22



G 型号含义 Model meaning

CN960 - □□ x □□ (□) / □□ (□)
□ □ □ □ □ □ □ □ □ □

- 防爆挠性连接管 Explosion-proof flexible connecting pipe
- 产品材质 Produkt material
- 长度 Length
- 螺纹规格 Thread specification
M: 公制螺纹 Metric thread
NPT: NPT 螺纹 NPT thread
G: 管螺纹 Pipe thread
- 尺寸 Size
- M: 外螺纹 External thread
F: 内螺纹 Internal thread
- 螺纹规格 Thread specification
M: 公制螺纹 Metric thread
NPT: NPT 螺纹 NPT thread
G: 管螺纹 Pipe thread
- 尺寸 Size
- M: 外螺纹 External thread
F: 内螺纹 Internal thread

G 技术参数 Technical parameter

防爆挠性连接管 Explosion-proof flexible connecting pipe	CN960-□□x□□(□)/□□(□)
防爆型式 Explosion proof type 气体防爆型式 Gas explosion proof type 粉尘防爆型式 Dust explosion proof type	II2G Ex db eb IIC Gb II2D Ex tb IIIC Db
执行标准 Executive standard	GB/T 3836.1, GB/T 3836.2, GB/T 3836.3, GB/T 3836.31, JB 9600; EN 60079-0, EN 60079-1, EN 61241-0, EN 61241-1, IEC 60079-0, IEC 60079-1, IEC 61241-0, IEC 61241-1
产品材质 Product material	I型 PVC橡塑, 两端接头为碳钢材质。 Type I PVC Rubber and plastic, both end joints are made of carbon steel. II型 钢丝编织, 两端接头为碳钢材质。 Type II Braided steel wire with carbon steel end joints. III型 不锈钢网, 两端接头为不锈钢材质。 Type III Stainless steel mesh, both ends of the joints are made of stainless steel.
防护等级 Protection level	IP65、IP66
周围环境温度 Ambient temperature	-60°C ~ +55°C
连接螺纹 Connection thread	常规供货为管螺纹(G), 如有特殊要求, 例如公制螺纹(M)、NPT螺纹, 订货时请注明。 Regular supply is pipe thread (G), if you have special requirements, such as metric thread (M), NPT thread, please specify when ordering.

注: 1. M75、M90、M115公制螺纹及对应的G螺纹和NPT螺纹和其它长度可定制。

2. 公制螺纹产品标准螺距为1.5mm, 其它螺距可以定制, 订货时请注明。

Note: 1. M75, M90, M115 Metric threads and corresponding G threads and NPT threads and other lengths can be customized.


2. The standard pitch of metric thread products is 1.5mm, other pitches can be customized, please specify when ordering.

G 选配表 Selection table

型号 Model	管内径 (mm) Tube inner diameter	管接头螺纹 "H" Pipe joint thread "H"			长度L (mm) Length L	最小弯曲半径 (mm) Minimum bending radius
		公制Metric	NPT	G		
 CN960-□x□□(M)/□□(F)	15	M20	1/2"	1/2"	700	80
	15	M20	1/2"	1/2"	1000	80
	20	M25	3/4"	3/4"	700	110
	20	M25	3/4"	3/4"	1000	110
	25	M32	1"	1"	700	145
	25	M32	1"	1"	1000	145
	32	M40	1 1/4"	1 1/4"	700	180
	32	M40	1 1/4"	1 1/4"	1000	180
	40	M50	1 1/2"	1 1/2"	700	210
	40	M50	1 1/2"	1 1/2"	1000	210
 CN960-□x□□(M)/□□(M)	15	M20	1/2"	1/2"	700	80
	15	M20	1/2"	1/2"	1000	80
	20	M25	3/4"	3/4"	700	110
	20	M25	3/4"	3/4"	1000	110
	25	M32	1"	1"	700	145
	25	M32	1"	1"	1000	145
	32	M40	1 1/4"	1 1/4"	700	180
	32	M40	1 1/4"	1 1/4"	1000	180
	40	M50	1 1/2"	1 1/2"	700	210
	40	M50	1 1/2"	1 1/2"	1000	210
50	M63	2"	2"	700	250	
50	M63	2"	2"	1000	250	



G 选配表 Selection table

型号 Model	管内径 (mm) Tube inner diameter	管接头螺纹 "H" Pipe joint thread "H"			长度L (mm) Length L	最小弯曲半径 (mm) Minimum bending radius
		公制Metric	NPT	G		
 CN960-□x□□(F)/□□(F)	15	M20	1/2"	1/2"	700	80
	15	M20	1/2"	1/2"	1000	80
	20	M25	3/4"	3/4"	700	110
	20	M25	3/4"	3/4"	1000	110
	25	M32	1"	1"	700	145
	25	M32	1"	1"	1000	145
	32	M40	1 1/4"	1 1/4"	700	180
	32	M40	1 1/4"	1 1/4"	1000	180
	40	M50	1 1/2"	1 1/2"	700	210
	40	M50	1 1/2"	1 1/2"	1000	210
	50	M63	2"	2"	700	250
	50	M63	2"	2"	1000	250

电缆引入装置系列
Cable entry device series

IIB/IIC/Ex tb



G 产品概述 Product overview

- ◆ 防爆性能符合-CENELEC标准 -IEC标准 -NEC标准
- ◆ 适用于1区和2区 21区和22区 II类, 1区和2区 II类, 1区, 气体组别 A, B, C, D II类, 2区, 气体组别 A, B, C, D
- ◆ Ex db和Ex eb防爆结构
- ◆ 电缆引入装置产品如下: -适用于铠装或非铠装形式 -适用于电缆布线或钢管布线防爆
电缆引入装置包括:
 - 1) CN970-I (Ex eb) -工程塑料, 非铠装-金属材料, 非铠装或铠装
 - 2) CN970-II (Ex db Ex eb) -金属材料, 非铠装, 单密封-金属材料, 铠装, 双密封-金属材料, 铠装, 双密封 "冷流"
 - 3) CN970-III (Ex db Ex eb) -金属材料, 非铠装, 填料密封-金属材料, 铠装, 填料密封
- ◆ Explosion-proof performance conforms to
-CENELEC standard -IEC standard -NEC standard
- ◆ Suitable for zone 1 and zone 2 zone 21 and 22 class II, zone 1 and zone 2 class II, zone 1, gas group A, B, C, D class II, zone 2, gas group A, B, C, D
- ◆ Ex db and Ex eb explosion-proof structure
- ◆ The cable entry device products are as follows:
-Suitable for armored or unarmored forms
-Suitable for cable wiring or steel pipe wiring
The explosion-proof cable entry device includes:
 - 1) CN970-I (Ex eb)
-Engineering plastics, non-armoured
-Metal material, non-armoured or armored
 - 2) CN970-II (Ex db Ex eb)
-Metal material, non-armoured, single-sealed
-Metal material, armored, double seal
-Metal material, armored, double-sealed "cold flow"
 - 3) CN970-III (Ex db Ex eb)
-Metal material, non-armoured, packing seal
-Metal material, armor, packing seal

1区& 2区; 21区& 22区
zone1, zone2, zone21, zone22



CN970-I
系列防爆电缆引入装置
(Ex eb)工程塑料非铠装

CN970-I
Series Explosion-proof cable
entry device(Ex eb)Engineering
plastic non-armoured



产品概述 Product overview

- ◆ 防爆性能符合
 - CENELEC标准
 - IEC标准
 - NEC标准
- ◆ 适用于
 - 1区和2区
 - II类, 1区和2区
 - II类, 2区, 气体组别 A, B, C, D
- ◆ 增安型防爆结构, 工程塑料材质, 颜色为黑色。
- ◆ 单密封结构, 适用于非铠装电缆。
- ◆ Explosion-proof performance conforms to
 - CENELEC standard
 - IEC standard
 - NEC standard
- ◆ Suitable for
 - Zone 1 and Zone 2
 - Class II, Zone 1 and Zone 2
 - Class II, Zone 2, gas group A, B, C, D
- ◆ Increased safety explosion-proof structure, engineering plastic material, color is black.
- ◆ Single-sealed structure, suitable for non-armoured cables.

1区& 2区; 21区& 22区

zone1, zone2, zone21, zone22

技术参数 Technical parameter

防爆电缆引入装置 Explosion-proof cable entry device	CN970-I (工程塑料非铠装) CN970-I (Engineering plastic non-armoured)
防爆型式 Explosion proof type	II2G Ex eb IIC Gb Ex tb IIIC Db
执行标准 Executive standard	GB/T 3836.1, GB/T 3836.3, GB/T 3836.31 EN 60079-0, EN 60079-7; IEC 60079-0, IEC 60079-7
产品材质 Product material	工程塑料, 黑色 Engineering plastic, black
防护等级 Protection level	IP65、IP66
周围环境温度 Ambient temperature	-20°C~+55°C
连接螺纹 Connection thread	样本上列举为管螺纹(G), 公制螺纹(M)规格, 订货时请注明, 此产品无NPT螺纹。 The specifications listed on the catalog are pipe thread (G) and metric thread (M). Please specify when ordering, this product has no NPT thread.

选配表 Selection table

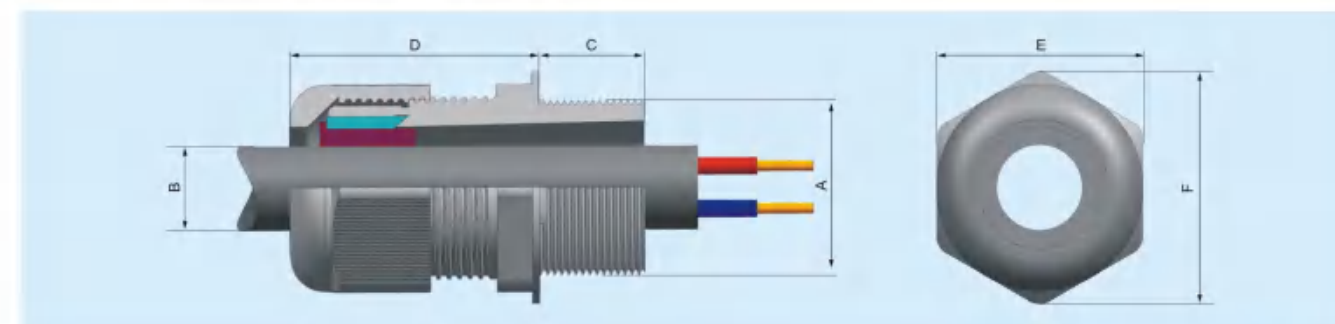
尺寸 Size (mm)	入口螺纹 "A" Inlet thread "A"	电缆外径B (mm) Cable outer diameter B		螺纹最小长度C (mm) Minimum thread length C	外露长度D (mm) Exposed length D	对边尺寸E (mm) Opposite side size E	对角尺寸F (mm) Diagonal size F
		Min	Max				
16	M16 x 1.5	5	8	15	27	19	21
20	M20 x 1.5	6	10	15	29	24	26
25	M25 x 1.5	9	12	15	33	30	33
		12	16				
3/4	G 3/4"	9	12	15	33	30	33
		12	16				
32	M32 x 1.5	10	18	15	35	41	45
40	M40 x 1.5	17	25	14	46	50	55
50	M50 x 1.5	23	32	14	51	57	63
63	M63 x 1.5	32	44	15	51	70	78

注: 1. 常规供货只带锁紧螺母 (黄铜镀镍), 密封垫, 不带堵轴。

2. 如需堵轴, 订货时请注明。

Note: 1. The conventional supply only comes with a lock nut (nickel-plated brass), a gasket, and no shaft plugging.

2. If the shaft is blocked, please specify when ordering.





CN970-I
系列防爆电缆引入装置
(Ex eb IIC) 金属非铠装
CN970-I
Series Explosion-proof cable
entry device(Ex eb IIC) Metal
non-armoured

IIC/Ex tb



C 产品概述 Product overview

- ◆ 防爆性能符合
 - CENELEC标准
 - IEC标准
 - NEC标准
- ◆ 适用于
 - 1区和2区
 - 21区和22区
 - II类, 1区和2区
 - II类, 2区, 气体组别 A, B, C, D
- ◆ 增安型防爆结构, 不锈钢、黄铜镀镍、碳素钢表面镀锌处理三种材质。
- ◆ 单密封结构, 适用于非铠装电缆。
- ◆ Explosion-proof performance conforms to
 - CENELEC standard
 - IEC standard
 - NEC standard
- ◆ Suitable for
 - Zone 1 and Zone 2
 - Zone 21 and 22
 - Class II, Zone 1 and Zone 2
 - Class II, Zone 2, gas group A, B, C, D
- ◆ Increased safety explosion-proof structure, with three materials: stainless steel, brass nickel-plated, and carbon steel surface galvanized.
- ◆ Single-sealed structure, suitable for non-armoured cables.

1区& 2区; 21区& 22区

zone1, zone2, zone21, zone22

C 技术参数 Technical parameter

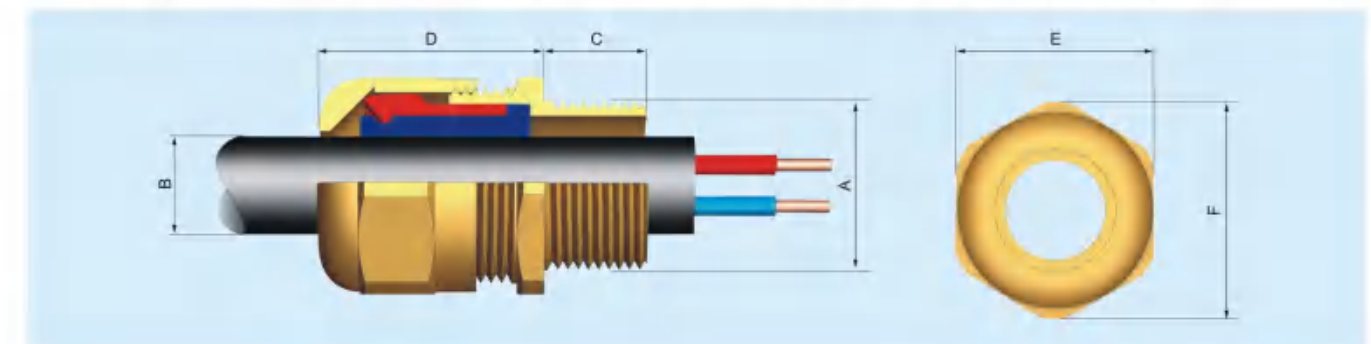
防爆电缆引入装置 Explosion-proof cable entry device	CN970-I (金属非铠装) CN970-I (Metal non-armoured)
防爆型式 Explosion proof type	Ex eb IIC Gb
气体防爆型式 Gas explosion proof type	Ex eb IIC Gb
粉尘防爆型式 Dust explosion proof type	Ex eb IIC Gb
执行标准 Executive standard	GB/T 3836.1, GB/T 3836.3, GB/T 3836.31 EN 60079-0, EN 60079-7, EN 60079-31, IEC 60079-0, IEC 60079-7, IEC 60079-31
产品材质 Product material	不锈钢、黄铜镀镍、碳素钢表面镀锌处理等三种 Stainless steel, nickel-plated brass, and zinc-plated carbon steel surface
防护等级 Protection level	IP65、IP66
周围环境温度 Ambient temperature	-60°C ~ +100°C
连接螺纹 Connection thread	常规供货为管螺纹(G), 如有特殊要求, 例如公制螺纹(M)、NPT螺纹, 订货时请注明。 Regular supply is pipe thread (G), if you have special requirements, such as metric thread (M), NPT thread, please specify when ordering.

C 选配表 Selection table

尺寸 Size (mm)	入口螺纹 "A" Inlet thread "A"			电缆外径B (mm) Cable outer diameter B		螺纹最小长度C (mm) Minimum thread length C	外露长度D (mm) Exposed length D	对边尺寸E (mm) Opposite side size E	对角尺寸F (mm) Diagonal size F
	公制Metric	NPT	G	Min	Max				
20	M20	1/2"	1/2"	5	10	15	33	27	30
25	M25	3/4"	3/4"	9	14	15	33	32	35
32	M32	1"	1"	13	18	19	37	38	41
40	M40	1 1/4"	1 1/4"	17	24	19	40	47	50
50	M50	1 1/2"	1 1/2"	22	32	19	40	55	60
63	M63	2"	2"	31	44	19	53	68	72
75	M75	2 1/2"	2 1/2"	43	56	19	53	80	85

- 注: 1. 常规供货为碳素钢材质, 如需要不锈钢、黄铜镀镍材质, 订货时请注明。以上重量是碳素钢材质。
2. 常规供货只带锁紧螺母和密封垫。
3. 如需接地片和护套, 订货时请注明。
4. 公制螺纹产品标准螺距为1.5mm, 其它螺距可以定制, 订货时请注明。

- Note: 1. The regular supply is made of carbon steel. If stainless steel or brass nickel-plated materials are required, please specify when ordering. The above weight is made of carbon steel.
2. The regular supply only comes with a lock nut and gasket.
3. If you need a grounding sheet and sheath, please specify when ordering.
4. The standard pitch of metric thread products is 1.5mm, other pitches can be customized, please specify when ordering.





CN970-II
系列防爆电缆引入装置
(Ex eb IIC) 金属铠装
CN970-II
Series Explosion-proof cable
entry device(Ex eb IIC) Metal
armor

IIC/Ex tb



产品概述 Product overview

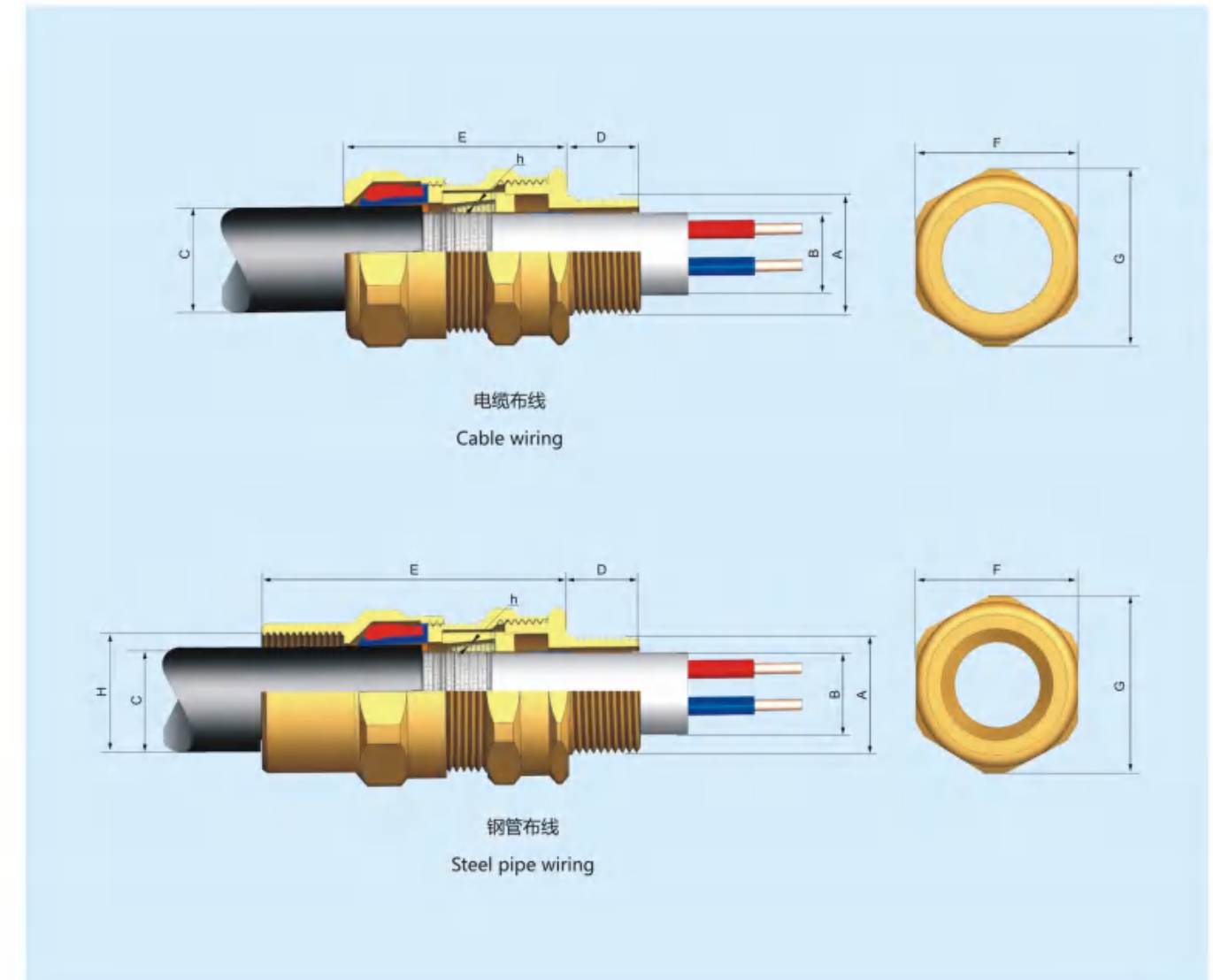
- ◆ 防爆性能符合
 - CENELEC标准
 - IEC标准
 - NEC标准
- ◆ 适用于
 - 1区和2区
 - 21区和22区
 - II类, 1区和2区
 - II类, 2区, 气体组别 A, B, C, D
- ◆ 增安型防爆结构, 不锈钢、黄铜镀镍、碳素钢表面镀锌处理三种材质。
- ◆ 单密封结构, 适用于铠装和非铠装电缆。
- ◆ Explosion-proof performance conforms to
 - CENELEC standard
 - IEC standard
 - NEC standard
- ◆ Suitable for
 - Zone 1 and Zone 2
 - Zone 21 and 22
 - Class II, Zone 1 and Zone 2
 - Class II, Zone 2, gas group A, B, C, D
- ◆ Increased safety explosion-proof structure, with three materials: stainless steel, brass nickel-plated, and carbon steel surface galvanized.
- ◆ Single-sealed structure, suitable for armored and non-armored cables.

1区& 2区; 21区& 22区

zone1, zone2, zone21, zone22

技术参数 Technical parameter

防爆电缆引入装置 Explosion-proof cable entry device	CN970-II (金属铠装) CN970-II (Metal armor)
防爆型式 Explosion proof type	Ex eb IIC Gb
气体防爆型式 Gas explosion proof type	Ex eb IIC Gb
粉尘防爆型式 Dust explosion proof type	Ex tb IIIC Db
执行标准 Executive standard	GB/T 3836.1, GB/T 3836.3, GB/T 3836.31 EN 60079-0, EN 60079-7, EN 60079-31, IEC 60079-0, IEC 60079-7, IEC 60079-31
产品材质 Product material	不锈钢、黄铜镀镍、碳素钢表面镀锌处理等三种 Stainless steel, nickel-plated brass, and zinc-plated carbon steel surface
防护等级 Protection level	IP65、IP66
周围环境温度 Ambient temperature	-60°C ~ +100°C
连接螺纹 Connection thread	常规供货为管螺纹(G), 如有特殊要求, 例如公制螺纹(M)、NPT螺纹, 订货时请注明。 Regular supply is pipe thread (G), if you have special requirements, such as metric thread (M), NPT thread, please specify when ordering.





G 电缆布线选型表 Cable routing selection table

尺寸 Size	入口螺纹 "A" Inlet thread "A"			电缆外径 B (mm) Cable outer diameter B		电缆外径 C (mm) Cable outer diameter C		螺纹最 小长度 D (mm) Minimum thread length D	外露长度 E (mm) Exposed length E	对边尺寸 F (mm) Opposite size F	对角尺寸 G (mm) Diagonal size G	铠装层 厚度范围 h (mm) Armor layer thickness range h
	公制 Metric	NPT	G	Max	Min	Max						
20A	M20	1/2"	1/2"	10.5	5.5	12.0	15	51	28	31	0.3~1.0	
20B	M20	1/2"	1/2"	10.5	9.5	16.0	15	51	28	31	0.3~1.0	
20C	M20	1/2"	1/2"	14.5	12.5	20.5	15	53	34	37	0.3~1.0	
25A	M25	3/4"	3/4"	10.5	9.5	16.0	15	51	34	37	0.3~1.0	
25B	M25	3/4"	3/4"	14.5	12.5	20.5	15	53	34	37	0.3~1.0	
25C	M25	3/4"	3/4"	19.5	17.0	26.0	15	58	41	45	0.4~1.2	
32A	M32	1"	1"	14.5	12.5	20.5	19	53	41	45	0.4~1.2	
32B	M32	1"	1"	19.5	17.0	26.0	19	58	41	45	0.4~1.2	
32C	M32	1"	1"	25.5	22.0	33.0	19	62	49	54	0.4~1.4	
40A	M40	1 1/4"	1 1/4"	19.5	17.0	26.0	19	58	49	54	0.4~1.4	
40B	M40	1 1/4"	1 1/4"	25.5	22.0	33.0	19	62	49	54	0.6~1.9	
40C	M40	1 1/4"	1 1/4"	31.0	28.0	41.0	19	69	60	65	0.6~2.2	
50A	M50	1 1/2"	1 1/2"	25.5	22.0	33.0	19	62	60	65	0.6~2.2	
50B	M50	1 1/2"	1 1/2"	31.0	28.0	41.0	19	69	60	65	0.8~2.3	
50C	M50	1 1/2"	1 1/2"	37.0	36.0	52.5	19	77	72	77	0.8~2.3	
63A	M63	2"	2"	31.0	28.0	41.0	19	69	72	77	0.8~2.3	
63B	M63	2"	2"	37.0	36.0	52.5	19	77	72	77	0.9~2.4	
63C	M63	2"	2"	49.0	46.0	65.0	19	95	86	93	0.9~2.4	
75A	M75	2 1/2"	2 1/2"	37.0	36.0	52.5	19	77	84	90	0.9~2.4	
75B	M75	2 1/2"	2 1/2"	55.0	46.0	65.0	19	95	86	93	0.9~2.4	
75C	M75	2 1/2"	2 1/2"	64.0	57.0	78.0	19	100	102	110	0.9~2.4	
90	M90	3"	3"	75.0	68.0	88.0	19	100	112	121	0.9~2.4	
115	M115	4"	4"	90.0	83.0	103.0	19	106	127	137	0.9~2.8	

G 钢管布线选型表 Steel pipe wiring selection table

尺寸 Size	入口螺纹 "A" Inlet thread "A"			标准入口螺纹 "H" Standard inlet thread "H"			电缆外径 B (mm) Cable outer diameter B		电缆外径 C (mm) Cable outer diameter C		螺纹最 小长度 D (mm) Minimum thread length D	外露长度 E (mm) Exposed length E	对边尺寸 F (mm) Opposite size F	对角尺寸 G (mm) Diagonal size G	铠装层 厚度范围 h (mm) Armor layer thickness range h
	公制 Metric	NPT	G	Metric	NPT	G	Max	Min	Max						
20A	M20	1/2"	1/2"	M20	1/2"	1/2"	10.5	5.5	12.0	15	66	28	31	0.3~1.0	
20B	M20	1/2"	1/2"	M20	1/2"	1/2"	10.5	9.5	16.0	15	66	28	31	0.3~1.0	
20C	M20	1/2"	1/2"	M25	3/4"	3/4"	14.5	12.5	20.5	15	66	34	37	0.3~1.0	
25A	M25	3/4"	3/4"	M20	1/2"	1/2"	10.5	9.5	16.0	15	66	34	37	0.3~1.0	
25B	M25	3/4"	3/4"	M25	3/4"	3/4"	14.5	12.5	20.5	15	68	34	37	0.3~1.0	
25C	M25	3/4"	3/4"	M32	1"	1"	19.5	17.0	26.0	15	73	41	45	0.4~1.2	
32A	M32	1"	1"	M25	3/4"	3/4"	14.5	12.5	20.5	19	68	41	45	0.4~1.2	
32B	M32	1"	1"	M32	1"	1"	19.5	17.0	26.0	19	77	41	45	0.4~1.2	
32C	M32	1"	1"	M40	1 1/4"	1 1/4"	25.5	22.0	33.0	19	77	49	54	0.4~1.4	
40A	M40	1 1/4"	1 1/4"	M32	1"	1"	19.5	17.0	26.0	19	77	49	54	0.4~1.4	
40B	M40	1 1/4"	1 1/4"	M40	1 1/4"	1 1/4"	25.5	22.0	33.0	19	81	49	54	0.6~1.9	
40C	M40	1 1/4"	1 1/4"	M50	1 1/2"	1 1/2"	31.0	28.0	41.0	19	89	60	65	0.6~2.2	
50A	M50	1 1/2"	1 1/2"	M40	1 1/4"	1 1/4"	25.5	22.0	33.0	19	81	60	65	0.6~2.2	
50B	M50	1 1/2"	1 1/2"	M50	1 1/2"	1 1/2"	31.0	28.0	41.0	19	88	60	65	0.8~2.3	
50C	M50	1 1/2"	1 1/2"	M63	2"	2"	37.0	36.0	52.5	19	97	72	77	0.8~2.3	
63A	M63	2"	2"	M50	1 1/2"	1 1/2"	31.0	28.0	41.0	19	86	72	77	0.8~2.3	
63B	M63	2"	2"	M63	2"	2"	37.0	36.0	52.5	19	97	72	77	0.9~2.4	
63C	M63	2"	2"	M75	2 1/2"	2 1/2"	49.0	46.0	65.0	19	112	86	93	0.9~2.4	
75A	M75	2 1/2"	2 1/2"	M63	2"	2"	37.0	36.0	52.5	19	96	84	90	0.9~2.4	
75B	M75	2 1/2"	2 1/2"	M75	2 1/2"	2 1/2"	55.0	46.0	65.0	19	112	86	93	0.9~2.4	
75C	M75	2 1/2"	2 1/2"	M90	3"	3"	64.0	57.0	78.0	19	119	102	110	0.9~2.4	
90	M90	3"	3"	M115	4"	4"	75.0	68.0	88.0	19	119	112	121	0.9~2.4	
115	M115	4"	4"	M125	4 1/2"	4 1/2"	90.0	83.0	103.0	19	125	127	137	0.9~2.8	

- 注: 1. 常规供货为黄铜镀镍材质, 如需要不锈钢、碳素钢材质, 订货时请注明。以上重量是黄铜镀镍材质。
2. 如需接地片和护套, 订货时请注明。
3. 公制螺纹产品标准螺距为1.5mm, 其它螺距可以定制, 订货时请注明。

Note: 1. The regular supply is brass nickel-plated material. If you need stainless steel or carbon steel material, please specify when ordering. The above weight is made of nickel-plated brass.
2. If the grounding lug and sheath are needed, please specify when ordering.
3. The standard pitch of metric thread products is 1.5mm, other pitches can be customized, please specify when ordering.



CN970-III
系列电缆引入装置
(Ex db IIC Ex eb IIC)
非铠装单密封

CN970-III
Series cable entry device(Ex db
IIC Ex eb IIC)Non-armoured
single seal

IIC/Ex tb



电缆布线
Cable wiring

钢管布线
Steel pipe wiring

C 产品概述 Product overview

- ◆ 防爆性能符合
 - CENELEC标准
 - IEC标准
 - NEC标准
- ◆ 适用于
 - 1区和2区
 - 21区和22区
 - II类, 1区和2区
 - II类, 1区, 气体组别 A, B, C, D
- ◆ 隔爆型、增安型防爆结构, 不锈钢、黄铜镀镍、碳素钢表面镀锌处理三种材质。
- ◆ 单密封结构, 适用于非铠装电缆。
- ◆ Explosion-proof performance conforms to
 - CENELEC standard
 - IEC standard
 - NEC standard
- ◆ Suitable for
 - Zone 1 and Zone 2
 - Zone 21 and 22
 - Class II, Zone 1 and Zone 2
 - Class II, Zone 1, gas group A, B, C, D
- ◆ Flameproof,increased-safety explosion-proof structure, stainless steel, brass nickel plated, carbon steel surface galvanized treatment of three materials.
- ◆ Single-sealed structure, suitable for non-armoured cables.

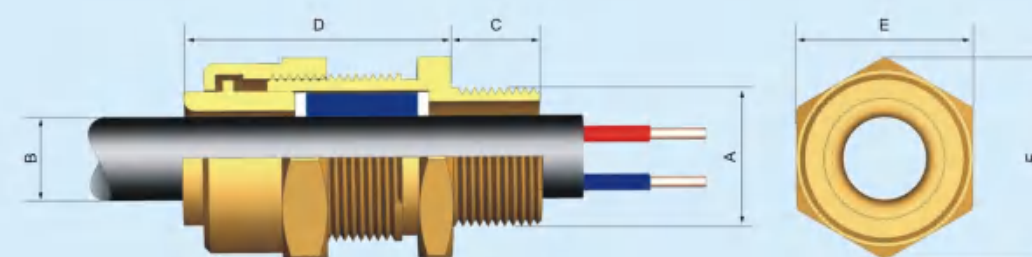
1区& 2区; 21区& 22区

zone1, zone2, zone21, zone22

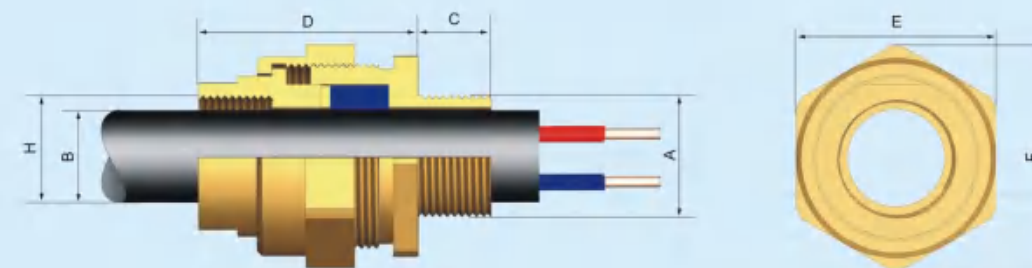
CN970-III 系列电缆引入装置(Ex db IIC Ex eb IIC) 非铠装单密封
CN970-III Series cable entry device(Ex db IIC Ex eb IIC)Non-armoured single seal

C 技术参数 Technical parameter

电缆引入装置 Cable entry device	CN970-III (非铠装单密封) CN970-III (Non-armoured single seal)
防爆型式 Explosion proof type	Ex db IIC Gb Ex eb IIC Gb
气体防爆型式 Gas explosion proof type	Ex db IIC Gb Ex eb IIC Gb
粉尘防爆型式 Dust explosion proof type	Ex tb IIC Db
执行标准 Executive standard	GB/T 3836.1,GB/T 3836.2,GB/T 3836.3,GB/T 3836.31; EN 60079-0,EN 60079-1, EN 60079-7,EN 60079-31IEC 60079-0,IEC 60079-1,IEC 60079-7,IEC 60079-31
材质 Material	不锈钢、黄铜镀镍、碳素钢表面镀锌处理等三种 Stainless steel, nickel-plated brass, and zinc-plated carbon steel surface
防护等级 Protection level	IP65、IP66
周围环境温度 Ambient temperature	-60°C~+100°C
连接螺纹 Connection thread	常规供货为管螺纹(G), 如有特殊要求, 例如公制螺纹(M)、NPT螺纹, 订货时请注明。 Regular supply is pipe thread (G), if you have special requirements, such as metric thread (M), NPT thread, please specify when ordering.



电缆布线
Cable wiring



钢管布线
Steel pipe wiring



G 电缆布线选型表 Cable routing selection table

尺寸 Size	入口螺纹 "A" Inlet thread "A"			电缆外径B (mm) Cable outer diameter B		螺纹最小 长度C (mm) Minimum thread length C	外露长度 D (mm) Exposed length D	对边尺寸 E (mm) Opposite size E	对角尺寸 F (mm) Diagonal size F
	公制 Metric	NPT	G	Min	Max				
20	M20	1/2"	1/2"	6.5	10	16	37	30	34
25	M25	3/4"	3/4"	10	14	16	40	36	41
32	M32	1"	1"	11	18	16	40	41	46
40	M40	1 1/4"	1 1/4"	14	23	16	45	50	55
50	M50	1 1/2"	1 1/2"	20	27	16	50	60	65
63	M63	2"	2"	25	34	16	57	70	75
75	M75	2 1/2"	2 1/2"	38	57	19	65	102	110
90	M90	3"	3"	55	67	19	85	110	115
115	M115	4"	4"	48	80	19	105	140	145

G 钢管布线选型表 Steel pipe wiring selection table

尺寸 Size	入口螺纹 "A" Inlet thread "A"			入口螺纹 "H" Inlet thread "H"			电缆外径B (mm) Cable outer diameter B		螺纹最小 长度C (mm) Minimum thread length C	外露长度 D (mm) Exposed length D	对边尺寸 E (mm) Opposite size E	对角尺寸 F (mm) Diagonal size F
	公制 Metric	NPT	G	公制 Metric	NPT	G	Min	Max				
20	M20	1/2"	1/2"	M20	1/2"	1/2"	10	14	15	51	31	33
25	M25	3/4"	3/4"	M25	3/4"	3/4"	12	17	15	51	39	42
32	M32	1"	1"	M32	1"	1"	15	22	19	65	45	48
40	M40	1 1/4"	1 1/4"	M40	1 1/4"	1 1/4"	20	30	19	68	60	65
50	M50	1 1/2"	1 1/2"	M50	1 1/2"	1 1/2"	26	37	19	68	70	75
63	M63	2"	2"	M63	2"	2"	30	47	19	73	82	87
75	M75	2 1/2"	2 1/2"	M75	2 1/2"	2 1/2"	38	57	19	73	102	110
90	M90	3"	3"	M90	3"	3"	55	67	19	73	110	115
115	M115	4"	4"	M115	4"	4"	48	80	19	78	140	145

注: 1. 常规供货为碳素钢材质, 如需要不锈钢、黄铜镀镍材质, 订货时请注明。以上重量是碳素钢材质。
2. 如需接地片和护套, 订货时请注明。
3. 公制螺纹产品标准螺距为1.5mm, 其它螺距可以定制, 订货时请注明。

Note: 1. The regular supply is made of carbon steel. If stainless steel or brass nickel-plated materials are required, please specify when ordering. The above weight is made of carbon steel.
2. If the grounding lug and sheath are needed, please specify when ordering.
3. The standard pitch of metric thread products is 1.5mm, other pitches can be customized, please specify when ordering.



CN970-IV
系列电缆引入装置
(Ex db IIC Ex eb IIC)
铠装双密封

CN970-IV
Series cable entry device
(Ex bd IIC Ex eb IIC)Armored double seal

IIC/Ex tb



电缆布线
Cable wiring



钢管布线
Steel pipe wiring

产品概述 Product overview

- ◆ 防爆性能符合
 - CENELEC标准
 - IEC标准
 - NEC标准
- ◆ 适用于
 - 1区和2区
 - 21区和22区
 - II类, 1区和2区
 - II类, 1区, 气体组别 A, B, C, D
- ◆ 隔爆型、增安型防爆结构, 不锈钢、黄铜镀镍、碳素钢表面镀锌处理三种材质。
- ◆ 双密封结构, 适用于铠装和非铠装电缆。
- ◆ Explosion-proof performance conforms to
 - CENELEC standard
 - IEC standard
 - NEC standard
- ◆ Suitable for
 - Zone 1 and Zone 2
 - Zone 21 and 22
 - Class II, Zone 1 and Zone 2
 - Class II, zone 1, gas group A, B, C, D
- ◆ Flameproof,increased-safety explosion-proof structure, stainless steel, brass nickel plated, carbon steel surface galvanized treatment of three materials.
- ◆ Double-sealed structure, suitable for armored and non-armored cables.

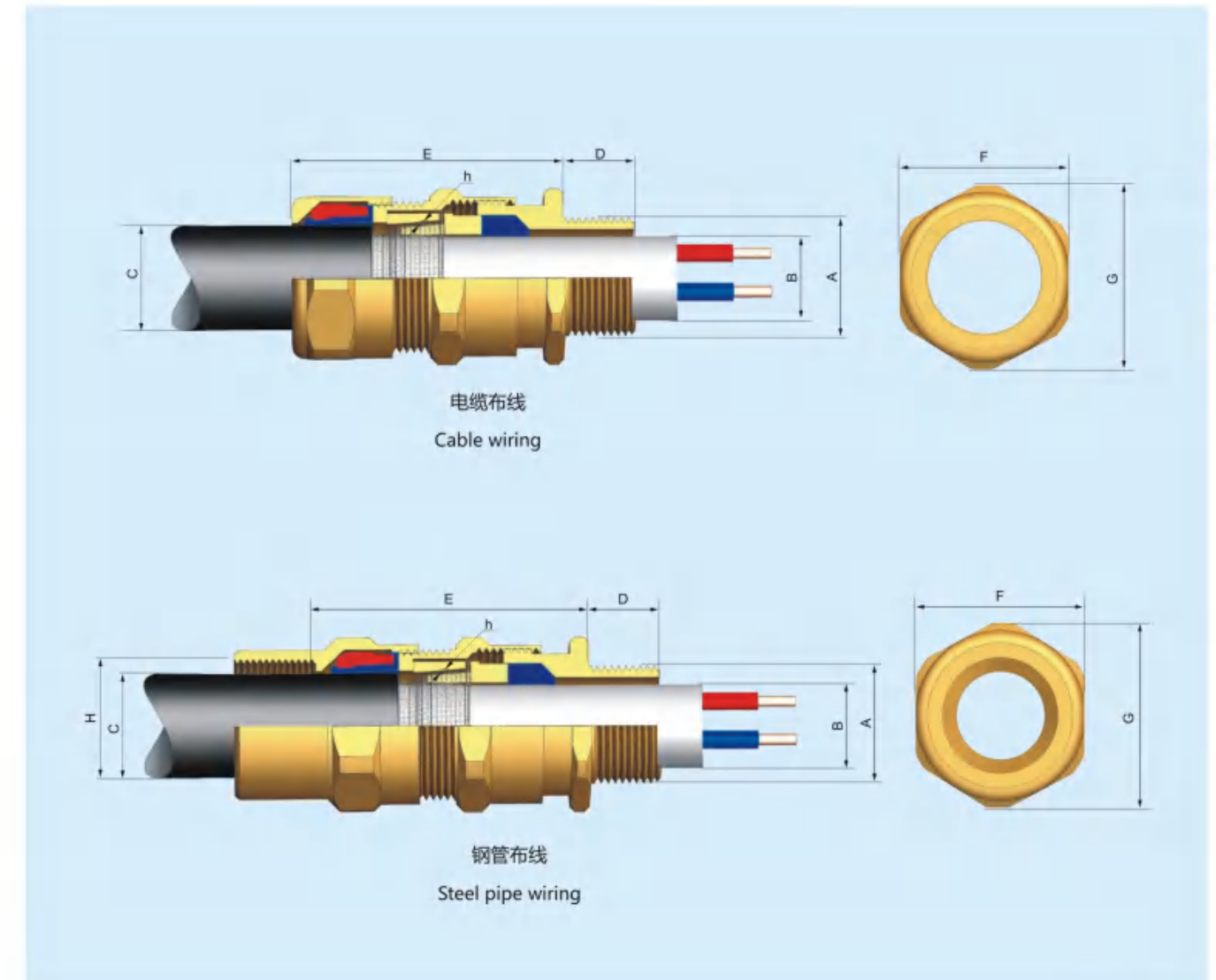
1区& 2区; 21区& 22区

zone1, zone2, zone21, zone22

CN970-IV 系列电缆引入装置 (Ex db IIC Ex eb IIC)铠装双密封
CN970-IV Series cable entry device(Ex db IIC Ex eb IIC)Armored double seal

技术参数 Technical parameter

电缆引入装置 Cable entry device	CN970-IV (铠装双密封) CN970-IV (Armored double seal)
防爆型式 Explosion proof type	Ex db IIC Gb Ex eb IIC Gb
气体防爆型式 Gas explosion proof type	Ex db IIC Gb Ex eb IIC Gb
粉尘防爆型式 Dust explosion proof type	Ex tb IIC Db
执行标准 Executive standard	GB/T 3836.1,GB/T 3836.2,GB/T 3836.3,GB/T 3836.31; EN 60079-0,EN 60079-1, EN 60079-7,EN 60079-31,IEC 60079-0,IEC 60079-1,IEC 60079-7,IEC 60079-31
材质 Material	不锈钢、黄铜镀镍、碳素钢表面镀锌处理等三种 Stainless steel, nickel-plated brass, and zinc-plated carbon steel surface
防护等级 Protection level	IP65、IP66
周围环境温度 Ambient temperature	-60°C~+100°C
连接螺纹 Connection thread	常规供货为管螺纹(G), 如有特殊要求, 例如公制螺纹(M)、NPT螺纹, 订货时请注明。 Regular supply is pipe thread (G), if you have special requirements, such as metric thread (M), NPT thread, please specify when ordering.





G 电缆布线选型表 Cable routing selection table

尺寸 Size	入口螺纹 "A" Inlet thread "A"			电缆外径 B (mm) Cable outer diameter B				电缆外径 C (mm) Cable outer diameter C		螺纹最小 长度D (mm) Minimum thread length D	外露长度 E (mm) Exposed length E	对边尺寸 F (mm) Opposite size F	对角尺寸 G (mm) Diagonal size G	铠装层 厚度范围 h (mm) Armor layer Thickness range h
				标准密封圈 Standard seal		可选密封圈 Optional sealing ring								
	公制 Metric	NPT	G	Min	Max	Min	Max	Min	Max					
20A	M20	1/2"	1/2"	4.0	8.0	—	—	5.5	12.0	15	59	28	31	0.3~1.0
20B	M20	1/2"	1/2"	6.5	10.5	—	—	9.5	16.0	15	59	28	31	0.3~1.0
20C	M20	1/2"	1/2"	10	14.5	8.5	13.0	12.5	20.5	15	61	34	37	0.3~1.0
25A	M25	3/4"	3/4"	6.5	10.5	—	—	9.5	16.0	15	59	34	37	0.3~1.0
25B	M25	3/4"	3/4"	10.0	14.5	8.5	13.0	12.5	20.5	15	61	34	37	0.3~1.0
25C	M25	3/4"	3/4"	12.5	19.5	9.5	15.5	17.0	26.0	15	68	41	45	0.4~1.2
32A	M32	1"	1"	10	14.5	8.5	13.0	12.5	20.5	19	61	41	45	0.4~1.2
32B	M32	1"	1"	12.5	19.5	9.5	15.5	17.0	26.0	19	68	41	45	0.4~1.2
32C	M32	1"	1"	19	25.5	14.5	21.0	22.0	33.0	19	76	49	54	0.4~1.4
40A	M40	1 1/4"	1 1/4"	12.5	19.5	9.5	15.5	17.0	26.0	19	68	49	54	0.4~1.4
40B	M40	1 1/4"	1 1/4"	19.0	25.5	14.5	21.0	22.0	33.0	19	76	49	54	0.6~1.9
40C	M40	1 1/4"	1 1/4"	25.0	32.0	22.0	28.0	28.0	41.0	19	83	60	65	0.6~2.2
50A	M50	1 1/2"	1 1/2"	19.0	25.5	14.5	21.0	22.0	33.0	19	76	60	65	0.6~2.2
50B	M50	1 1/2"	1 1/2"	25.0	32.0	22.0	28.0	28.0	41.0	19	83	60	65	0.8~2.3
50C	M50	1 1/2"	1 1/2"	31.5	39.0	27.5	35.0	36.0	52.5	19	101	72	77	0.8~2.3
63A	M63	2"	2"	25.0	32.0	22.0	28.0	28.0	41.0	19	83	72	77	0.8~2.3
63B	M63	2"	2"	31.5	39.0	27.5	35.0	36.0	52.5	19	101	72	77	0.9~2.4
63C	M63	2"	2"	42.5	50.0	39.0	46.5	46.0	65.0	19	112	86	93	0.9~2.4
75A	M75	2 1/2"	2 1/2"	31.5	39.0	27.5	35.0	36.0	52.5	19	101	84	90	0.9~2.4
75B	M75	2 1/2"	2 1/2"	42.5	55.5	39.0	46.5	46.0	65.0	19	112	86	93	0.9~2.4
75C	M75	2 1/2"	2 1/2"	54.5	64.0	48.5	58.0	57.0	78.0	19	119	102	110	0.9~2.4
90	M90	3"	3"	63.0	75.0	—	—	68.0	88.0	19	121	112	121	0.9~2.4
115	M115	4"	4"	75.0	90.0	—	—	83.0	103.0	19	126	127	137	0.9~2.8

G 钢管布线选型表 Steel pipe wiring selection table

尺寸 Size	入口螺纹 "A" Inlet thread "A"			入口螺纹 "H" Inlet thread "H"			电缆外径 B (mm) Cable outer diameter B				电缆外径 C (mm) Cable outer diameter C		螺纹最小 长度D (mm) Minimum thread length D	外露长度 E (mm) Exposed length E	对边尺寸 F (mm) Opposite size F	对角尺寸 G (mm) Diagonal size G	铠装层 厚度范围 h (mm) Armor layer Thickness range h
							标准密封圈 Standard seal		可选密封圈 Optional sealing ring								
	公制 Metric	NPT	G	公制 Metric	NPT	G	Min	Max	Min	Max	Min	Max					
20A	M20	1/2"	1/2"	M20	1/2"	1/2"	4.0	8.0	—	—	5.5	12.0	15	74	28	31	0.3~1.0
20B	M20	1/2"	1/2"	M20	1/2"	1/2"	6.5	10.5	—	—	9.5	16.0	15	74	28	31	0.3~1.0
20C	M20	1/2"	1/2"	M25	3/4"	3/4"	10	14.5	8.5	13.0	12.5	20.5	15	96	34	37	0.3~1.0
25A	M25	3/4"	3/4"	M20	1/2"	1/2"	6.5	10.5	—	—	9.5	16.0	15	74	34	37	0.3~1.0
25B	M25	3/4"	3/4"	M25	3/4"	3/4"	10.0	14.5	8.5	13.0	12.5	20.5	15	76	34	37	0.3~1.0
25C	M25	3/4"	3/4"	M32	1"	1"	12.5	19.5	9.5	15.5	17.0	26.0	15	83	41	45	0.4~1.2
32A	M32	1"	1"	M25	3/4"	3/4"	10	14.5	8.5	13.0	12.5	20.5	19	76	41	45	0.4~1.2
32B	M32	1"	1"	M32	1"	1"	12.5	19.5	9.5	15.5	17.0	26.0	19	87	41	45	0.4~1.2
32C	M32	1"	1"	M40	1 1/4"	1 1/4"	19	25.5	14.5	21.0	22.0	33.0	19	95	49	54	0.4~1.4
40A	M40	1 1/4"	1 1/4"	M32	1"	1"	12.5	19.5	9.5	15.5	17.0	26.0	19	87	49	54	0.4~1.4
40B	M40	1 1/4"	1 1/4"	M40	1 1/4"	1 1/4"	19.0	25.5	14.5	21.0	22.0	33.0	19	95	49	54	0.6~1.9
40C	M40	1 1/4"	1 1/4"	M50	1 1/2"	1 1/2"	25.0	32.0	22.0	28.0	28.0	41.0	19	103	60	65	0.6~2.2
50A	M50	1 1/2"	1 1/2"	M40	1 1/4"	1 1/4"	19.0	25.5	14.5	21.0	22.0	33.0	19	95	60	65	0.6~2.2
50B	M50	1 1/2"	1 1/2"	M50	1 1/2"	1 1/2"	25.0	32.0	22.0	28.0	28.0	41.0	19	103	60	65	0.8~2.3
50C	M50	1 1/2"	1 1/2"	M63	2"	2"	31.5	39.0	27.5	35.0	36.0	52.5	19	118	72	77	0.8~2.3
63A	M63	2"	2"	M50	1 1/2"	1 1/2"	25.0	32.0	22.0	28.0	28.0	41.0	19	103	72	77	0.8~2.3
63B	M63	2"	2"	M63	2"	2"	31.5	39.0	27.5	35.0	36.0	52.5	19	118	72	77	0.9~2.4
63C	M63	2"	2"	M75	2 1/2"	2 1/2"	42.5	50.0	39.0	46.5	46.0	65.0	19	131	86	93	0.9~2.4
75A	M75	2 1/2"	2 1/2"	M63	2"	2"	31.5	39.0	27.5	35.0	36.0	52.5	19	118	84	90	0.9~2.4
75B	M75	2 1/2"	2 1/2"	M75	2 1/2"	2 1/2"	42.5	55.5	39.0	46.5	46.0	65.0	19	131	86	93	0.9~2.4
75C	M75	2 1/2"	2 1/2"	M90	3"	3"	54.5	64.0	48.5	58.0	57.0	78.0	19	138	102	110	0.9~2.4
90	M90	3"	3"	M115	4"	4"	63.0	75.0	—	—	68.0	88.0	19	140	112	121	0.9~2.4
115	M115	4"	4"	M125	4 1/2"	4 1/2"	75.0	90.0	—	—	83.0	103.0	19	145	127	137	0.9~2.8

- 注: 1. 常规供货为黄铜镀镍材质, 如需要不锈钢、碳素钢材质, 订货时请注明。以上重量是黄铜镀镍材质。
2. 如需接地片和护套, 订货时请注明。
3. 公制螺纹产品标准螺距为1.5mm, 其它螺距可以定制, 订货时请注明。

Note: 1. The regular supply is brass nickel-plated material. If you need stainless steel or carbon steel material, please specify when ordering. The above weight is made of nickel-plated brass.
2. If the grounding lug and sheath are needed, please specify when ordering.
3. The standard pitch of metric thread products is 1.5mm, other pitches can be customized, please specify when ordering.



CN970-V
系列电缆引入装置
(Ex db IIC Ex eb IIC)
非铠装填料密封

CN970-V
Series cable entry device(Ex db
IIC Ex eb IIC)Non-armoured
packing seal

IIC/Ex tb



电缆布线
Cable wiring

钢管布线
Steel pipe wiring

产品概述 Product overview

- ◆ 防爆性能符合
 - CENELEC标准
 - IEC标准
 - NEC标准
- ◆ 适用于
 - 1区和2区
 - 21区和22区
 - II类, 1区和2区
 - II类, 1区, 气体组别 A, B, C, D
- ◆ 隔爆型、增安型防爆结构, 不锈钢、黄铜镀镍、碳素钢表面镀锌处理三种材质。
- ◆ 带密封圈和密封填料; 适用于非铠装电缆。
- ◆ Explosion-proof performance conforms to
 - CENELEC standard
 - IEC standard
 - NEC standard
- ◆ Suitable for
 - Zone 1 and Zone 2
 - Zone 21 and 22
 - Class II, Zone 1 and Zone 2
 - Class II, Zone 1, gas group A, B, C, D
- ◆ Flameproof,increased-safety explosion-proof structure, stainless steel, brass nickel plated, carbon steel surface galvanized treatment of three materials.
- ◆ With sealing ring and sealing packing; suitable for non-armoured cables.

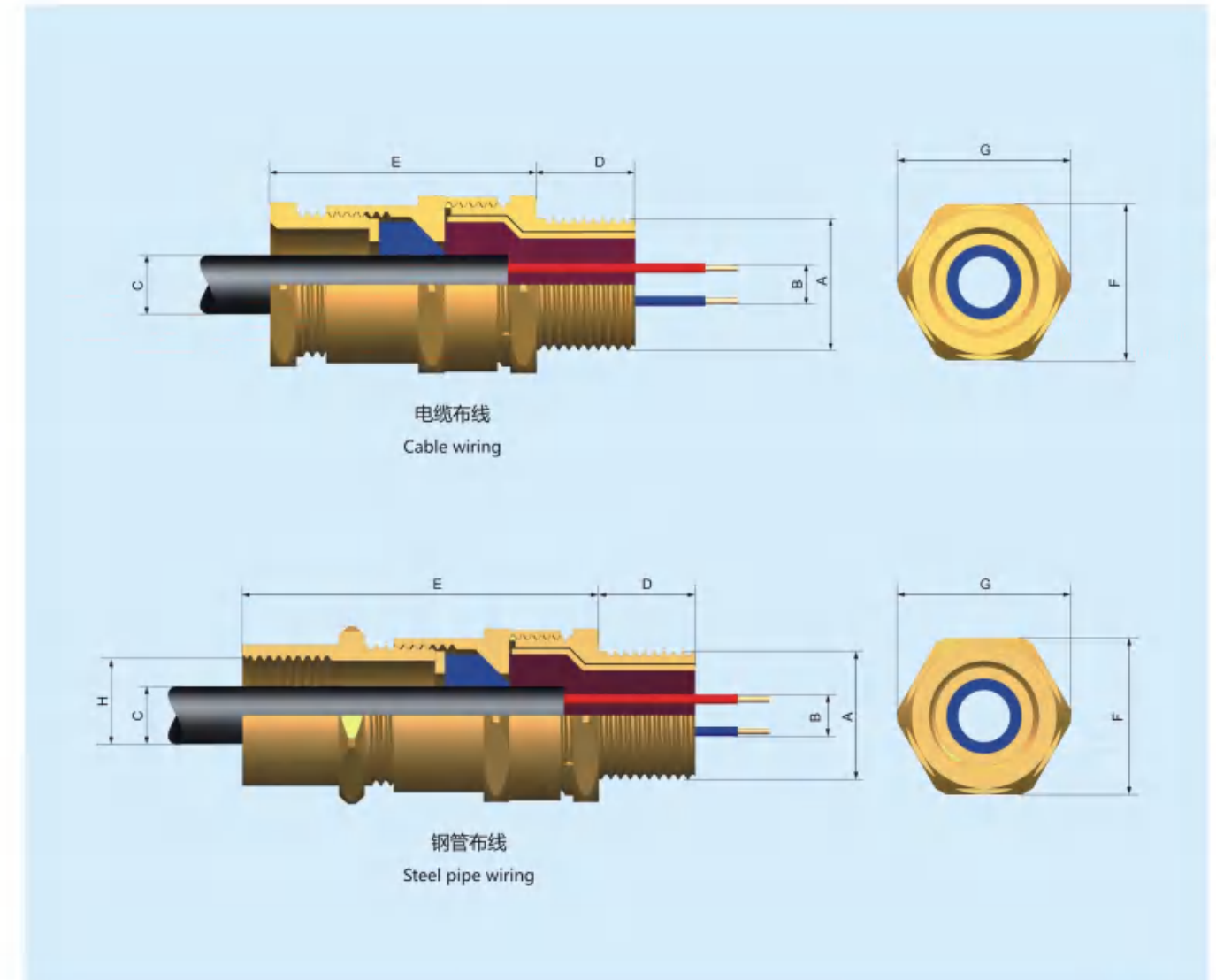
1区& 2区; 21区& 22区

zone1, zone2, zone21, zone22

CN970-V 系列电缆引入装置(Ex db IIC Ex eb IIC)非铠装填料密封
CN970-V Series cable entry device(Ex db IIC Ex eb IIC)Non-armoured packing seal

技术参数 Technical parameter

电缆引入装置 Cable entry device	CN970-V (非铠装填料密封) CN970-V (Non-armoured packing seal)
防爆型式 Explosion proof type	Ex II2G Ex db IIC Gb Ex eb IIC Gb
气体防爆型式 Gas explosion proof type	Ex II2D Ex tb IIIC Db
粉尘防爆型式 Dust explosion proof type	
执行标准 Executive standard	GB/T 3836.1,GB/T 3836.2,GB/T 3836.3,GB/T 3836.31; EN 60079-0,EN 60079-1, EN 60079-7,EN 60079-31,IEC 60079-0,IEC 60079-1,IEC 60079-7,IEC 60079-31
材质 Material	不锈钢、黄铜镀镍、碳素钢表面镀锌处理等三种 Stainless steel, nickel-plated brass, and zinc-plated carbon steel surface
防护等级 Protection level	IP65、IP66
周围环境温度 Ambient temperature	-20°C~+55°C(-60°C~+100°C 可选 Optional)
连接螺纹 Connection thread	常规供货为管螺纹(G), 如有特殊要求, 例如公制螺纹(M)、NPT螺纹, 订货时请注明。 Regular supply is pipe thread (G), if you have special requirements, such as metric thread (M), NPT thread, please specify when ordering.



电缆布线
Cable wiring

钢管布线
Steel pipe wiring



G 电缆布线选型表 Cable routing selection table

尺寸 Size	入口螺纹 "A" Inlet thread "A"			电缆外径B (mm) Cable outer diameter B	电缆外径C (mm) Cable outer diameter C		螺纹最 小长度 D (mm) Minimum thread length D	外露长度 E (mm) Exposed length E	对边尺寸 F (mm) Opposite size F	对角尺寸 G (mm) Diagonal size G
	公制 Metric	NPT	G	Max	Min	Max				
20S	M20	1/2"	1/2"	8	4	9	15	59	27	30
20	M20	1/2"	1/2"	11	7	12	15	59	27	30
25	M25	3/4"	3/4"	16	11	17	15	62	34	37
32	M32	1"	1"	21	15	22	19	70	41	45
40S	M40	1 1/4"	1 1/4"	25	22	27	19	77	51	55
40	M40	1 1/4"	1 1/4"	25	27	32	19	77	51	55
50S	M50	1 1/2"	1 1/2"	31	30	36	19	84	65	70
50	M50	1 1/2"	1 1/2"	31	36	41	19	84	65	70
63	M63	2"	2"	40	36	41	19	86	72	77
75	M75	2 1/2"	2 1/2"	50	30	50	19	143	95	100
90	M90	3"	3"	57	38	57	19	162	110	115
115	M115	4"	4"	80	48	80	19	167	125	130

G 钢管布线选型表 Steel pipe wiring selection table

尺寸 Size	入口螺纹 "A" Inlet thread "A"			标准入口螺纹 "H" Standard inlet thread "H"			电缆外径B (mm) Cable outer diameter B	电缆外径C (mm) Cable outer diameter C		螺纹最小 长度D (mm) Minimum thread lengthD	外露长度 E (mm) Exposed length E	对边尺寸 F (mm) Opposite size F	对角尺寸 G (mm) Diagonal size G
	公制 Metric	NPT	G	公制 Metric	NPT	G	Max	Min	Max				
20S	M20	1/2"	1/2"	M20	1/2"	1/2"	8	4	9	15	75	27	30
20	M20	1/2"	1/2"	M20	1/2"	1/2"	11	7	12	15	75	27	30
25	M25	3/4"	3/4"	M25	3/4"	3/4"	16	11	17	15	75	34	37
32	M32	1"	1"	M32	1"	1"	21	15	22	19	88	41	45
40S	M40	1 1/4"	1 1/4"	M40	1 1/4"	1 1/4"	25	22	27	19	95	51	55
40	M40	1 1/4"	1 1/4"	M40	1 1/4"	1 1/4"	25	27	32	19	95	51	55
50S	M50	1 1/2"	1 1/2"	M50	1 1/2"	1 1/2"	31	30	36	19	102	65	70
50	M50	1 1/2"	1 1/2"	M50	1 1/2"	1 1/2"	31	36	41	19	102	65	70
63	M63	2"	2"	M63	2"	2"	40	36	41	19	104	72	77
75	M75	2 1/2"	2 1/2"	M75	2 1/2"	2 1/2"	50	30	50	19	161	95	100
90	M90	3"	3"	M90	3"	3"	57	38	57	19	180	110	115
115	M115	4"	4"	M115	4"	4"	80	48	80	19	185	125	130

- 注: 1. 常规供货为黄铜镀镍材质, 如需要不锈钢、碳素钢材质, 订货时请注明。以上重量是黄铜镀镍材质。
2. 如需接地片和护套, 订货时请注明。
3. 公制螺纹产品标准螺距为1.5mm, 其它螺距可以定制, 订货时请注明。

Note: 1. The regular supply is brass nickel-plated material. If you need stainless steel or carbon steel material, please specify when ordering. The above weight is made of nickel-plated brass.

2. If the grounding lug and sheath are needed, please specify when ordering.

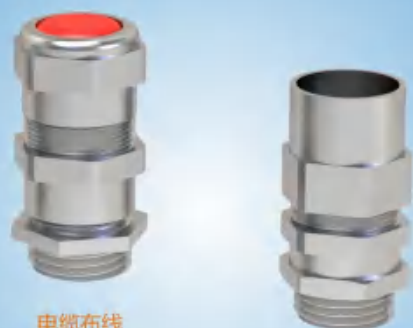
3. The standard pitch of metric thread products is 1.5mm, other pitches can be customized, please specify when ordering.



CN970-VI
系列电缆引入装置
(Ex db IIC Ex eb IIC)
铠装填料密封

CN970-VI
Series cable entry device(Ex db
IIC Ex eb IIC)Armored packing
seal

IIC/Ex tb



电缆布线
Cable wiring

钢管布线
Steel pipe wiring

产品概述 Product overview

- ◆ 防爆性能符合
 - CENELEC标准
 - IEC标准
 - NEC标准
- ◆ 适用于
 - 1区和2区
 - 21区和22区
 - II类, 1区和2区
 - II类, 1区, 气体组别 A, B, C, D
- ◆ 隔爆型、增安型防爆结构, 不锈钢、黄铜镀镍、碳素钢表面镀锌处理三种材质。
- ◆ 带密封圈和密封填料; 适用于铠装电缆。
- ◆ Explosion-proof performance conforms to
 - CENELEC standard
 - IEC standard
 - NEC standard
- ◆ Suitable for
 - Zone 1 and Zone 2
 - Zone 21 and 22
 - Class II, Zone 1 and Zone 2
 - Class II, Zone 1, gas group A, B, C, D
- ◆ Flameproof,increased-safety explosion-proof structure, stainless steel, brass nickel plated, carbon steel surface galvanized treatment of three materials.
- ◆ With sealing ring and sealing packing; suitable for armored cables.

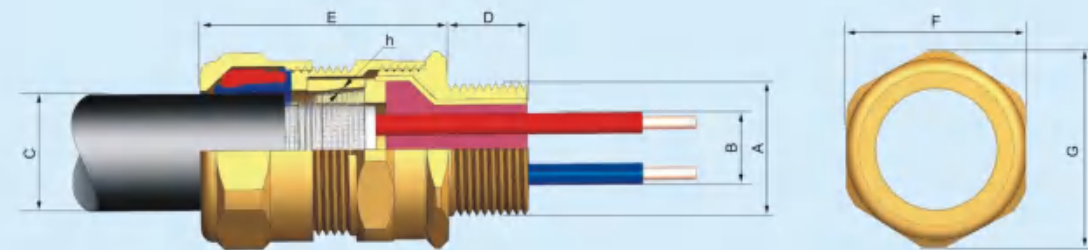
1区& 2区; 21区& 22区

zone1, zone2, zone21, zone22

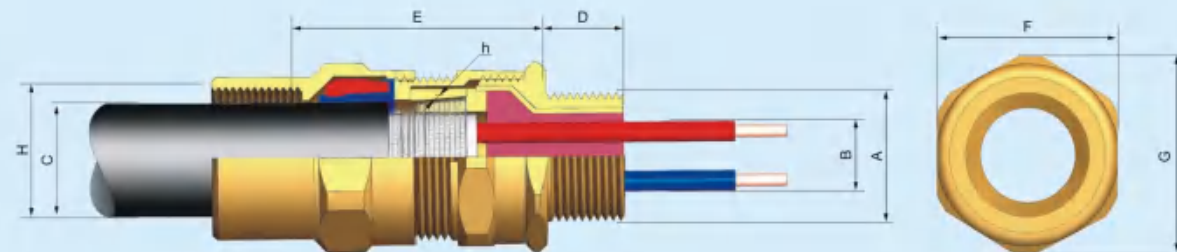
CN970-VI 系列电缆引入装置(Ex db IIC Ex eb IIC)铠装填料密封
CN970-VI Series cable entry device(Ex db IIC Ex eb IIC)Armored packing seal

技术参数 Technical parameter

电缆引入装置 Explosion-proof threading box (cast iron)	CN970-VI (铠装填料密封) CN970-VI (Armored Packing Seal)
防爆型式 Explosion proof type	Ex db IIC Gb Ex eb IIC Gb
气体防爆型式 Gas explosion proof type	Ex db IIC Gb Ex eb IIC Gb
粉尘防爆型式 Dust explosion proof type	Ex tb IIC Db
执行标准 Executive standard	GB/T 3836.1,GB/T 3836.2,GB/T 3836.3,GB/T 3836.31; EN 60079-0,EN 60079-1, EN 60079-7,EN 60079-31,IEC 60079-0,IEC 60079-1,IEC 60079-7,IEC 60079-31
材质 Material	不锈钢、黄铜镀镍、碳素钢表面镀锌处理等三种 Stainless steel, nickel-plated brass, and zinc-plated carbon steel surface
防护等级 Protection level	IP65、IP66
周围环境温度 Ambient temperature	-20°C~+55°C(-60°C~+100°C 可选 Optional)
连接螺纹 Connection thread	常规供货为管螺纹(G), 如有特殊要求, 例如公制螺纹(M)、NPT螺纹, 订货时请注明。 Regular supply is pipe thread (G), if you have special requirements, such as metric thread (M), NPT thread, please specify when ordering.



电缆布线
Cable wiring



钢管布线
Steel pipe wiring



G 电缆布线选型表 Cable routing selection table

尺寸 Size	入口螺纹 "A" Inlet thread "A"			电缆外径B (mm) Cable outer diameter B	电缆外径C (mm) Cable outer diameter C		螺纹最小 长度D (mm) Minimum thread length D	外露长度 E (mm) Exposed length E	对边尺寸 F (mm) Opposite size F	对角尺寸 G (mm) Diagonal size G	铠装层 厚度范围 h (mm) Armor layer thickness range h
	公制 Metric	NPT	G		Max	Min					
20A	M20	1/2"	1/2"	10.0	5.5	12.0	15	51	28	31	0.3~1.0
20B	M20	1/2"	1/2"	10.0	9.5	16.0	15	51	28	31	0.3~1.0
20C	M20	1/2"	1/2"	13.0	12.5	20.5	15	53	34	37	0.3~1.0
25A	M25	3/4"	3/4"	10.0	9.5	16.0	15	51	34	37	0.3~1.0
25B	M25	3/4"	3/4"	13.0	12.5	20.5	15	53	34	37	0.3~1.0
25C	M25	3/4"	3/4"	18.0	17.0	26.0	15	58	41	45	0.4~1.2
32A	M32	1"	1"	13.0	12.5	20.5	19	53	41	45	0.4~1.2
32B	M32	1"	1"	18.0	17.0	26.0	19	58	41	45	0.4~1.2
32C	M32	1"	1"	24.0	22.0	33.0	19	62	49	54	0.4~1.4
40A	M40	1 1/4"	1 1/4"	18.0	17.0	26.0	19	58	49	54	0.4~1.4
40B	M40	1 1/4"	1 1/4"	24.0	22.0	33.0	19	62	49	54	0.6~1.9
40C	M40	1 1/4"	1 1/4"	30.0	28.0	41.0	19	69	60	65	0.6~2.2
50A	M50	1 1/2"	1 1/2"	24.0	22.0	33.0	19	62	60	65	0.6~2.2
50B	M50	1 1/2"	1 1/2"	30.0	28.0	41.0	19	69	60	65	0.8~2.3
50C	M50	1 1/2"	1 1/2"	37.0	36.0	52.5	19	77	72	77	0.8~2.3
63A	M63	2"	2"	30.0	28.0	41.0	19	69	72	77	0.8~2.3
63B	M63	2"	2"	37.0	36.0	52.5	19	77	72	77	0.9~2.4
63C	M63	2"	2"	47.0	46.0	65.0	19	95	86	93	0.9~2.4
75A	M75	2 1/2"	2 1/2"	37.0	36.0	52.5	19	77	84	90	0.9~2.4
75B	M75	2 1/2"	2 1/2"	55.0	46.0	65.0	19	95	86	93	0.9~2.4
75C	M75	2 1/2"	2 1/2"	60.0	57.0	78.0	19	100	102	110	0.9~2.4
90	M90	3"	3"	70.0	68.0	88.0	19	100	112	121	0.9~2.4
115	M115	4"	4"	90.0	83.0	103.0	19	106	127	137	0.9~2.8

G 钢管布线选型表 Steel pipe wiring selection table

尺寸 Size	入口螺纹 "A" Inlet thread "A"			入口螺纹 "H" Inlet thread "H"			电缆外径 B (mm) Cable outer diameter B			电缆外径 C (mm) Cable outer diameter C			螺纹最小 长度D (mm) Minimum thread length D	外露长度 E (mm) Exposed length E	对边尺寸 F (mm) Opposite size F	对角尺寸 G (mm) Diagonal size G	铠装层 厚度范围 h (mm) Armor layer thickness range h
	公制 Metric	NPT	G	公制 Metric	NPT	G	Max	Min	Max	Max	Min	Max					
20A	M20	1/2"	1/2"	M20	1/2"	1/2"	10.0	5.5	12.0	15	66	28	31	0.3~1.0			
20B	M20	1/2"	1/2"	M20	1/2"	1/2"	10.0	9.5	16.0	15	66	28	31	0.3~1.0			
20C	M20	1/2"	1/2"	M25	3/4"	3/4"	13.0	12.5	20.5	15	66	34	37	0.3~1.0			
25A	M25	3/4"	3/4"	M20	1/2"	1/2"	10.0	9.5	16.0	15	66	34	37	0.3~1.0			
25B	M25	3/4"	3/4"	M25	3/4"	3/4"	13.0	12.5	20.5	15	68	34	37	0.3~1.0			
25C	M25	3/4"	3/4"	M32	1"	1"	18.0	17.0	26.0	15	73	41	45	0.4~1.2			
32A	M32	1"	1"	M25	3/4"	3/4"	13.0	12.5	20.5	19	68	41	45	0.4~1.2			
32B	M32	1"	1"	M32	1"	1"	18.0	17.0	26.0	19	77	41	45	0.4~1.2			
32C	M32	1"	1"	M40	1 1/4"	1 1/4"	24.0	22.0	33.0	19	77	49	54	0.4~1.4			
40A	M40	1 1/4"	1 1/4"	M32	1"	1"	18.0	17.0	26.0	19	77	49	54	0.4~1.4			
40B	M40	1 1/4"	1 1/4"	M40	1 1/4"	1 1/4"	24.0	22.0	33.0	19	81	49	54	0.6~1.9			
40C	M40	1 1/4"	1 1/4"	M50	1 1/2"	1 1/2"	30.0	28.0	41.0	19	89	60	65	0.6~2.2			
50A	M50	1 1/2"	1 1/2"	M40	1 1/4"	1 1/4"	24.0	22.0	33.0	19	81	60	65	0.6~2.2			
50B	M50	1 1/2"	1 1/2"	M50	1 1/2"	1 1/2"	30.0	28.0	41.0	19	88	60	65	0.8~2.3			
50C	M50	1 1/2"	1 1/2"	M63	2"	2"	37.0	36.0	52.5	19	97	72	77	0.8~2.3			
63A	M63	2"	2"	M50	1 1/2"	1 1/2"	30.0	28.0	41.0	19	86	72	77	0.8~2.3			
63B	M63	2"	2"	M63	2"	2"	37.0	36.0	52.5	19	97	72	77	0.9~2.4			
63C	M63	2"	2"	M75	2 1/2"	2 1/2"	47.0	46.0	65.0	19	112	86	93	0.9~2.4			
75A	M75	2 1/2"	2 1/2"	M63	2"	2"	37.0	36.0	52.5	19	96	84	90	0.9~2.4			
75B	M75	2 1/2"	2 1/2"	M75	2 1/2"	2 1/2"	55.0	46.0	65.0	19	112	86	93	0.9~2.4			
75C	M75	2 1/2"	2 1/2"	M90	3"	3"	60.0	57.0	78.0	19	119	102	110	0.9~2.4			
90	M90	3"	3"	M115	4"	4"	70.0	68.0	88.0	19	119	112	121	0.9~2.4			
115	M115	4"	4"	M125	4 1/2"	4 1/2"	90.0	83.0	103.0	19	125	127	137	0.9~2.8			

- 注: 1. 常规供货为黄铜镀镍材质, 如需要不锈钢、碳素钢材质, 订货时请注明。以上重量是黄铜镀镍材质。
2. 如需接地片和护套, 订货时请注明。
3. 公制螺纹产品标准螺距为1.5mm, 其它螺距可以定制, 订货时请注明。

Note: 1. The regular supply is brass nickel-plated material. If you need stainless steel or carbon steel material, please specify when ordering. The above weight is made of nickel-plated brass.
2. If the grounding lug and sheath are needed, please specify when ordering.
3. The standard pitch of metric thread products is 1.5mm, other pitches can be customized, please specify when ordering.



附件
Annex



Ex db IIB/Ex tb



C 产品概述 Product overview

- ◆ 防爆性能符合 -CENELEC标准 -IEC标准 -NEC标准
- ◆ 适用于 1区和2区 21区和22区 II类,1区和2区 II类,1区, 气体组别 A, B, C, D II类,2区, 气体组别 A, B, C, D
- ◆ 电缆引入装置附件包括堵轴、丝堵、护套、接地片等，满足壳体和电缆引入装置连接处的各种要求。
- ◆ 例如，CN961-I增安型堵轴用于CN970-I增安型电缆引入装置，封堵增安型壳体的电缆入口。
- ◆ 工程塑料增安型丝堵用于封堵增安型壳体的电缆入口。
- ◆ 铝合金隔爆型丝堵和金属隔爆型丝堵用于封堵隔爆型壳体的电缆入口。
- ◆ 护套用于保护电缆引入装置不受损坏。
- ◆ 接地片用于电缆引入装置和壳体之间，提供接地连接作用。
- ◆ Explosion-proof performance complies with -CENELEC standard -IEC standard -NEC standard
- ◆ Suitable for zone 1 and zone 2 zone 21 and zone 22 class II, zone 1 and zone 2 class II, zone 1, gas group A, B, C, D class II, zone 2, gas group A, B, C, D
- ◆ Accessories for cable entry devices include plugging shafts, wire plugs, sheaths, grounding plates, etc., to meet the connection between the shell and the cable entry device various requirements for the connection.
- ◆ For example, CN961-I increased-safety plugging shaft is used for CN970-I increased-safety cable entry device to plug the electrical cable entry.
- ◆ Engineering plastic increased-safety plug is used to block the cable inlet of the increased-safety shell.
- ◆ Aluminum alloy flameproof plug and metal flameproof plug are used to block the cable inlet of flameproof shell.
- ◆ The sheath is used to protect the cable entry device from damage.
- ◆ The grounding sheet is used between the cable entry device and the shell to provide a ground connection.

1区&2区; 21区&22区

zone1, zone2, zone21, zone22

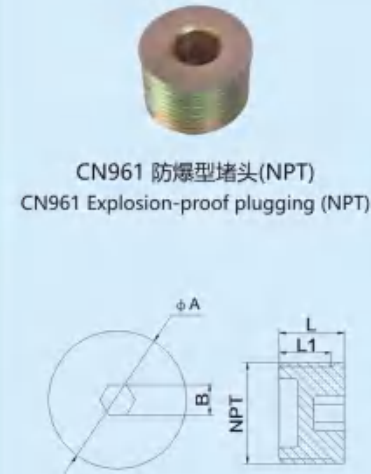
附件
Annex

C CN961-I 增安型堵轴选配表 CN961-I Increased Safety Type Shaft Blocking Optional Table

型号 Model	规格 Specification	尺寸 Size(mm)		
		L	D	d
 CN961-I 增安型堵轴 CN961-I Increased safety type shaft blocking	Φ8 (用于Used for M16 x 1.5, M20 x 1.5)	24	10	7.5
	Φ12 (用于Used for M25 x 1.5, M32 x 1.5)	28	13	11.5
	Φ23 (用于Used for M40 x 1.5)	34	27	23
	Φ32 (用于Used for M50 x 1.5, M63 x 1.5)	34	35	32
材质 Material	工程塑料Engineering plastic			
周围环境温度 Ambient temperature	-40°C ~ +55°C			
功能 Function	适用于CN961-I增安型非铠装电缆引入装置 Suitable for CN961-I increased safety non-armoured cable entry device			

C CN961堵头(Ex db Ex eb)选配表 CN961 Plugging (Ex db Ex eb) optional table

入口螺纹 "NPT" Inlet thread "NPT"	尺寸 Size(mm)			
	A	B	L	L1
NPT	A	B	L	L1
1/2"	22	10	17	15
3/4"	27	10	17	15
1"	34	10	21	19
1 1/4"	43	10	21	19
1 1/2"	49	19	22	19
2"	61	19	23	20
2 1/2"	74	19	32	29
3"	90	19	34	31
4"	115	19	38	34



CN961 防爆型堵头(NPT)
CN961 Explosion-proof plugging (NPT)



G CN961堵头(Ex db Ex eb)选配表 CN961 Plugging (Ex db Ex eb) optional table

防爆型式 Explosion-proof type	II2G Ex db IIC Gb II2G Ex eb IIC Gb II2D Ex tb IIIC Db
防护等级 Protection level	IP68
周围环境温度 Ambient temperature	-60°C ~ +100°C
材质 Material	无铜铝、碳素钢镀锌、黄铜镀镍、不锈钢。 Copper-free aluminum, carbon steel galvanized, brass nickel-plated, stainless steel.
功能说明 Function description	常规螺纹为管螺纹(G); 需要公制螺纹(M)、NPT螺纹(NPT)均可生产, 订货时注明。 用于防爆设备的备用引入口; 具有防水防腐性能; 出厂时配密封垫(NPT螺纹不配)。 Regular thread is pipe thread (G); Metric thread (M) and NPT thread (NPT) can be produced, please specify when ordering. Spare inlet for explosion-proof equipment; with waterproof and anti-corrosion performance; 注: 1. 订货时请注明所需材质。以上重量为黄铜镀镍材质的。 2. 公制螺纹产品标准螺距为1.5mm, 其它螺距可以定制, 订货时请注明。 Note: 1. Please specify the required material when ordering. The above weight is made of nickel-plated brass. 2. The standard pitch of metric thread products is 1.5mm, other pitches can be customized, please specify when ordering.



CN961防爆型堵头
CN961 Explosion-proof plugging



CN961防爆型堵头
CN961 Explosion-proof plugging

CN961堵头(无铜铝) CN961 Plugging (no copper and aluminum)		入口螺纹 "H" Inlet thread "H"						尺寸 Size(mm)	
公制 Metric	NPT	G	A	S	L	L1			
M20	1/2"	1/2"	30	8	22	17			
M25	3/4"	3/4"	36	8	21	17			
M32	1"	1"	45	10	26	20			
M40	1 1/4"	1 1/4"	54	10	26	20			
M50	1 1/2"	1 1/2"	62	10	26	20			
M63	2"	2"	77	10	26	20			

CN961堵头(碳素钢镀锌、黄铜镀镍、不锈钢) CN961 Plugging (carbon steel galvanized, brass nickel-plated, stainless steel)		入口螺纹 "G" Inlet thread "G"						尺寸 Size(mm)	
公制 Metric	G	A	S	L	L1				
M20	1/2"	30	27	22	17				
M25	3/4"	36	32	22	17				
M32	1"	42	38	26	20				
M40	1 1/4"	52	47	26	20				
M50	1 1/2"	60	55	26	20				
M63	2"	70	66	30	22				
M75	2 1/2"	88	83	30	22				
M90	3"	100	95	32	24				
M115	4"	127	122	32	24				

G 堵头选配表 (Ex eb, 工程塑料) Plugging option table (Ex eb, engineering plastic)

型号 Model	规格(ΦA, mm) Specification	尺寸 Size(mm)		
		M	L1	L2
CN961-eb 增安型堵头(工程塑料) CN961-eb Increased safety plugging (engineering plastic)	M16 x 1.5	M16 x 1.5	19	15
	M20 x 1.5	M20 x 1.5	24	15
	M25 x 1.5	M25 x 1.5	29	15
	M32 x 1.5	M32 x 1.5	41	15
	M40 x 1.5	M40 x 1.5	50	15
	M50 x 1.5	M50 x 1.5	57	15
	M63 x 1.5	M63 x 1.5	70	15

防爆型式 Explosion-proof type	II2G Ex eb IIC Gb II2D Ex tb IIIC Db
防护等级 Protection level	IP68
周围环境温度 Ambient temperature	-40°C ~ +70°C
材质 Material	PA66(尼龙Nylon)
功能 Function	适用于防爆设备的备用引入口上; 采用工程塑料压制而成; 具有很强的防水防腐性能。常规螺纹为管螺纹(G), 出厂时配密封垫。 It is suitable for the spare inlet of explosion-proof equipment; it is made of engineering plastics; it has strong waterproof and anti-corrosion properties. The conventional thread is the pipe thread (G), and it is equipped with a gasket when it leaves the factory. 备注: 该配件应与锁紧螺母配套使用。 Note: This accessory should be used in conjunction with the lock nut.

G CN963锁母选配表 CN963 Lock female matching table

型号 Model	标准入口螺纹 "H" Standard inlet thread "H"			尺寸 Size(mm)		
	公制 Metric	NPT	G	A	B	L
CN963锁母 CN963 Lock mother	M16	—	—	22	19	3.5
	M20	1/2"	1/2"	27	24	3
	M25	3/4"	3/4"	36	32	4
	M32	1"	1"	42	38	5
	M40	1 1/4"	1 1/4"	51	46	6
	M50	1 1/2"	1 1/2"	60	55	6
	M63	2"	2"	75	70	6
	M75	2 1/2"	2 1/2"	90	85	6
	M90	3"	3"	105	100	8
	M115	4"	4"	130	125	8

材质 Material:	碳素钢镀锌, 黄铜镀镍, 不锈钢 Carbon steel zinc plated, brass nickel plated, stainless steel
功能 Function:	将格兰锁紧在设备上 Lock the Gland on the device
注: 1. 常规螺纹为管螺纹(G); 需要公制螺纹(M), NPT螺纹(NPT)均可生产, 订货时注明。以上重量为碳钢材质的。 2. 公制螺纹产品标准螺距为1.5mm, 其它螺距可以定制, 订货时请注明。 Note: 1. The conventional thread is pipe thread (G); metric thread (M) is required, and NPT thread (NPT) can be produced, please specify when ordering. The above weights are for carbon steel. 2. The standard pitch of metric thread products is 1.5mm, other pitches can be customized, please specify when ordering.	



G CN965护套选配表 CN965 Sheath selection table

型号 Model	规格 Specification	尺寸 Size(mm)			For					
		B	L	L1	CN965-I		CN965-II		CN965-III	
					金属非铠装 Metal non-armoured	金属铠装 Metal armor	非铠装单密封 Non-armoured single seal	铠装双密封 Armoured double seal	非铠装填料密封 Non-armoured packing seal	铠装填料密封 Armoured packing seal
A		27	168	120	—	—	—	M20A/M20B	M20S/M20	M20A/M20B
B		28	103	55	M20	M20A/M20B	—	—	—	—
C		33	116	55	M25	M20C/M25A/ M25B	M20	M20C/M25A/ M25B	—	M20C/M25A/ M25B
D		36	185	120	—	—	—	—	M25	—
E		41	189	120	M32	M25C/M32A/ M32B	M25	M25C/M32A/ M32B	M32	M25C/M32A/ M32B
F		42	139	65	—	—	M32	—	—	—
G		50	225	140	M40	M32C/M40A/ M40B	M40	M32C/M40A/ M40B	M40S/M40	M32C/M40A/ M40B
H		60	253	150	M50	M40C/M50A/ M50B	M50	M40C/M50A/ M50B	—	M40C/M50A/ M50B
I		68	253	150	M63	—	—	—	M50S/M50	—
J		75	286	155	M75	M50C/M63A/ M63B	M63	M50C/M63A/ M63B	M63	M50C/M63A/ M63B
K		90	320	175	—	M63C/M75A/ M75B	—	M63C/M75A/ M75B	M75	M63C/M75A/ M75B
L		105	358	185	—	M75C	M75	M75C	—	M75C
M		115	407	200	—	M90	M90	M90	M90	M90
N		130	407	200	—	M115	—	M115	M115	M115
O		140	436	210	—	—	M115	—	—	—

材质 Material: 硅橡胶(VMQ) Silicone rubber (VMQ)
功能 Function: 当要求额外的环境和防腐保护时, 适用安装在格兰上
When additional environmental and anti-corrosion protection is required, it is suitable for installation on the gland

G CN966(H) 防爆排水阀(呼吸阀) CN966(H) Explosion-proof drain valve (breathing valve)

	防爆型式 Explosion-proof type 执行标准 Executive standard	II2G Ex db IIC Gb EN 60079-0, EN 60079-1 IEC 60079-0, IEC 60079-1
	材质 Material 螺纹规格 Thread specification 周围环境温度 Ambient temperature	316不锈钢 Stainless steel M20×1.5 -60°C~+150°C

G 密封垫选配表 Gasket selection table

型号 Model	规格 Specification	尺寸 Size(mm)		
		D	d	t
	用于Used for M20 x 1.5	28.5	20.5	1.5
	用于Used for M25 x 1.5	36.5	25.5	1.5
	用于Used for M32 x 1.5	42.5	32.5	1.5
	用于Used for M40 x 1.5	50.5	40.5	1.5
	用于Used for M50 x 1.5	61.5	50.5	1.5
	用于Used for M63 x 1.5	76	63.5	1.5
	用于Used for M75 x 1.5	87.5	75.5	1.5
	用于Used for M90 x 1.5	115	90.5	1.5
	用于Used for M115 x 1.5	135	115.5	1.5

材质 Material: 聚四氟乙烯(PTFE) Polytetrafluoroethylene (PTFE)
功能 Function: 用于格兰入口螺纹上 Used on the gland inlet thread

G 锯齿垫圈选配表 Serrated washer selection table

型号 Model	规格 Specification	尺寸 Size(mm)		
		D	d	s
	用于Used for M20 x 1.5	33	21	1.5
	用于Used for M25 x 1.5	37	27.5	1.5
	用于Used for M32 x 1.5	45.5	34	1.5
	用于Used for M40 x 1.5	55	42.5	1.5
	用于Used for M50 x 1.5	64.5	50.5	1.5
	用于Used for M63 x 1.5	78	63.5	1.5
	用于Used for M75 x 1.5	92.5	75.5	1.5

材质 Material: 不锈钢 Stainless steel
功能 Function: 用于格兰入口螺纹上 For use on the gland inlet thread

G 接地片选配表 Grounding sheet selection table

型号 Model	规格(ΦA, mm) Specification	额定每秒短路电流(kA) Rated short-circuit current per second(kA)
	20	3.0
	25	4.0
	32	5.4
	40	7.2
	50	10.4
	63	10.4
	75	10.4
	90	10.4
	115	10.4

材质 Material: 黄铜 Brass
功能 Function: 接地连接 Ground connection

G MCCB和MCB操作手柄带挂锁说明 MCCB and MCB operating handles with padlock instructions

型号 Model	描述 Describe	型号 Model	描述 Describe
	MCCB手柄, 金属材质, 可带挂锁, 适合锁梁外径Φ6-Φ8 MCCB handle, metal material, with padlock, Suitable for lock beam outer diameter Φ6-Φ8		MCB手柄, 金属材质, 可带挂锁, 适合锁梁外径Φ3-Φ4.5 MCB handle, metal material, with padlock, Suitable for the outer diameter of the lock beam Φ3-Φ4.5
	MCCB手柄, 塑料材质, 可带挂锁, 适合锁梁外径Φ5.5-Φ8 MCCB handle, plastic material, with padlock, Suitable for lock beam outer diameter Φ5.5-Φ8		MCB手柄, 塑料材质, 可带挂锁, 适合锁梁外径Φ3-Φ6.5 MCB handle, plastic material, with padlock, Suitable for the outer diameter of the lock beam Φ3-Φ6.5
	常规配置挂锁, 适合于MCCB手柄, 锁梁直径Φ6 Conventional configuration padlock, suitable for MCCB handle, Lock beam diameter Φ6		常规配置挂锁, 适合于MCB手柄, 锁梁直径Φ4 Conventional configuration padlock, suitable for MCB handle, Lock beam diameter Φ4

注: 挂锁常规颜色为红色, 其它颜色可选, 下单需注明。
Note: The normal color of the padlock is red, other colors are optional, and the order needs to be noted.